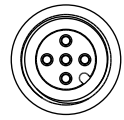
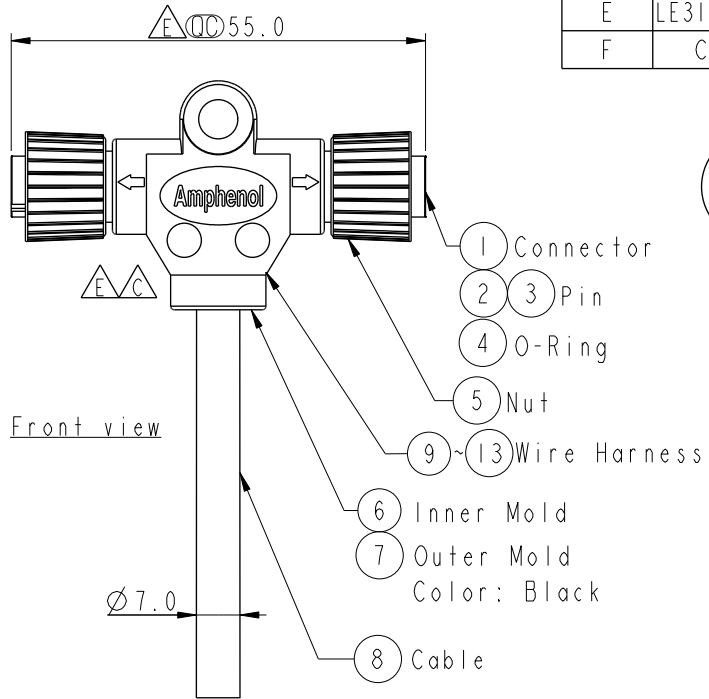


THIS DOCUMENT IS SUBJECT TO CHANGE WITHOUT NOTICE. IT IS CONFIDENTIAL AND A PROPERTY OF Amphenol LTW. DISCLOSURE TO THIRD PARTY HAS TO BE AUTHORIZED BY Amphenol LTW.

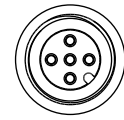
REV.	ECN NO.	DATE	SIGN	DESCRIPTION
D	LEN1640117~120	2016/04/08	Ruru	Modify Line Position
E	LE31720082~085	2017/02/07	Ruru	Change Logo & Outer Mold Design
F	C200912	2020/06/18	Vicky	$\triangle F$ *4



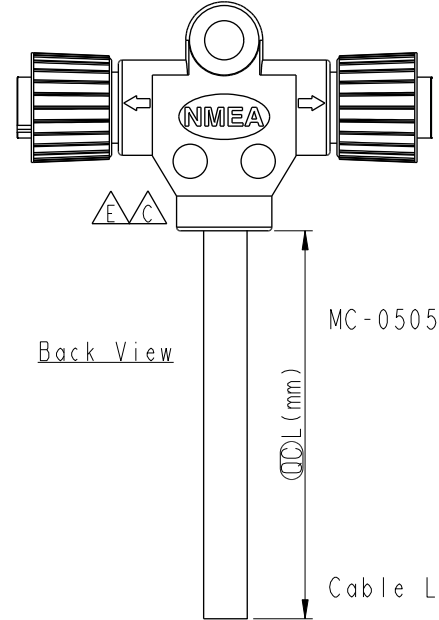
Conn. 1



Front view



Conn. 2

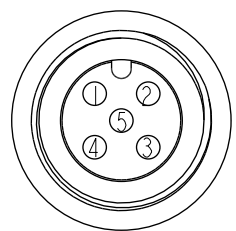


Back View

MC-050500-FF0-TSBXX

\overline{XX} : 01~99Meter
 $\underline{01}$: 01Meter
 $\underline{02}$: 02Meters

 $\underline{99}$: 99Meters
 Cable Length(L): 01~99Meters



Conn. 1&2
Pin Assignment
Front View

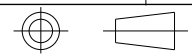
5	Blue (22AWG)藍	5	Blue (22AWG)藍
4	White (22AWG)白	4	White (22AWG)白
3	Black (18AWG)黑	3	Black (18AWG)黑
2	Red (18AWG)紅	2	Red (18AWG)紅
1 $\triangle D$	Green (22AWG)綠	1 $\triangle D$	Drain (22AWG)地線
Conn. 1	Wire Harness	Conn. 2	Cable

Pin Out

Note:

- * $\overline{(\)}$ Important Dimension.
- $\triangle F$ * Waterproof Rate: IP68, Mated
IP68: 1M Depth Of Water In 24hours.
- $\triangle F$ * Connector: Thermoplastic, Black
- * Female Pin: Copper Alloy, Gold Plated
- * Cable: (22#*IP+A)+(18#*IP+A)+Drain+AL.Mylar+Braid, Black
PVC UV Cable OD=7.0mm
- * Wire Harness: UL1007/TR64 22AWG, OD=0.76mm, Green, White, Blue.
- * Wire Harness: UL1007/TR64 18AWG, OD=1.20mm, Red, Black.
- $\triangle C$ $\triangle F$ * Cable Length Tolerance: 01M: +50/-0mm
02M~03M: +100/-0mm
04M~05M: +150/-0mm
06M~10M: ± 100 mm
11M~20M: ± 200 mm
21M~30M: ± 300 mm
31M~99M: ± 500 mm

UNIT:mm



TOLERANCE

± 0.5 mm

TITLE
ACC, NMEA, N-APVD, T ADA W/ CB
FF, 55

SCALE	1:1	SIZE	A4	SHEET	1	OF	1
REV.	F	WC-REV.	A.4	$\overline{(\)}$	Inspection item		

Amphenol LTW

安費諾亮泰企業股份有限公司

ITEM NO	MC-050500-FF0-TSBXX
DWG NO	ALTW
CUSTOMER	

DRAWN BY	Ruru
CHECKED BY	Rita
APPROVED BY	Max

DATE	2017-02-07
DATE	2017-02-07
DATE	2017-02-07

X-ON Electronics

Largest Supplier of Electrical and Electronic Components

Click to view similar products for [Sensor Cables / Actuator Cables](#) category:

Click to view products by [Amphenol](#) manufacturer:

Other Similar products are found below :

[60963](#) [60964](#) [M83513/19-F01CP](#) [703000D02F2002](#) [703001D02F0602](#) [703001D02F300](#) [704000D02F120](#) [773032K02F030](#) [802027107404-1](#)
[802027213811-1](#) [804001A09M150](#) [805001A09M0502](#) [84914-0235](#) [84914-0237](#) [885030A09M020](#) [8R4J30E03C3003](#) [1200651332](#)
[1200651713](#) [1200660844](#) [1200660845](#) [1200661173](#) [1200680071](#) [1200720053](#) [1200720081](#) [1200720099](#) [1200720217](#) [1200800231](#)
[1200860125](#) [1200870123](#) [1200980102](#) [1200650267](#) [1200650298](#) [1200660183](#) [1200660782](#) [1200660849](#) [1200661295](#) [1200661297](#)
[1200661342](#) [1200661343](#) [1200670080](#) [1200670220](#) [1200680331](#) [1200720252](#) [1200730184](#) [1200860344](#) [1200870359](#) [1200870643](#)
[1200980008](#) [1200980031](#) [1210502211](#)