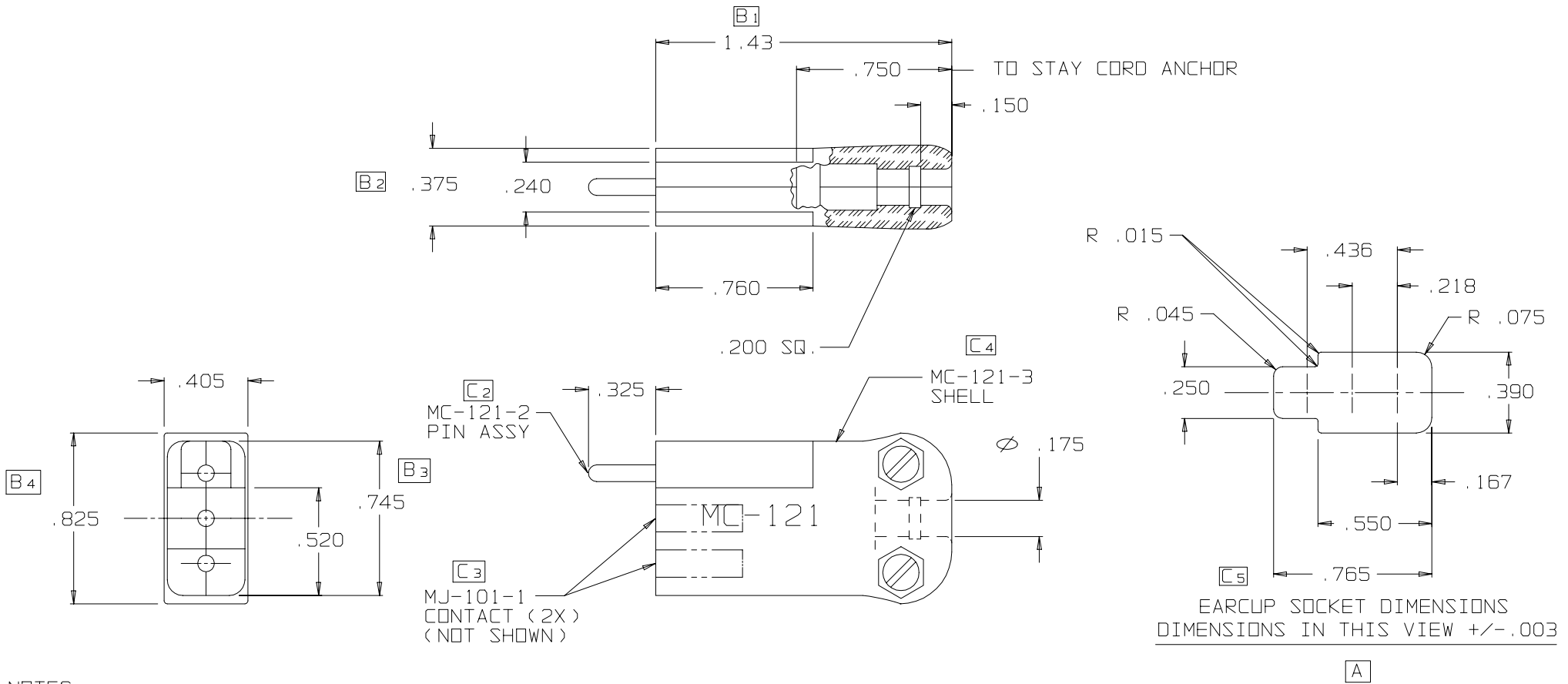


B MC-121



NOTES

1. MATERIALS:
 SHELL - NYLON ZYTEL 101
 SCREWS - STAINLESS STEEL
 SPRINGWASHERS - STAINLESS STEEL
 NUTS - STAINLESS STEEL
 JACK CONTACTS - BeCu C17200
 PIN CONTACT - BeCu C17300

THIS DOCUMENT CONTAINS PROPRIETARY INFORMATION OF NEXUS, INCORPORATED AND SUCH INFORMATION MAY NOT BE DISCLOSED TO OTHERS FOR ANY PURPOSE OR USED FOR ANY PURPOSE WITHOUT THE WRITTEN CONSENT OF NEXUS.

C	5) ADDED "SOCKET"	0180	7/13/95		DWN. BY M.N.F.	DATE 5/17/95	MATERIAL SEE NOTE 1	
	4) .825 WAS .835 3) .745 WAS .750 2) .375 WAS .380 1) 1.43 WAS 1.45				CHECKED BY L. SMITH	DATE 5/17/95	FINISH _____	
B		0127	5/2/94	L.S.	APPR. BY L. SMITH	DATE 5/17/95	WEIGHT _____	SCALE 2:1
A	VIEW ADDED		2/18/94	F	UNLESS OTHERWISE SPECIFIED DIMENSIONS ARE IN INCHES TOLERANCES ON FRACTIONS DECIMALS ANGLES _____ +/- .005 _____			TITLE MICROPHONE CONNECTOR
LET.	REVISION	CN #	DATE	CHK.	DO NOT SCALE DWG.		SHEET 1 OF 1	NEXUS STAMFORD, CONN SIZE B DWG. NO. MC-121

X-ON Electronics

Largest Supplier of Electrical and Electronic Components

Click to view similar products for [Phone Connectors](#) category:

Click to view products by [Amphenol](#) manufacturer:

Other Similar products are found below :

[M444B](#) [6J1041A](#) [R4F](#) [E12BPKG](#) [ECP4PKG](#) [161-3502L-E](#) [MT333X](#) [171-0350-EX](#) [171-101A-EX](#) [171-3325-EX](#) [176S](#) [NC3MG-V](#)
[NYS228G](#) [P10834](#) [P2380](#) [P2381X](#) [P2411X](#) [P2412](#) [P2724](#) [JM2PB-AU BULK](#) [9144](#) [S2674](#) [280L](#) [163-156N-2-E](#) [163-158N-2-E](#) [171-3308-](#)
[EX](#) [171-3500-E](#) [2501FT](#) [CMT335](#) [M10662](#) [330Q](#) [RJ5VI-S](#) [40116](#) [TM1R-AU](#) [TM2PBMJ-AU](#) [TM2PJ-AU](#) [TM2PJ-AU BULK](#) [4803.1351](#)
[49201](#) [49205](#) [TS3PBJ-AU](#) [TS3PBMJ-AU](#) [TT32BX](#) [54B](#) [40112](#) [40205](#) [XMT332B](#) [52170017-331](#) [570](#) [NM3](#)