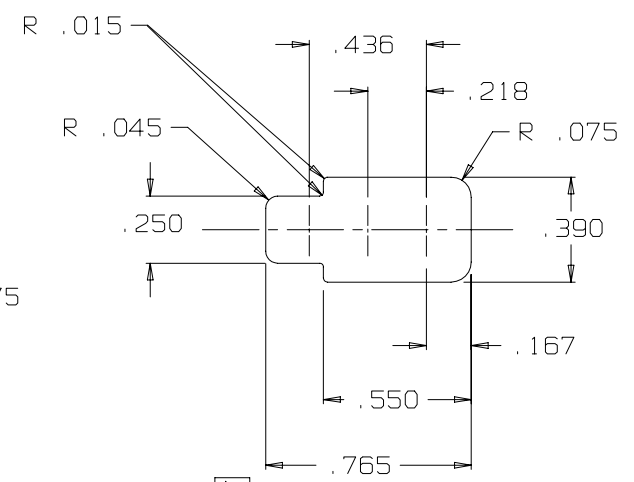
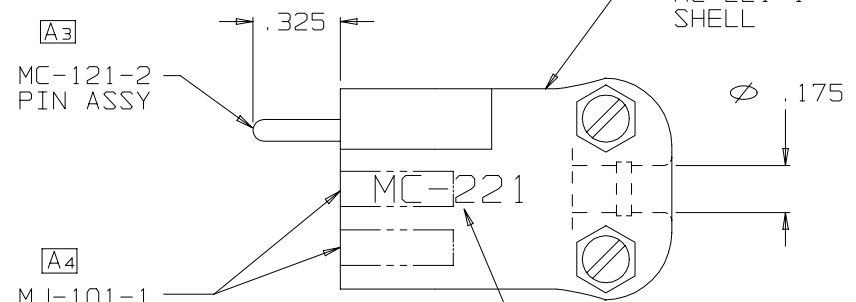
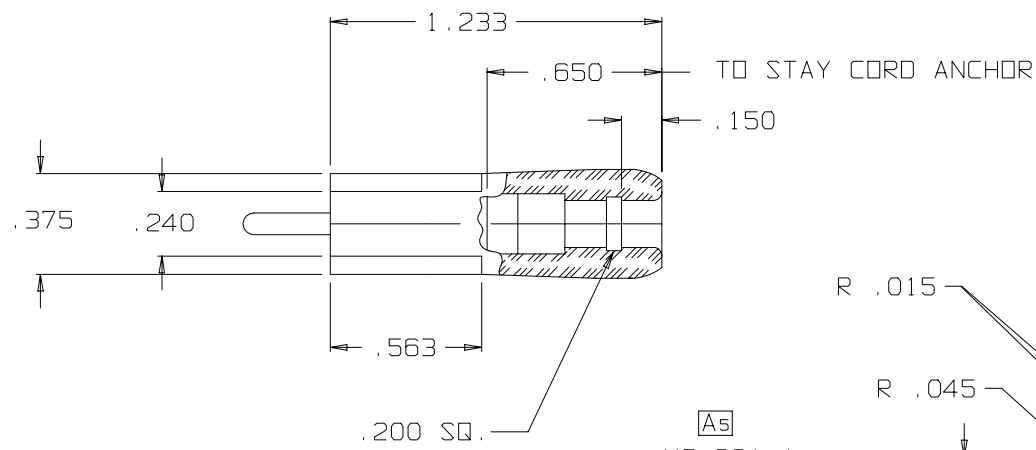
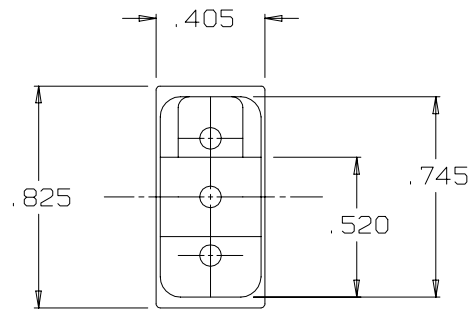
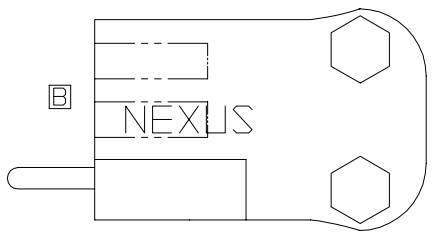


B MC-221



A6
EARCUP SOCKET DIMENSIONS
DIMENSIONS IN THIS VIEW +/- .003

NOTES

1. MATERIALS:
 SHELL - ZYTEL SUPERTOUGH ST801 NYLON
 SCREWS - STAINLESS STEEL
 SPRINGWASHERS - STAINLESS STEEL
 NUTS - STAINLESS STEEL
 JACK CONTACTS - BeCu C17200
 PIN CONTACT - BeCu C17300

B MARKING .093 HIGH RISED .005 APPROX. AS SHOWN, 2 PLACES

THIS DOCUMENT CONTAINS PROPRIETARY INFORMATION OF NEXUS, INCORPORATED AND SUCH INFORMATION MAY NOT BE DISCLOSED TO OTHERS FOR ANY PURPOSE OR USED FOR ANY PURPOSE WITHOUT THE WRITTEN CONSENT OF NEXUS.

LET.	REVISION	CN #	DATE	CHK.
B	ADDED MARKING	0183	7/21/95	
A	6) ADDED "SOCKET" 5) ADDED MC-221-1 4) ADDED MJ-101-1 3) ADDED MC-121-2 2) WAS SPING STEEL 1) WAS NYLON 101	0179	7/13/95	

DWN. BY M.N.F.	DATE 7/6/95	MATERIAL SEE NOTE 1	
CHECKED BY L. SMITH	DATE 7/13/95	FINISH	SCALE 2:1
APPR. BY L. SMITH	DATE 7/13/95	TITLE MICROPHONE CONNECTOR	
UNLESS OTHERWISE SPECIFIED DIMENSIONS ARE IN INCHES TOLERANCES ON FRACTIONS DECIMALS ANGLES		DO NOT SCALE DWG. SHEET 1 OF 1	
		SIZE B	DWG. NO. MC-221

X-ON Electronics

Largest Supplier of Electrical and Electronic Components

Click to view similar products for [Phone Connectors](#) category:

Click to view products by [Amphenol](#) manufacturer:

Other Similar products are found below :

[M444B](#) [6J1041A](#) [R4F](#) [E12BPKG](#) [ECP4PKG](#) [161-3502L-E](#) [MT333X](#) [171-0350-EX](#) [171-101A-EX](#) [171-3325-EX](#) [176S](#) [NC3MG-V](#)
[NYS228G](#) [P10834](#) [P2380](#) [P2381X](#) [P2411X](#) [P2412](#) [P2724](#) [JM2PB-AU BULK](#) [9144](#) [S2674](#) [280L](#) [163-156N-2-E](#) [163-158N-2-E](#) [171-3308-](#)
[EX](#) [171-3500-E](#) [2501FT](#) [CMT335](#) [M10662](#) [330Q](#) [RJ5VI-S](#) [40116](#) [TM1R-AU](#) [TM2PBMJ-AU](#) [TM2PJ-AU](#) [TM2PJ-AU BULK](#) [4803.1351](#)
[49201](#) [49205](#) [TS3PBJ-AU](#) [TS3PBMJ-AU](#) [TT32BX](#) [54B](#) [40112](#) [40205](#) [XMT332B](#) [52170017-331](#) [570](#) [NM3](#)