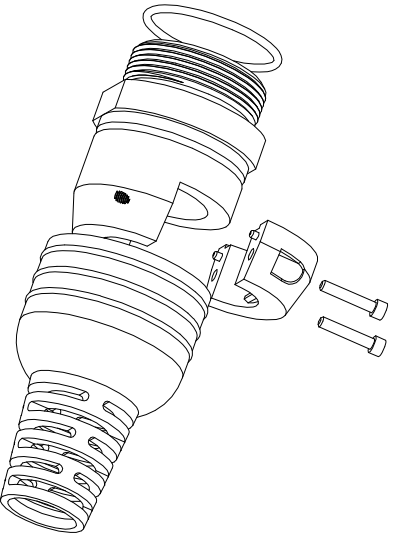
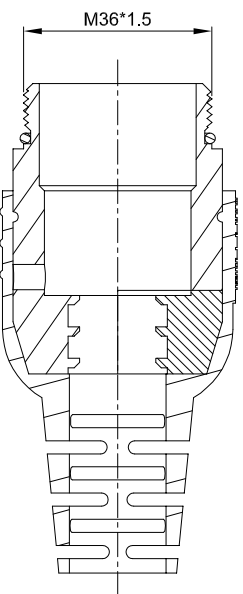
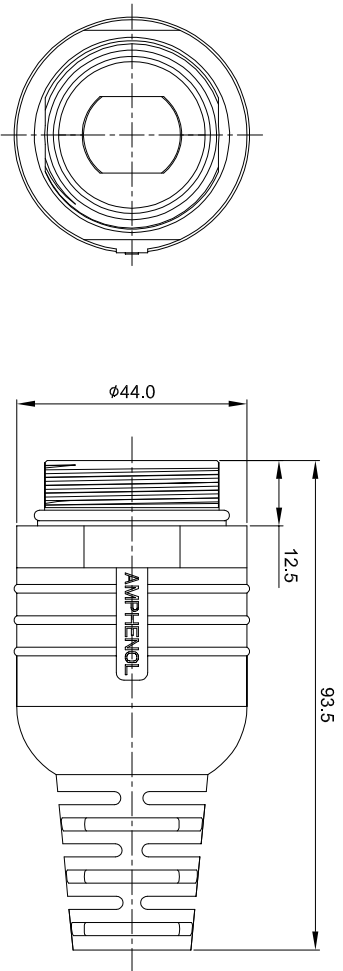


REVISIONS					
REV	ECO	DESCRIPTION	DATE	BY	APPR
A1	-	FIRST RELEASE	May,15,2015	Drack	TOMMY



NOTES: UNLESS OTHERWISE SPECIFIED

- MATERIAL:  
BOOT: THERMOPLASTIC ELASTOMER  
SEAL: VITON  
HOUSING BODY: ZINC DIE CAST, NICKEL PLATED

- SPECIFICATIONS:  
2.1 DEGREE OF PROTECTION: IP67 (MATED CONDITION)  
2.2 RoHS COMPLIANT  
2.3 CABLE OD RANGE:17.5-18.5mm

- ALL DIMENSIONS ARE FOR REFERENCE USE ONLY.

QUANTITY	SEE PART NUMBER CHART	PART NUMBER	DESCRIPTION	ITEM
			<b>MATERIALS LIST</b>	

UNLESS OTHERWISE SPECIFIED		SIGNATURES	DATE
1) All dimensions are in millimeters.	2) Tolerances are as follows:	DRAWN: Daxi	May,15,2015
	1 Pl, DEC 20.30 Fractions ±1/64	CHECKED:	
	3 Pl, DEC 20.48 Angles ±1°	ENGINEER:	
3) Note reference =		APPROVAL:	
MATERIAL SPECIFICATIONS:		CUSTOMER:	

PROCESS SPECIFICATIONS:	THIS DRAWING IS SUPPLIED FOR YOUR USE ONLY. SPECIFICATIONS AND PERFORMANCE DATA SHOWN HEREON ARE THE PROPERTY OF AMPHENOL. REPRODUCTION AND RIGHTS OF REPRODUCTION ARE LIMITED. ALL RIGHTS DIMENSIONS ARE SUBJECT TO NORMAL MANUFACTURING VARIATIONS.	SCALE:	TYPE:	DWG NO.:	REVISION:
NEXT ASSY:		NONE	B C-	MCAFSR-C18.5	A1

**Amphenol**

Site Systems - [www.amphenol-site.com](http://www.amphenol-site.com)  
44724 Mottley Drive  
Clifton Township, MI 48036

M40.CORD.GRIP.17.5-18.5mm

TITLE:

M40.CORD.GRIP.17.5-18.5mm

DWG NO: MCAFSR-C18.5

REV: A1

SH: 1

OF: 1

## X-ON Electronics

Largest Supplier of Electrical and Electronic Components

*Click to view similar products for [Circular Metric Connectors](#) category:*

*Click to view products by [Amphenol](#) manufacturer:*

Other Similar products are found below :

[600X518037X](#) [6STD15PCR99B70A](#) [8R4000A16M020](#) [8R5000A16M005](#) [1200910002](#) [1203580030](#) [1200910008](#) [1200910011](#) [1300140094](#)  
[130203-0054](#) [1300140026](#) [1300150099](#) [1-3637-600-5205](#) [1612618](#) [21036836414](#) [8R4006A16M010](#) [1R3006A20M005](#) [41-40011](#) [42-00006](#)  
[42-01015](#) [4-22279-4](#) [4-22281-1](#) [4-22284-9](#) [43-00113](#) [43-01203](#) [41-40013](#) [42-00008](#) [43-00343](#) [43-01026](#) [43-01162](#) [43-01173](#) [43-10000](#)  
[XS3P-M421-2](#) [600X518050X](#) [8R5006A16M020](#) [8R5006A16M005](#) [8R4000A16M010](#) [6-22279-3](#) [1605332](#) [N03FA03144](#) [1300140077](#) [43-](#)  
[16213](#) [43-01338](#) [XS2RD4265](#) [XS2R-D426-1](#) [XS8A-0441](#) [859RD04-103R004](#) [860RD04-113R004](#) [860RD04-213R004](#) [1-213245-2](#)