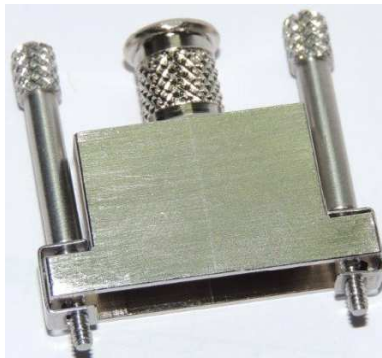
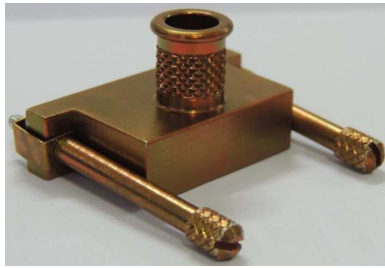


Amphenol

MICRO-D BACKSHELLS



INDEX

CONTENT	PAGE NO.
INTRODUCTION	2
STANDARD EMI BACKSHELL CIRCULAR ENTRY	4-6
STRAIN RELIEF EMI BACKSHELL CIRCULAR ENTRY	7-8
EMI BACKSHELL WITH SHIELD SOCK	9-11
RFI/EMI ELLIPITCAL BANDING BACKSHELL	12-13
HARDWARE DETAIL'S	14
ORDERING INFORMATION	15

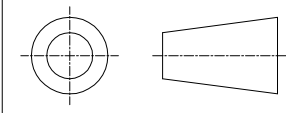
ISSUE NO.	ENG. REF. NO.	DATE	APP. BY
2	-	01/04/14	C&Murke
3	-	20/12/14	C&Murke
4	-	15/01/15	C&Murke

MICRO-D BACKSHELLS FEATURES:-

- MICRO-D ALUMINUM BACKSHELLS FOR STANDARD EMI BACKSHELLS
- THE BACKSHELL ARE AVAILABLE FOR CONNECTORS FROM 9 TO 100 POSITION & ARE AVAILABLE IN STRAIGHT, 45°, DUAL 45°, 90°.
- AVAILABLE IN CIRCULAR & ELLIPITACLE ENTRY SIZES.
- ELLIPITCAL ENTRY BACKSHELLS OFFER GREATER WIRE ACCOMODATION THAN ROUND ENTRY BACKSHELL
- SUPPLED WITH STAINLESS STELL HARDWARE
- THE BACKSHELL ARE MACHINED FROM ALUMINUM ALLOY & ARE OFFER WITH CADMIUM, GOLD OR ELECTROLESS NICKEL FINISH. CUSTOM FINISH ARE ALSO AVAILABLE.

PERFORMANCE:-

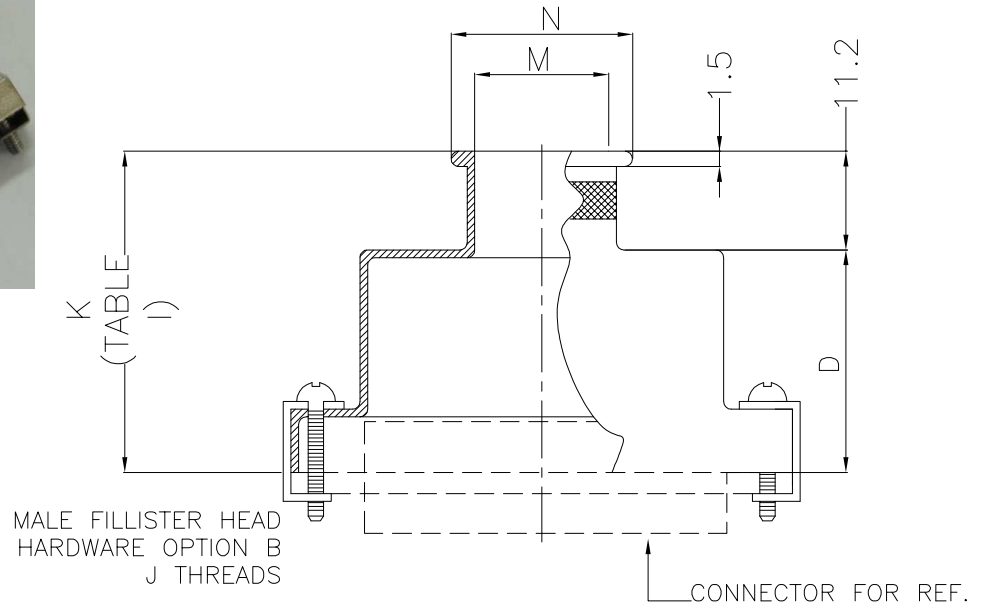
- MAGNETIC PERMEABILITY LESS THAN 2m μ .
- SHIELDING EFFICIENCY, TO 1GHZ, 6db TO>100db.
- VIBRATION (PER MIL-STD-1344 METHOD 2004, CONDITION C) NO DAMAGE OR DISCONTINUTY BETWEEN SHELL & SHIELD.

OF-DEV-03 REL-NO. 03	Amphenol Amphenol Interconnect India Pvt. Ltd. Pune 411026			TITLE MICRO-D EMI BACKSHELLS		
	2013	Name	Date	Dwg. Size	Dwg. No.	
REV-NO. 03	Drawn by	Chandrakant	01/08/13	A4	PSTD-10324	Sheet 3 of 15
	Checked by	C&Murke	19/12/13			
	App. by	C&Murke	19/12/13			

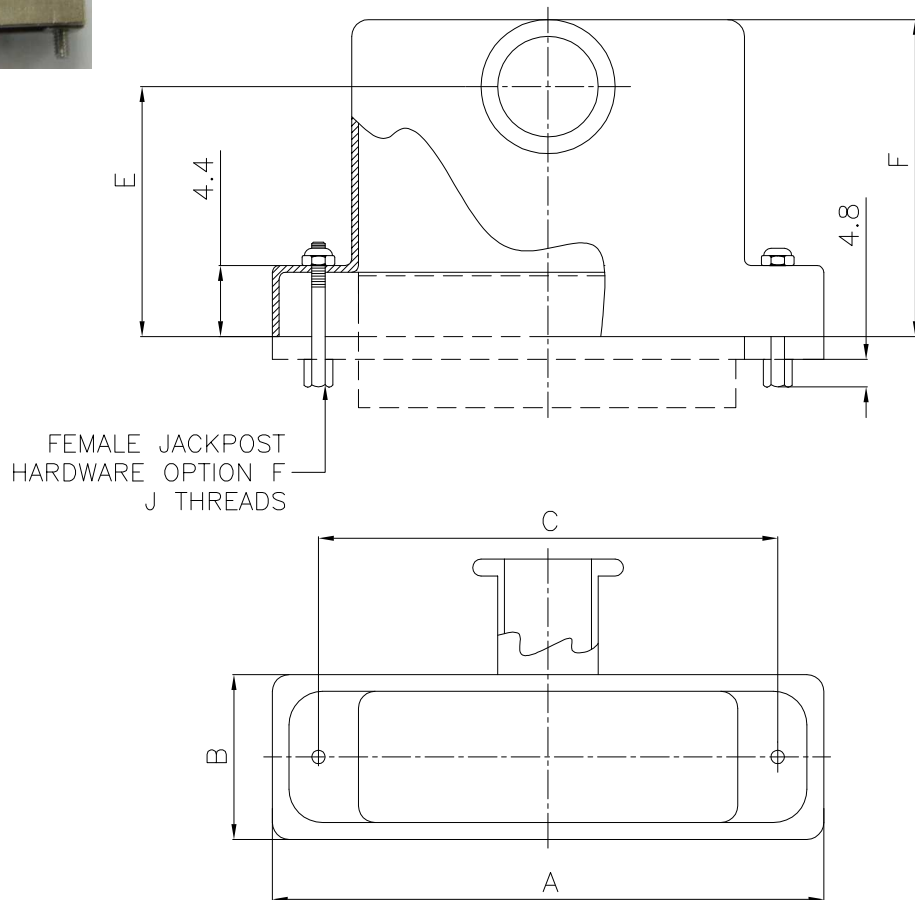
STANDARD EMI BACKSHELL, CIRCULAR ENTRY



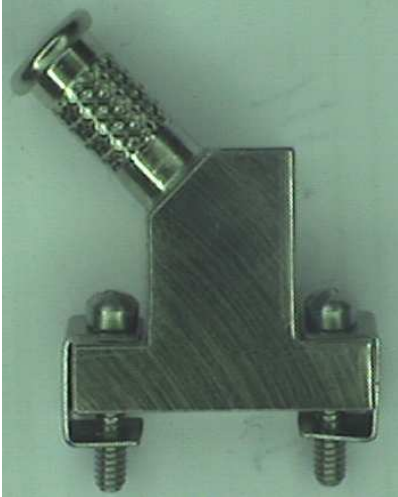
STYLE V - TOP ENTRY



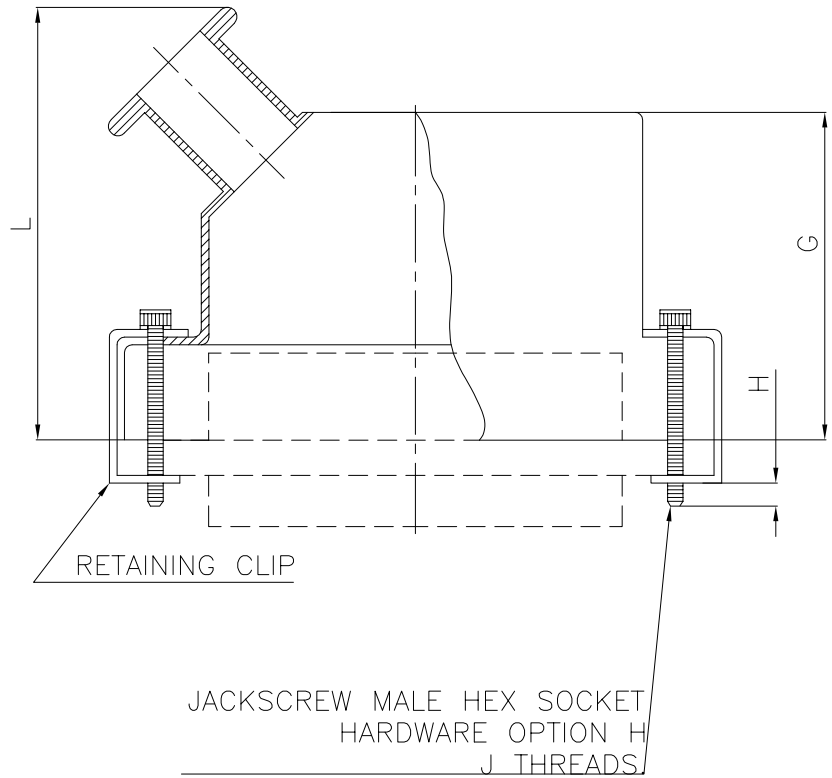
STYLE W - SIDE ENTRY



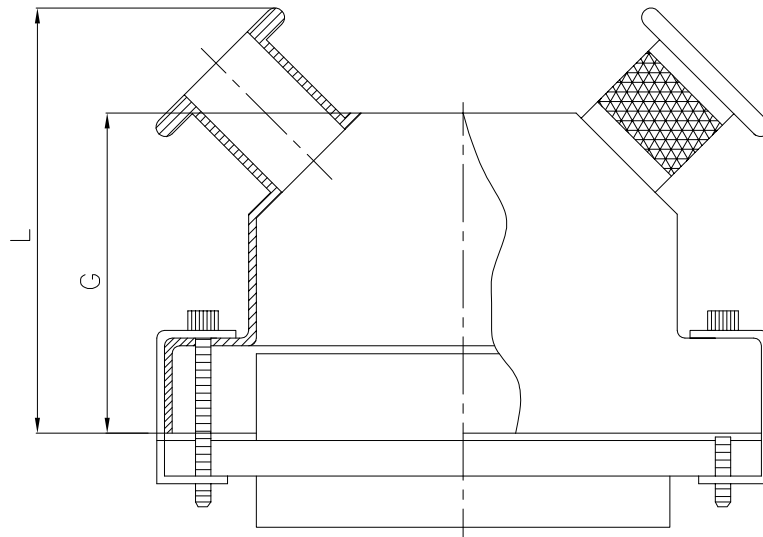
STANDARD EMI BACKSHELL, CIRCULAR ENTRY



STYLE X - 45° ENTRY



STYLE Y - DUAL 45° ENTRY



STANDARD EMI BACKSHELL, CIRCULAR ENTRY

TABLE I

SHELL SIZE	A	B	C	D	E	F	G	H	J	K±0.8	L MAX
9	19.70	9.10	14.40	8.10	11.00	15.40	16.50	3.90	2-56 UNC-2	19.10	25.40
15	23.50	9.10	18.20	11.20	11.20	16.30	17.80	3.90	2-56 UNC-2	22.40	26.20
21	27.30	9.10	22.00	14.20	11.60	17.20	18.70	3.90	2-56 UNC-2	25.40	26.70
25	29.80	9.10	24.50	15.70	12.30	18.20	20.30	3.90	2-56 UNC-2	26.90	27.70
31	33.70	9.10	28.30	17.30	12.10	18.40	21.80	3.90	2-56 UNC-2	28.40	28.70
37	37.50	9.10	32.10	18.30	12.20	18.90	23.50	3.90	2-56 UNC-2	29.50	31.30
51	36.20	10.20	30.90	19.10	13.90	21.10	24.80	3.90	2-56 UNC-2	30.20	31.80
100	54.90	11.40	45.70	20.60	17.40	25.00	26.70	4.90	4-40 UNC-2	31.80	33.50

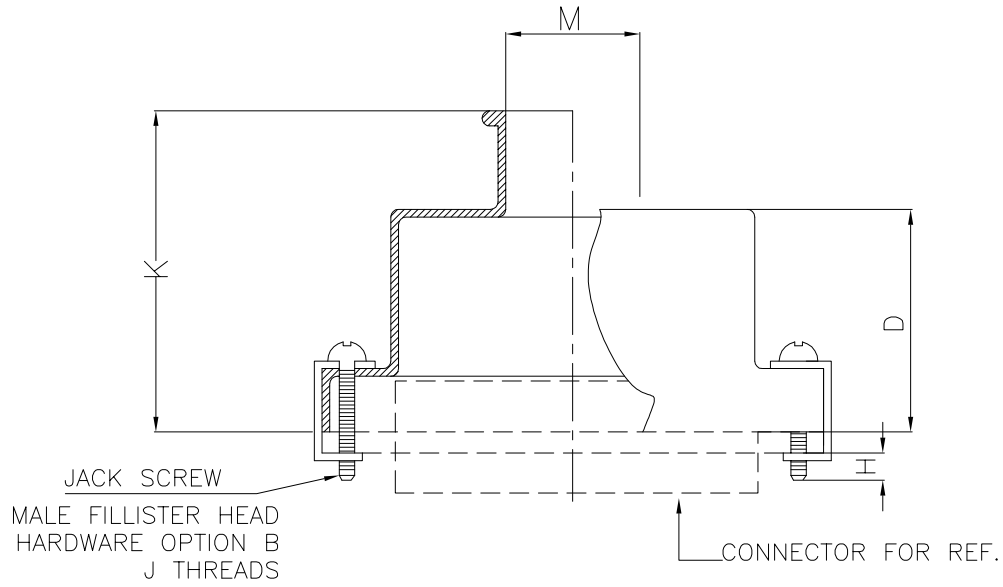
TABLE II

CABLE ENTRY	SHELL SIZE	M ENTRY DIA.	N ENTRY DIA.
04	09 THRU 100	3.20	7.10
05	09 THRU 100	4.00	7.90
06	09 THRU 100	4.80	8.70
07	09 THRU 100	5.60	9.50
08	09 THRU 100	6.40	10.30
09	31 THRU 100	7.10	11.10
10	51 THRU 100	7.90	11.90
11	100 ONLY	8.70	12.7
12	100 ONLY	9.50	13.50

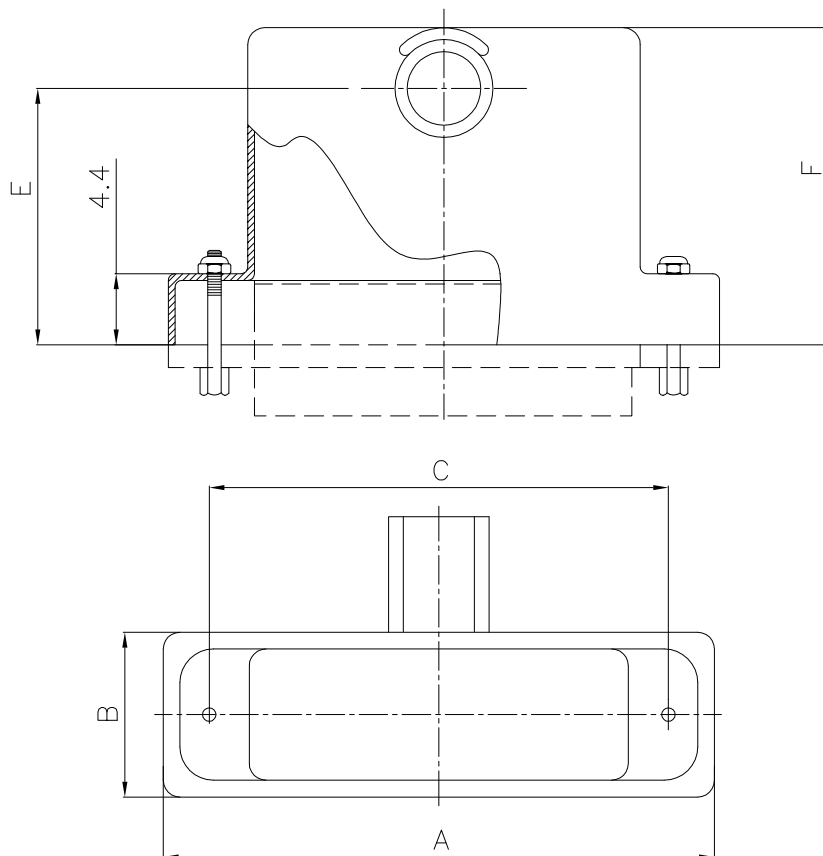
Amphenol Interconnect India Pvt. Ltd. Pune

STRAIN RELIEF BACKSHELL, CIRCULAR ENTRY

STYLE V - TOP ENTRY



STYLE W - SIDE ENTRY



STRAIN RELIEF BACKSHELL, CIRCULAR ENTRY

STYLE X - 45° ENTRY

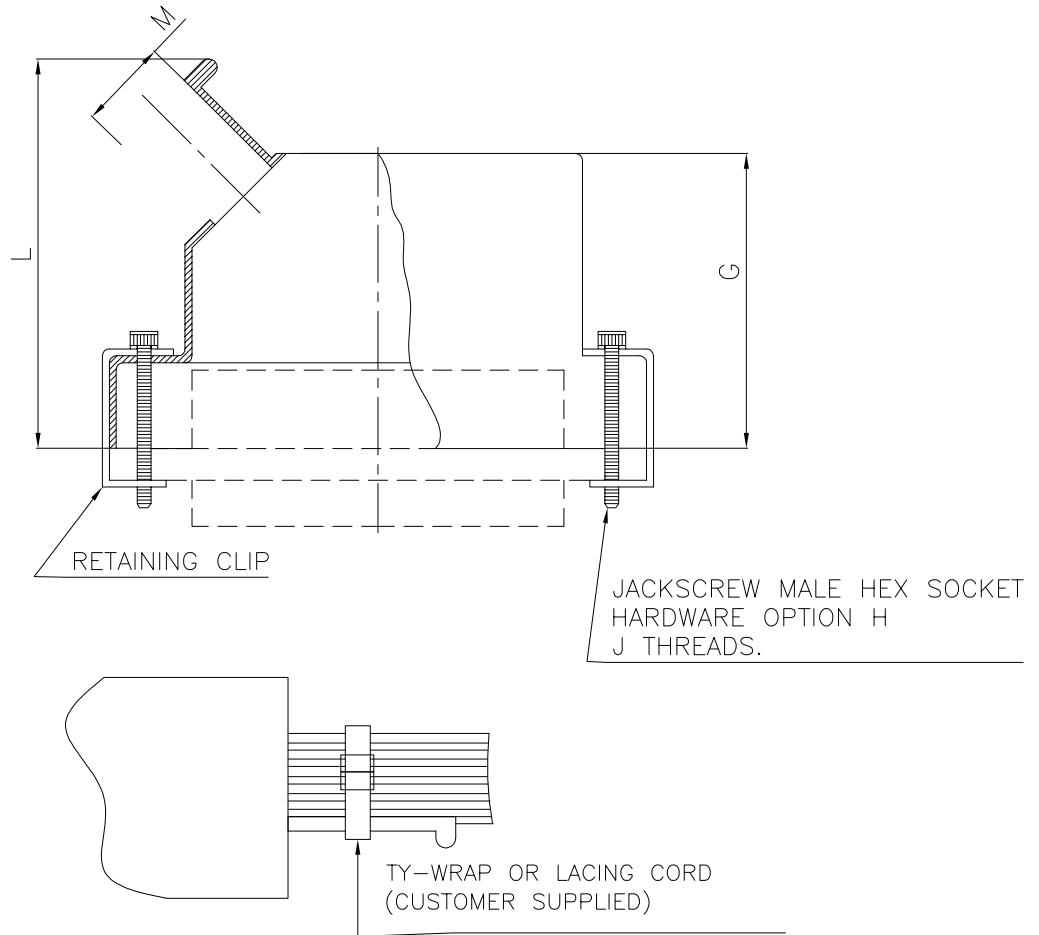
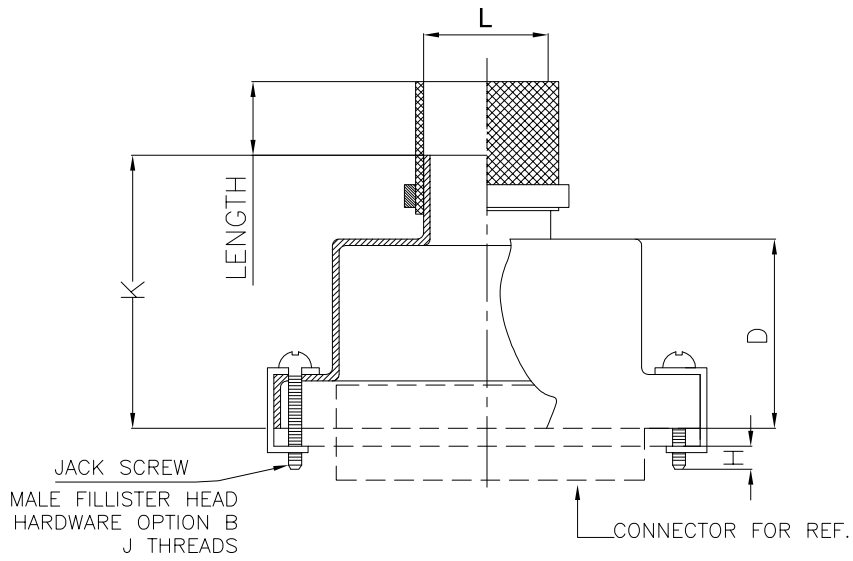


TABLE I

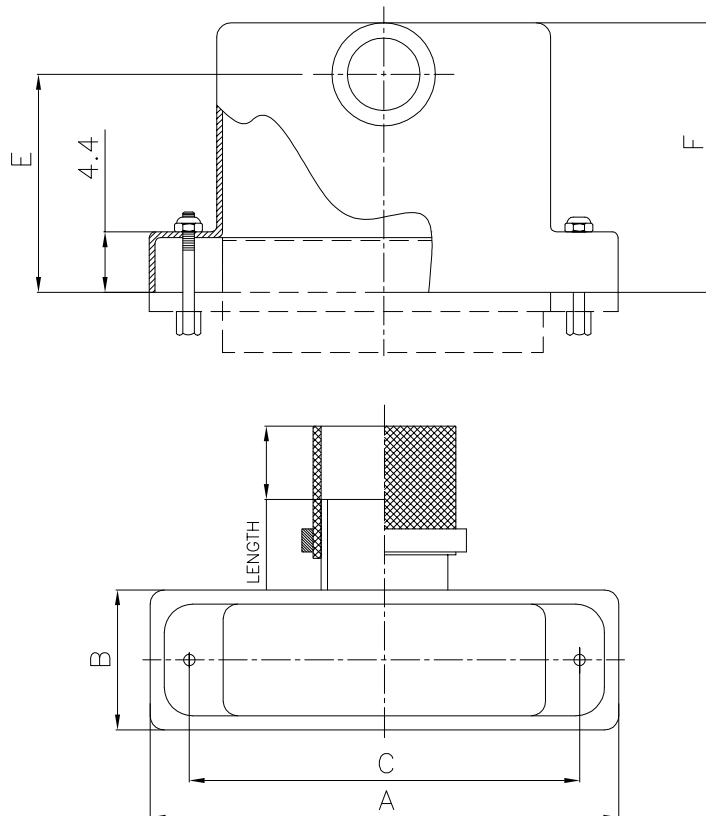
SHELL SIZE	A	B	C	D	E	F	G	H	J	K±0.8	L MAX	M DIA. ±0.1
9	19.70	9.10	14.40	8.10	11.00	15.40	16.50	3.90	2-56 UNC-2	17.80	22.90	4.00
15	23.50	9.10	18.20	11.20	11.20	16.30	17.80	3.90	2-56 UNC-2	20.80	24.40	4.80
21	27.30	9.10	22.00	14.20	11.60	17.20	18.70	3.90	2-56 UNC-2	23.90	25.10	5.60
25	29.80	9.10	24.50	15.70	12.30	18.20	20.30	3.90	2-56 UNC-2	25.40	26.70	6.40
31	33.70	9.10	28.30	17.30	12.10	18.40	21.80	3.90	2-56 UNC-2	26.90	27.40	6.70
37	37.50	9.10	32.10	18.30	12.20	18.90	23.50	3.90	2-56 UNC-2	27.90	25.90	7.10
51	36.20	10.20	30.90	19.10	13.90	21.10	24.80	3.90	2-56 UNC-2	28.70	30.70	7.90
100	54.90	11.40	45.70	20.60	17.40	25.00	26.70	4.90	4-40 UNC-2	30.20	32.50	9.50

EMI BACKSHELL WITH SHIELD SOCK, CIRCULAR ENTRY

STYLE V - TOP ENTRY



STYLE W - SIDE ENTRY



EMI BACKSHELL WITH SHIELD SOCK, CIRCULAR ENTRY

STYLE X - TOP ENTRY

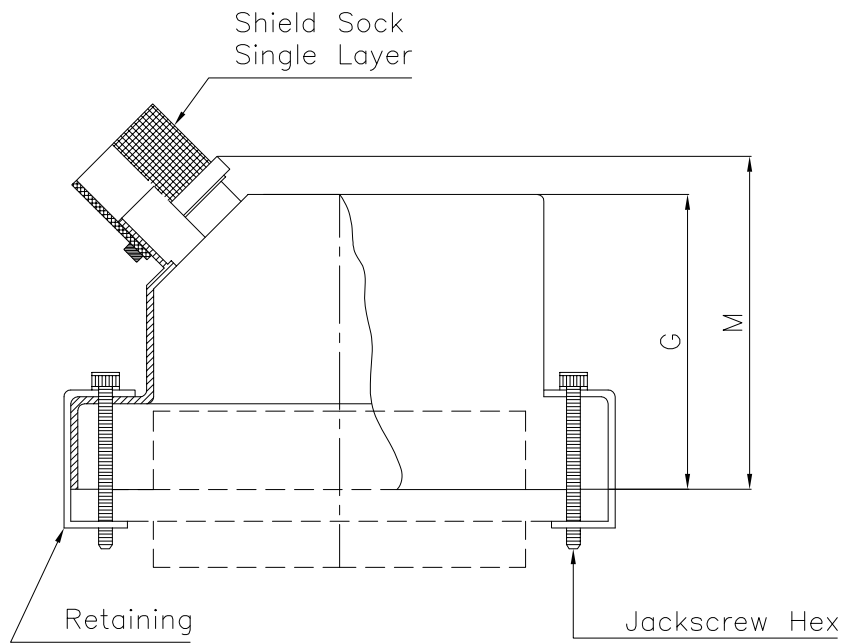


TABLE I

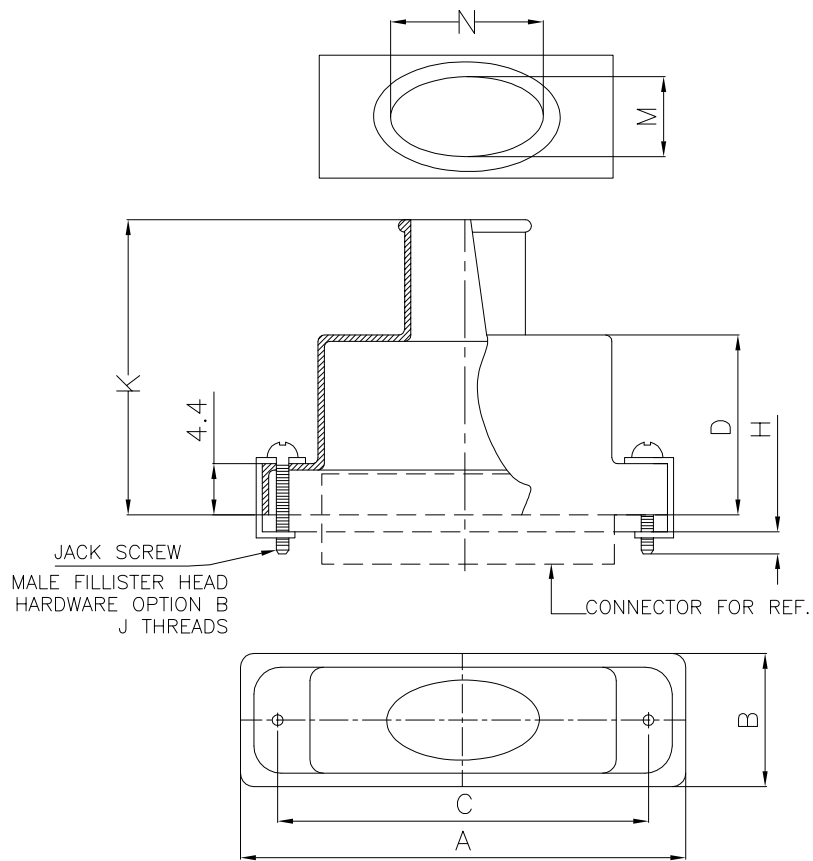
SHELL SIZE	A	B	C	D	E	F	G	H	J	K±0.8	M MAX	MAX ENTRY TABLE II
9	19.70	9.10	14.40	8.10	11.00	15.40	16.50	3.90	2-56 UNC-2	19.10	25.40	8.00
15	23.50	9.10	18.20	11.20	11.20	16.30	17.80	3.90	2-56 UNC-2	22.40	26.20	8.00
21	27.30	9.10	22.00	14.20	11.60	17.20	18.70	3.90	2-56 UNC-2	25.40	26.70	8.00
25	29.80	9.10	24.50	15.70	12.30	18.20	20.30	3.90	2-56 UNC-2	26.90	27.70	8.00
31	33.70	9.10	28.30	17.30	12.10	18.40	21.80	3.90	2-56 UNC-2	28.40	28.70	9.00
37	37.50	9.10	32.10	18.30	12.20	18.90	23.50	3.90	2-56 UNC-2	29.50	29.50	9.00
51	36.20	10.20	30.90	19.10	13.90	21.10	24.80	3.90	2-56 UNC-2	30.20	30.20	10.00
100	54.90	11.40	45.70	20.60	17.40	25.00	26.70	4.90	4-40 UNC-2	31.80	31.80	12.00

TABLE II - DIMENSION

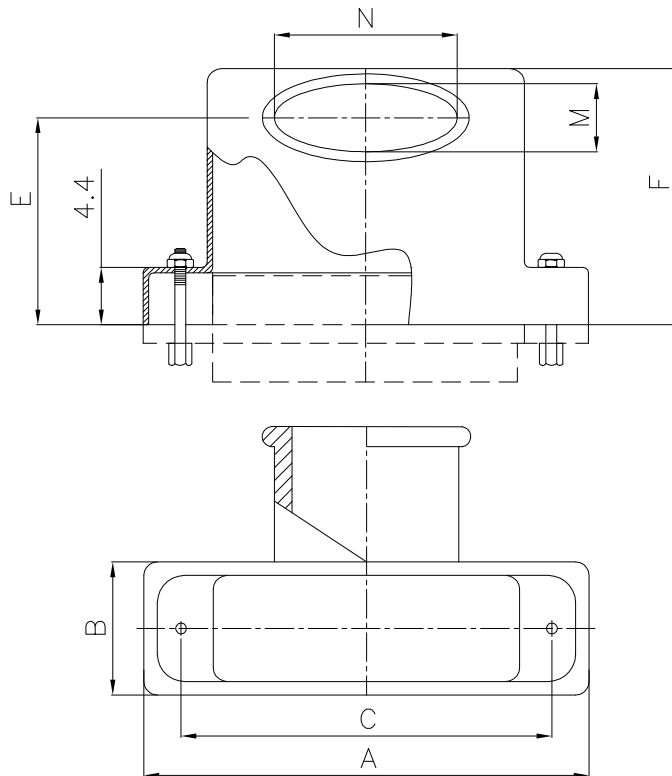
DASH NO.	L ENTRY
4	3.20
5	4.00
6	4.80
7	5.60
8	6.40
9	7.10
10	7.90
11	8.70
12	9.50

EMI/RFI ELLIPTICAL BANDING BACKSHELL

STYLE V - TOP ENTRY



STYLE W - SIDE ENTRY



EMI/RFI ELLIPTICAL BANDING BACKSHELL

STYLE X - TOP ENTRY

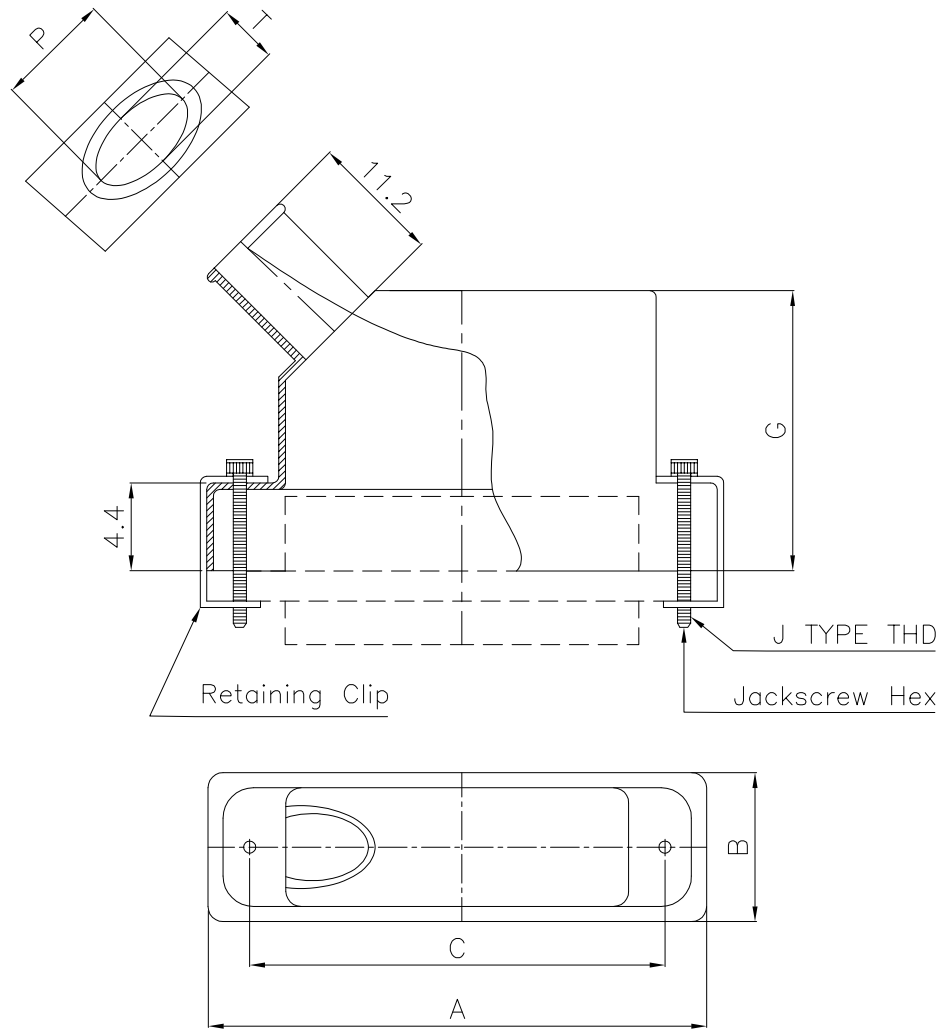


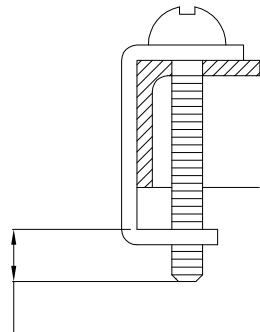
TABLE I

SHELL SIZE	A	B	C	D	E	F	G	P	T	H REF.	J	K±0.8	M	N
9	19.70	8.60	14.40	8.10	11.00	15.40	21.30	8.10	4.00	3.90	2-56 UNC-2	19.10	7.10	7.90
15	23.50	8.60	18.20	11.20	11.20	16.30	22.60	9.80	4.80	3.90	2-56 UNC-2	22.40	7.10	10.70
21	27.30	8.60	22.00	14.20	11.40	17.20	23.60	11.40	5.60	3.90	2-56 UNC-2	25.40	7.10	15.00
25	29.80	8.60	24.50	15.70	12.30	18.20	24.90	12.90	6.40	3.90	2-56 UNC-2	26.90	7.10	17.50
31	33.70	8.60	28.30	17.30	12.10	18.40	25.40	13.80	6.70	3.90	2-56 UNC-2	28.40	7.10	20.80
37	37.50	8.60	32.10	18.30	12.10	18.90	25.90	14.20	7.10	3.90	2-56 UNC-2	29.50	7.10	24.60
51	36.20	9.70	30.90	19.10	13.70	21.10	27.20	16.20	7.90	3.90	2-56 UNC-2	30.20	7.90	23.40
100	54.90	10.90	45.70	20.60	17.40	25.00	29.50	19.50	9.50	4.90	4-40 UNC-2	31.80	9.10	32.80

Amphenol Interconnect India Pvt. Ltd. Pune

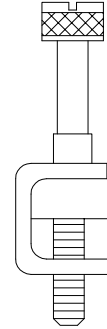
HARDWARE DETAILS:-

STYLE "B"
Fillister Head
Male Jackscrew



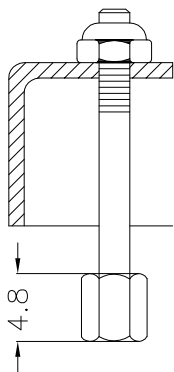
SIZES 9-51 - 3.9
SIZE 100 - 4.9

STYLE "E"
Extended Jackscrew

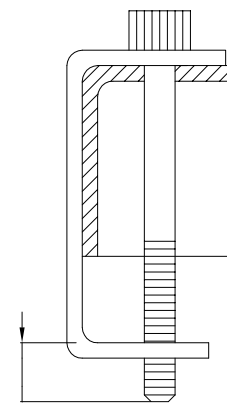


NOT AVAILABLE WITH 45°
ENTRY BACKSHELL

STYLE "F"
Female Jackpost



STYLE "H"
Hex (Allen) Head
Jackscrew



SIZES 9-51 - 3.9
SIZE 100 - 4.9

NOTES: _

FB:- (1) FEMALE JACKPOST & (1) MALE JACKPOST

FH:- (1) FEMALE JACKPOST & (1) MALE HEX SOCKET

ORDERING INFORMATION FOR MICRO-D BACKSHELLS

MDB	XX	CABLE ENTRY STYLE	FINISH	XX	HARDWARE	CABLE ENTRY	6
SERIES DESIGNATION							
BASIC PART NO.							
10:- STANDARD EMI BACKSHELL							
11:- STRAIN RELIEF BACKSHELL							
12:- EMI BACKSHELL WITH SHIELD SOCK							
20:- ELLIPTICAL ENTRY EMI BACKSHELL							
CABLE ENTRY STYLE							
V:- TOP ENTRY							
W:- SIDE ENTRY							
X:- 45° ENTRY							
Y:- DUAL 45° ENTRY							
PLATING FINISH							
CB:- ELECTROLESS NICKEL							
VB:- CADMIUM PLATE WITH O/DRAB DARK GREEN SHADE OVER ELECTROLESS NICKEL FINISH.							
BD:- BLACK ANODIZE FINISH.							
MC:- 0.5 MICRON GOLD PLATED OVER NICKEL							
YB:- (SUFFIX IN BOM VD) YELLOW CHROMATE TREATMENT (CHEM. FILM)							
VD:- (SUFFIX IN BOM YB) CADMIMUM PLATING WITH YELLOW PASSIVATION							
SHELL SIZE							
09, 15, 21, 25, 31, 37, 51, 100							
HARDWARE OPTION							
B:- MALE FILLISTER HEAD							
E:- EXTENDED JACK SCREW							
H:- MALE HEX SOCKET							
F:- FEMALE JACKPOST (REF. PAGE NO. 11)							
FB:- 1 FEMALE JACKPOST & 1 MALE JACK POST							
FH:- 1 FEMALE JACKPOST & 1 MALE HEX SOCKET							
CABLE ENTRY SIZE							
04, 05, 06, 07, 08, 09, 10, 11, 12							
(IGNORE CABALE ENTRY FOR ELLIPTICAL BACKSHELL)							
Shield Sock Length							
Length in 1 INCH increments (E.g.6=6)							
(ONLY FOR EMI Backshell with shield sock)							

Amphenol Interconnect India Pvt. Ltd. Pune

Amphenol

A Global Company



Pune Operations



Bangalore Operations

Amphenol

Interconnect India Pvt. Ltd.
Our offices in India:

MARKETING HEAD QUARTERS

105, Bhosari Industrial Area ,
Pune-411026.
Tel.: 91-020-67360303, 67360304
Fax: 91-020-67360321
Email: vbhavsar@amphenol-in.com
sales@amphenol-in.com

Export

105, Bhosari Industrial Area ,
Pune-411026, India
Fax : 91-20-27129158
Tel.: 91-020-67360303,67360304
Email : svpatil@amphenol-in.com

Southern Region

4931,11th Floor, High Point IV
45,Palace Road, Bangalore 560 001.
Tel.: 91-80-22281392, 22281002
Fax : 91-80-22253859
Email : kmanoj@amphenol-in.com

Western Region

105, Bhosari Industrial Area,
Pune - 411026.
Tel.: 91- 020 - 27119735, 67360334
Email : sunilp@amphenol-in.com

Northern And Eastern Region

1414, 14th Floor, Chiranjiv Tower,
43, Nehru Place ,New delhi- 110 019.
Tel. : 91-11-26449177
Telefax : 91-11-26449177
Email : sunily@amphenol-in.com

Central Region

107, 1st Floor, 'Am Sri classic',
Sarojinidevi Road, Secunderabad-500 003.
Telefax : 91-11-26449177
Email : pprasad@amphenol-in.com

www.amphenol-in.com

X-ON Electronics

Largest Supplier of Electrical and Electronic Components

Click to view similar products for [D-Sub Backshells](#) category:

Click to view products by [Amphenol](#) manufacturer:

Other Similar products are found below :

[600X51137X](#) [600X54009X](#) [66241-12A](#) [M85049/6-38N](#) [M85049/86-12N03](#) [M85049/90-13P03](#) [70.350.0636.4](#) [70.350.2435.1](#) [72.350.1035.2](#)
[72.352.2435.1](#) [73.359.4035.3](#) [829472-1](#) [PCS-E20W](#) [970-015-040R011](#) [971-009-030R121](#) [971-009-040R011](#) [971-015-040R011](#) [DPH-B-003](#)
[1437013-9](#) [1484402-8](#) [156-3025-EX](#) [16-500800](#) [165X02659X](#) [165X03399A](#) [165X10259X](#) [165X11359X](#) [165X11759X](#) [165X11889X](#)
[165X11899X](#) [165X13019X](#) [165X13029X](#) [165X13169X](#) [165X13199X](#) [165X13239X](#) [165X13389X](#) [165X13489X](#) [165X14219X](#)
[165X14429X](#) [165X14449X](#) [165X17409X](#) [165X17439X](#) [165X17569X](#) [165X17599X](#) [165X17609X](#) [165X17979X](#) [L171373](#) [971-025-](#)
[030R121](#) [300X10989X](#) [165X02609X](#) [165X02639X](#)