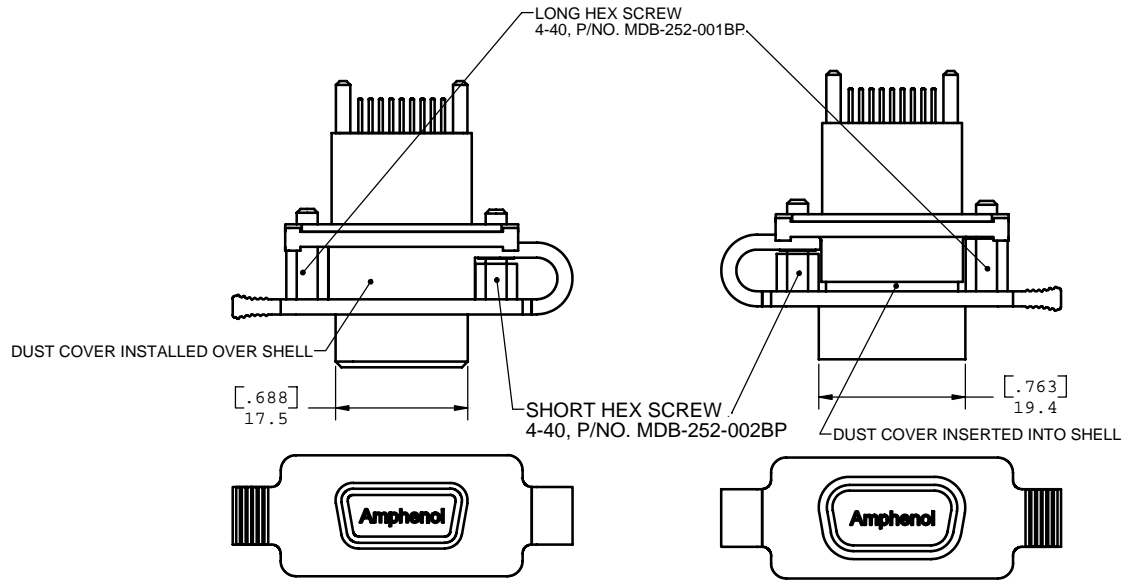


DUST COVER



INSTALLATION ON MDB 9 SOCKET CONNECTOR INSTALLATION ON MDB 9 PIN CONNECTOR

NOTES:

1. MATERIAL:
 - DUST COVER - SILICONE RUBBER, COLOR - GREY.
 - BUSHING - BRASS, NICKEL PLATED.
 - SCREWS - STAINLESS STEEL.
2. OPERATING TEMPERATURE: -40°C TO +105°C.
3. PART NUMBER FOR ORDER:
 - DUST COVER: MDB-227-093-205BP.(BUSHING INCLUDED)
 - LONG HEX SCREW: MDB-252-001BP
 - SHORT HEX SCREW: MDB-252-002BP
4. PART IS RoHS COMPLIANT PER EU DIRECTIVE 2002/95/EC AND AMENDMENTS.
5. PART IS UL94V-0 FLAMMABILITY COMPLIANT.



UNLESS OTHERWISE SPECIFIED DIMENSIONS ARE IN MILLIMETER TOLERANCES ARE:		APPROVALS	DATE	Amphenol Canada Corp.	
DECIMALS	ANGLES	DRAWN	NOV14/06		
.XX ±.10	± 1°	S.SEMENOV		TITLE DUST COVER FOR MDB CONNECTORS	
.X ±.25		DESIGNED	NOV14/06		
MATERIAL AND FINISH		CHECKED		SIZE	DWG. NO.
		QA APP'D		C	P-MDB-227-093-205BF
REF.		IE APP'D		SCALE	REV. D
CODE IDENT. NO.		DWG APP'D	NOV14/06	5:1	
		A.GREEN		PROJECT	SHEET
				MDB	1 OF 1

X-ON Electronics

Largest Supplier of Electrical and Electronic Components

Click to view similar products for [D-Sub Tools & Hardware](#) category:

Click to view products by [Amphenol](#) manufacturer:

Other Similar products are found below :

[000-01-09-132](#) [000-01-21-132](#) [000-01-31-162](#) [572019-00105-70](#) [000-01-37-162](#) [621-250-113-115](#) [D110550-2](#) [D20418-137](#) [780-518-50SG6-WS](#) [86552009](#) [86553115TLF](#) [86553117TLF](#) [1230032-1](#) [1-5021101-2](#) [1589283-4](#) [160-000-005R031](#) [16-000230](#) [160-025-004R031](#) [160-020-209R000](#) [160X10909X](#) [164C03939A](#) [177-505-A-2-2](#) [1-966830-8](#) [21018-6](#) [21028-2](#) [2-1393560-9](#) [JS-1000](#) [L17D204182M3E](#) [L17D53018](#) [300X10779X](#) [160X10189X](#) [160X10419X](#) [162-000-050R000](#) [21018-5](#) [212561-3](#) [248C21550X](#) [CF15P](#) [D110277](#) [D20418-135](#) [500-008NF1K-01](#) [500-008NF3R3KS-01](#) [500-017M09FN](#) [500-017M15MHN](#) [500-024M1](#) [500-068M3](#) [5-1393561-5](#) [C115373-0001](#) [C115373-0002](#) [3342-4-KIT](#) [K1003](#)