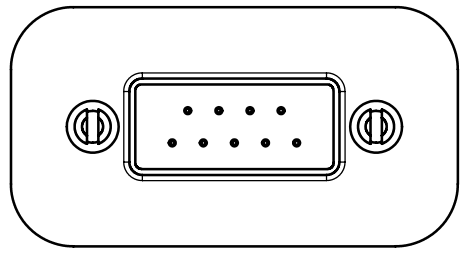
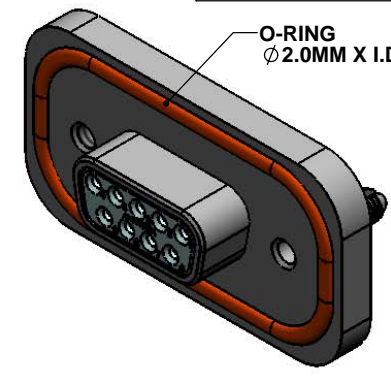
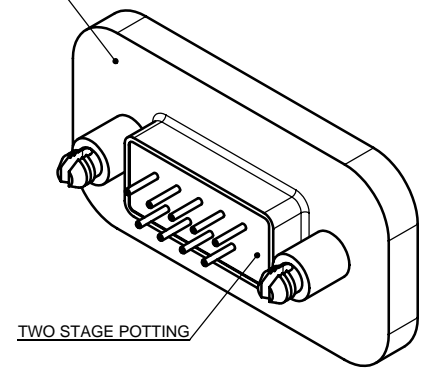


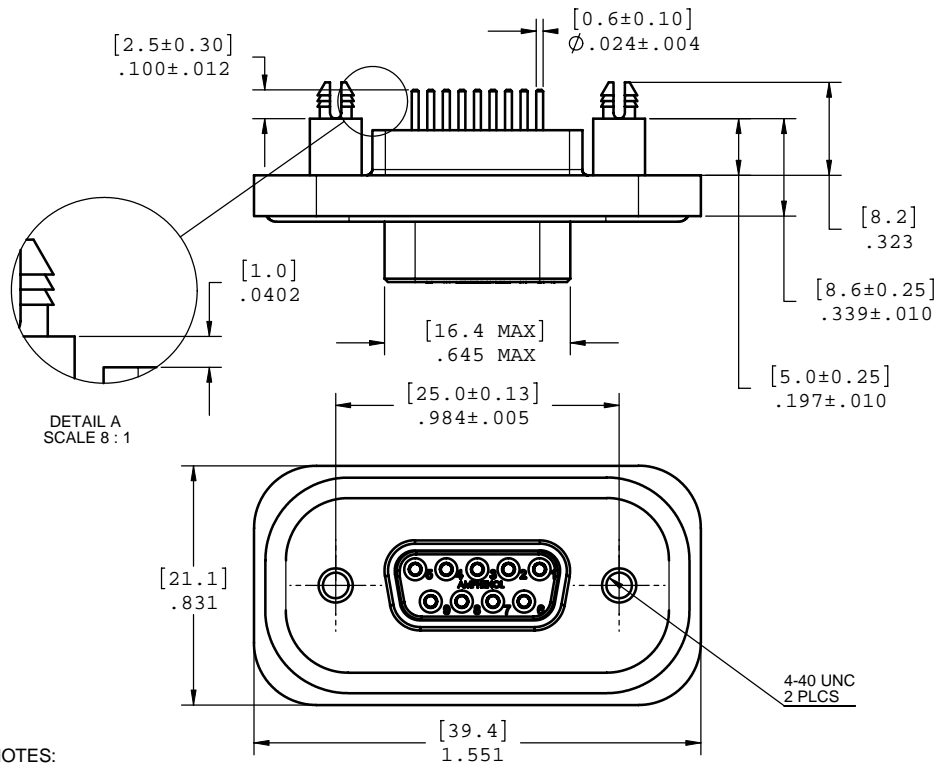
REV - DESCRIPT - DATE - APPRVD
A - UPDATED NOTES - 2006/06/16 - YK.
B - CHG SOLDER TAIL - 2006/07/19 - YK.
C - UPDATED MATERIALS - 2006/08/18 - YK.
D - STAKING ADDED: NOT APPROVED BY CUSTOMER - MAY 23,07
E - O RING SIZE CHANGED - SEPT28,07 - A.G.
F - TIGHTENING TORQUE ADDED - OCT23,07 - A.G.



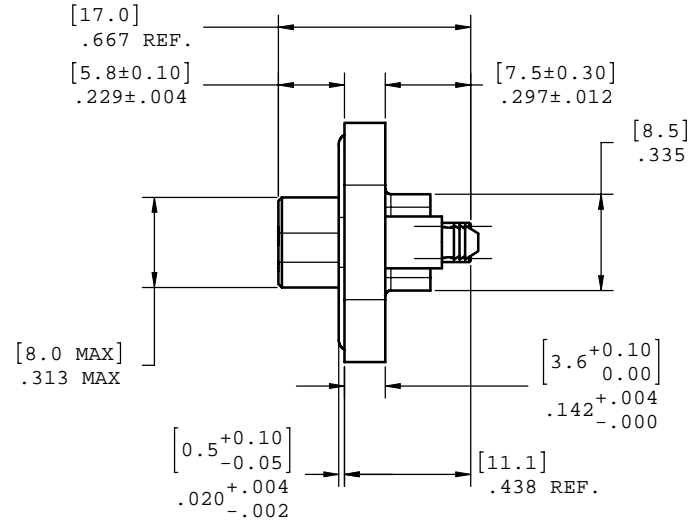
METAL DIE CAST OUTER SHELL



O-RING  
Ø 2.0MM X I.D. 27MM



DETAIL A  
SCALE 8:1



NOTES:

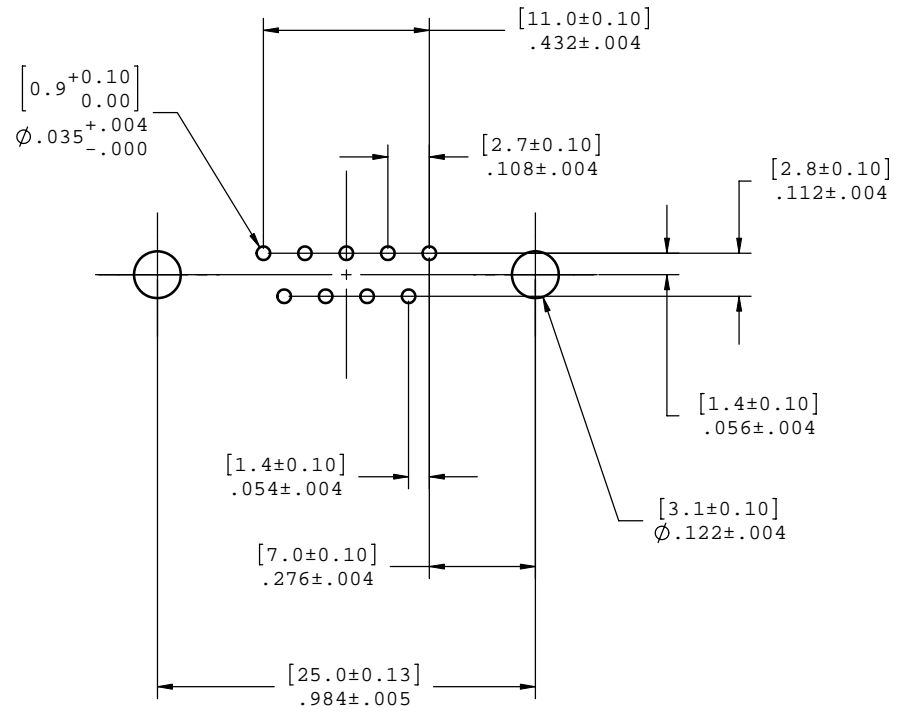
- MATERIAL:
  - SHELL: ZINC ALLOY 50 MICRO INCH MINIMUM NICKEL PLATING.
  - CONTACTS: COPPER ALLOY 30 MICRO INCH GOLD OVER 50 MICRO INCH NICKEL PLATING.
  - INSULATOR: THERMOPLASTIC POLYESTER RESIN (DSM) 94V-0 FLAMMABILITY RATING.
  - GASKETS: SILICONE RUBBER S7001R, 70 DUROMETER.
  - SEALING COMPOUND: STYCAST 2651 WITH CATALYST 11
- FEATURES: SEALED CONNECTOR IN THE MATED AND UNMATED CONDITIONS.
- OPERATING TEMPERATURE: -40°C TO +105°C.
- ENVIRONMENT PERFORMANCE: IP67.
- PART IS RoHS COMPLIANT.
- REAR SEAL TO WITHSTAND TEMPERATURE EXPOSURE OF SOLDER BATH 265°C FOR 8 SEC & SOLDER PREHEAT 150°C FOR 180 SEC.
- SEALED TO WITHSTAND PRESSURE UP TO 5 PSI AFTER HIGH TEMPERATURE EXPOSURE.
- RECOMMENDED TORQUE FOR SCREW TIGHTENING:
  - STEEL SCREW WITH MORE THAN .090" THREAD ENGAGEMENT: 4.0 TO 5.75 INCH-LBS
  - BRASS SCREW: 3.1 TO 4.5 INCH-LBS.

AMPHENOL PART NUMBER: MDB-E09SE-860

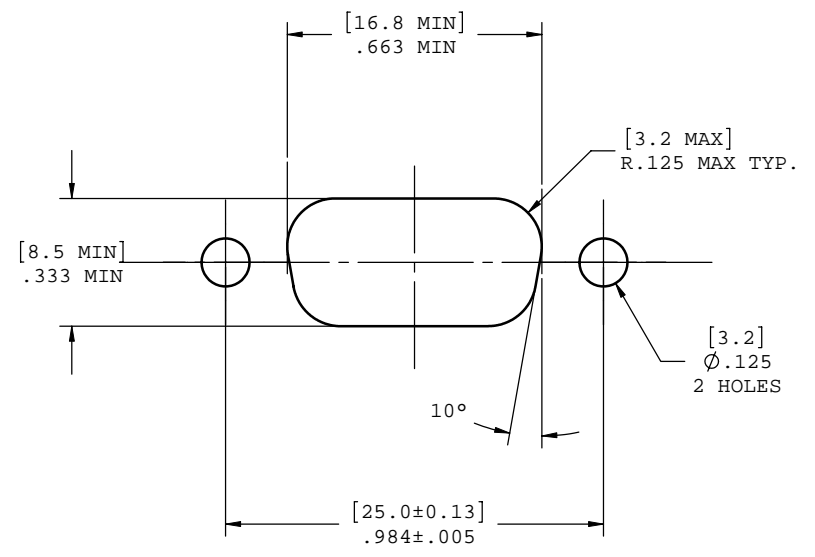


UNLESS OTHERWISE SPECIFIED DIMENSIONS ARE IN MILLIMETER TOLERANCES ARE:		APPROVALS	DATE	Amphenol Canada Corp.	
DECIMALS	ANGLES	DRAWN	2006/07/24		
.XX ±.10	± 1°	DESIGNED	2006/07/24	TITLE	
.X ±.25		CHECKED		MDB 9 SOCKETS CONNECTOR	
MATERIAL AND FINISH		QA APP'D		SIZE	DWG. NO.
REF.		IE APP'D		C	P-MDB-E09SE-860
CODE IDENT. NO.		DWG APP'D	2006/07/24	SCALE	PROJECT
				3:1	MDB
					SHEET
					1 OF 2

DO NOT SCALE DRAWING  
THIS DOCUMENT CONTAINS PROPRIETARY INFORMATION AND SUCH INFORMATION MAY NOT BE DISCLOSED TO OTHERS FOR ANY PURPOSE OR USED FOR MANUFACTURING PURPOSES WITHOUT PERMISSION FROM AMPHENOL CANADA CORP.



**PCB LAYOUT**

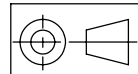


**RECOMMENDED PANEL CUTOUT**



UNLESS OTHERWISE SPECIFIED DIMENSIONS ARE IN MILLIMETER TOLERANCES ARE:		APPROVALS	DATE	Amphenol Canada Corp.	
DECIMALS	ANGLES	DRAWN	DATE		
.XX ±.10	± 1°	Y.KUZYK	2006/07/24	TITLE	
.X ±.25		DESIGNED	DATE		
MATERIAL AND FINISH		S.SEMENOV	2006/07/24	MDB 9 SOCKETS CONNECTOR	
		CHECKED			
		QA APP'D		SIZE	DWG. NO.
		IE APP'D		C	P-MDB-E09SE-860
REF.		DWG APP'D	2006/07/24	SCALE	PROJECT
CODE IDENT. NO.				4:1	MDB
					SHEET
					2 OF 2

DO NOT SCALE DRAWING  
THIS DOCUMENT CONTAINS PROPRIETARY INFORMATION AND SUCH INFORMATION MAY NOT BE DISCLOSED TO OTHERS FOR ANY PURPOSE OR USED FOR MANUFACTURING PURPOSES WITHOUT PERMISSION FROM AMPHENOL CANADA CORP.



## X-ON Electronics

Largest Supplier of Electrical and Electronic Components

*Click to view similar products for [D-Sub Standard Connectors](#) category:*

*Click to view products by [Amphenol](#) manufacturer:*

Other Similar products are found below :

[56F706-005-LI](#) [56F711-015](#) [LV242999-142T12](#) [015-0341-000](#) [015-0372-005](#) [015-0372-008](#) [015-8755-001](#) [020419-0104](#) [012-0467-000](#)  
[012-9507-034](#) [012-9507-114](#) [020745-0008](#) [609-25P](#) [CT2-18-11PCAU](#) [CT6-10SL-3SC](#) [CT6-10SL-4SC](#) [CT6-14S-2SC](#) [CT6E14SA7SC](#)  
[CT6N10SL-4SSA34](#) [M83513/01-FC](#) [M83723/76W24619 L/C](#) [M85049/48-3-2F](#) [6STD09PCM99B70X](#) [6STD09SCM99B30X](#)  
[6STD09SCT99S40X](#) [6STD15PCT99S40X](#) [6STD15SCT99S40X](#) [6STF09PCM05B70X](#) [7-135760-9](#) [MC11E-10-6SN](#) [747552-3](#) [MD1-21PS](#)  
[MDM-15SCBRM7-F222](#) [MDM96517-699](#) [MDM96521-744](#) [MDVB1-21SL1](#) [MIK0-1-7SH003](#) [MIKQ6-7SH076](#) [MIKQ7-7PH077](#) [MIKQ7-](#)  
[7PH11](#) [MIKQ7-7PH32](#) [MJSV-28SL61](#) [MKJ4A1F14-55S](#) [8-135760-3](#) [8STD09PCM99B30X](#) [PG-KV/PV-16-GROM-SEALING](#) [GDA15P](#)  
[GDAY15PB](#) [980-0000-170](#) [980-0000-171](#)