

### MF42

X

X

X

XX

**MF42 Series**  
4.2mm Pitch



**MF42-SP**  
ST w/Peg

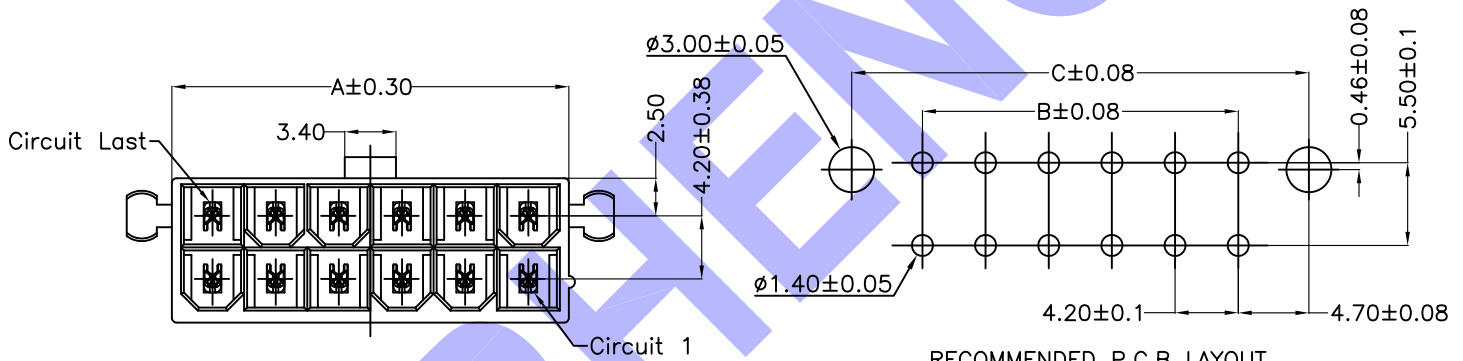
**Type**  
S= Straight  
R= R/A  
H= Housing  
or Contact

**Wafer:**  
D= Dip only  
P= w/Pegs  
E= w/Ear hole  
**Housing:**  
M= Male  
F= Female  
**Contact:**  
M= Male  
F= Female

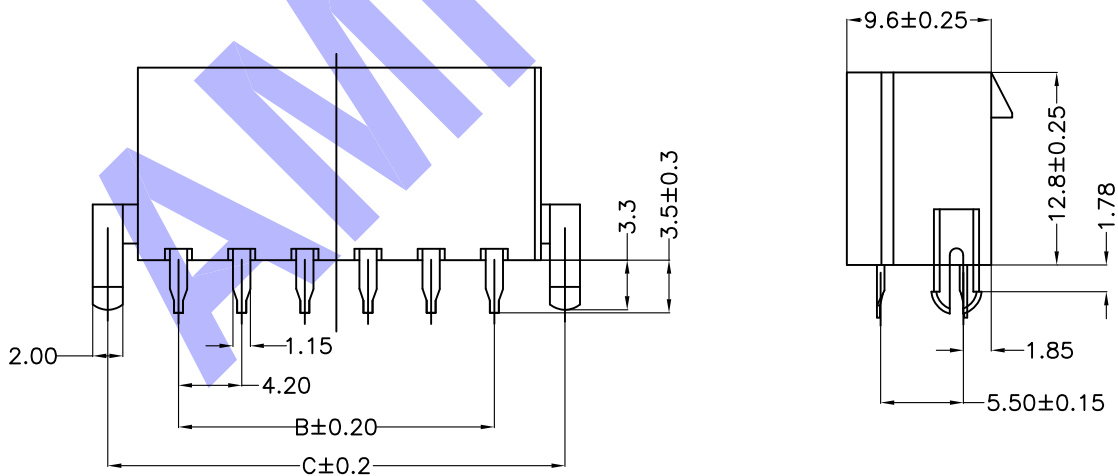
**Wafer&Housing:**  
Blank  
**Contact:**  
T= Tin plated

**No. of Positions**  
02~24

Circuits	Dim A	Dim B	Dim C	Circuits	Dim A	Dim B	Dim C
2	5.4	—	9.4	14	30.6	25.2	34.6
4	9.6	4.2	13.6	16	34.8	29.4	38.8
6	13.8	8.4	17.8	18	39.0	33.6	43.0
8	18.0	12.6	22.0	20	43.2	37.8	47.2
10	22.2	16.8	26.2	22	47.4	42.0	51.4
12	26.4	21.0	30.4	24	51.6	46.2	55.6



**RECOMMENDED P.C.B LAYOUT**  
(Ref: Board Thick=1.78mm)



### General Specification

**Materials and Finish :**

**Insulator:** Glass-reinforce thermoplastic, UL 94V-2, Nylon 66, Transparent white.

**Contact :** Brass, Tin plated.

**Electrical :**

**Contact Resistance:** 10 mΩ max. at 1A DC

**Insulation Resistance:** 1000 MΩ min, at 500 V/DC.

**Dielectric Withstanding Voltage :** 1500 V AC/RMS 60Hz for one minute.

**Current Rating :** 9A AC, DC

**Voltage Rating :** 600V AC/RMS 60Hz, DC

**Environment :**

**Operating Temperature:** -40 degree C to +105 degree C

### MF42

### X

### X

### X

### XX

**MF42 Series**  
4.2mm Pitch



**MF42-SD**  
ST Dip

**Type**  
S= Straight  
R= R/A  
H= Housing  
or Contact

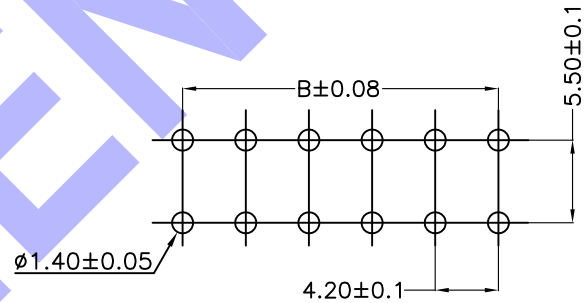
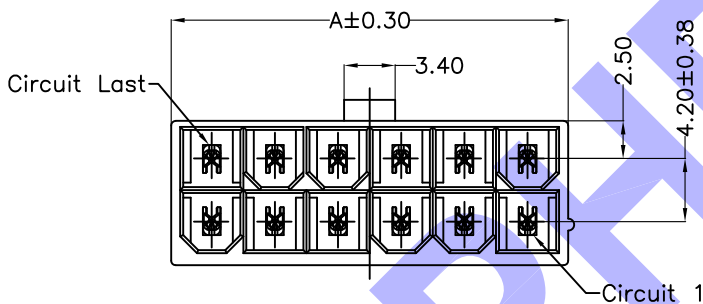
**Wafer:**  
D= Dip only  
P= w/Pegs  
E= w/Ear hole

**Housing:**  
M= Male  
F= Female  
**Contact:**  
M= Male  
F= Female

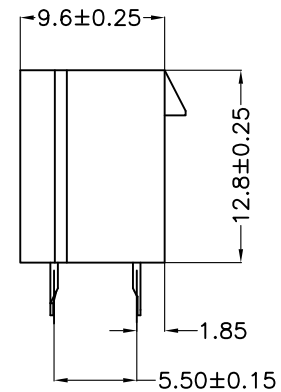
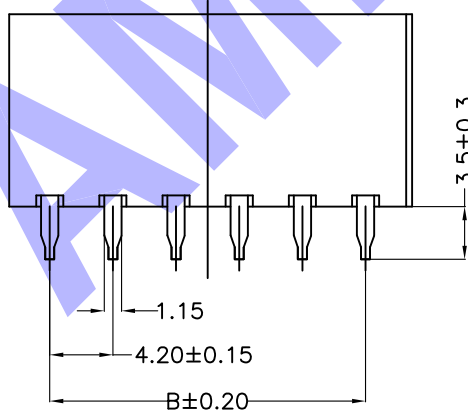
**Wafer&Housing:**  
Blank  
**Contact:**  
T= Tin plated

**No. of Positions**  
02~24

Circuits	Dim A	Dim B	Circuits	Dim A	Dim B
2	5.4	—	14	30.6	25.2
4	9.6	4.2	16	34.8	29.4
6	13.8	8.4	18	39.0	33.6
8	18.0	12.6	20	43.2	37.8
10	22.2	16.8	22	47.4	42.0
12	26.4	21.0	24	51.6	46.2



RECOMMENDED P.C.B LAYOUT



### General Specification

**Materials and Finish :**

**Insulator:** Glass-reinforce thermoplastic, UL 94V-2, Nylon 66, Transparent white.

**Contact :** Brass, Tin plated.

**Electrical :**

**Contact Resistance:** 10 mΩ max. at 1A DC

**Insulation Resistance:** 1000 MΩ min, at 500 V/DC.

**Dielectric Withstanding Voltage :** 1500 V AC/RMS 60Hz for one minute.

**Current Rating :** 9A AC, DC

**Voltage Rating :** 600V AC/RMS 60Hz, DC

**Environment :**

**Operating Temperature:** -40 degree C to +105 degree C

### MF42

### X

### X

### X

### XX

**MF42 Series**  
4.2mm Pitch



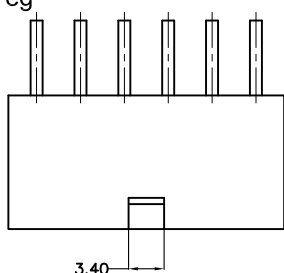
**MF42-RP**  
R/A w/Peg

**Type**  
S= Straight  
R= R/A  
H= Housing  
or Contact

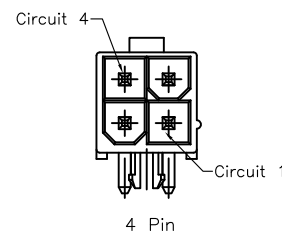
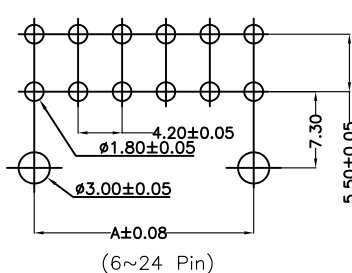
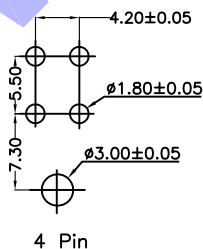
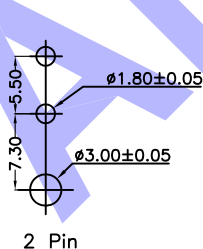
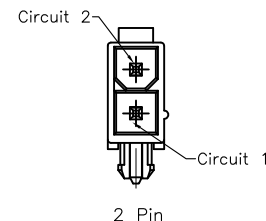
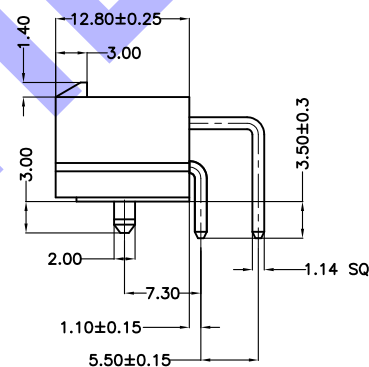
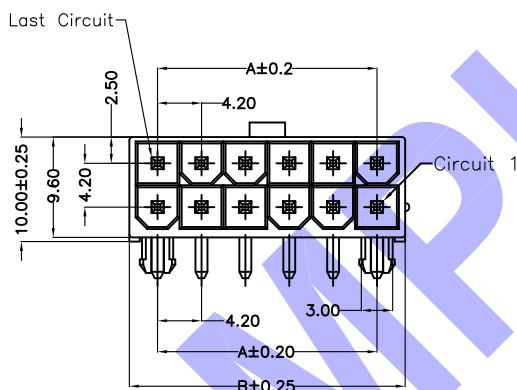
**Wafer:**  
D= Dip only  
P= w/Pegs  
E= w/Ear hole  
**Housing:**  
M= Male  
F= Female  
**Contact:**  
M= Male  
F= Female

**Wafer&Housing:**  
Blank  
**Contact:**  
T= Tin plated

**No. of Positions**  
02~24



Circuits	Dim A	Dim B	Circuits	Dim A	Dim B
2	—	5.4	14	25.2	30.6
4	4.2	9.6	16	29.4	34.8
6	8.4	13.8	18	33.6	39.0
8	12.6	18.0	20	37.8	43.2
10	16.8	22.2	22	42.0	47.4
12	21.0	26.4	24	46.2	51.6



RECOMMENDED P.C.B LAYOUT

## General Specification

### Materials and Finish :

**Insulator:** Glass-reinforce thermoplastic, UL 94V-2, Nylon 66, Transparent white.  
**Contact :** Brass, Tin plated.

### Electrical :

**Contact Resistance:** 10 mΩ max. at 1A DC  
**Insulation Resistance:** 1000 MΩ min, at 500 V/DC.  
**Dielectric Withstanding Voltage :** 1500 V AC/RMS 60Hz for one minute.  
**Current Rating :** 9A AC, DC  
**Voltage Rating :** 600V AC/RMS 60Hz, DC

### Environment :

**Operating Temperature:**  
-40 degree C to +105 degree C

### MF42



**MF42 Series**  
4.2mm Pitch



**MF42-RE**  
R/A w/Ear hole

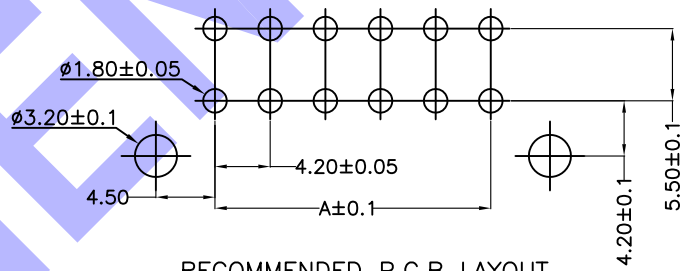
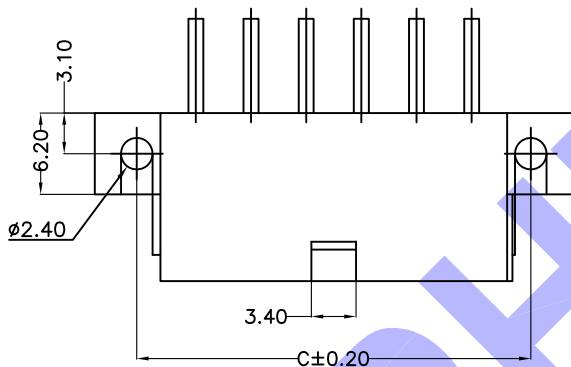
**Type**  
S= Straight  
R= R/A  
H= Housing  
or Contact

**Wafer:**  
D= Dip only  
P= w/Pegs  
E= w/Ear hole  
**Housing:**  
M= Male  
F= Female  
**Contact:**  
M= Male  
F= Female

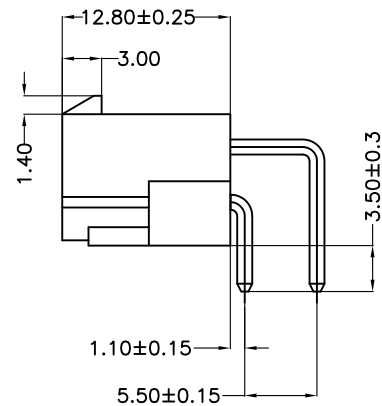
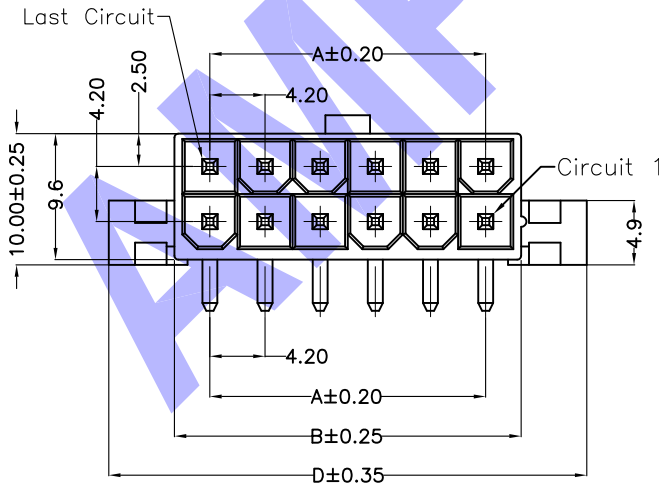
**Wafer&Housing:**  
Blank  
**Contact:**  
T= Tin plated

**No. of Positions**  
02~24

Circuits	Dim A	Dim B	Dim C	Dim D	Circuits	Dim A	Dim B	Dim C	Dim D
2	—	5.4	9.0	15.4	14	25.2	30.6	34.2	40.6
4	4.2	9.6	13.2	19.6	16	29.4	34.8	38.4	44.8
6	8.4	13.8	17.4	23.8	18	33.6	39.0	42.6	49.0
8	12.6	18.0	21.6	28.0	20	37.8	43.2	46.8	53.2
10	16.8	22.2	25.8	32.2	22	42.0	47.4	51.0	57.4
12	21.0	26.4	30.0	36.4	24	46.2	51.6	55.2	61.6



RECOMMENDED P.C.B LAYOUT



### General Specification

**Materials and Finish :**

**Insulator:** Glass-reinforce thermoplastic, UL 94V-2, Nylon 66, Transparent white.  
**Contact :** Brass, Tin plated.

**Electrical :**

**Contact Resistance:** 10 mΩ max. at 1A DC  
**Insulation Resistance:** 1000 MΩ min, at 500 V/DC.  
**Dielectric Withstanding Voltage :** 1500 V AC/RMS 60Hz for one minute.  
**Current Rating :** 9A AC, DC  
**Voltage Rating :** 600V AC/RMS 60Hz, DC

**Environment :**

**Operating Temperature:** -40 degree C to +105 degree C

### MF42

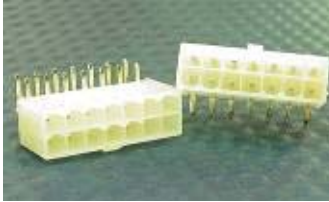
### X

### X

### X

### XX

**MF42 Series**  
4.2mm Pitch



**MF42-RD**  
R/A Dip

**Type**  
S= Straight  
R= R/A  
H= Housing  
or Contact

**Wafer:**  
D= Dip only  
P= w/Pegs  
E= w/Ear hole

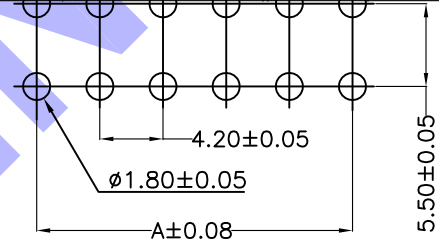
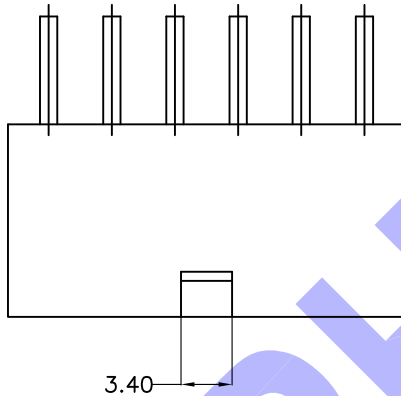
**Housing:**  
M= Male  
F= Female

**Contact:**  
M= Male  
F= Female

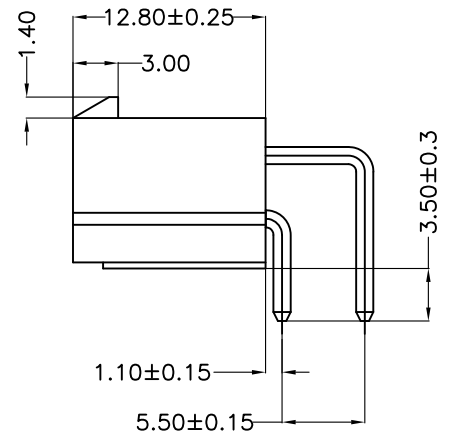
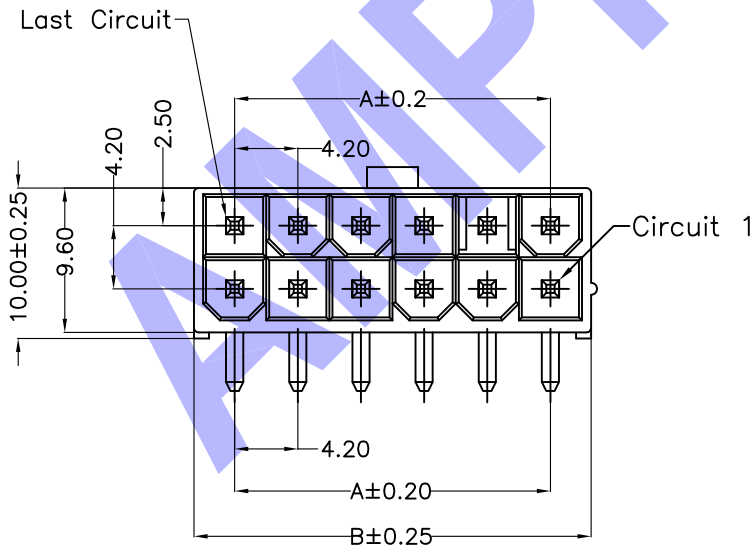
**Wafer&Housing:**  
Blank  
**Contact:**  
T= Tin plated

**No. of Positions**  
02~24

Circuits	Dim A	Dim B	Circuits	Dim A	Dim B
6	8.4	19.3	22	42.0	52.9
8	12.6	23.5	24	46.2	57.1
10	16.8	27.7	26	50.4	61.3
12	21.0	31.9	28	54.6	65.5
14	25.2	36.1	30	58.8	69.7
16	29.4	40.3	32	63.0	73.9
18	33.6	44.5	34	67.2	78.1
20	37.8	48.7	36	71.4	82.3



RECOMMENDED P.C.B LAYOUT



### General Specification

**Materials and Finish :**

**Insulator:** Glass-reinforce thermoplastic, UL 94V-2, Nylon 66, Transparent white.

**Contact :** Brass, Tin plated.

**Electrical :**

**Contact Resistance:** 10 mΩ max. at 1A DC

**Insulation Resistance:** 1000 MΩ min, at 500 V/DC.

**Dielectric Withstanding Voltage :** 1500 V AC/RMS 60Hz for one minute.

**Current Rating :** 9A AC, DC

**Voltage Rating :** 600V AC/RMS 60Hz, DC

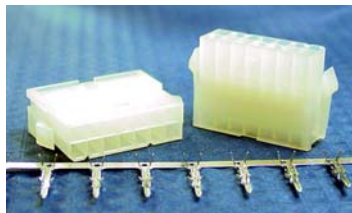
**Environment :**

**Operating Temperature:** -40 degree C to +105 degree C

### MF42



**MF42 Series**  
4.2mm Pitch



**MF42-HM**  
Male Housing

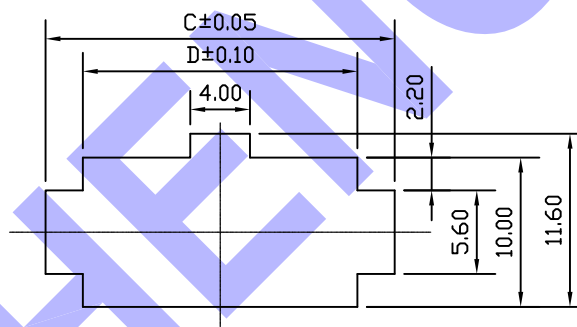
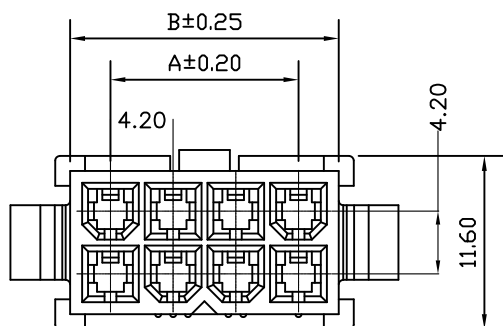
**Type**  
S= Straight  
R= R/A  
H= Housing  
or Contact

**Wafer:**  
D= Dip only  
P= w/Pegs  
E= w/Ear hole  
**Housing:**  
M= Male  
F= Female  
**Contact:**  
M= Male  
F= Female

**Wafer&Housing:**  
Blank  
**Contact:**  
T= Tin plated

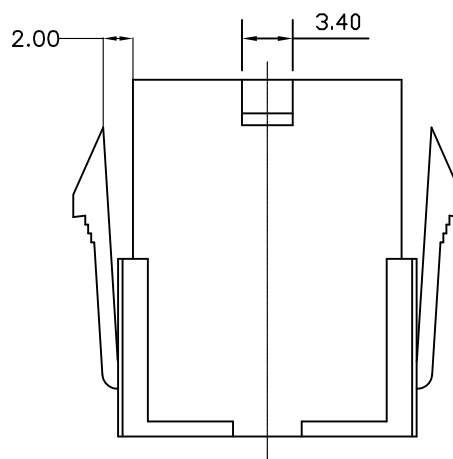
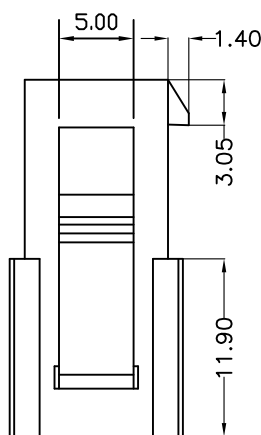
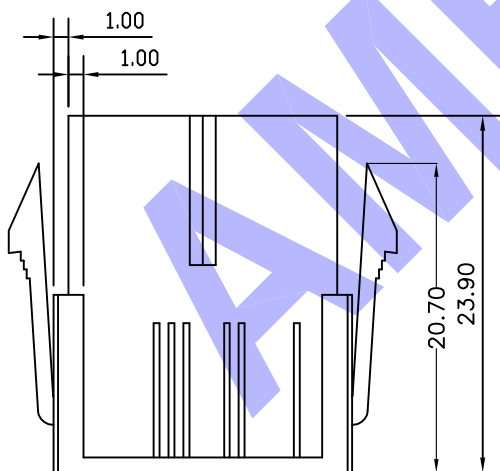
**No. of Positions**  
02~24

Pos	Dim.A	Dim.B	Dim.C	Dim.D
02	—	5.4	10.8	5.8
04	4.2	9.6	15.0	10.0
06	8.4	13.8	19.2	14.2
08	12.6	18.0	23.4	18.4
10	16.8	22.2	27.6	22.6
12	21.0	26.4	31.8	26.8
14	25.2	30.6	36.0	31.1
16	29.4	34.8	40.2	35.3
18	33.6	39.0	44.4	39.5
20	37.8	43.2	48.6	43.7
22	42.0	47.4	52.8	47.9
24	46.2	51.6	57.0	52.1



Recommended Panel Hole Dimension

Thickness:0.8~2.0



### General Specification

**Materials and Finish :**

**Insulator:** Glass-reinforce thermoplastic, UL 94V-2, Nylon 66, Transparent white.  
**Contact :** Brass, Tin plated.

**Electrical**(after assembled with MF42-HMT):

**Contact Resistance:** 10 mΩ max. at 1A DC  
**Insulation Resistance:** 1000 MΩ min, at 500 V/DC.  
**Dielectric Withstanding Voltage :** 1500 V AC/RMS 60Hz for one minute.  
**Current Rating :** 9A AC, DC  
**Voltage Rating :** 600V AC/RMS 60Hz, DC

**Environment :**

**Operating Temperature:**  
**-40 degree C to +105 degree C**

### MF42

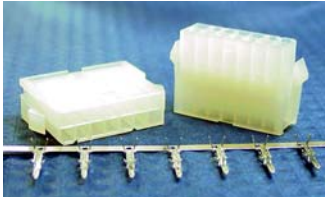
### X

### X

### X

### XX

**MF42 Series**  
4.2mm Pitch



**MF42-HMT**  
Male Contact

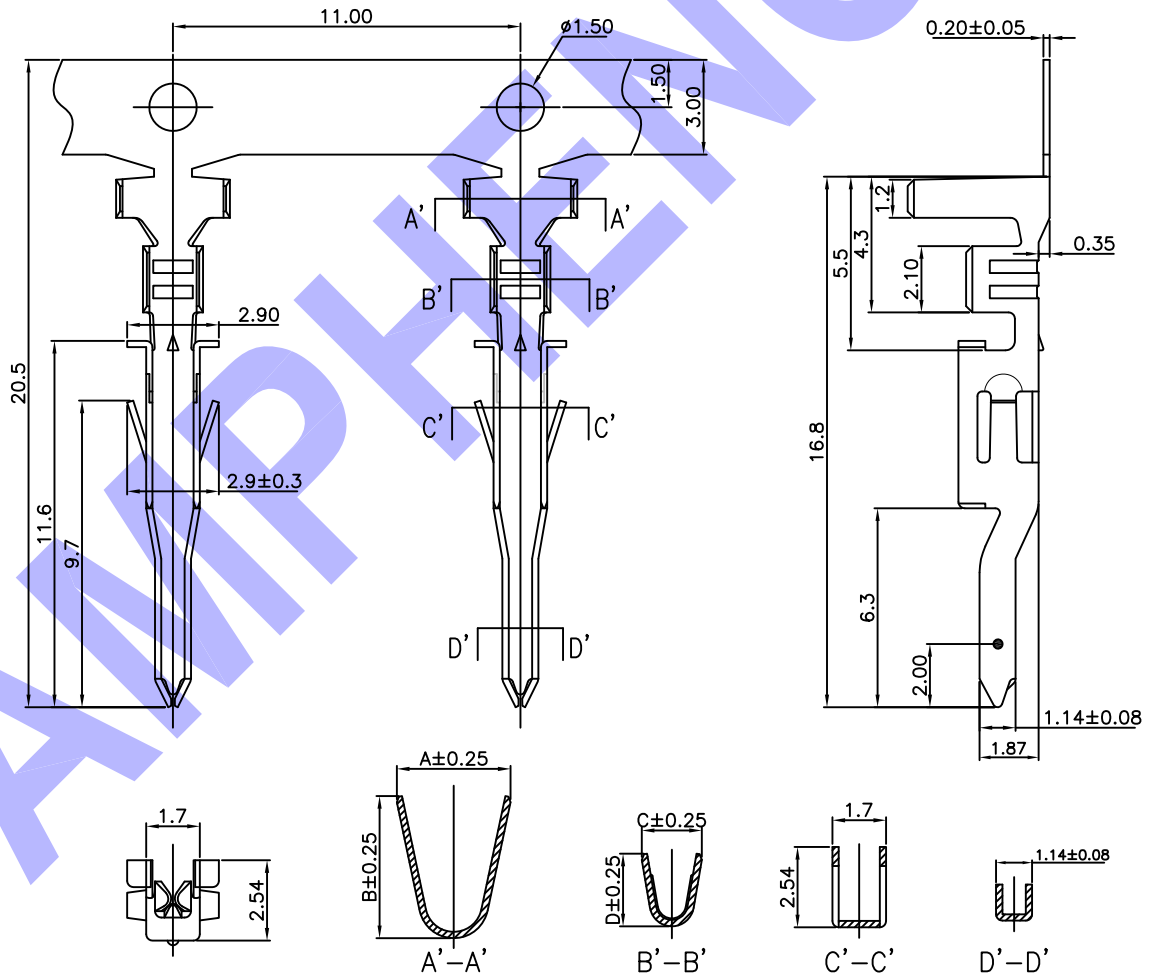
**Type**  
S= Straight  
R= R/A  
H= Housing  
or Contact

**Wafer:**  
D= Dip only  
P= w/Pegs  
E= w/Ear hole  
**Housing:**  
M= Male  
F= Female  
**Contact:**  
M= Male  
F= Female

**Wafer&Housing:**  
Blank  
**Contact:**  
T= Tin plated

**No. of Positions**  
02~24

Wire Apply	A	B	C	D	INS. O.D.	Q'ty/Reel
16AWG	3.6	4.5	2.3	2.7	∅3.1MAX	4,000Pcs
18~24AWG	3.6	4.5	1.9	2.3	∅1.3~3.1	4,000Pcs
22~28AWG	2.3	2.3	1.8	1.65	∅0.9~1.8	5,000Pcs



### General Specification

**Materials and Finish :**

**Contact :** Brass, T:0.2mm  
Finish: Tin plated  
**Applicable wires:** AWG# 18~24

**Electrical**(after assembled with MF42-HM):

**Contact Resistance:** 10 mΩ max. at 1A DC  
**Insulation Resistance:** 1000 MΩ min, at 500 V/DC.  
**Dielectric Withstanding Voltage :** 1500 V AC/RMS 60Hz for one minute.  
**Current Rating :** 9A AC, DC  
**Voltage Rating :** 600V AC/RMS 60Hz, DC

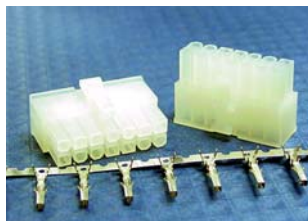
**Environment :**

**Operating Temperature:** -40 degree C to +105 degree C

### MF42



**MF42 Series**  
4.2mm Pitch



**MF42-HF**  
Female Housing

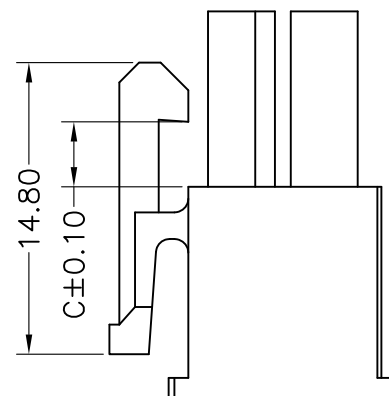
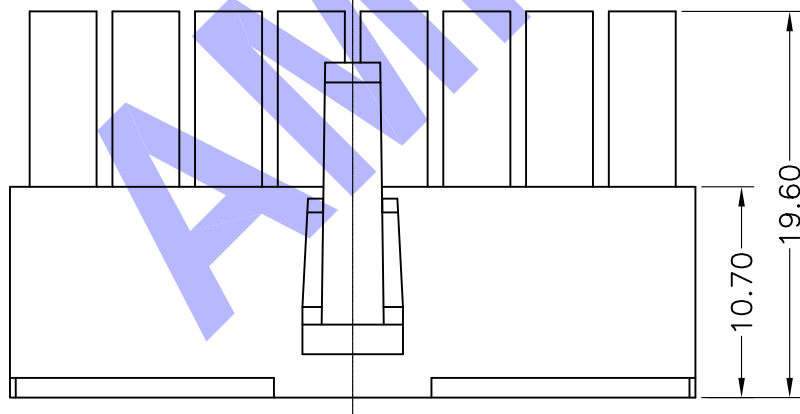
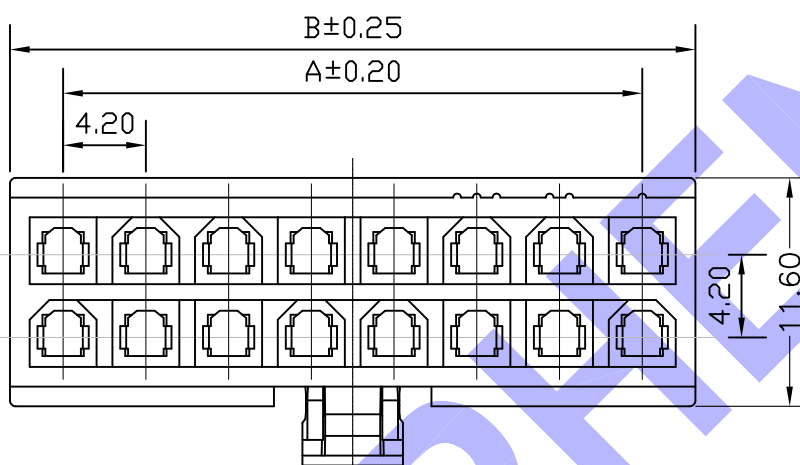
**Type**  
S= Straight  
R= R/A  
H= Housing  
or Contact

**Wafer:**  
D= Dip only  
P= w/Pegs  
E= w/Ear hole  
**Housing:**  
M= Male  
F= Female  
**Contact:**  
M= Male  
F= Female

**Wafer&Housing:**  
Blank  
**Contact:**  
T= Tin plated

**No. of Positions**  
02~24

Circuits	DIM.A	DIM.B	DIM.C
2		5.40	3.30
4	4.20	9.60	3.30
6	8.40	13.80	3.30
8	12.60	18.00	3.30
10	16.80	22.20	3.30
12	21.00	26.40	3.30
14	25.20	30.60	3.30
16	29.40	34.80	3.30
18	33.60	39.00	3.60
20	37.80	43.20	3.60
22	42.00	47.40	3.60
24	46.20	51.60	3.60



### General Specification

**Materials and Finish :**

**Insulator:** Glass-reinforce thermoplastic, UL 94V-2, Nylon 66, Transparent white.  
**Contact :** Brass, Tin plated.

**Electrical**(after assembled with MF42-HFT):

**Contact Resistance:** 10 mΩ max. at 1A DC  
**Insulation Resistance:** 1000 MΩ min, at 500 V/DC.  
**Dielectric Withstanding Voltage :** 1500 V AC/RMS 60Hz for one minute.  
**Current Rating :** 9A AC, DC  
**Voltage Rating :** 900V AC/RMS 60Hz, DC

**Environment :**

**Operating Temperature:**  
-40 degree C to +105 degree C



### MF42

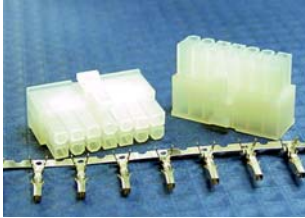
### X

### X

### X

### XX

**MF42 Series**  
4.2mm Pitch



**MF42-HFT**  
Female Contact

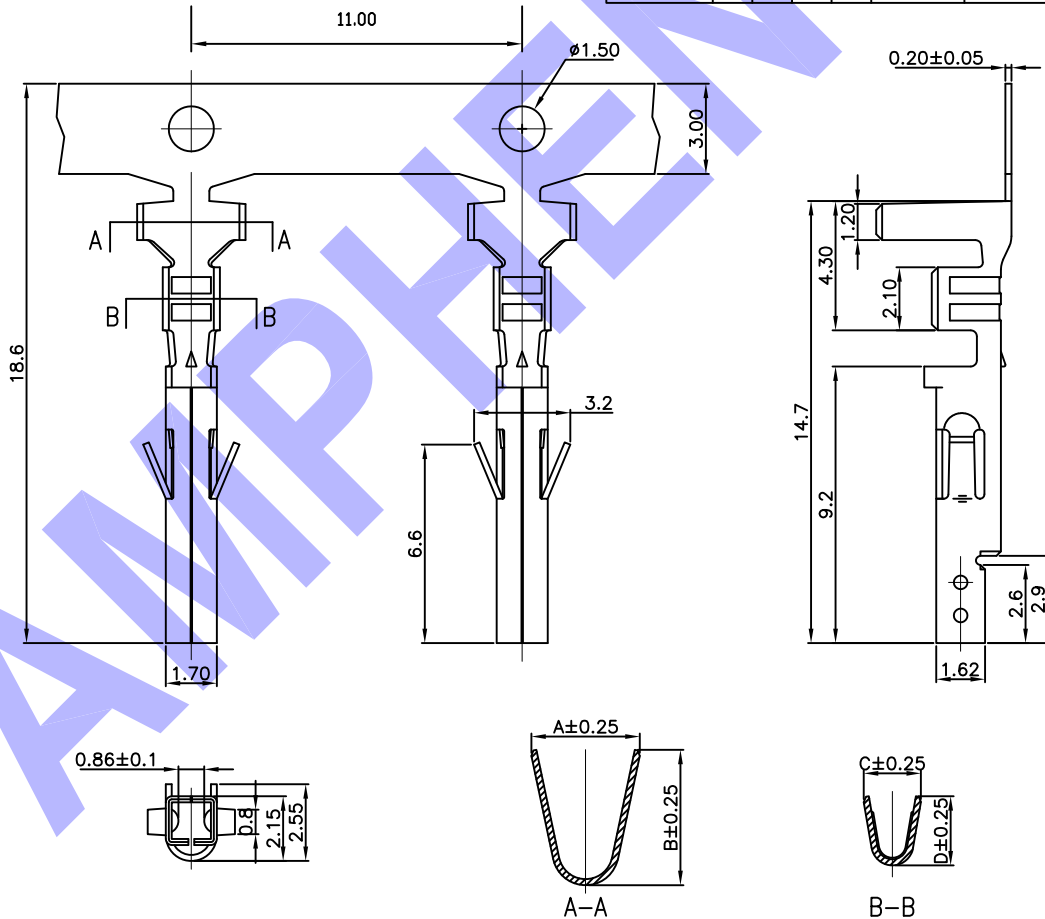
**Type**  
S= Straight  
R= R/A  
H= Housing  
or Contact

**Wafer:**  
D= Dip only  
P= w/Pegs  
E= w/Ear hole  
**Housing:**  
M= Male  
F= Female  
**Contact:**  
M= Male  
F= Female

**Wafer&Housing:**  
Blank  
**Contact:**  
T= Tin plated

**No. of Positions**  
02~24

Wire Apply	A	B	C	D	INS. O.D.	Q'ty/Reel
16AWG	3.6	4.5	2.3	2.7	∅3.1MAX	4,000Pcs
18~24AWG	3.6	4.5	1.9	2.3	∅1.3~3.1	4,000Pcs
22~28AWG	2.3	2.3	1.8	1.65	∅0.9~1.8	5,000Pcs



### General Specification

**Materials and Finish :**

**Contact :** Brass, T:0.2mm  
Finish: Tin plated  
**Applicable wires:** AWG# 18~24

**Electrical**(after assembled with MF42-HF):

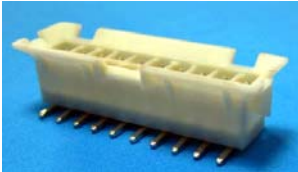
**Contact Resistance:** 10 mΩ max. at 1A DC  
**Insulation Resistance:** 1000 MΩ min, at 500 V/DC.  
**Dielectric Withstanding Voltage :** 1500 V AC/RMS 60Hz for one minute.  
**Current Rating :** 9A AC, DC  
**Voltage Rating :** 600V AC/RMS 60Hz, DC

**Environment :**

**Operating Temperature:** -40 degree C to +105 degree C

### MF42L

MF42 Series 4.2mm Pitch with Guide Lip



X

X

X

XX

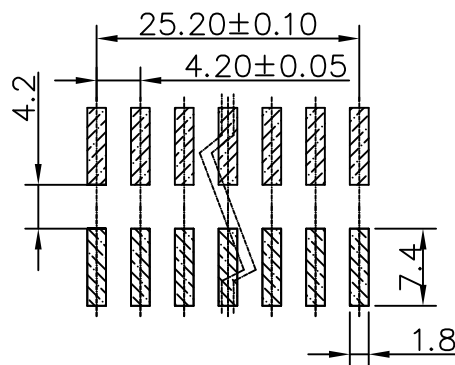
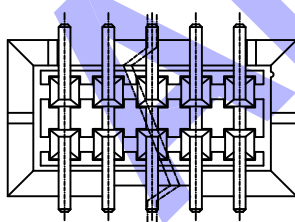
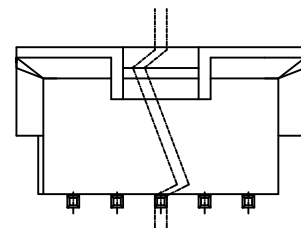
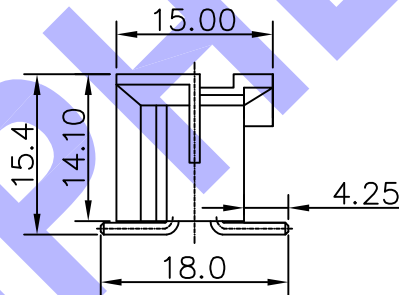
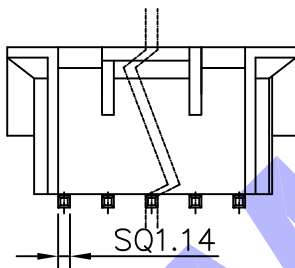
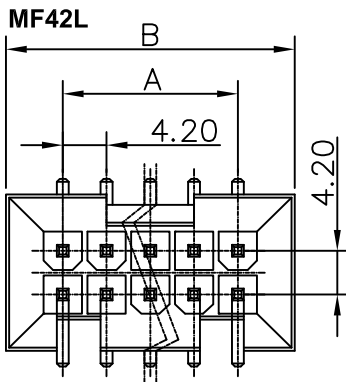
**Type**  
S= Straight  
R= R/A  
H= Housing or Contact

**Wafer:**  
P= Dip w/Pegs  
S= SMT w/o Pegs

**Wafer&Housing:**  
Blank  
**Contact:**  
T= Tin plated

**No. of Positions**  
06~36

Circuits	Dim A	Dim B	Circuits	Dim A	Dim B
6	8.4	19.3	22	42.0	52.9
8	12.6	23.5	24	46.2	57.1
10	16.8	27.7	26	50.4	61.3
12	21.0	31.9	28	54.6	65.5
14	25.2	36.1	30	58.8	69.7
16	29.4	40.3	32	63.0	73.9
18	33.6	44.5	34	67.2	78.1
20	37.8	48.7	36	71.4	82.3



RECOMMENDED PCB LAYOUT

### General Specification

**Materials and Finish :**

**Insulator:** Glass-reinforce thermoplastic, UL 94V-0, Nylon , Transparent white.

**Contact :** Brass, Tin plated.

**Electrical:**

**Contact Resistance:** 10 mΩ max. at 1A DC

**Insulation Resistance:** 1000 MΩ min, at 500 V/DC.

**Dielectric Withstanding Voltage :** 1500 V AC/RMS 60Hz for one minute.

**Current Rating :** 9A AC, DC

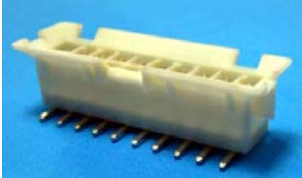
**Voltage Rating :** 600V AC/RMS 60Hz, DC

**Environment :**

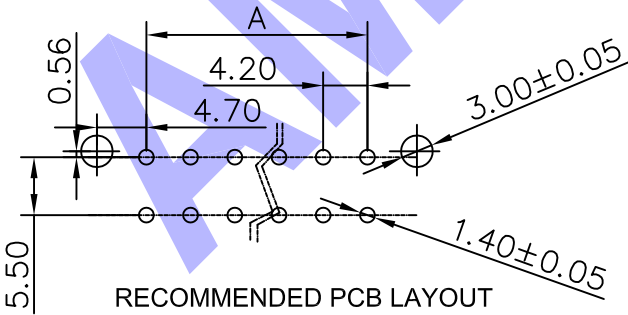
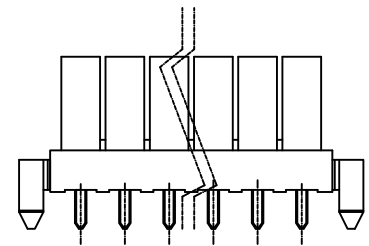
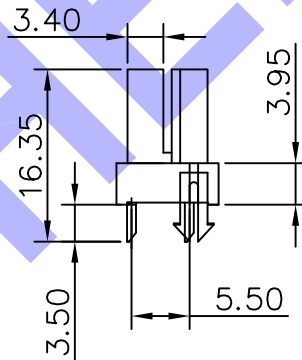
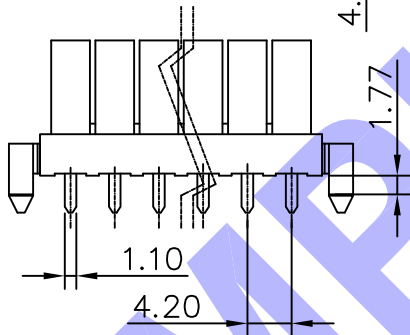
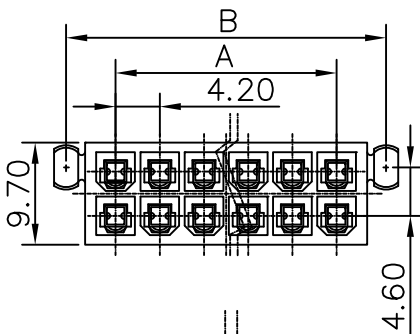
**Operating Temperature:** -40 degree C to +105 degree C

### MF42L

MF42 Series 4.2mm Pitch with Guide Lip



MF42L



**Type**  
 S= Straight  
 R= R/A  
 H= Housing or Contact

**Wafer:**  
 P= Dip w/Pegs  
 S= SMT w/o Pegs

**Wafer&Housing:**  
 Blank  
**Contact:**  
 T= Tin plated

**No. of Positions**  
 06~36

Circuits	Dim A	Dim B	Circuits	Dim A	Dim B
06	8.40	17.80	22	42.00	51.40
08	12.60	22.00	24	46.20	55.60
10	16.80	26.20	26	50.40	59.80
12	21.00	30.40	28	54.60	64.00
14	25.20	34.60	30	58.80	68.20
16	29.40	38.80	32	63.00	72.40
18	33.60	43.00	34	67.20	76.60
20	37.80	47.20	36	71.40	80.80

### General Specification

**Materials and Finish :**

**Insulator:** Glass-reinforce thermoplastic, UL 94V-0, Nylon , Transparent white.

**Contact :** Brass, Tin plated.

**Electrical:**

**Contact Resistance:** 10 mΩ max. at 1A DC

**Insulation Resistance:** 1000 MΩ min, at 500 V/DC.

**Dielectric Withstanding Voltage :** 1500 V AC/RMS 60Hz for one minute.

**Current Rating :** 9A AC, DC

**Voltage Rating :** 600V AC/RMS 60Hz, DC

**Environment :**

**Operating Temperature:** -40 degree C to +105 degree C

## X-ON Electronics

Largest Supplier of Electrical and Electronic Components

*Click to view similar products for [I/O Connectors](#) category:*

*Click to view products by [Amphenol](#) manufacturer:*

Other Similar products are found below :

[571763P](#) [58098-0628](#) [61-168618-12P](#) [D38999/20FJ24PA L/C](#) [D38999/20FJ29SB L/C](#) [72.250.1628.2](#) [72.250.2428.2](#) [74720-0505](#) [747680210](#)  
[76.350.0729.0](#) [76871-1403](#) [FCN-244F080-G/1](#) [FCN-260A9920](#) [FCN-268D024-G/2F#10X-R10](#) [MP-5T180MUNNA-005](#) [MP-5XRJ45UNNB-](#)  
[003](#) [PCS-E50FA](#) [PCS-XE26LKA](#) [PCS-XE26MA+](#) [PCS-XES68MS+](#) [G38A71314B](#) [91-569719-35R](#) [9776-18-6](#) [DX40-50P\(55\)](#) [1571250010](#)  
[157-22500-3](#) [MS3471L14-19P L/C](#) [171224-6031](#) [1888020-8](#) [91-569786-35H](#) [91-569786-35M](#) [91-644626-35P](#) [172501-4002](#) [172501-6002](#)  
[FCN-260C008-A/L0](#) [FCN-260C024-AL0](#) [FCN-268D008-G/1K](#) [2000314-1](#) [200331-1](#) [2007498-2](#) [PCR-E28LMDAG1+](#) [PCR-E36FC+](#) [PCS-](#)  
[E28FS+](#) [PCS-XE26SLFD+](#) [PCS-XE26SLFDT+](#) [G38A71214B](#) [HDRA-E68W1LFDTC-SL+](#) [HDR-E14MSG1+](#) [R88A-CNK81S](#) [CRT1-](#)  
[ATT02](#)