

MaxGain® 160

HIGH PERFORMANCE MICROWAVE COAXIAL CABLE

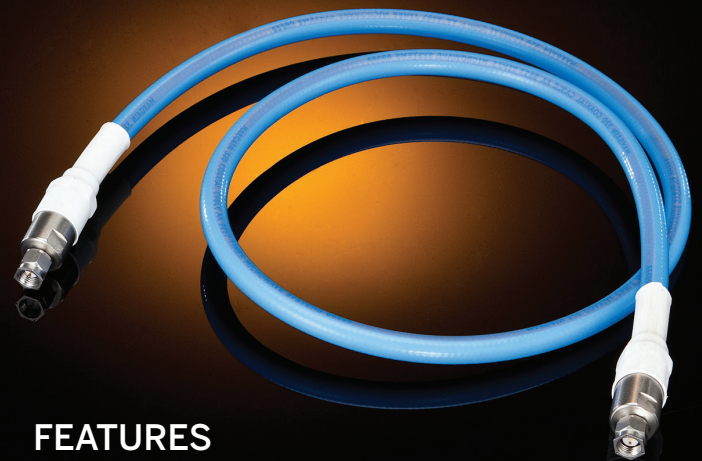
MaxGain® Assemblies are high-performance, ultra-low-loss microwave coaxial cables. Built with our unique spiral outer conductor technology, this light-weight cable is a reliable, high frequency interconnect solution.

MaxGain® Cable

Diameter	0.156"
Minimum Bend Radius	0.750" (Centerline)
Operating Temperature	-55°C to + 150°C
Weight	25.6 lbs/1000ft
Attenuation at 18 GHz	0.486 dB/ft
Attenuation at 40 GHz	0.743 dB/ft

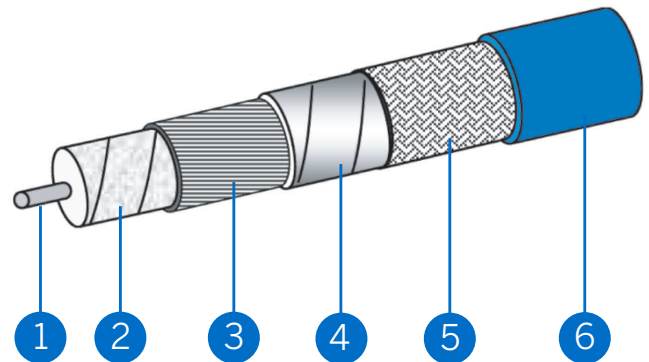
Electrical Properties

Maximum Frequency	42 GHz
Impedance	50 ohms
Capacitance	25.00 pf/ft
Velocity of Propagation	79.5%
Delay	1.28 ns/ft
Shielding	-90 dB minimum



FEATURES

- Optimized for lowest attenuation at 40 GHz
- Ultra-stable insertion loss, phase and VSWR with flexing
- Low smoke, zero halogen FEP jacket available
- Flexible, low minimum bend radius
- Superior shielding effectiveness (>90 dB)



1	Center Conductor	0.0359"	Silver Plated Copper
2	Dielectric	0.105"	Microporus PTFE
3	Shield	0.109"	Silver Plated Copper
4	Interlayer	0.116"	Metalized Tape
5	Outer Braid	0.134"	Silver Plated Copper Braid
6	Jacket	0.156"	Blue FEP

MaxGain® 160

HIGH PERFORMANCE MICROWAVE COAXIAL CABLE



Heritage—in the air and on the ground, hundreds of thousands of assemblies built over decades



Global manufacturing capability: US, Mexico & China



Assembled and tested MaxGain assemblies provide assured performance.

Ordering Guide

MG 160--KMKF-01.0-M

Interface

KM K Male
KF K Female
SM SMA Male
SF SMA Female

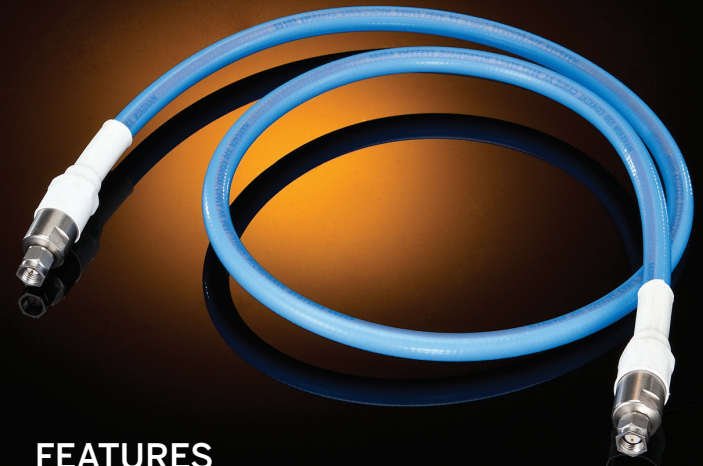
Length

Units of Measure

M Meters
F Feet

WORLD HEADQUARTERS
358 Hall Avenue, Wallingford, CT 06492
1-800-867-2629

TS
TIMES
MICROWAVE SYSTEMS
AN AMPHENOL COMPANY



MaxGain[®] 200

HIGH PERFORMANCE MICROWAVE COAXIAL CABLE

MaxGain[®] Assemblies are high-performance, ultra-low-loss microwave coaxial cables. Built with our unique spiral outer conductor technology, this light-weight cable is a reliable, high frequency interconnect solution.

MaxGain[®] Cable

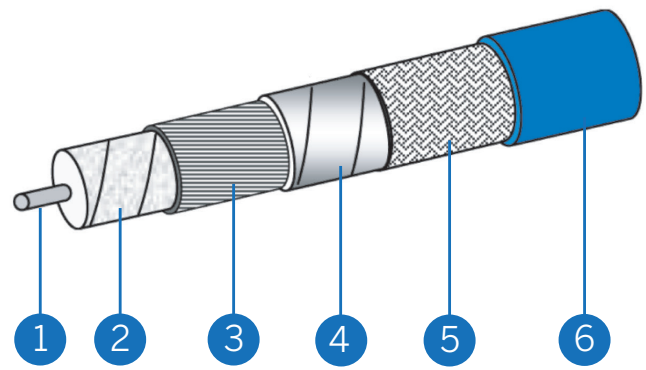
Diameter	0.197"
Minimum Bend Radius	1.25" (Centerline)
Operating Temperature	-55°C to + 150°C
Weight	39.1 lbs/1000ft
Attenuation at 18.0 GHz	0.356 dB/ft
Attenuation at 28.5 GHz	0.457 dB/ft

Electrical Properties

Maximum Frequency	30 GHz
Impedance	50 ohms
Capacitance	25.10 pf/ft
Velocity of Propagation	80%
Delay	1.27 ns/ft
Shielding	-90 dB minimum

FEATURES

- Optimized for lowest attenuation at 30 GHz
- Ultra-stable insertion loss, phase and VSWR with flexing
- Low smoke, zero halogen FEP jacket available
- Flexible, low minimum bend radius
- Superior shielding effectiveness (>90 dB)



- | | | | |
|---|------------------|---------|----------------------------|
| 1 | Center Conductor | 0.0508" | Silver Plated Copper |
| 2 | Dielectric | 0.146" | Microporus PTFE |
| 3 | Shield | 0.151" | Silver Plated Copper |
| 4 | Interlayer | 0.156" | Metalized Tape |
| 5 | Outer Braid | 0.174" | Silver Plated Copper Braid |
| 6 | Jacket | 0.197" | Blue FEP |

MaxGain[®] 200

HIGH PERFORMANCE MICROWAVE COAXIAL CABLE



Heritage—in the air and on the ground, hundreds of thousands of assemblies built over decades



Global manufacturing capability: US, Mexico & China



Assembled and tested MaxGain assemblies provide assured performance.

Ordering Guide

MG 200--KM KF-01.0-M

Interface

KM K Male
KF K Female
SM SMA Male
SF SMA Female

Length

Units of Measure

M Meters
F Feet

WORLD HEADQUARTERS

358 Hall Avenue, Wallingford, CT 06492
1-800-867-2629

TR
TIMES
MICROWAVE SYSTEMS
AN AMPHENOL COMPANY

X-ON Electronics

Largest Supplier of Electrical and Electronic Components

Click to view similar products for [RF Cable Assemblies](#) category:

Click to view products by [Amphenol](#) manufacturer:

Other Similar products are found below :

[73-6352-10](#) [73-6353-3](#) [R285001001](#) [R288940004](#) [145111-05-12.00](#) [1661-C-24](#) [1801171170914KE](#) [24P104C24J1-012](#) [24P104C24P1-006](#)
[24P104C24P1-018](#) [24P204C24J1-003](#) [172-2150-EX](#) [FCB-3030-ALT](#) [21117-046](#) [21117-050](#) [PCX-24-50](#) [24P103C24P2-003](#) [25P203C25P2-](#)
[003](#) [R284008001](#) [R285001021](#) [R285426000](#) [R288940003](#) [4814-BB-24](#) [5260-72](#) [JT2N1-CL1-1F](#) [DLP-COAX1](#) [4814-K-48](#) [115101-09-06.00](#)
[CCNTN2-MM-LL335-26](#) [73-6351-25](#) [73-6352-3](#) [73-6353-25](#) [1800920920610PJ](#) [GD0BQ0BQ024.0](#) [1-3636-600-5210](#) [TL8A-11SMA-](#)
[11SMA-01500-51](#) [R284C0351060](#) [R288940009](#) [R284C0351028](#) [R288940002](#) [9702-1SL-1](#) [PT82NSMA](#) [73-6353-10](#) [R285020301W](#) [PCX-](#)
[18-50](#) [Minibend-9](#) [Minibend-4](#) [BNC TO SMA Cable](#) [MIKROE-274](#) [Minibend-10](#)