

SOLDER WELL DATA					
CONTACT SIZE	0	4	8	12	16
WELL DIA	.469 ⁺ .005 -.003	.332 ⁺ .005 -.003	.209 ⁺ .004 -.002	.116 ⁺ .004 -.002	.078 ⁺ .004 -.002
WELL DEPTH ⁺ .031 -.000	.625	.625	.500	.375	.250

REVISIONS				
ZONE	LTR	DESCRIPTION	DATE	APPROVED
	B	(CLII) SHEET 1 REDRAWN, ADD SHEET 3, ADD 91-522589-84S & -84P & 91-522590-73 G-73H-73P & -73S & DATA, REM 9-3104-1, CHG'D H DIM SIZE-17 ECN: 72489-1	4-27-81	<i>Johnson</i> <i>Wollman</i> <i>4/30/81</i> <i>Ford</i>
	C	(CLII) ADD 91-522588-53S & DATA ECN: 75525-1	1-11-84	<i>CRANDALL</i> <i>Ford</i>

- 8. FOR CONTACT SIZE, SPACING AND SERVICE RATING SEE DRAWINGS MS33680/90, MS18070 (SHIPS) AND L-11908-() THRU L-11948-().
- 7. INSERTS ARE NOT REMOVABLE.
- 6. PACKAGE PER PRODUCTION PROCESS SHEET.
- 5. UNIT ILLUSTRATED MEETS THE REQUIREMENTS OF MISSILE COMMAND SPECIFICATION MIS-20045 (RAYTHEON) AND THE MATERIAL REQUIREMENTS OF MIL-C-22992.
- 4. SEE SEPARATE PARTS LIST FOR COMPONENT PART NUMBERS AND QUANTITIES.
- 3. SEE WORK ORDER FOR PERMISSIBLE, ADDITIONAL OR ALTERNATE STAMPING.
- 2. DIMENSION ILLUSTRATES FINAL INSTALLATION, PARTS ARE SHIPPED LOOSELY COUPLED.
- 1. FOR MATING RECEPTACLE ASSEMBLIES, SEE DRAWING 91-522562 THRU 91-522579.

- 11. COAX & TWINAX PINS ARE INSTALLED IN SOCKET INSERTS
COAX & TWINAX SOCKETS ARE INSTALLED IN PIN INSERTS.
- 10. FOR SIZE 0 CONTACT INCREASE Z DIMENSION BY .312 FOR SHELL SIZES 13 THRU 40.
- 9.

FIND NO.	QTY REQD	CODE IDENT	PART NUMBER	DESCRIPTION	NOTE REF
PARTS LIST					
UNLESS OTHERWISE SPECIFIED LINEAR DIMENSIONS ARE IN INCHES. TOLERANCES: .XXX ± .010, .XX ± .03, .X ± .1, ANGLES ± 2°. OTHER STANDARDS PER 9-3800 AND MIL-D-1000. NOTE REF			SIGNATURES PREPARED R.C. GOULD CHECKED <i>Keller</i> MATERIAL	DATES 8/1/73 4/30/81	The Bendix Corporation Electrical Components Division Sidney, New York TITLE: CONNECTOR, ELECTRICAL PLUG, TYPE GWLD () MC RFI, ELECTROLESS NICKEL COATING
MATERIAL SPEC	PROCESS SPEC TEST 9-7133 ----- 9-1180	APPROVED <i>Wollman</i> APPROVED <i>Wollman</i>	6-25-81 6/30/81	U	
			SIZE C	CODE IDENT NO. 77820	91-522582 THRU 91-522599
SCALE NONE			WT	REF 91-522536	SHEET 1 OF 3

NOTES:
USE OF THIS DOCUMENT IS UNLIMITED. DOCUMENTS REFERENCED HEREON CONTAIN LIMITED RIGHTS DATA. NEXT ASSEMBLY

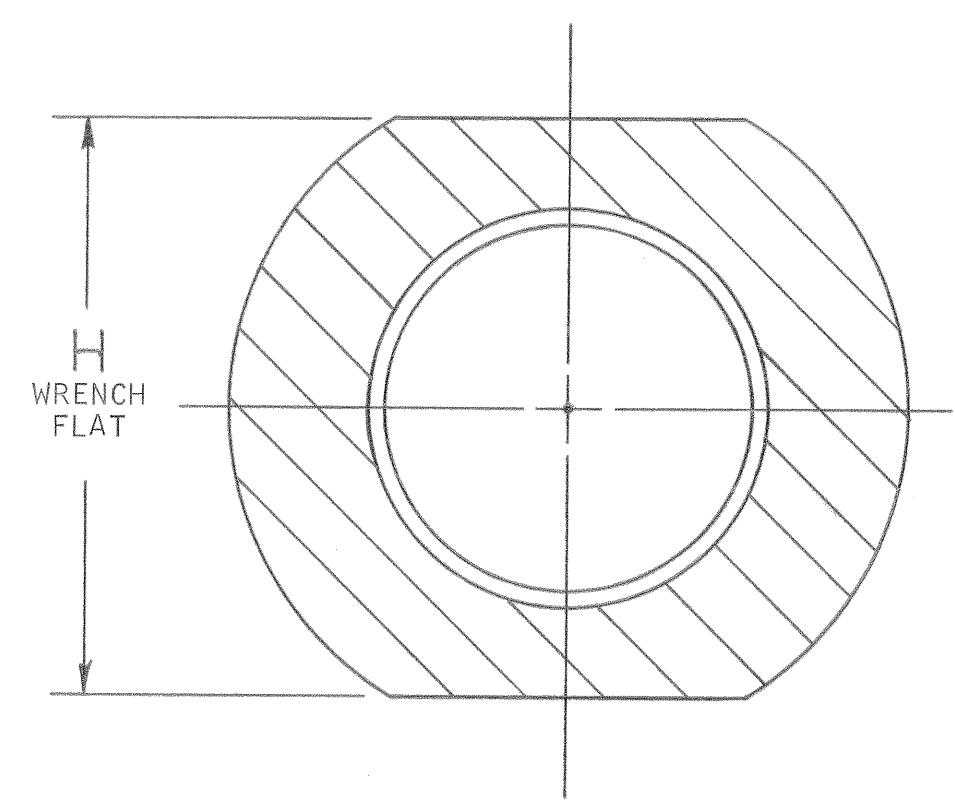
[91-522582 / 99]

4

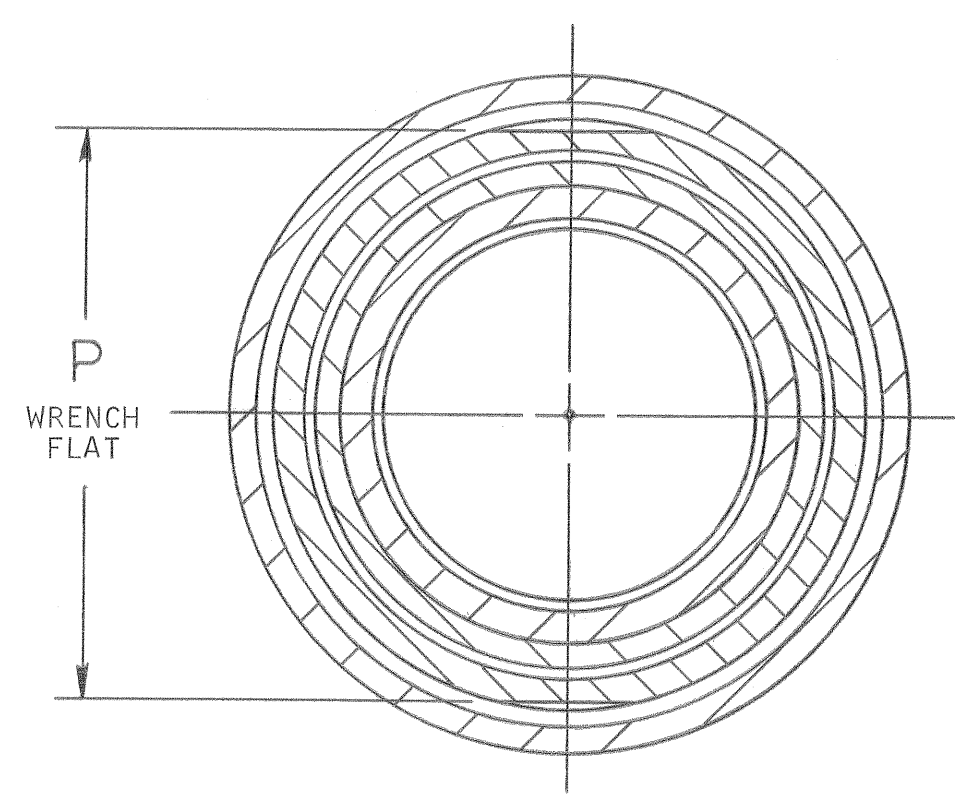
2

1

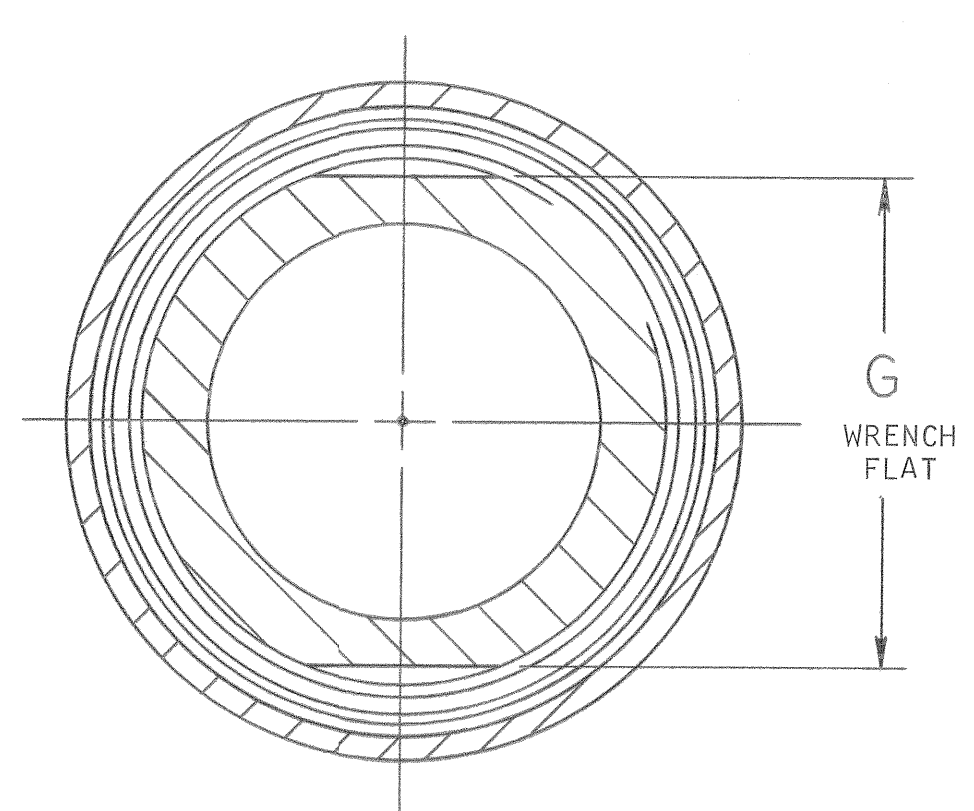
CONTACT DATA (WHERE APPLICABLE)		
THERMOCOUPLE		COAXIAL
MATERIAL	IDENT	
CHROMEL ALUMEL IRON CONSTANTAN	WHITE GREEN BLACK YELLOW	SEE NOTE 8
INSERT ARRANGEMENTS CONTAINING THERMOCOUPLE OR COAXIAL CON- TACTS MUST HAVE SUCH CONTACTS ASSEMBLED INTO THE INSERT IN PROPER LOCATIONS AS SPECIFIED BY APPLICABLE DRAWINGS L-11908-() THRU L-11948-(). EXAMPLE: FOR 91-522589-AH USE L-11928-AH. INTERNAL COMPON- ENTS OF COAXIAL CONTACTS MUST BE ASSEMBLED AND RETAINED BY A SUITABLE MEANS.		
ARRANG.	CABLE SIZE	Z2 MAX
18-83	RG212/U	1.047
20-98	RG108/U	1.078
28-AH	RG212/U	1.047



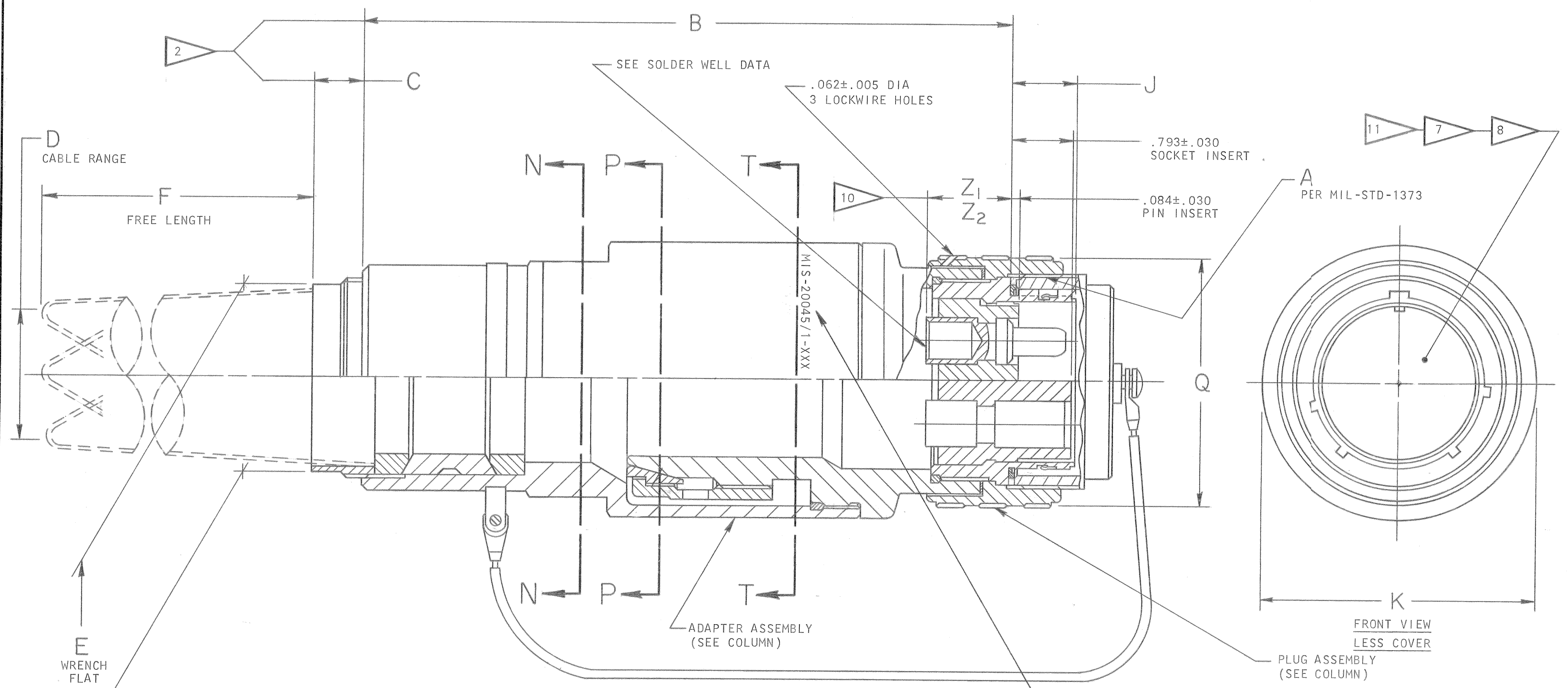
SECTION N-N



SECTION P-P



SECTION T-T



BLACK INK STAMP
 CUSTOMER NO. IN APPROX
 POSITION SHOWN PER 9-1180. CHARACTERS TO
 BE .062 HIGH
 EXAMPLE:
 MIS-20045/1-005

SIZE	CODE IDENT NO.	91-522582 THRU 91-522599
C	77820	
SCALE	WT	REF
		SHEET 2

REV	SYM	A1	A2	A3	B	C								
-----	-----	----	----	----	---	---	--	--	--	--	--	--	--	--

[91-522582/99]

ASSEMBLY NUMBER	SHELL SIZE	CUSTOMER NUMBER	PLUG ASSEMBLY	ADAPTER ASSEMBLY	A THREAD CLASS 2	B MAX	C ±.035	D MAX MIN	E +.001 -.010	F ±.250	G +.001 -.010	H +.001 -.010	J ±.005	K +.001 -.010	P +.001 -.010	Q DIA MAX	Z1 ±.042
91-522582-	13	NOT AVAILABLE															
91-522583-	15	NOT AVAILABLE															
91-522584-11S	17	MIS-20045/1-001	10-523044-11S	10-522759-171	1.125-0.1P-0.2L-DS	8.406	.562	.605 .511	1.000	6.188	.812	1.375	.766	1.812	1.156	1.469	.805
91-522584-11P	17	-002	10-523044-11P	-171	1.125		.562	.605 .511	1.000	6.188	.812	1.375		1.812	1.156	1.469	
91-522585-83S	18	-003	10-523045-83S	-181	1.250		.500	.500 .406	.875	6.344	1.000	1.375		1.937	1.312	1.563	
91-522585-83P	18	-004	10-523045-83P	-181	1.250		.500	.500 .406	.875	6.344	1.000	1.375		1.937	1.312	1.563	
91-522586-23S	20	-009	10-523046-23S	-202	1.375		.562	.900 .787	1.250	7.188	1.375	1.750		2.437	1.812	1.688	
91-522586-23P		-010	-23P	-202				.900 .787	1.250	7.188		1.750					
91-522586-27S		-013	-27S	-203				.805 .692	1.250	6.688		1.750					
91-522586-27P		-014	-27P	-203				.805 .692	1.250	6.688		1.750					
-98S		-007	-98S	-204				1.000 .875	1.500	7.188		2.000					
-98P		-008	-98P	-204				1.000 .875	1.500	7.188		2.000					
-4S		-005	-4S	-201				.605 .511	1.000	6.188	.812	1.250		1.812	1.156		
-4P		-006	-4P	-201				.605 .511	1.000	6.188	.812	1.250		1.812	1.156		
-24S		-011	-24S	-202				.900 .787	1.250	7.188	1.375	1.750		2.437	1.812		
-24P		-012	-24P	-202				.900 .787	1.250	7.188	1.375	1.750		2.437	1.812		
91-522587	22	NOT AVAILABLE															
91-522588-28S	24	MIS-20045/1-015	10-523048-28S	10-522759-241	1.750-0.1P-0.2L-DS	8.500		1.000 .875	1.500	7.188	1.375	2.000	.766	2.437	1.812	2.094	
91-522588-28P	24	-016	10-523048-28P	-241	1.750			1.000 .875	1.500	7.188	1.375	2.000		2.437	1.812	2.094	
91-522589-AHS	28	-017	10-523049-AHS	-281	2.000			1.109 .984	1.500	7.688	1.625	2.000		2.688	2.000	2.344	
91-522589-AHP	28	-018	10-523049-AHP	-281				1.109 .984	1.500	7.688	1.625	2.000		2.688	2.000	2.344	
91-522589-84S	28	-021	-84S	-282				1.180 1.055	1.750	8.188	1.625	2.438		2.588	2.000	2.344	
91-522589-84P	28	-022	-84P	-282				1.180 1.055	1.750	8.188	1.625	2.438		2.588	2.000	2.344	
91-522590-73G	32	-023	10-523050-73G	-320	2.250-0.1P-0.2L-DS	8.562		.900 .787	1.250	7.188	1.750	2.250		2.525	1.938	2.594	
91-522590-73H		-024	-73H	-321				1.055 .930	1.500	7.688	1.750	2.250		2.525	1.938	2.594	
91-522590-73S		-026	-73S	-321				1.055 .930	1.500	7.688	1.750	2.250		2.525	1.938	2.594	
91-522590-73P		-025	-73P	-320				.900 .787	1.250	7.188	1.750	2.250		2.525	1.938	2.594	
91-522591	36	NOT AVAILABLE															
91-522592	40	NOT AVAILABLE															
91-522593/99		NOT AVAILABLE															
91-522588-53S	24	MIS-20045/1-027	10-523048-53S	10-522759-241	1.750-0.1P-0.2L-DS	8.500		1.000 .875	1.500	7.188	1.375	2.000		2.437	1.812	2.094	

SEE SHEET 1
NOTES:

SIZE	CODE IDENT NO.	91-522582	THRU
C	77820	91-522599	

REV SYM	B	C										SCALE	WT	REF	SHEET	3
---------	---	---	--	--	--	--	--	--	--	--	--	-------	----	-----	-------	---

91-522582/99

X-ON Electronics

Largest Supplier of Electrical and Electronic Components

Click to view similar products for [Circular MIL Spec Connector](#) category:

Click to view products by [Amphenol](#) manufacturer:

Other Similar products are found below :

[0025-262-542](#) [0025-264-3014](#) [58-570121-04S](#) [0134-202-1200](#) [0134-207-1206](#) [0134-207-1800](#) [0134-207-2207](#) [0134-213-0806](#) [0134-213-1007](#) [0134-213-1009](#) [0134-213-1208](#) [0134-213-1800](#) [0134-213-2209](#) [0025-258-000](#) [015-9516-002](#) [60-042722-19P](#) [0114-201-1278](#) [602GB06EG24-61SN](#) [0134-201-1207](#) [0134-201-1806](#) [0134-201-2006](#) [0134-201-2007](#) [0134-201-2010](#) [0134-202-1400](#) [0134-207-0809](#) [0134-207-1208](#) [0134-207-2009](#) [0134-213-1006](#) [6104-207-2302](#) [6104-208-1902](#) [6131-202-19149P](#) [6131-204-21149P](#) [6131-207-13149P](#) [6131-208-13149P](#) [6131-209-17149P](#) [6131-210-11149P](#) [6131-211-19149P](#) [6131-216-19149P](#) [6131-220-25149P](#) [6131-259-11149P](#) [6131-259-21149P](#) [6131-259-23149P](#) [6131-263-19149P](#) [6131-265-17149P](#) [6131-265-19149P](#) [CS3102A-20-15P](#) [CS3102A-20-15S](#) [CS3102C18-4P-472](#) [CS3106A-20-29P](#) [CS3106A-20-74P](#)