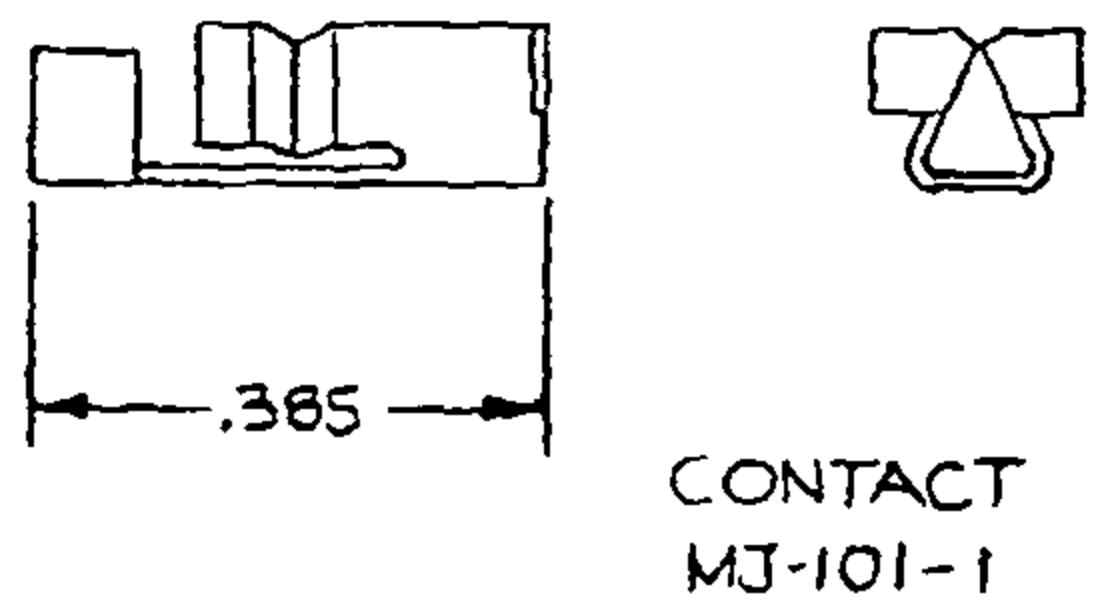
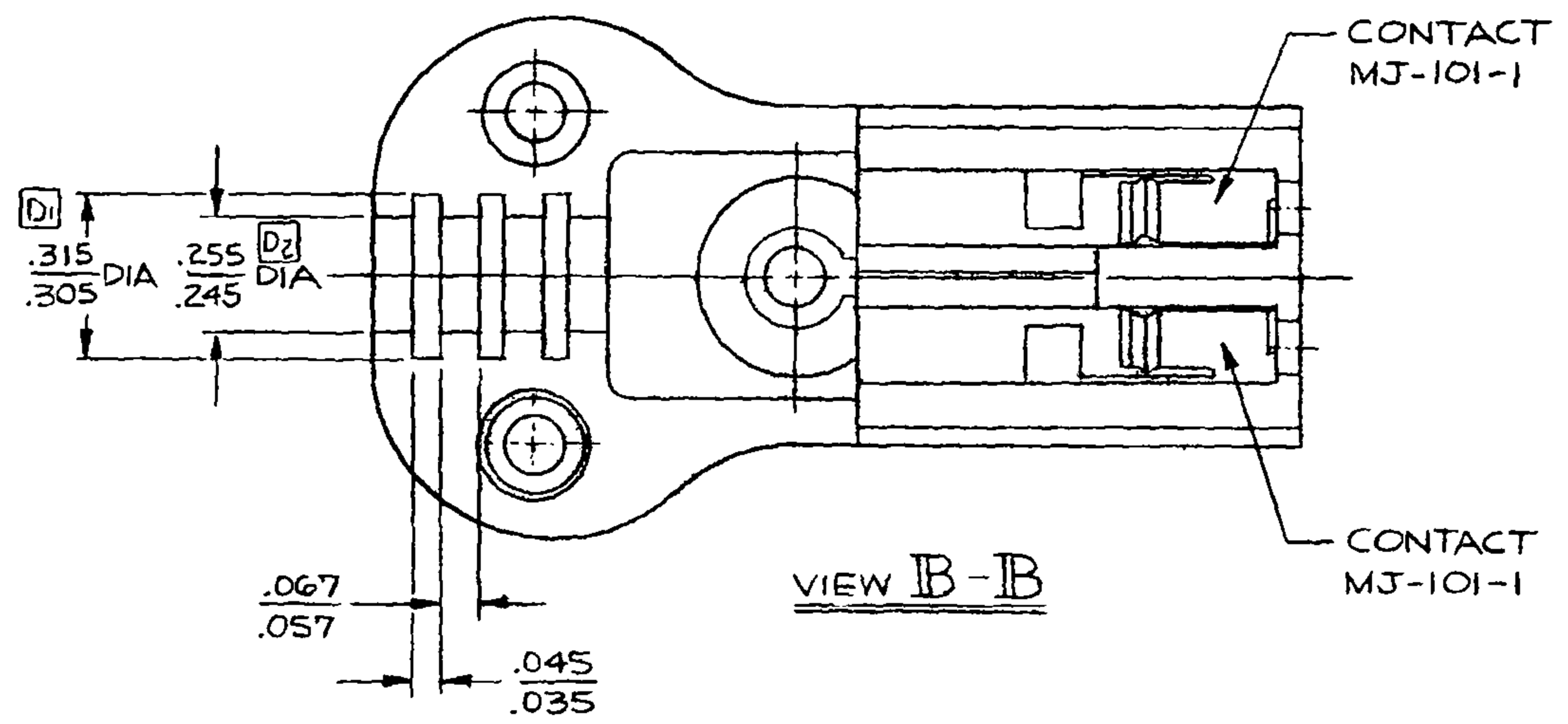
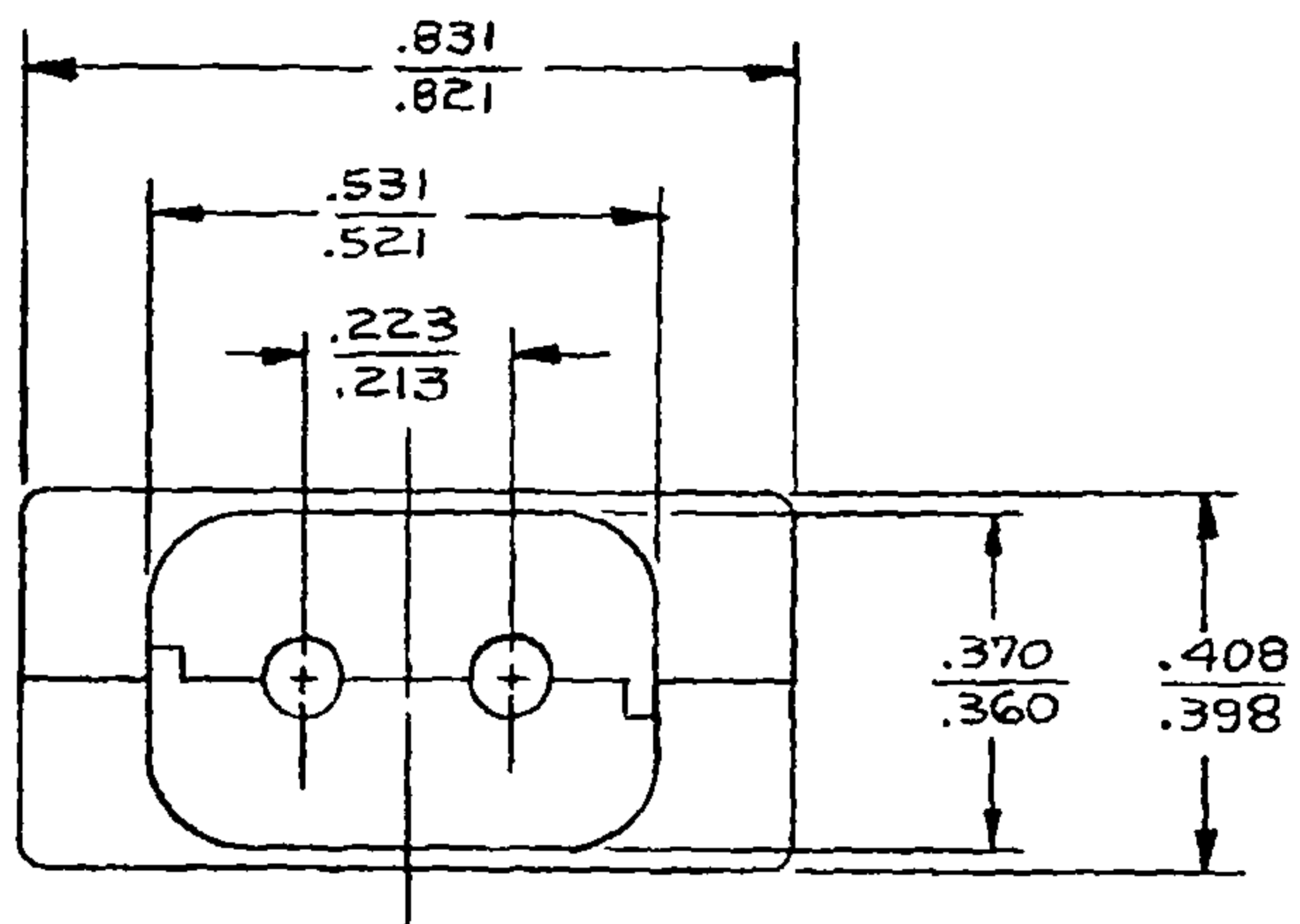
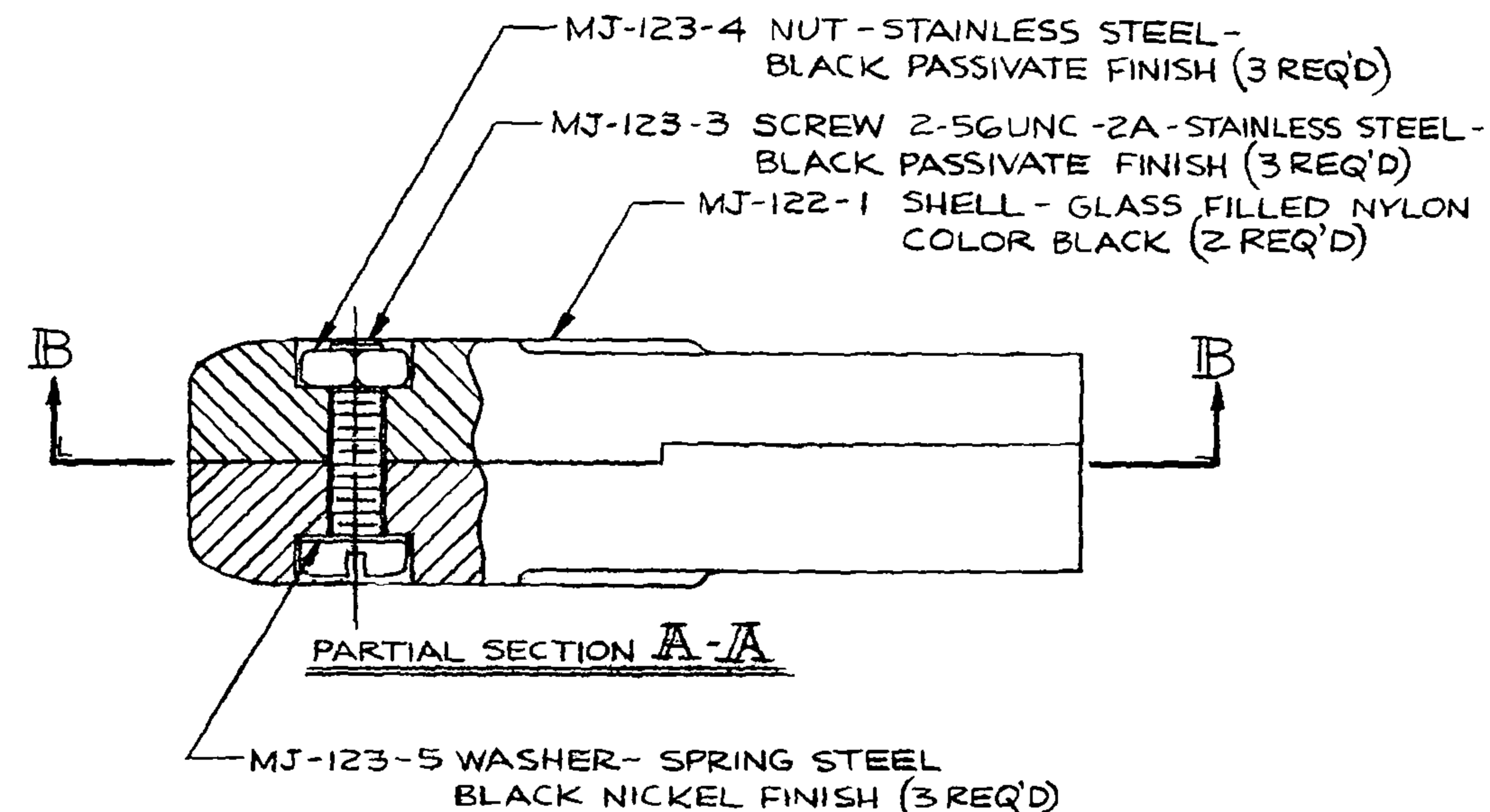


LETTERING RAISED .006



C MJ-122

| | | | | | |
|-------------|--|--------------|--|-------------------|--|
| DWN. BY 1DH | | DATE 10-2-85 | | MATERIAL | |
| CHECKED BY | | | | FINISH | |
| APP. BY | | | | WEIGHT | |
| | | | | SCALE 4:1 | |
| | | | | TITLE | |
| | | | | MICROPHONE JACK | |
| | | | | 2 CONDUCTOR | |
| | | | | DO NOT SCALE DWG. | |
| | | | | SHEET OF | |
| | | | | NEXUS | |
| | | | | STAMFORD, CONN. | |
| | | | | DWG. NO. | |
| | | | | C MJ-122 | |

| | |
|----------------------------|---------|
| UNLESS OTHERWISE SPECIFIED | 12/6/83 |
| DIMENSIONS ARE IN INCHES | |
| TOLERANCES ON | |
| FRACTIONS DECIMALS ANGLES | |

| | | | |
|------|--|---------|------|
| REV. | REVISION | DATE | CHK. |
| D | 2) .255/.245 WAS .189/.179 1) .315/.305 WAS .265/.255 | 12/6/83 | |
| C | REDRAWN - CONTACT CHANGED | 10-2-85 | |

X-ON Electronics

Largest Supplier of Electrical and Electronic Components

Click to view similar products for [Phone Connectors](#) category:

Click to view products by [Amphenol](#) manufacturer:

Other Similar products are found below :

[M444B](#) [6J1041A](#) [R4F](#) [E12BPKG](#) [ECP4PKG](#) [161-3502L-E](#) [MT333X](#) [171-0350-EX](#) [171-101A-EX](#) [171-3325-EX](#) [176S](#) [NC3MG-V](#)
[NYS228G](#) [P10834](#) [P2380](#) [P2381X](#) [P2411X](#) [P2412](#) [P2724](#) [JM2PB-AU BULK](#) [9144](#) [S2674](#) [280L](#) [163-156N-2-E](#) [163-158N-2-E](#) [171-3308-](#)
[EX](#) [171-3500-E](#) [2501FT](#) [CMT335](#) [M10662](#) [330Q](#) [RJ5VI-S](#) [40116](#) [TM1R-AU](#) [TM2PBMJ-AU](#) [TM2PJ-AU](#) [TM2PJ-AU BULK](#) [4803.1351](#)
[49201](#) [49205](#) [TS3PBJ-AU](#) [TS3PBMJ-AU](#) [TT32BX](#) [54B](#) [40112](#) [40205](#) [XMT332B](#) [52170017-331](#) [570](#) [NM3](#)