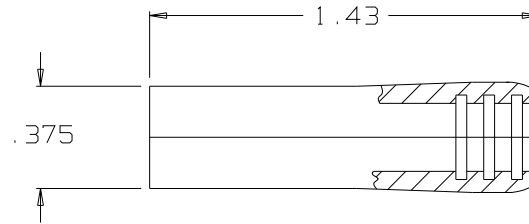
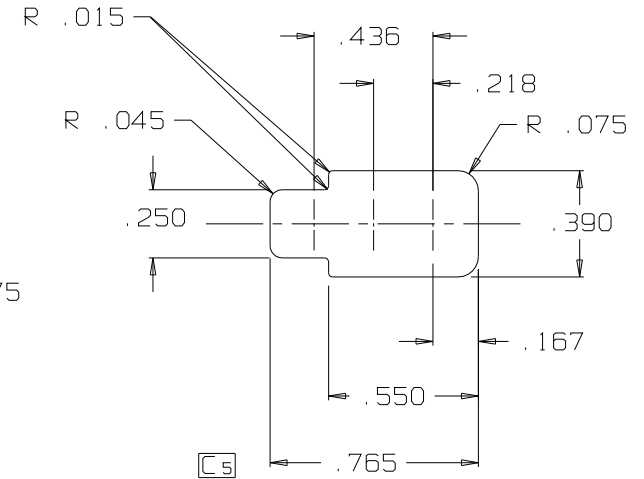


**B MJ-123**

**B1**



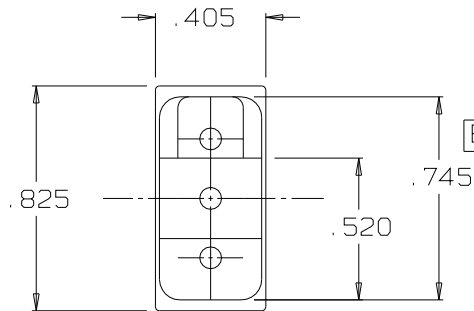
**B2**



EARCUP SOCKET DIMENSIONS  
DIMENSIONS IN THIS VIEW +/- .003

**A**

**B4**



**B3**

**C2**  
MC-121-2  
PIN ASSY

**C3**  
MJ-101-1  
CONTACT (2X)  
(NOT SHOWN)

**C4**

MC-121-3  
SHELL

MJ-123

Ø .175

**NOTES**

1. MATERIALS:

- SHELL - NYLON ZYTEL 101
- SCREWS - STAINLESS STEEL
- SPRINGWASHERS - STAINLESS STEEL **C1**
- NUTS - STAINLESS STEEL
- JACK CONTACTS - BeCu C17200
- PIN CONTACT - BeCu C17300

THIS DOCUMENT CONTAINS PROPRIETARY INFORMATION OF NEXUS, INCORPORATED AND SUCH INFORMATION MAY NOT BE DISCLOSED TO OTHERS FOR ANY PURPOSE OR USED FOR ANY PURPOSE WITHOUT THE WRITTEN CONSENT OF NEXUS.

<b>C</b>	5) ADDED "SOCKET"	0180	7/13/95		DWN. BY	DATE	MATERIAL SEE NOTE 1
	4) ADDED MC-121-3				M.N.F.	5/17/95	
<b>B</b>	3) ADDED MJ-101-1	0127	5/2/94	L.S.	CHECKED BY	DATE	FINISH _____
	2) ADDED MC-121-2				L.SMITH	5/17/95	WEIGHT _____ SCALE 2:1
<b>A</b>	1) WAS SPRING STEEL			F	APPR. BY	DATE	TITLE
					L.SMITH	5/17/95	MICROPHONE CONNECTOR
LET.	REVISION	CN #	DATE	CHK.	UNLESS OTHERWISE SPECIFIED DIMENSIONS ARE IN INCHES TOLERANCES ON FRACTIONS DECIMALS ANGLES		DO NOT SCALE DWG. SHEET 1 OF 1
						+/- .005	SIZE <b>B</b> DWG. NO. <b>MJ-123</b>

**NEXUS**  
STAMFORD, CONN

SIZE **B** DWG. NO. **MJ-123**

## X-ON Electronics

Largest Supplier of Electrical and Electronic Components

*Click to view similar products for [Phone Connectors](#) category:*

*Click to view products by [Amphenol](#) manufacturer:*

Other Similar products are found below :

[M444B](#) [6J1041A](#) [R4F](#) [E12BPKG](#) [ECP4PKG](#) [161-3502L-E](#) [MT333X](#) [171-0350-EX](#) [171-101A-EX](#) [171-3325-EX](#) [176S](#) [NC3MG-V](#)  
[NYS228G](#) [P10834](#) [P2380](#) [P2381X](#) [P2411X](#) [P2412](#) [P2724](#) [JM2PB-AU BULK](#) [9144](#) [S2674](#) [280L](#) [163-156N-2-E](#) [163-158N-2-E](#) [171-3308-](#)  
[EX](#) [171-3500-E](#) [2501FT](#) [CMT335](#) [M10662](#) [330Q](#) [RJ5VI-S](#) [40116](#) [TM1R-AU](#) [TM2PBMJ-AU](#) [TM2PJ-AU](#) [TM2PJ-AU BULK](#) [4803.1351](#)  
[49201](#) [49205](#) [TS3PBJ-AU](#) [TS3PBMJ-AU](#) [TT32BX](#) [54B](#) [40112](#) [40205](#) [XMT332B](#) [52170017-331](#) [570](#) [NM3](#)