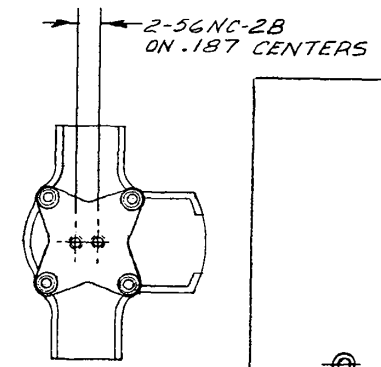
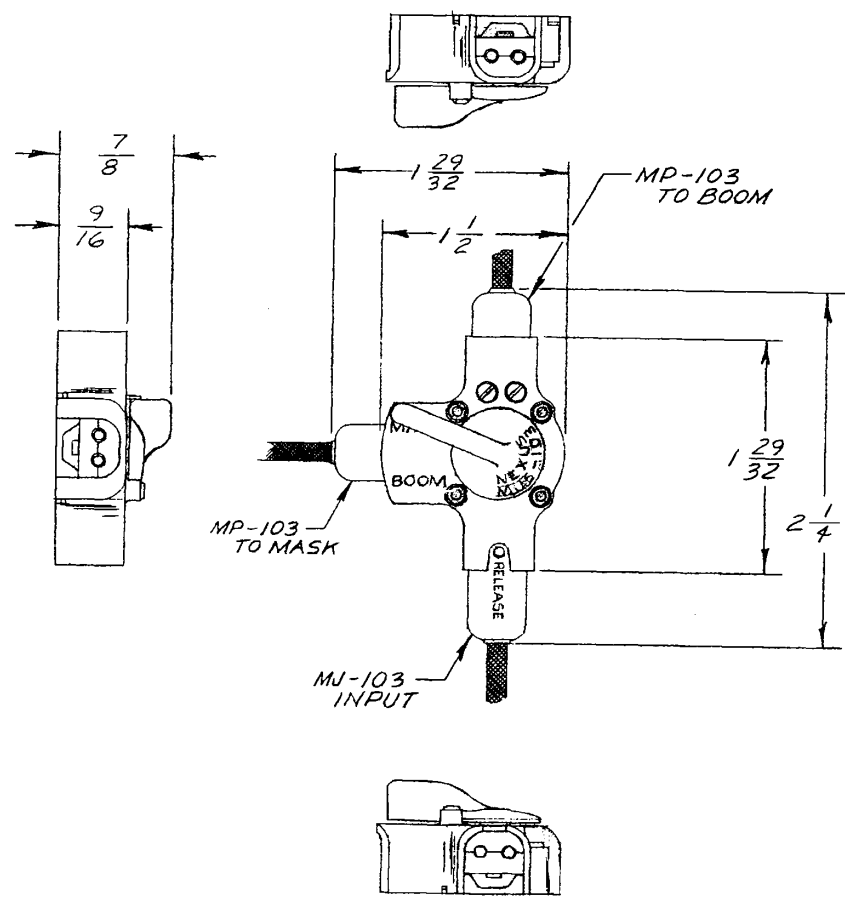


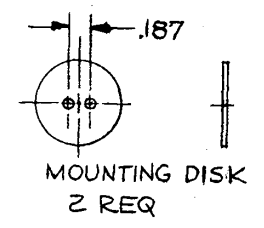
B MJS-103

NOTES:

1. MATING CONNECTORS (MJ-103 & MP-103) ARE NOT SUPPLIED WITH THIS ASSEMBLY - SHOWN FOR REFERENCE ONLY.
2. BOOM PLUG IS SECURED TO SWITCH ASSEMBLY BY (2) SET SCREWS. MASK PLUG IS SECURED TO SWITCH ASSEMBLY BY SPRING DETENTS - EXTRACTION FORCE IS 4 TO 8 POUNDS.
3. HI/LOW MICROPHONE CONTACTS ARE SWITCHED BY MOVEMENT OF LEVER, GROUND CONTACTS ARE NOT SWITCHED.



BOTTOM VIEW
MTG. BRACKET



- LOCKWASHER, SPLIT SCREW - *2-56 X 1/4 LG
2 REQ 2 REQ

TO ASSEMBLE NEXUS MJS-103 SWITCH TO A SPH-4 HELMET USE ALL HARDWARE SHOWN ABOVE. FAILURE TO USE LOCKWASHERS & 2 DISKS MAY CAUSE SWITCH TO JAM.

A	ADDED MOUNTING PAGES	0-2-06
LET	REVISION	DATE

OWN. BY EC	DATE 5/27/64	MATERIAL	
CHECKED BY		FINISH	
APPR. BY WBT	5/30/64	WEIGHT	SCALE 1:1
UNLESS OTHERWISE SPECIFIED		TITLE	
DIMENSIONS ARE TO UNLESS TOLERANCES OR FRACTIONS DECIMALS ANGLES		SELECTOR SWITCH, MICROPHONE - BOOM/MASK	
DO NOT SCALE DWG.		SHEET 1 OF 1	
		<p>NEXUS STAMFORD, CONN.</p>	
		SIZE B	DWG. NO. MJS-103

X-ON Electronics

Largest Supplier of Electrical and Electronic Components

Click to view similar products for [Phone Connectors](#) category:

Click to view products by [Amphenol](#) manufacturer:

Other Similar products are found below :

[M444B](#) [6J1041A](#) [R4F](#) [E12BPKG](#) [ECP4PKG](#) [161-3502L-E](#) [MT333X](#) [171-0350-EX](#) [171-101A-EX](#) [171-3325-EX](#) [176S](#) [NC3MG-V](#)
[NYS228G](#) [P10834](#) [P2380](#) [P2381X](#) [P2411X](#) [P2412](#) [P2724](#) [JM2PB-AU BULK](#) [9144](#) [S2674](#) [280L](#) [163-156N-2-E](#) [163-158N-2-E](#) [171-3308-](#)
[EX](#) [171-3500-E](#) [2501FT](#) [CMT335](#) [M10662](#) [330Q](#) [RJ5VI-S](#) [40116](#) [TM1R-AU](#) [TM2PBMJ-AU](#) [TM2PJ-AU](#) [TM2PJ-AU BULK](#) [4803.1351](#)
[49201](#) [49205](#) [TS3PBJ-AU](#) [TS3PBMJ-AU](#) [TT32BX](#) [54B](#) [40112](#) [40205](#) [XMT332B](#) [52170017-331](#) [570](#) [NM3](#)