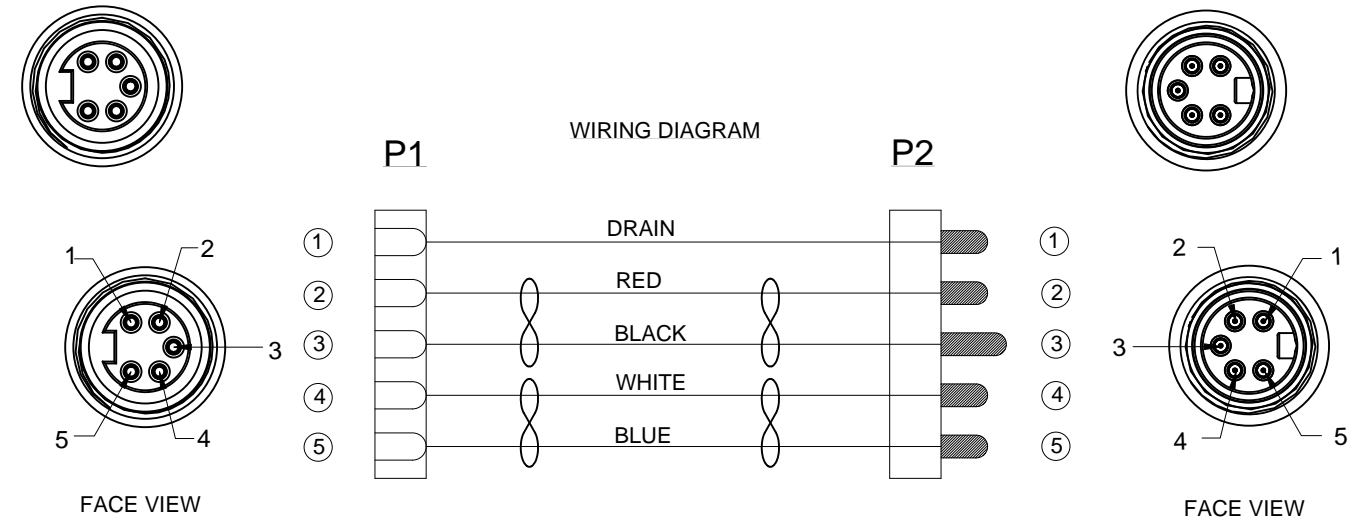
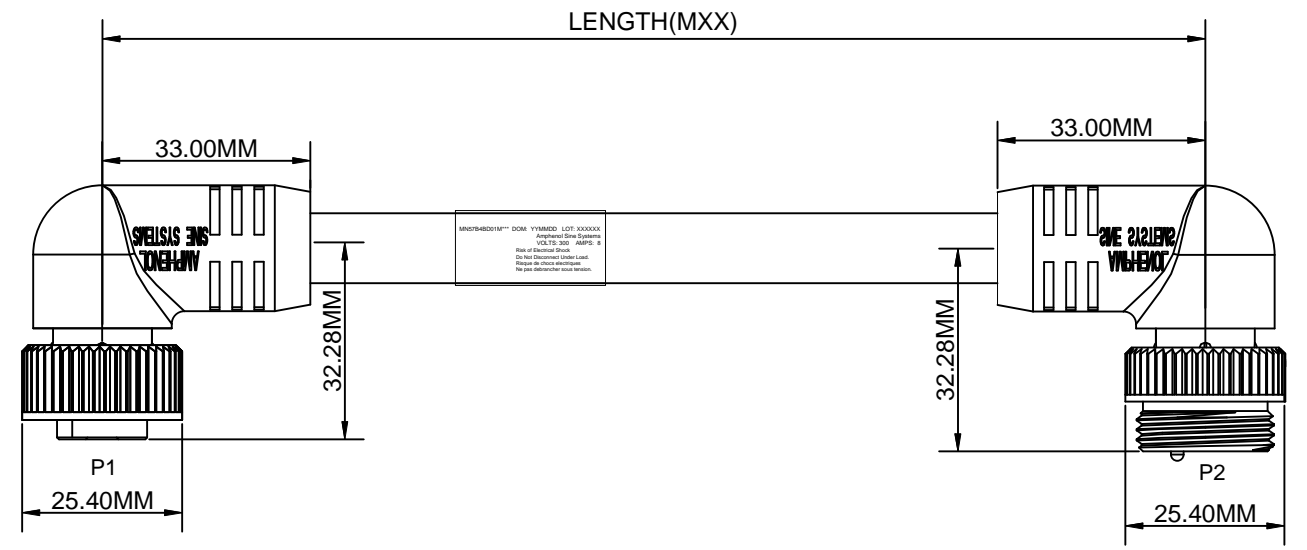


REVISIONS							
REV	ZONE	ECO	DESCRIPTION	DATE	BY	CHK	APPR
A1	-	-	TECHNICAL DATA SHEET RELEASE	30 OCT 15	JLAG	-	-



TECHNICAL DATA:

- 1) MATERIALS:
 - COUPLING NUT: MACHINED ALUMINUM, ANODIZED
 - CONTACT: GOLD FLASH OVER COPPER ALLOY
 - OVERMOLD MATERIAL: THERMOPLASTIC COLOR: GRAY
 - CABLE RATING: UL TYPE CL2 OR PLTC, CSA AWM I/II A/B, FT4 FLAME RATING, 300V, 80°C,
 - CABLE JACKET MATERIAL: PVC COLOR: GRAY
 - CONDUCTOR INSULATION: PVC
 - NUMBER OF CONDUCTORS: (2)15AWG (2)18AWG
- 2) ELECTRICAL DATA:
 - VOLTAGE (MAX): 300V AC/DC
 - INSULATION RESISTANCE (MIN): 5000M OHMS
 - DIELECTRIC TEST VOLTAGE: 2200V
- 3) MECHANICAL DATA:
 - TEMPERATURE RANGE: -20°C TO +105°C
 - PROTECTION: IP67 (MATED CONDITION)
 - MATING CYCLES: >500
 - VIBRATION RESISTANCE PER MIL-STD-202 METHOD 204
 - THERMAL SHOCK PER MIL-STD-202 METHOD 207
 - 48 HOUR SALT SPRAY PER MIL-STD-202 METHOD 101
- 4) RoHS COMPLIANT
- 5) UL 2238 LISTED ASSEMBLY
- UL FILE NUMBERS: E224856

Risk of Electrical Shock
Do Not Disconnect Under Load.
Risque de chocs électriques
Ne pas debrancher sous tension.

WARNING

TOLERANCE
0-2.99 M = +100.0/-25.0mm
3-8.99 M = +150.0/-25.0mm
9-14.99 M = +300.0/-25.0mm
15-OVER M = +450.0/-25.0mm

QUANTITY	PART NUMBER	DESCRIPTION	ITEM
MATERIALS LIST			
UNLESS OTHERWISE SPECIFIED		SIGNATURES	
1) All dimensions are in metric(mm).		DRAWN: KMM	DATE: 12-MAY-14
2) Tolerances are as follows:		CHECKED: MRF	DATE: 12-MAY-14
1 PL DEC ±0.30		ENGINEER: KMM	
2 PL DEC ±0.15		APPROVAL: RFC	DATE: 12-MAY-14
3 PL DEC ±0.08		CUSTOMER:	
3) Note reference =		THIS DRAWING IS SUPPLIED FOR INFORMATION ONLY. DESIGN FEATURES, SPECIFICATIONS AND PERFORMANCE DATA SHOWN HEREON ARE THE PROPERTY OF THE AMPHENOL CORPORATION. NO RIGHTS OF REPRODUCTION ARE IMPLIED. ALL DIMENSIONS ARE SUBJECT TO NORMAL MANUFACTURING VARIATIONS.	
MATERIAL SPECIFICATIONS:		MINIBOSS M22 (7/8"), 5 PIN, MALE INLINE, 90 DEGREE TO FEMALE, 90 DEGREE, DEVICENET THICK, PVC JACKET	
PROCESS SPECIFICATIONS:		SIZE: C-	TYPE: DWG NO: MN57B4BD01M
NEXT ASSY:		SCALE: HALF	REVISION: A1
		SHEET 1 OF 1	

TITLE: MN57B4BD01M-100-100-1 METERS
 DRAWN BY: KMM
 CHECKED BY: MRF
 DATE: 12-MAY-14
 SHEET 1 OF 1

X-ON Electronics

Largest Supplier of Electrical and Electronic Components

Click to view similar products for [Sensor Cables / Actuator Cables](#) category:

Click to view products by [Amphenol](#) manufacturer:

Other Similar products are found below :

[60963](#) [60964](#) [M83513/19-F01CP](#) [703000D02F2002](#) [703001D02F0602](#) [703001D02F300](#) [704000D02F120](#) [773032K02F030](#) [802027107404-1](#)
[802027213811-1](#) [804001A09M150](#) [805001A09M0502](#) [84914-0235](#) [84914-0237](#) [885030A09M020](#) [8R4J30E03C3003](#) [1200651332](#)
[1200651713](#) [1200660844](#) [1200660845](#) [1200661173](#) [1200680071](#) [1200720053](#) [1200720081](#) [1200720099](#) [1200720217](#) [1200800231](#)
[1200860125](#) [1200870123](#) [1200980102](#) [1200650267](#) [1200650298](#) [1200660183](#) [1200660782](#) [1200660849](#) [1200661295](#) [1200661297](#)
[1200661342](#) [1200661343](#) [1200670080](#) [1200670220](#) [1200680331](#) [1200720252](#) [1200730184](#) [1200860344](#) [1200870359](#) [1200870643](#)
[1200980008](#) [1200980031](#) [1210502211](#)