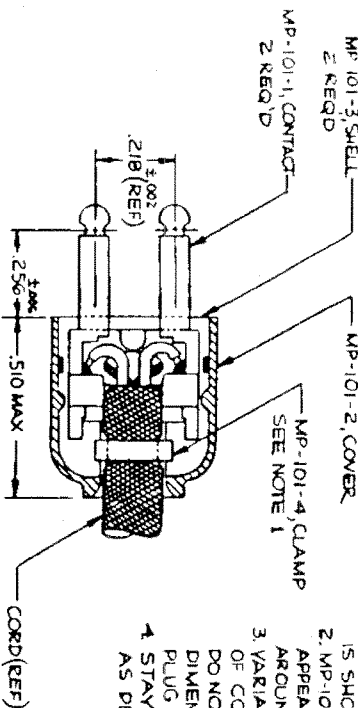
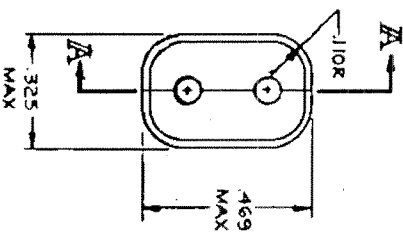
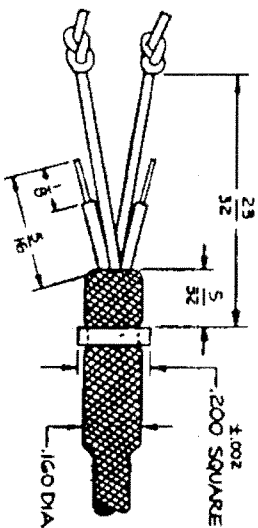
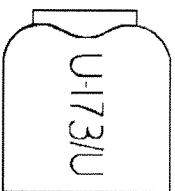


SUGGESTED LEAD PRESS

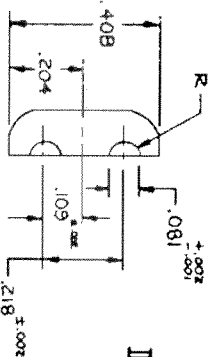
OPTION 1 (SHOWN)-ONE STAY CORD IS THREADED THROUGH EACH SHELL AND ITS KNOT IS PLACED IN THE HOLE IN THE OTHER SHELL.
 OPTION 2 - BOTH STAY CORDS ARE THREADED THROUGH THE SAME SHELL AND ARE TIED BY A SQUARE KNOT OVER THE HOLE IN THE OTHER SHELL. THE CORDS ARE THEN TRIMMED.
 NOTE: VARNISH ALL KNOTS.



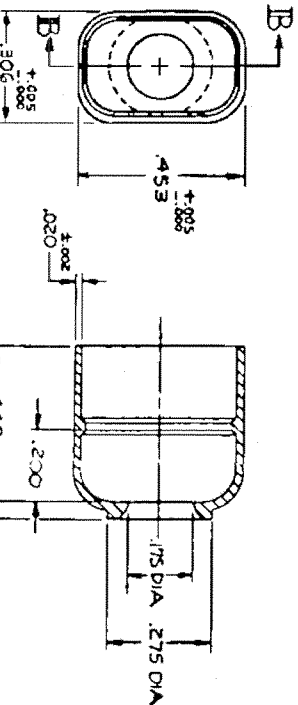
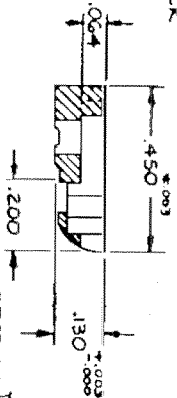
NOTES:
 1. PLUG IS SUPPLIED UNASSEMBLED ASSEMBLED POSITION ON CORD IS SHOWN.
 2. MP-101-4 CLAMP IS SHOWN AS IT APPEARS AFTER CRIMPING AROUND CORD.
 3. VARIATIONS OF DIMENSIONS OF COMPONENT PARTS THAT DO NOT AFFECT OVERALL DIMENSIONS OF ASSEMBLED PLUG ARE PERMISSIBLE.
 4. STAY CORDS ARE SHOWN AS DESCRIBED IN OPTION 2.



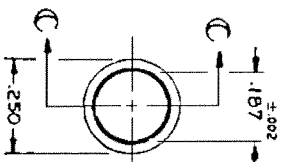
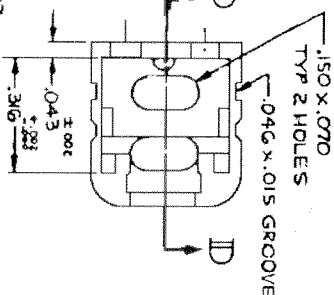
SHELL - MP-101-2
 MATERIAL: NYLON PER MIL-M-20693, TYPE I, COLOR BLACK



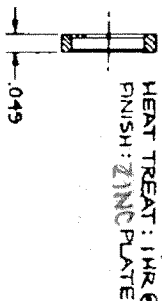
INSERT - MP-101-3
 MATERIAL: NYLON PER MIL-M-20693, TYPE I, COLOR BLACK



150 X 070
 TYP 2 HOLES
 .046 X .015 GROOVE

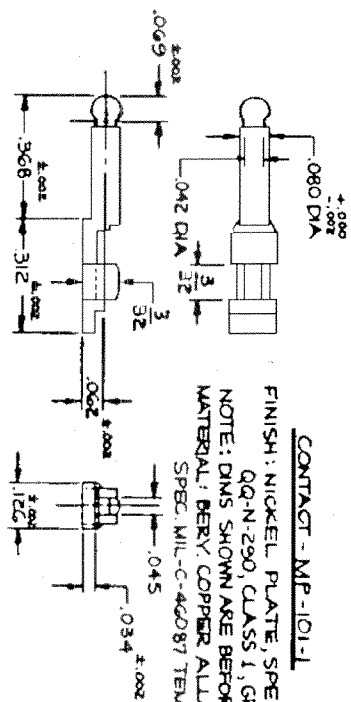


SECTION C-C



CLAMP - MP-101-4
 MATERIAL: BRASS PER QQ-B-626 COMP 22 1/2 HD.
 HEAT TREAT: 1HR @ 700°F
 FINISH: ZINC PLATE

CONTACT - MP-101-1



FINISH: NICKEL PLATE, SPEC QQ-N-290, CLASS 1, GRADE G.
 NOTE: DIMS SHOWN ARE BEFORE PLATING.
 MATERIAL: BERYL COPPER ALLOY H0175.
 SPEC. MIL-C-46087 TEMP AT.

REV	DESCRIPTION	DATE	BY	CHKD
K	CHG PLATING TO Ni	9/30/68	WJ	WJ
J	INSERT CHANGED TO NYLON PER MIL-M-20693, TYPE I, COLOR BLACK	8/27/68	WJ	WJ
H	1.73 DIA SHELL MP-101-2	8/27/68	WJ	WJ
G	MS MIL-M-20693	8/27/68	WJ	WJ
F	CLAMP G WAS THE DESIGN	8/27/68	WJ	WJ
E	REVISION NO CHANGES MADE	8/27/68	WJ	WJ

ITEM NO	U-173/U	REV	1
DATE	9/30/68	BY	WJ
CHKD	WJ	DATE	9/30/68
SCALE	4:1	PROJECT	MP-101
TITLE	MICROPHONE PLUG	DESIGNER	WJ
DO NOT SCALE DIMS		DATE	9/30/68
REV	C	MP-101	

NEXUS
 STANDARD CORP.

X-ON Electronics

Largest Supplier of Electrical and Electronic Components

Click to view similar products for [amphenol manufacturer](#):

Other Similar products are found below :

[CTV06RGQF-17-52P](#) [CTVPS00RGF-23-6P-LC](#) [GC835TY2S](#) [CF-509621-29P](#) [BF8-1218-31SV-Y70](#) [TVP00RGW-23-6SA\(LC\)](#)
[RNJ27CI1535P014](#) [10-553998-139](#) [21-033388-031](#) [10-507142-843](#) [GTS06G-32-7S](#) [GTC06-36-78PX-023](#) [ACC02E28-51S-003-B30-LC](#)
[TV06RL-13-35SD-LC](#) [TV06RL-13-35SD](#) [TV06RL-13-98SD-LC](#) [TV06RL-13-98SD](#) [GTC08AF32-15SX-B30-LC](#) [GTC06G32-76PZ](#)
[TVP00RW-23-53AD](#) [100-007-213-002-001](#) [5M30-61](#) [FSPP-103-00-004](#) [360031](#) [10-037090-161](#) [10-541504-001](#) [10-580902-409](#) [TV97RW-](#)
[9-9S\(S15\)](#) [TVPS00RGF-9-5P-LC](#) [TVPS00RGF-9-5PA-LC](#) [TVP00RGQW-21-75P-LC](#) [TV06RW-25-90AE](#) [97-3108B16S-5PW-417](#) [PT06J20-](#)
[24SW](#) [97-3108B16S-4PY-417](#) [97-3108B16S-4PX-417](#) [97-3108B16S-5PY-417](#) [97-3108B16S-4PW-417](#) [CS-DSDMDB37MF-025](#) [97-](#)
[3108B16S-5PZ-417](#) [TV06RW-25-46AE](#) [TVS07RF-21-16AA](#) [TVS07RF-21-39BA](#) [60261626SNCOND1](#) [SE00TVW09](#) [CF-5A9013-04N](#) [CF-](#)
[6A4615-06N](#) [GTS01-22-22PX-025-116](#) [GTS01-22-22P-025-116](#) [GTS01-22-22P-116](#)