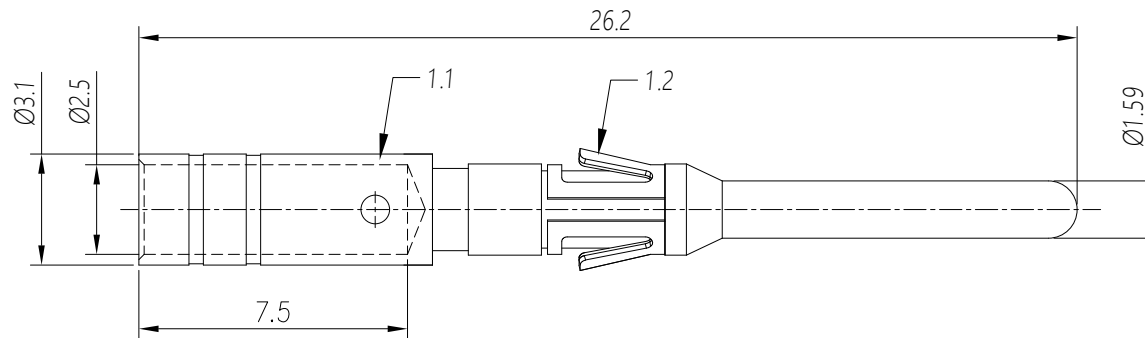


| REVISIONS | | | | | |
|-----------|-----|------------------|-------------|-----|-------|
| REV | ECO | DESCRIPTION | DATE | BY | APPR |
| B1 | - | RELEASED DRAWING | JULY-1-2014 | BEN | TOMMY |



- NOTES: (UNLESS OTHERWISE SPECIFIED)
- MATERIAL:
 - CONTACT BODY: COPPER ALLOY.
 - POSITIONING CLIP: COPPER ALLOY.
 - SPECIFICATIONS:
 - CURRENT RATING: 13A(MAX).
 - TERMINATION TYPE: CRIMPING.
 - WIRE RANGE: 16~14AWG.
 - SUITABLE SOCKET TYPE: MS14M23xx.
 - ROHS COMPLIANT.
 - ALL DIMENSIONS ARE FOR REFERENCE USE ONLY.

| P/N | CONTACT PLATING(MATING AREA) |
|------------|-------------------------------------|
| MP14M23T | TIN PLATING OVER NICKEL. |
| MP14M23S | SILVER PLATING OVER NICKEL. |
| MP14M23F | GOLD FLASH PLATING OVER NICKEL. |
| MP14M23G10 | 10 μ "GOLD PLATING OVER NICKEL. |
| MP14M23G15 | 15 μ "GOLD PLATING OVER NICKEL. |
| MP14M23G30 | 30 μ "GOLD PLATING OVER NICKEL. |

| QUANTITY | PART NUMBER | DESCRIPTION | ITEM |
|--|-------------|---|---|
| MATERIALS LIST | | | |
| <small>UNLESS OTHERWISE SPECIFIED</small> 1) All dimensions are in metric(mm). 2) Tolerances are as follows: 1 PL DEC ± 0.30 2 PL DEC ± 0.15 3 PL DEC ± 0.08 Fractions $\pm 1/64$ Angles $\pm 1^\circ$ 3) Note reference = | | SIGNATURES DRAWN: BEN CHECKED: ENGINEER: APPROVAL: DATE: JULY-1-2014 | Amphenol Sine Systems - www.amphenol-sine.com 44724 Morley Drive Clinton Township, MI 48036 |
| MATERIAL SPECIFICATIONS: PROCESS SPECIFICATIONS: NEXT ASSY: | | CUSTOMER: THIS DRAWING IS SUPPLIED FOR INFORMATION ONLY. DESIGN FEATURES, SPECIFICATIONS AND PERFORMANCE DATA SHOWN HEREON ARE THE PROPERTY OF THE AMPHENOL CORPORATION. NO RIGHTS OF REPRODUCTION ARE IMPLIED. ALL DIMENSIONS ARE SUBJECT TO NORMAL MANUFACTURING VARIATIONS. | ECO-MATE, PIN CONTACT, MACHINE, 16-14AWG, SIZE 16 SIZE: B TYPE: C- DWG NO: MP14M23xx REVISION: B1 SCALE: NONE SHEET 1 OF 1 |

TITLE: ECO-MATE PIN CONTACT MACHINE, 16-14AWG, SIZE 16
 DWG NO: MP14M23xx
 REV: B1
 SH: 1
 OF: 1

X-ON Electronics

Largest Supplier of Electrical and Electronic Components

Click to view similar products for [Standard Circular Contacts](#) category:

Click to view products by [Amphenol](#) manufacturer:

Other Similar products are found below :

[RC16M23J](#) [133780-1](#) [RM20M13D28](#) [RM24M9D28](#) [MS3474W10-6P L/C](#) [164-901-CD](#) [EN3545007SCE](#) [BV002BSQ20049CZ](#)
[BV002SSQ160404CZ](#) [1900ND05S1B00B](#) [192900-0061](#) [192900-0575](#) [166566-1](#) [1900ND04S1X00D](#) [192900-0058](#) [ST-JL05-16S-C3-100](#)
[ST-JL05-20S-C1-100](#) [ST-JL05-20S-C2-100](#) [T01-CRIMP-S03](#) [APK-SA16A07-002](#) [CONT-JL05-08S-C2-10](#) [RC16M-23T](#) [RFD26L-1D28](#)
[BV002ASJ16049CW](#) [JN1-22-20S-R-PKG100](#) [031-50565](#) [ELFH08251](#) [SJS861301M](#) [ST-JL05-16S-C1-100](#) [ST-JL05-20P-C1-100](#) [82911466K](#)
[ESLM03200](#) [192991-0087](#) [192900-0570](#) [ELFH07251](#) [44-104-10003-02](#) [T3P16FC3LZ](#) [ST-JL05-16S-C2-3500](#) [ZP-4016-10NF](#) [CONT-JL05-](#)
[12P-C1-10](#) [RM20M12G8D28](#) [031-50676](#) [12115010110](#) [RJFTVC2MG](#) [CAP-DACMDPC2](#) [031-50675-002](#) [CAP-DD1FDPC2](#) [CAP-](#)
[DACMDPC1](#) [031-50966-010](#) [ASSP-10-F-A-C-SA](#)