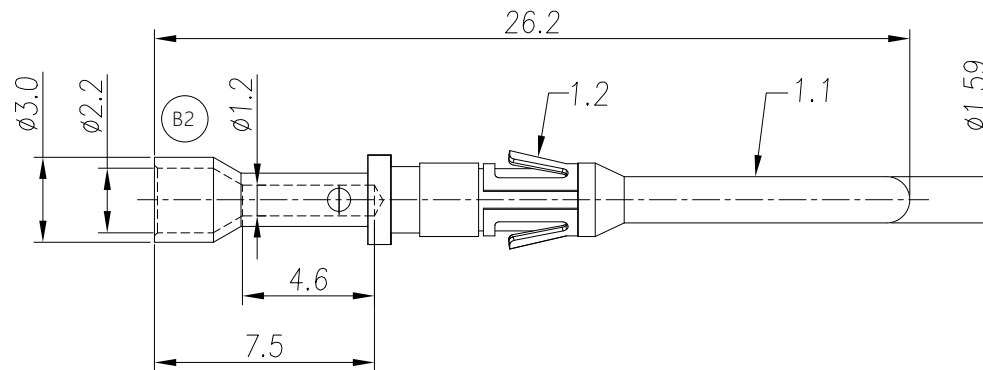


REVISIONS					
REV	ECO	DESCRIPTION	DATE	BY	APPR
B1	-	RELEASED DRAWING	JUN-18-2014	BEN	TOMMY
B2	-	Update drawing	Jun-21-18	Flan	Tommy



- NOTES: (UNLESS OTHERWISE SPECIFIED)
- MATERIAL:
 - CONTACT BODY: COPPER ALLOY.
 - POSITIONING CLIP: COPPER ALLOY.
 - SPECIFICATIONS:
 - CURRENT RATING: 13A(MAX).
 - TERMINATION TYPE: CRIMPING.
 - WIRE RANGE: 20~22AWG.
 - SUITABLE SOCKET TYPE: MS20M23XX.
 - RoHS COMPLIANT.
 - ALL DIMENSIONS ARE FOR REFERENCE USE ONLY.

P/N	CONTACT PLATING(MATING AREA)
MP20M23T	TIN PLATING OVER NICKEL.
MP20M23S	SILVER PLATING OVER NICKEL.
MP20M23F	GOLD FLASH PLATING OVER NICKEL.
MP20M23G5	5μ"GOLD PLATING OVER NICKEL.
MP20M23G10	10μ"GOLD PLATING OVER NICKEL.
MP20M23G15	15μ"GOLD PLATING OVER NICKEL.
MP20M23G30	30μ"GOLD PLATING OVER NICKEL.

QUANTITY	PART NUMBER	DESCRIPTION	ITEM										
MATERIALS LIST													
<small>UNLESS OTHERWISE SPECIFIED: 1) All dimensions are in metric(mm). 2) Tolerances are as follows: 1 PL DEC ±0.30 2 PL DEC ±0.15 3 PL DEC ±0.08 Fractions ±1/64 Angles ±1°</small>		<table border="1"> <thead> <tr> <th>SIGNATURES</th> <th>DATE</th> </tr> </thead> <tbody> <tr> <td>DRAWN: Flan</td> <td>Jun-21-18</td> </tr> <tr> <td>CHECKED: Tod</td> <td>Jun-21-18</td> </tr> <tr> <td>ENGINEER:</td> <td></td> </tr> <tr> <td>APPROVAL: Tommy</td> <td>Jun-21-18</td> </tr> </tbody> </table>		SIGNATURES	DATE	DRAWN: Flan	Jun-21-18	CHECKED: Tod	Jun-21-18	ENGINEER:		APPROVAL: Tommy	Jun-21-18
SIGNATURES	DATE												
DRAWN: Flan	Jun-21-18												
CHECKED: Tod	Jun-21-18												
ENGINEER:													
APPROVAL: Tommy	Jun-21-18												
<small>MATERIAL SPECIFICATIONS:</small>		Amphenol Sine Systems - www.amphenol-sine.com 44724 Morley Drive Clinton Township, MI 48036											
<small>PROCESS SPECIFICATIONS:</small>		ECO-MATE, PIN CONTACT MACHINE, 20-22AWG, SIZE 16											
<small>NEXT ASSY:</small>		<small>SIZE</small> B <small>TYPE</small> C- <small>DWG NO:</small> MP20M23XX <small>REVISION</small> B2	<small>SCALE</small> NONE <small>SHEET</small> 1 <small>OF</small> 1										

TITLE: ECO-MATE PIN CONTACT MACHINE, 20-22AWG, SIZE 16
 DWG NO: MP20M23XX
 REV: B2
 SH: 1
 OF: 1

X-ON Electronics

Largest Supplier of Electrical and Electronic Components

Click to view similar products for [Standard Circular Contacts](#) category:

Click to view products by [Amphenol](#) manufacturer:

Other Similar products are found below :

[RC16M23J](#) [133780-1](#) [RM20M13D28](#) [RM24M9D28](#) [MS3474W10-6P L/C](#) [ELVP16100E](#) [164-901-CD](#) [EN3545007SCE](#)
[BV002BSQ20049CZ](#) [BV002SSQ160404CZ](#) [1900ND05S1B00B](#) [192900-0061](#) [192900-0575](#) [192900-0718](#) [166566-1](#) [1900ND04S1X00D](#)
[192900-0058](#) [192900-0309](#) [ST-JL05-16S-C3-100](#) [ST-JL05-20S-C1-100](#) [ST-JL05-20S-C2-100](#) [T01-CRIMP-S03](#) [APK-SA16A07-002](#) [CONT-](#)
[JL05-08S-C2-10](#) [RC16M-23T](#) [RFD26L-1D28](#) [BV002ASJ16049CW](#) [JN1-22-20S-R-PKG100](#) [031-50565](#) [ELFH08251](#) [ELFP0641GE](#)
[SJS861301M](#) [ST-JL05-16S-C1-100](#) [ST-JL05-20P-C1-100](#) [82911466K](#) [ESLM03200](#) [192991-0087](#) [192900-0570](#) [ELFH07251](#) [44-104-10003-](#)
[02](#) [T3P16FC3LZ](#) [ST-JL05-16S-C2-3500](#) [ZP-4016-10NF](#) [CONT-JL05-12P-C1-10](#) [RM20M12G8D28](#) [031-50676](#) [12115010110](#) [RJFTVC2MG](#)
[CAP-DACMDPC2](#) [031-50675-002](#)