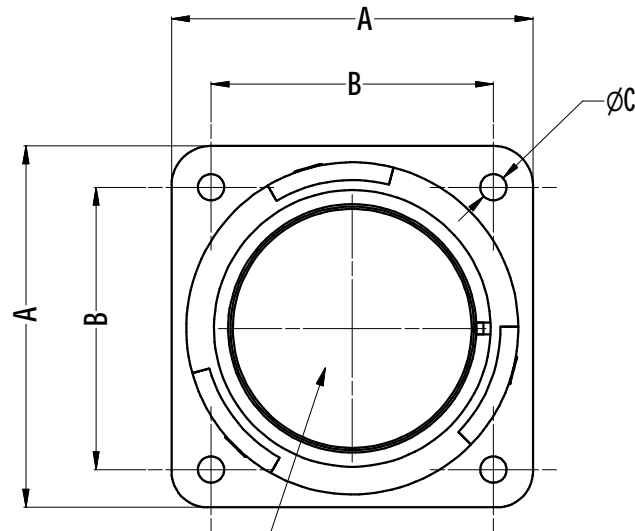
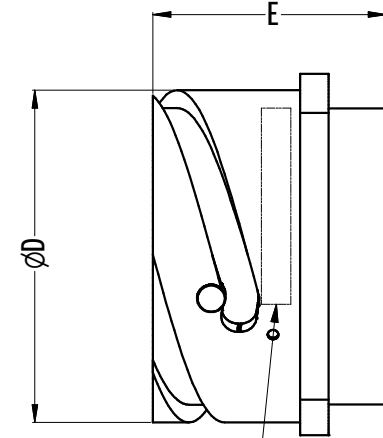


ISOMETRIC VIEW



CONTACT HOLES NOT SHOWN,  
FOR No OF CONTACTS REFER TO TABLE



Amphenol LOGO & PART No



| Parts No List, Dimensions in mm |              |               |      |      |       |       |      |       |
|---------------------------------|--------------|---------------|------|------|-------|-------|------|-------|
| ITEM                            | CATALOGUE P/ | No OF CONTACT | A    | B    | DIA C | DIA D | E    | DIA F |
| 1                               | MP-4102-13P  | 13            | 38.0 | 29.4 | 3.23  | 34.2  | 34.5 | 29.0  |
| 2                               | MP-4102-19P  | 19            | 41.0 | 31.8 | 3.23  | 37.4  | 34.5 | 32.2  |
| 3                               | MP-4102-25P  | 25            | 44.5 | 34.9 | 3.73  | 40.9  | 35.7 | 35.3  |
| 4                               | MP-4102-37P  | 37            | 50.8 | 39.7 | 3.73  | 46.7  | 35.7 | 41.4  |
| 5                               | MP-4102-54P  | 54            | 57.0 | 44.5 | 4.30  | 53.4  | 38.5 | 47.8  |
| 6                               | MP-4102-85P  | 85            | 69.8 | 55.5 | 4.30  | 65.5  | 38.5 | 59.0  |
| 7                               | MP-4102-150P | 150           | 69.8 | 55.5 | 4.30  | 65.5  | 38.5 | 59.0  |

|      |  |     |            |        |
|------|--|-----|------------|--------|
| 4    | CHANGE FINISH TO BLACK COATING                       | T.N | 17/02/2006 | 8478   |
| 3    | CHANGE FINISH NOTES<br>ADD STAINLESS STEEL WEAR PINS | T.N | 09/09/2005 | 8422   |
| 2    | CHANGE FINISH FROM PLATING TO COATING                | L.V | 16/04/2004 | 8277   |
| 1    | CHANGE DIM 56.50 TO 55.50<br>ADD NOTE (ZONE D3)      | T.N | 18/11/2003 | 8236   |
| 0    | <b>FIRST ISSUE</b>                                   | T.N | 21/08/2003 | ----   |
| REV. | CHANGE DETAILS                                       | BY  | DATE       | CHG/No |

### CUSTOMER DRAWING

**NOTES:**

1. MATERIAL AND FINISH: DIE CAST ALUMINUM ALLOY, BLACK FINISH
2. SUPPLIED WITH GOLD PLATED CRIMP PIN CONTACTS

|  |  |  |  |                             |  |                          |  |            |                  |   |  |                 |  |
|--|--|--|--|-----------------------------|--|--------------------------|--|------------|------------------|---|--|-----------------|--|
| UNLESS OTHERWISE SPECIFIED TOLERANCE TO BE |  | THIS DOCUMENT IS THE PROPERTY OF AMPHENOL AUSTRALIA PTY. LTD.. NO PART THEREOF MAY BE REPRODUCED AND USED WITHOUT THE PRIOR WRITTEN CONSENT OF THE OWNER |  |                             |  | CAD FILE: 55010250000214 |  | DRN: T.N   | DATE: 21/08/2003 | TITLE: <b>PANEL RECP PLUG WITH PIN CONTACTS</b> |  | <b>Amphenol</b> |  |
| LINEAR                                     |  | ANGULAR  |  | MATERIAL: <b>SEE NOTE 1</b> |  |                          |  | CKD: P.M   | DATE: 20/02/06   | DRAWING NO. 55010250-000-2                      |  | SHEET 2/2       |  |
| X ±<br>X.X ±<br>X.XX ±                     |  | X' ± 1<br>X'X' ± 30'<br>X'X'X' ± 15'   |  | FINISH: <b>SEE NOTE 1</b>   |  |                          |  | APP'D: P.M | DATE: 20/02/06   | PART No: <b>SEE TABLE</b>                       |  | SIZE: A4        |  |
| BREAK ALL SHARP EDGES AND REMOVE ALL BURRS |  | DO NOT SCALE   |  | DIMENSIONS IN MILLIMETRES   |  | THIRD ANGLE PROJECTION   |  | SCALE:     |                  | PART No: <b>SEE TABLE</b>                       |  | SIZE: A4        |  |

Amphenol Australia Pty Ltd, 2 Fiveways Blvd, Keaysborough, Vic 3172

## X-ON Electronics

Largest Supplier of Electrical and Electronic Components

*Click to view similar products for [Standard Circular Connector](#) category:*

*Click to view products by [Amphenol](#) manufacturer:*

Other Similar products are found below :

[5M2530B10P](#) [600259N006](#) [600273N007](#) [6134-336-13149](#) [6134-337-11149](#) [6134-337-2390](#) [6134-341-17149](#) [6280-4SG-516](#) [6280-7SG-3DC](#)  
[6290](#) [6291A](#) [66200A-10](#) [680-SMG](#) [681-PMG](#) [CXS3102A14S2P](#) [CXS3102A181S](#) [7251-6SG-300](#) [7271-6SG-300](#) [7282-3PG-300-CH3](#) [75-](#)  
[474014-05S](#) [75-474618-01S](#) [75-474618-04P](#) [75-474618-04S](#) [799539-000](#) [MI8-SE](#) [805-005-07NF11-19PC](#) [805-005-07NF15-7PA](#) [8280-4PG-](#)  
[516](#) [8280-7PG-519](#) [8282-5PG-519](#) [836783-1](#) [MP-4102-25P-C](#) [862256-1](#) [864019-2](#) [866857-1](#) [867865-1](#) [PT01SP-14-18P](#) [PT08P-14-5S](#)  
[PTSF06SE-14-12S](#) [120-1833-000](#) [QCM019PC2DC012B](#) [1-2069279-1](#) [121583-0217](#) [121667-0020](#) [129591AU](#) [1000B BULK](#) [RD10A16-19-](#)  
[P6CS051/1](#) [RD10A20-31-P8CS051/1](#) [RD16A14-12-S6CS051/2](#) [1301240290](#) [1301240347](#)