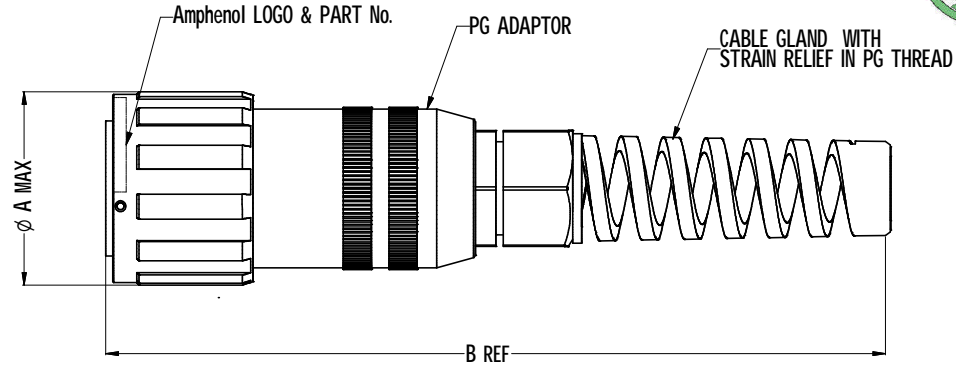
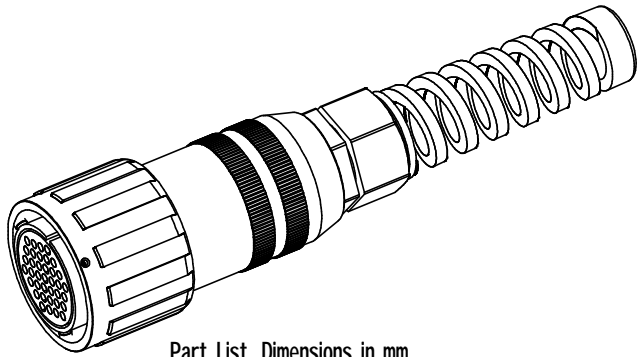




Part List, Dimensions in mm

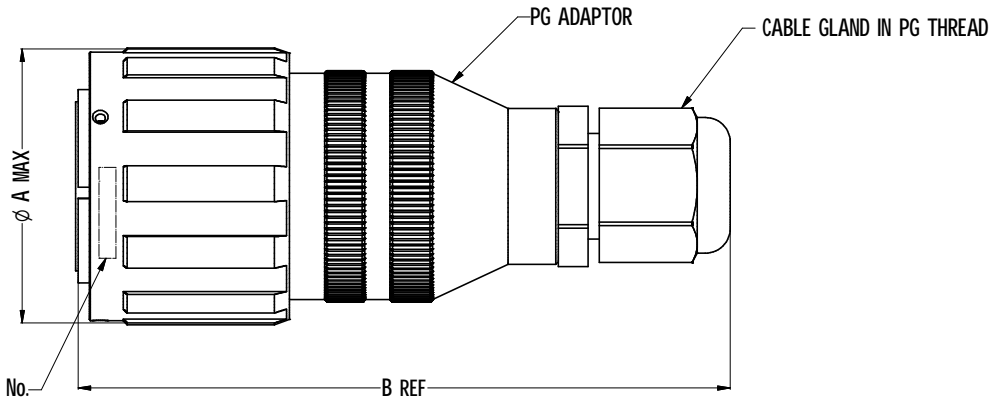
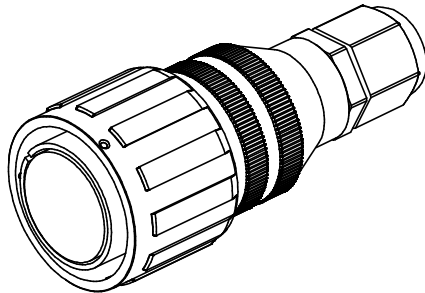
PART No	No OF CONTACTS	CABLE GLAND SIZE	DIA A	LENGTH B	ROLLER PIN
MP-4106-13S	13	PG11	39.9	160	NO
MP-4106-19S	19	PG13.5	43.1	171	NO
MP-4106-25S	25	PG16	46.6	193	NO
MP-4106-37S	37	PG21	53.4	210	NO
MP-4106-54S	54	PG21	60.7	210	YES



13, 19, 25, 37 AND 54 CONTACT TYPE

Part List, Dimensions in mm

PART No	No. OF CONTACTS	CABLE GLAND SIZE	DIA A	LENGTH B	ROLLER PIN
MP-4106-85S	85	PG29	72.4	137	YES
MP-4106-150S	150	PG36	72.4	145	YES



85 AND 150 CONTACT TYPE

NOTES:

- MATERIAL AND FINISH:
 - FOR CONNECTOR SHELL AND ADAPTOR: ALUMINUM ALLOY, BLACK FINISH
 - FOR PG CABLE GLAND: POLYAMIDE BLACK.
- SUPPLIED WITH GOLD PLATED CONTACTS

CUSTOMER DRAWING

UNLESS OTHERWISE SPECIFIED TOLERANCE TO BE		THIS DOCUMENT IS THE PROPERTY OF AMPHENOL AUSTRALIA PTY. LTD. NO PART THEREOF MAY BE REPRODUCED AND USED WITHOUT THE PRIOR WRITTEN CONSENT OF THE OWNER			
LINEAR	ANGULAR	CAD FILE: 55010234000214	DRN: T.JN	DATE: 01/08/03	REV.
X ±	X' ± 1	MATL: SEE NOTE 1	CKD: P.M	DATE: 20/02/06	1 CHANGE FINISH TO BLACK COATING T.N 17/02/06 8478
X.X ±	X'X' ± 30'	FINISH: SEE NOTE 1	APP'D: P.M	DATE: 20/02/06	2 CHANGE FINISH NOTES AND ROLLER PIN. ADD DIM E FOR COUPLING NUT T.N 09/09/05 8422
X.XX ±	X'X'X' ± 15'	DO NOT SCALE	SCALE: SEE NOTE 1	DATE: 20/02/06	3 CHANGE FINISH FROM PLATING TO COATING L.V 16-04-04 8277
BREAK ALL SHARP EDGES AND REMOVE ALL BURRS		DIMENSIONS IN MILLIMETRES		THIRD ANGLE PROJECTION	4 SEE CHANGE NOTE 8236 T.N 18/11/03 2836
FIRST ISSUE		PART No: SEE TABLE		SIZE: A4	5
CHANGE DETAILS		DRAWING NO: 55010234-000-2		SHEET: 2/2	6

Amphenol
 Amphenol Australia Pty Ltd, 1 Pinesville Blvd, Kaysville, VIC 3171
 DRAWING NO. 55010234-000-2 SHEET 2/2

X-ON Electronics

Largest Supplier of Electrical and Electronic Components

Click to view similar products for [Standard Circular Connector](#) category:

Click to view products by [Amphenol](#) manufacturer:

Other Similar products are found below :

[5M2530B10P](#) [600259N006](#) [600273N007](#) [6134-336-13149](#) [6134-337-11149](#) [6134-337-2390](#) [6134-341-17149](#) [6280-4SG-516](#) [6280-7SG-3DC](#)
[6290](#) [6291A](#) [66200A-10](#) [680-SMG](#) [681-PMG](#) [CXS3102A14S2P](#) [CXS3102A181S](#) [7251-6SG-300](#) [7271-6SG-300](#) [7282-3PG-300-CH3](#) [75-](#)
[474014-05S](#) [75-474618-01S](#) [75-474618-04P](#) [75-474618-04S](#) [799539-000](#) [MI8-SE](#) [805-005-07NF11-19PC](#) [805-005-07NF15-7PA](#) [8280-4PG-](#)
[516](#) [8280-7PG-519](#) [8282-5PG-519](#) [836783-1](#) [MP-4102-25P-C](#) [862256-1](#) [864019-2](#) [866857-1](#) [867865-1](#) [PT01SP-14-18P](#) [PT08P-14-5S](#)
[PTSF06SE-14-12S](#) [120-1833-000](#) [QCM019PC2DC012B](#) [1-2069279-1](#) [121583-0217](#) [121667-0020](#) [129591AU](#) [1000B BULK](#) [RD10A16-19-](#)
[P6CS051/1](#) [RD10A20-31-P8CS051/1](#) [RD16A14-12-S6CS051/2](#) [1301240290](#) [1301240347](#)