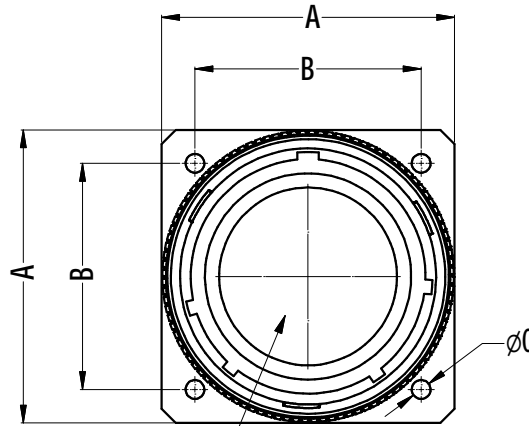
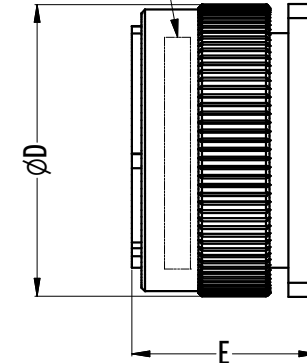


ISOMETRIC VIEW



CONTACTS NOT SHOWN  
FOR No OF CONTACTS REFER TO TABLE

Amphenol LOGO & PART No.



Parts List, Dimensions in mm

| ITEM | CATALOGUE P/No | No. OF CONTACT | A    | B    | DIA C   | DIA D | E    |
|------|----------------|----------------|------|------|---------|-------|------|
| 1    | MP-6256-39P    | 39             | 38.9 | 29.4 | 6-32UNC | 39.0  | 26.5 |
| 2    | MP-6256-61P    | 61             | 43.9 | 34.9 | 6-32UNC | 45.5  | 26.5 |

**NOTES:**

1. MATERIAL AND FINISH: DIE CAST ALUMINUM ALLOY, BLACK FINISH
2. SUPPLIED WITH GOLD PLATED SOLDER PIN CONTACTS

**CUSTOMER DRAWING**

|      |                                       |     |            |        |
|------|---------------------------------------|-----|------------|--------|
| 3    | CHANGE FINISH TO BLACK COATING        | T.N | 17/02/06   | 8478   |
| 2    | SEE CHANGE NOTE 8422                  | T.N | 09/09/05   | 8422   |
| 1    | CHANGE FINISH FROM PLATING TO COATING | L.V | 16/04/2004 | 8277   |
| 0    | <b>FIRST ISSUE</b>                    | T.N | 6/02/2004  | ----   |
| REV. | CHANGE DETAILS                        | BY  | DATE       | CHG/No |

|  |              |  |  |                           |            |                    |             |   |  |
|--|--------------|--|--|---------------------------|------------|--------------------|-------------|---|--|
| UNLESS OTHERWISE SPECIFIED TOLERANCE TO BE |              | THIS DOCUMENT IS THE PROPERTY OF AMPHENOL AUSTRALIA PTY. LTD.. NO PART THEREOF MAY BE REPRODUCED AND USED WITHOUT THE PRIOR WRITTEN CONSENT OF THE OWNER |  |                           |            | TITLE:             |             | <b>Amphenol</b><br>Amphenol Australia Pty Ltd, 2 Fiveways Blvd, Keysborough, Vic 3172 |  |
| LINEAR                                     |              | ANGULAR  |  | CAD FILE: 55010270000213  | DRN: T.N   | DATE: 6/02/2004    | DRAWING NO. |   |  |
| X ± N/A                                    | X' ± 1       |  |  | MATL: SEE NOTE 1          | CKD: P.M   | DATE: 20/02/06     | SHEET       |   |  |
| XX ± N/A                                   | X'X' ± 30'   |  |  | FINISH: SEE NOTE 1        | APP'D: P.M | DATE: 20/02/06     | 2/2         |   |  |
| XXX ± N/A                                  | X'X'X' ± 15' |  |  | DIMENSIONS IN MILLIMETRES | SCALE: N/A | PART No: SEE TABLE | SIZE: A4    |   |  |
| BREAK ALL SHARP EDGES AND REMOVE ALL BURRS |              | DO NOT SCALE   |  | THIRD ANGLE PROJECTION    |            | PART No: SEE TABLE |             | 55010270-000-2  |  |

**PANEL PLUG WITH PIN SOLDER CONTACTS**

**Amphenol**  
Amphenol Australia Pty Ltd, 2 Fiveways Blvd, Keysborough, Vic 3172  
DRAWING NO. 55010270-000-2  
SHEET 2/2

## X-ON Electronics

Largest Supplier of Electrical and Electronic Components

*Click to view similar products for [Standard Circular Connector](#) category:*

*Click to view products by [Amphenol](#) manufacturer:*

Other Similar products are found below :

[5M2530B10P](#) [600259N006](#) [600273N007](#) [6134-336-13149](#) [6134-337-11149](#) [6134-337-2390](#) [6134-341-17149](#) [6280-4SG-516](#) [6280-7SG-3DC](#)  
[6290](#) [6291A](#) [66200A-10](#) [680-SMG](#) [681-PMG](#) [CXS3102A14S2P](#) [CXS3102A181S](#) [7251-6SG-300](#) [7271-6SG-300](#) [7282-3PG-300-CH3](#) [75-](#)  
[474014-05S](#) [75-474618-01S](#) [75-474618-04P](#) [75-474618-04S](#) [799539-000](#) [MI8-SE](#) [805-005-07NF11-19PC](#) [805-005-07NF15-7PA](#) [8280-4PG-](#)  
[516](#) [8280-7PG-519](#) [8282-5PG-519](#) [836783-1](#) [MP-4102-25P-C](#) [862256-1](#) [864019-2](#) [866857-1](#) [867865-1](#) [PT01SP-14-18P](#) [PT08P-14-5S](#)  
[PTSF06SE-14-12S](#) [120-1833-000](#) [QCM019PC2DC012B](#) [1-2069279-1](#) [121583-0217](#) [121667-0020](#) [129591AU](#) [1000B BULK](#) [RD10A16-19-](#)  
[P6CS051/1](#) [RD10A20-31-P8CS051/1](#) [RD16A14-12-S6CS051/2](#) [1301240290](#) [1301240347](#)