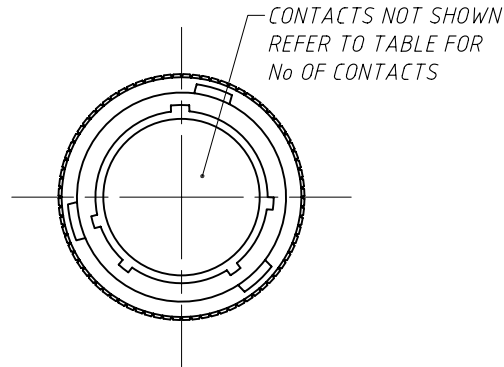
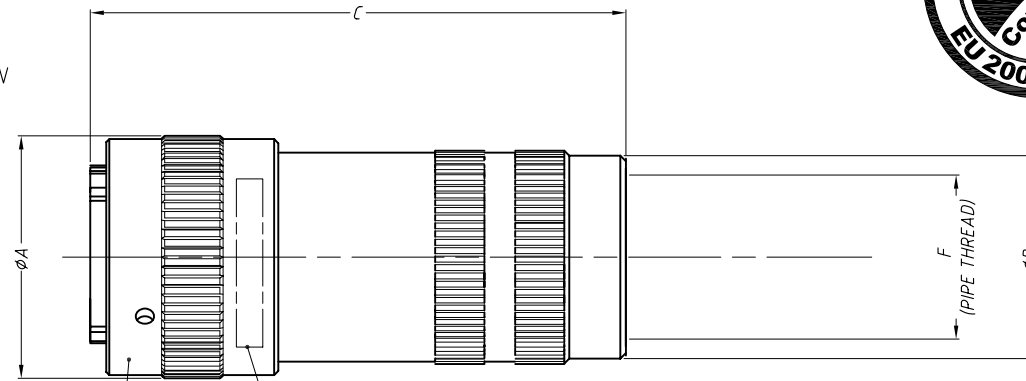


ISO VIEW
(FOR DUST CAP OPTION
REFER TO TABLE)



CONTACTS NOT SHOWN
REFER TO TABLE FOR
No OF CONTACTS



STRAIGHT PLUG 62IN SERIES
WITH GOLD PLATED SOLDER
PIN CONTACTS

Amphenol LOGO & PART No.

ITEM	PART No	DUST CAP OPTION	SHELL SIZE	No OF CONTACTS	DIA A	DIA B	C	THREAD F
1	MP-6516-39P	NO	20	39	39.0	34	90	3/4" - 14 NPT
2	MP-6516-39P-C	YES						
3	MP-6516-61P	NO	24	61	45.5	41	100	3/4" - 14 NPT
4	MP-6516-61P-C	YES						

NOTES:

- MATERIAL & FINISH: DIE CAST ALUMINUM ALLOY, BLACK FINISH
- ASSEMBLY TO BE SUPPLIED WITH GOLD PLATED PIN CONTACTS

CUSTOMER DRAWING

UNLESS OTHERWISE SPECIFIED TOLERANCE TO BE		THIS DOCUMENT IS THE PROPERTY OF AMPHENOL AUSTRALIA PTY. LTD.. NO PART THEREOF MAY BE REPRODUCED AND USED WITHOUT THE PRIOR WRITTEN CONSENT OF THE OWNER			0	FIRST ISSUE	L.V	20-10-05	----
LINEAR	ANGULAR	CAD FILE:	DRN:	DATE:	REV.	CHANGE DETAILS	BY	DATE	CHG/No
X ±	X° ± 1°	55010308000121	L.V	20-10-05					
X.X ±	X°X' ± 30'	MATL:	CKD:	DATE:					
X.XX ±	X°X'X" ± 15"	SEE NOTE 1	M.P	20/02/06					
BREAK ALL SHARP EDGES AND REMOVE ALL BURRS		FINISH:	APP'D:	DATE:	TITLE:		Amphenol		
DO NOT SCALE		SEE NOTE 2	M.P	20/02/06	STRAIGHT CABLE PLUG PIN CONTACT		Amphenol Australia Pty.Ltd, 2 Fiveways Blvd, Keysborough, Vic.3173		
DIMENSIONS IN MILLIMETRES		THIRD ANGLE PROJECTION		SCALE:	PART No:	SIZE:	DRAWING NO.		SHEET
				NTS	SEE TABLE	A4	55010308-000-2		1 OF 2

X-ON Electronics

Largest Supplier of Electrical and Electronic Components

Click to view similar products for [Standard Circular Connector](#) category:

Click to view products by [Amphenol](#) manufacturer:

Other Similar products are found below :

[5M2530B10P](#) [600259N006](#) [600273N007](#) [6134-336-13149](#) [6134-337-11149](#) [6134-337-2390](#) [6134-341-17149](#) [6280-4SG-516](#) [6280-7SG-3DC](#)
[6290](#) [6291A](#) [66200A-10](#) [680-SMG](#) [681-PMG](#) [CXS3102A14S2P](#) [CXS3102A181S](#) [7251-6SG-300](#) [7271-6SG-300](#) [7282-3PG-300-CH3](#) [75-](#)
[474014-05S](#) [75-474618-01S](#) [75-474618-04P](#) [75-474618-04S](#) [799539-000](#) [MI8-SE](#) [805-005-07NF11-19PC](#) [805-005-07NF15-7PA](#) [8280-4PG-](#)
[516](#) [8280-7PG-519](#) [8282-5PG-519](#) [836783-1](#) [MP-4102-25P-C](#) [862256-1](#) [864019-2](#) [866857-1](#) [867865-1](#) [PT01SP-14-18P](#) [PT08P-14-5S](#)
[PTSF06SE-14-12S](#) [120-1833-000](#) [QCM019PC2DC012B](#) [1-2069279-1](#) [121583-0217](#) [121667-0020](#) [129591AU](#) [1000B BULK](#) [RD10A16-19-](#)
[P6CS051/1](#) [RD10A20-31-P8CS051/1](#) [RD16A14-12-S6CS051/2](#) [1301240290](#) [1301240347](#)