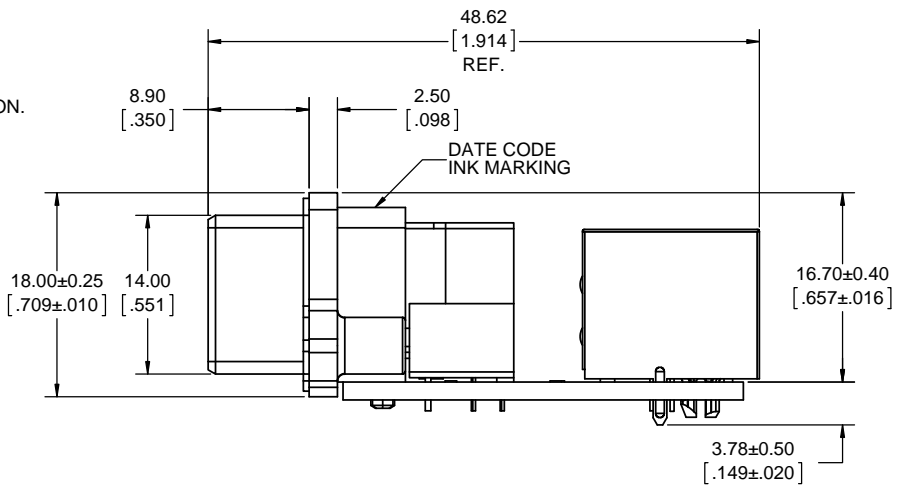
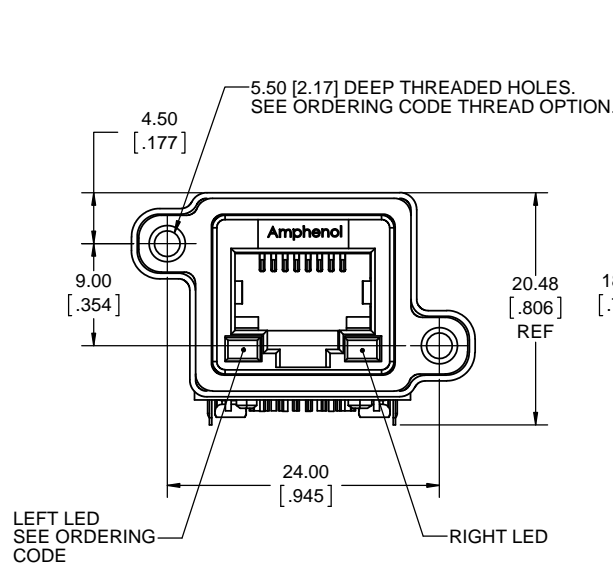


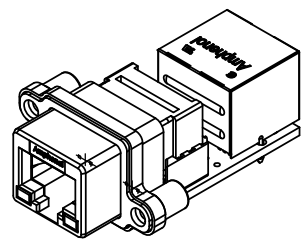
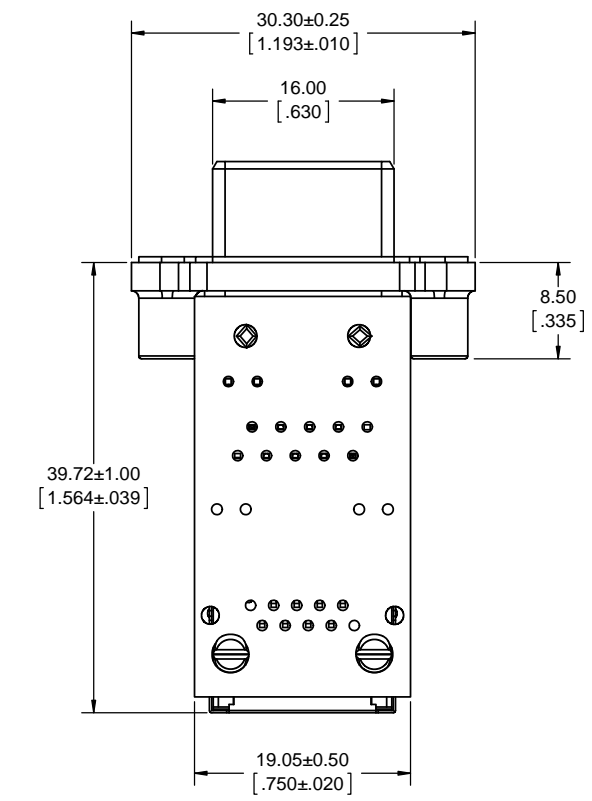
REVISIONS			
REV	DESCRIPTION, ECN, EAR NO.	DATE	APP'D
D	PRODUCT DRAWING (EAR 14166)	APR15/13	K.L.
E	PRODUCT DRAWING (EAR 14296)	JUL24/14	K.L.



**ORDERING CODE: MRJ-578X-X1**

SERIES, RUGGED RJ  
 RECEPTACLE, 8 CONTACTS  
 RIGHT ANGLE, ON PCB  
 WITH STANDARD RJ RECEPTACLE  
 LED OPTION:  
 0 = NONE  
 1 = LEFT GREEN, RIGHT YELLOW  
 4 = LEFT YELLOW, RIGHT GREEN  
 5 = LEFT GREEN, RIGHT GREEN  
 MOUNTING HOLE THREAD OPTION:  
 0 = #4-40 UNC THREAD  
 M = M3 X 0.5 THREAD  
 SINGLE PORT

**SPECIAL CONNECTORS**  
 MANY UNIQUE FEATURES ARE READILY AVAILABLE TO SUIT CUSTOMER REQUIREMENTS. CONSULT WITH AMPHENOL CANADA FOR DETAILS.



**NOTES:**

- MATERIAL:**  
 ALL MATERIALS ARE RoHS COMPLIANT PER EU DIRECTIVE 2011/65/EU AND AMENDMENTS
  - SHELL - DIECAST ZINC ALLOY, NICKEL PLATED
  - CONTACTS - PHOSPHOR BRONZE WITH 1.27 μm [50 μm] GOLD OVER 1.27 μm [50 μm] MINIMUM NICKEL ON THE MATING AREA AND MATTE TIN OVER NICKEL ON THE CONTACT TAILS.
  - INSERTS - ENGINEERING THERMOPLASTIC, FLAMMABILITY RATING UL94V-0
  - REAR INSERTS: BLACK NYLON, FRONT INSERT: CLEAR POLYCARBONATE
  - LED'S - EPOXY LENS, STEEL TAILS WITH TIN PLATING
  - GASKET - SILICONE RUBBER
  - PCB - FR-4 FIBERGLASS, LEAD FREE
  - STANDARD RJ RECEPTACLE - AMPHENOL P/N RJHSE-5F80, PHOSPHOR BRONZE CONTACTS WITH 1.27 μm [50μm] GOLD OVER NICKEL ON MATING AREA, BLACK NYLON INSERT AND COPPER ALLOY SHIELD WITH NICKEL PLATING
- ENVIRONMENTAL PERFORMANCE PER IEC 60529 CODE IP67 FOR SEAL BETWEEN MATING AREA AND PCB SIDE OF CONNECTOR. GASKET PROVIDES SEAL TO INSIDE FACE OF PANEL.
- CURRENT RATING: 1.5 AMPERES.
- CONTACT RESISTANCE: 80 MILLIOHMS MAXIMUM (SUBJECT TO VERIFICATION).
- OPERATING TEMPERATURE: -40°C TO +105°C.
- LED CHARACTERISTICS: FORWARD DC CURRENT 25 mA MAX, FORWARD VOLTAGE 2.5 V MAX @ 2 mA.
- AVAILABLE MATING AREA COVERS PROVIDE ADDED PROTECTION. CONSULT WITH AMPHENOL CANADA FOR DETAILS.
- RECOMMENDED TORQUE FOR PANEL MOUNT SCREWS: 0.45 TO 0.65 Nm [4.0 TO 5.75 IN-LBS] FOR STEEL SCREWS WITH 3.00 [1.18] MINIMUM THREAD ENGAGEMENT.
- CUSTOMER TO VERIFY THAT ALL PROCESS CLEANERS ARE COMPATIBLE WITH POLYCARBONATE MATERIAL.



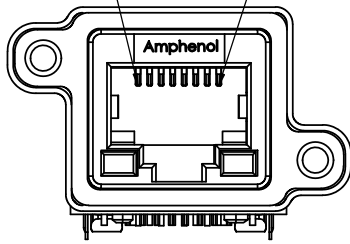
UNLESS SPECIFIED OTHERWISE	DRAWN	S.SEMENOV	JAN01/07
PRIMARY UNITS MILLIMETERS	CHECKED		
SECONDARY INCHES	M.E. APP'D		
REFERENCE IN PARENTHESES	Q.A. APP'D		
GENERAL TOLERANCES	DWG APPR.	A.GREEN	JAN01/07
1 DECIMAL PLACE	ENG. REL. NO.		
2 DECIMAL PLACES ±0.15	REF.		
3 DECIMAL PLACES	THIRD ANGLE PROJECTION		
ANGULAR DEGREES	DO NOT SCALE DRAWING		

**Amphenol Canada Corp.**  
 www.amphenolcanada.com  
**MRJ SERIES RUGGED MODULAR JACK, 8 POSITION, RIGHT ANGLE, ON PCB, WITH STANDARD RJ RECEPTACLE, RoHS COMPLIANT**

DWG. NO. **P-MRJ-578X-X1** REV **E**

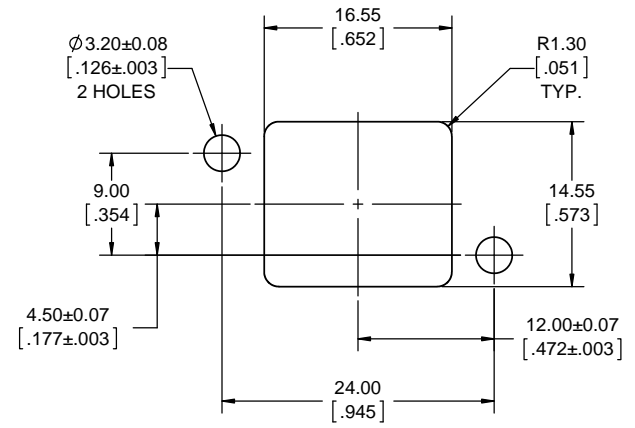
CODE ID NO. 03554 DWG SIZE: X SCALE: 3:1 SHEET 1 OF 2

MRJ CONTACT 1 MRJ CONTACT 8

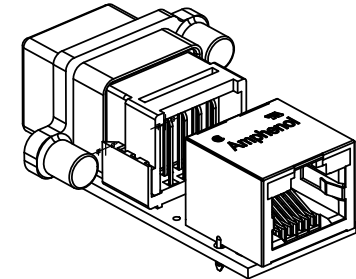
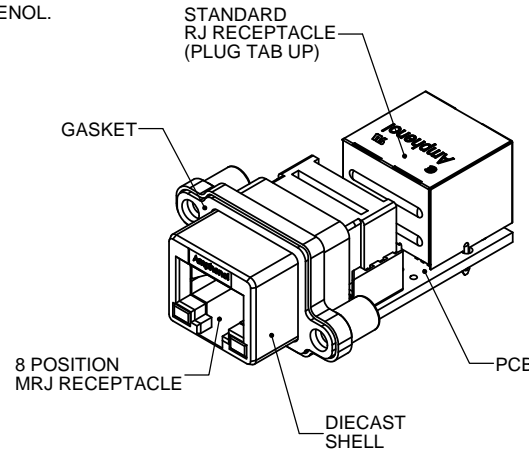
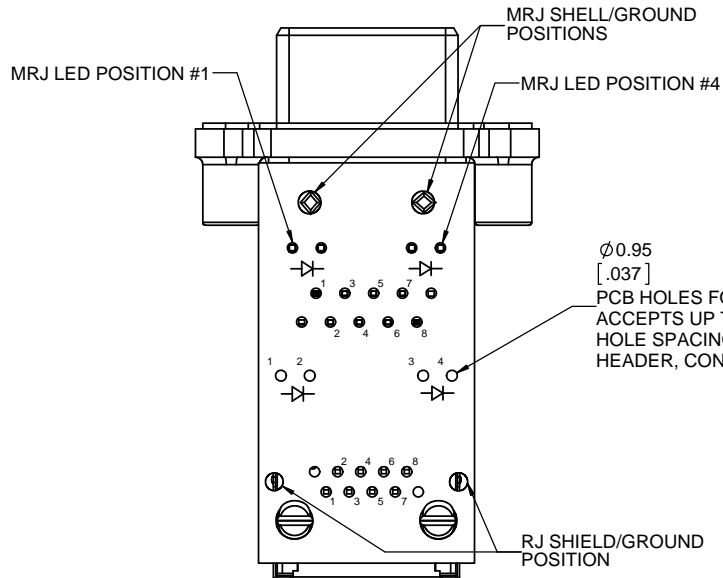


MRJ TO RJ CONNECTIONS	
MRJ	RJ
1	1
2	2
3	3
4	4
5	5
6	6
7	7
8	8
SHELL/GROUND	SHIELD/GROUND
PCB HOLES	
LED 1	1
LED 2	2
LED 3	3
LED 4	4

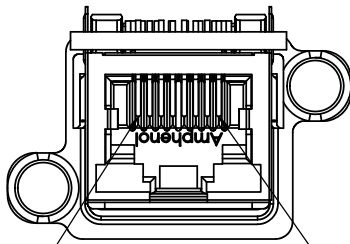
REVISIONS			
REV	DESCRIPTION, ECN, EAR NO.	DATE	APP'D
D	PRODUCT DRAWING (EAR 14166)	APR15/13	K.L.
E	PRODUCT DRAWING (EAR 14296)	JUL24/14	K.L.



RECOMMENDED PANEL CUTOUT  
OUTSIDE PANEL VIEW



RJ CONTACT 1 RJ CONTACT 8



UNLESS SPECIFIED OTHERWISE	DRAWN	S.SEMENOV	JAN01/07
PRIMARY UNITS MILLIMETERS	CHECKED		
SECONDARY UNITS INCHES	M.E. APP'D		
REFERENCE IN PARENTHESES	Q.A. APP'D		
GENERAL TOLERANCES	DWG APPR.	A.GREEN	JAN01/07
1 DECIMAL PLACE	ENG. REL. NO.		
2 DECIMAL PLACES ±0.15	REF.		
3 DECIMAL PLACES	THIRD ANGLE PROJECTION		
ANGULAR DEGREES	DO NOT SCALE DRAWING		

**Amphenol Canada Corp.**  
www.amphenolcanada.com

**MRJ SERIES RUGGED MODULAR JACK, 8 POSITION, RIGHT ANGLE, ON PCB, WITH STANDARD RJ RECEPTACLE, RoHS COMPLIANT**

DWG. NO. **P-MRJ-578X-X1** REV **E**

CODE ID NO. 03554 DWG SIZE: X SCALE: 3:1 SHEET 2 OF 2

## X-ON Electronics

Largest Supplier of Electrical and Electronic Components

*Click to view similar products for [Modular Connectors](#) / [Ethernet Connectors](#) category:*

*Click to view products by [Amphenol](#) manufacturer:*

Other Similar products are found below :

[8949-H88/06BLKA/SN](#) [74441-0010/BKN](#) [MP1010RX-1000](#) [MP44RX-1000](#) [PHJ-4P4C-1-V-4](#) [PHP-6P6C-5](#) [GAX-3-66](#) [GAX-8-62](#) [GDCX-PA-66-50](#) [GDCX-PN-64](#) [GDCX-PN-66](#) [GDCX-PN-66-50](#) [GDLX-A-66](#) [GDLX-N-66](#) [GDLX-S-66](#) [GDLX-S-88K](#) [GDTX-S-88-50](#) [GDX-PA-1010](#) [GLX-N-1010M-BLK](#) [GLX-S-88M-BLK](#) [GMX-N-1010](#) [GMX-S-1010](#) [GMX-S-66](#) [GMX-SMT4-N-88](#) [GPX-2-64](#) [GSGX-N-2-88](#) [GSGX-N-4-88](#) [GSX-NS2-88-3.05-50](#) [PT-108A-8C-UL](#) [PT-J951-8C](#) [PTS-J531-8CS-50UL](#) [1-1775629-2](#) [A-2014-0-4](#) [GWLX-S-88-GR](#) [GWLX-S9-88-YG](#) [DC-1021-8-WH-6](#) [1300530003](#) [1324640-4](#) [RJ11FTVC2G](#) [RJ11FTVC2N](#) [RJFTVX2SA1G](#) [132764-001](#) [1413235](#) [MP88X-1000](#) [MPS88RX-5000](#) [MRJR-5481-0F2](#) [E5288-S000K3-L](#) [E5908-15A242-L](#) [155302-001](#) [AX100653](#)