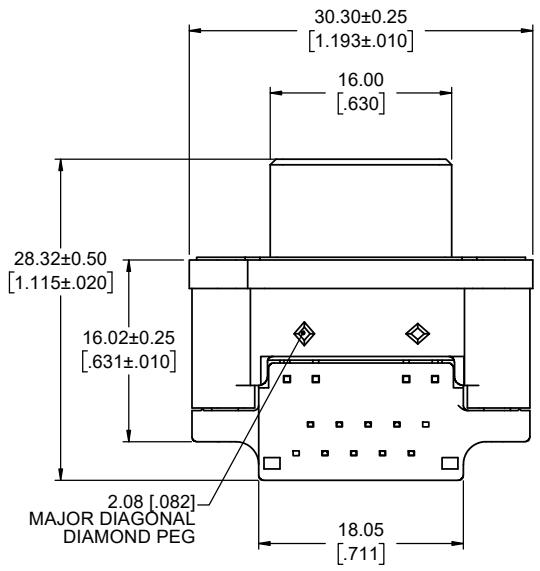
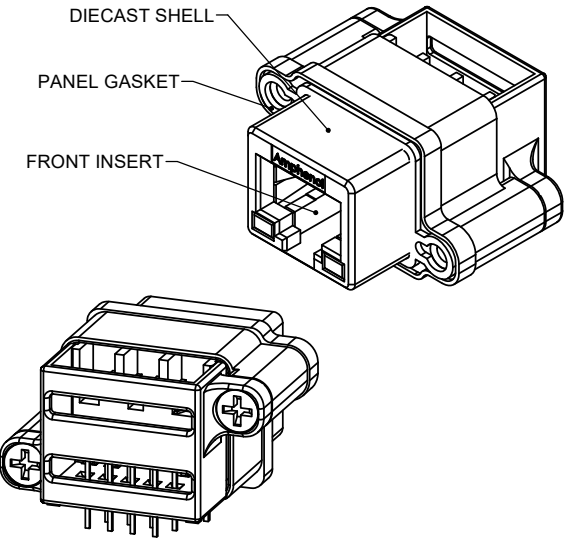
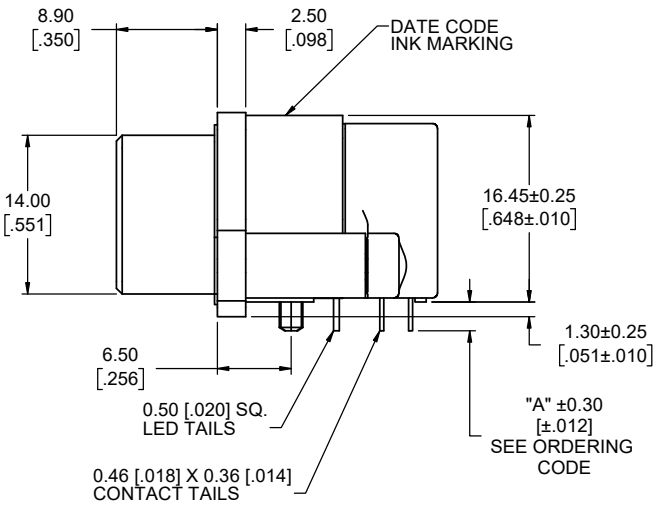
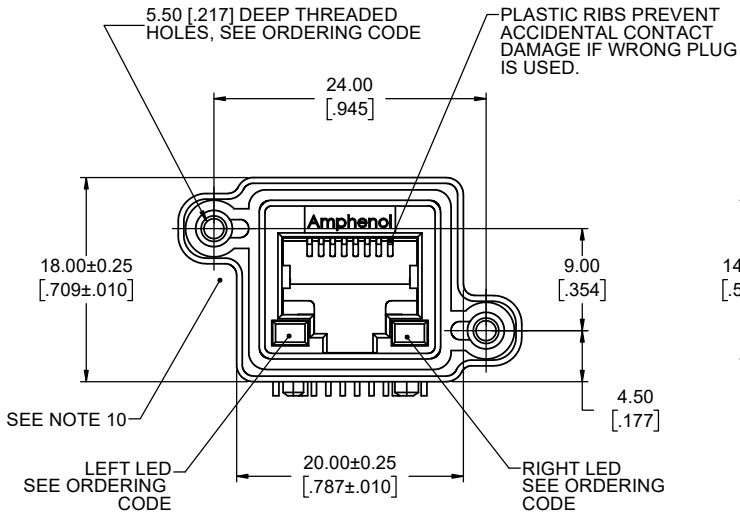


REVISIONS			
REV	DESCRIPTION, ECN, EAR NO.	DATE	APP'D
B	PRODUCT DRAWING (EAR 14655)	OCT26/18	K.L.
C	PRODUCT DRAWING (EAR 14655)	NOV21/18	K.L.



ORDERING CODE: MRJR-938X-XC

SERIES, RUGGED RJ
 CAT6A RJ45 RECEPTACLE, RIGHT ANGLE PCB TAIL, 8 CONTACTS
 LED OPTION:
 0 = NONE
 1 = GREEN LEFT, YELLOW RIGHT
 4 = YELLOW LEFT, GREEN RIGHT
 5 = GREEN LEFT, GREEN RIGHT
 7 = RED LEFT, GREEN RIGHT
 A = BI-COLOUR GREEN/YELLOW LEFT
 BI-COLOUR GREEN/YELLOW RIGHT
 D = GREEN LEFT
 BI-COLOUR GREEN/YELLOW RIGHT
 E = YELLOW LEFT
 BI-COLOUR GREEN/YELLOW RIGHT
 TAIL LENGTH AND MOUNTING HOLE THREAD OPTION:
 0 = "A" 2.54 [0.100], #4-40 UNC
 B = "A" 3.81 [0.150], #4-40 UNC
 M = "A" 2.54 [0.100], M3 X 0.5
 P = "A" 3.81 [0.150], M3 X 0.5

SINGLE PORT, EXTRA CLEARANCE NEAR SHELL MOUNTING HOLES

SPECIAL CONNECTORS
 MANY UNIQUE FEATURES ARE READILY AVAILABLE TO SUIT CUSTOMER REQUIREMENTS. CONSULT WITH AMPHENOL CANADA FOR DETAILS.

NOTES:

- MATERIALS: ALL MATERIALS ARE RoHS COMPLIANT PER EU DIRECTIVE 2011/65/EU AND AMENDMENTS
 - SHELL - DIECAST ZINC, NICKEL PLATED
 - CONTACTS - PHOSPHOR BRONZE WITH 1.27µm [50 µm] MIN GOLD OVER 1.27µm [50 µm] MIN NICKEL ON THE MATING AREA AND MATTE TIN OVER NICKEL ON THE CONTACT TAILS.
 - INSERTS - ENGINEERING THERMOPLASTIC, UL94V-0 FLAMMABILITY RATING, REAR INSERTS: BLACK NYLON, FRONT INSERT: CLEAR POLYCARBONATE
 - GASKET - SILICONE RUBBER, CONDUCTIVE, BLACK
 - LED'S - EPOXY LENS, STEEL TAILS WITH TIN PLATING
 - PCB - FR-4 FIBERGLASS, LEAD FREE, UL94V-0 FLAMMABILITY RATING
- ENVIRONMENTAL PERFORMANCE PER IEC 60529 CODE IP67 FOR SEAL BETWEEN MATING AREA AND PCB SIDE OF CONNECTOR. GASKET PROVIDES SEAL TO INSIDE FACE OF PANEL.
- CURRENT RATING: 1.25 AMPERES
- CONTACT RESISTANCE: 30 MILLIOHMS MAXIMUM
- OPERATING TEMPERATURE: -40C TO +105C
- LED CHARACTERISTICS: FORWARD DC CURRENT 25 mA MAX. FORWARD VOLTAGE 2.5V MAX. @ 2 mA
- RECOMMENDED TORQUE FOR PANEL MOUNT SCREWS: 0.45 TO 0.65 N-m (4.0 TO 5.75 IN-LBS) FOR STEEL SCREWS WITH 3.00 (.118) THREAD ENGAGEMENT.
- CUSTOMER TO VERIFY THAT ALL PROCESS CLEANERS ARE COMPATIBLE WITH POLYCARBONATE MATERIAL.
- AVAILABLE MATING AREA COVERS PROVIDE ADDED PROTECTION. CONSULT WITH AMPHENOL CANADA FOR MORE DETAILS.
- COMPARED TO DRAWING P-MRJR-53XX-X1, PARTS ON THIS DRAWING HAVE EXTRA CLEARANCE NEAR THE SHELL MOUNTING HOLES (2 PLCS).



UNLESS SPECIFIED OTHERWISE	DRAWN	M. PAHULJE	MAR27/18
PRIMARY UNITS MILLIMETERS	CHECKED	K. LAMBIE	MAY24/18
SECONDARY INCHES	M.E. APP'D		
REFERENCE IN PARENTHESES	Q.A. APP'D		
GENERAL TOLERANCES	DWG APPR.		
1 DECIMAL PLACE	ENG. REL. NO.	EAR 14655	
2 DECIMAL PLACES ±0.15	REF.		
3 DECIMAL PLACES	THIRD ANGLE PROJECTION		
ANGULAR DEGREES	DO NOT SCALE DRAWING		

Amphenol Canada Corp.
 Commercial Products

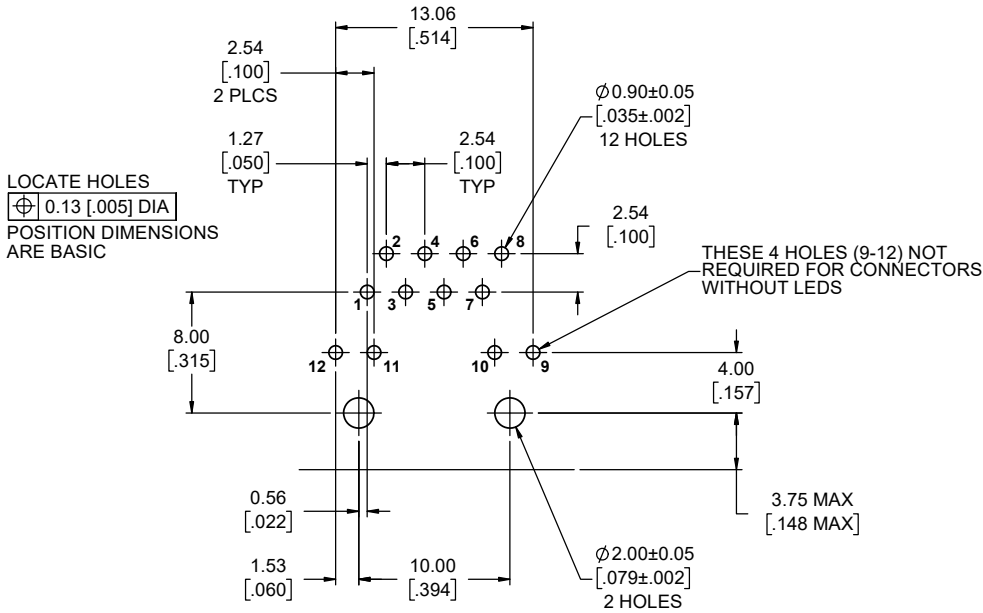
MRJR SERIES RUGGED CAT6A MODULAR JACK, RIGHT ANGLE, 8 CONTACTS, LED, TAIL LENGTH, & THREAD OPTIONS, EXTRA SHELL CLEARANCE, ROHS COMPLIANT

DWG. NO. **P-MRJR-938X-XC** REV **C**

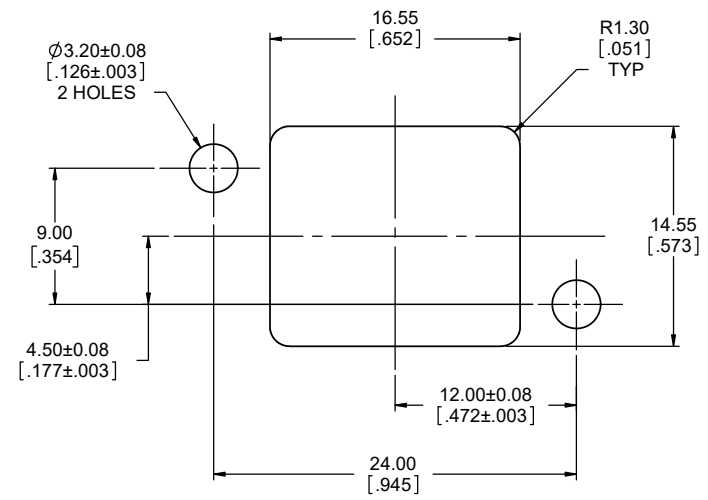
CODE ID NO. 03554 DWG SIZE: X SCALE: 3:1 SHEET 1 OF 2

REVISIONS			
REV	DESCRIPTION, ECN, EAR NO.	DATE	APP'D
B	PRODUCT DRAWING (EAR 14655)	OCT26/18	K.L.
C	PRODUCT DRAWING (EAR 14655)	NOV21/18	K.L.

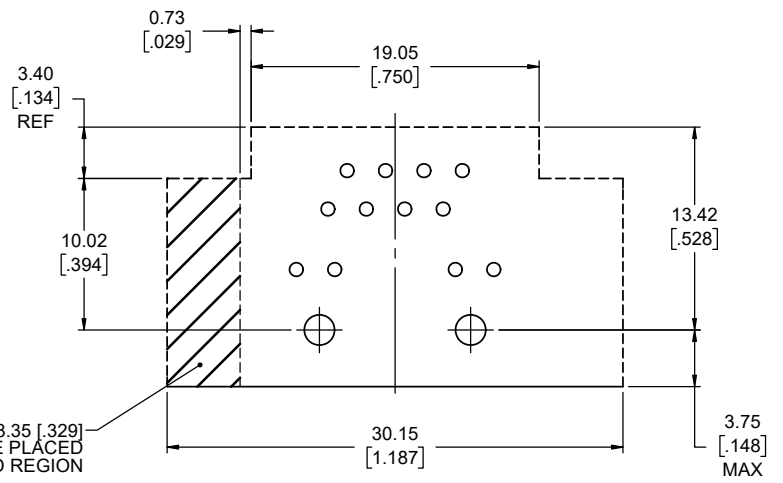
RECOMMENDED PCB LAYOUT
COMPONENT SIDE OF BOARD



LOCATE HOLES
 $\varnothing 0.13$ [.005] DIA
 POSITION DIMENSIONS
 ARE BASIC

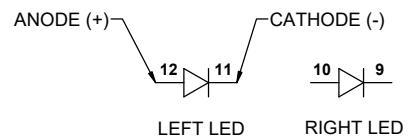


RECOMMENDED PANEL CUTOUT
OUTSIDE PANEL VIEW

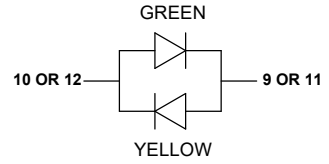


RECOMMENDED KEEP-OUT ZONE
COMPONENT SIDE OF BOARD

LED SCHEMATIC
RED, GREEN, OR YELLOW



BI-COLOUR LED SCHEMATIC
LEFT OR RIGHT SIDE



UNLESS SPECIFIED OTHERWISE	DRAWN	M. PAHULJE	MAR27/18
PRIMARY UNITS MILLIMETERS	CHECKED	K. LAMBIE	MAY24/18
SECONDARY INCHES	M.E. APP'D		
REFERENCE IN PARENTHESES	Q.A. APP'D		
GENERAL TOLERANCES	DWG APPR.		
1 DECIMAL PLACE	ENG. REL. NO.	EAR 14655	
2 DECIMAL PLACES ± 0.15	REF.		
3 DECIMAL PLACES	THIRD ANGLE PROJECTION		
ANGULAR DEGREES	DO NOT SCALE DRAWING		

Amphenol Canada Corp.
Commercial Products

MRJR SERIES RUGGED CAT6A MODULAR JACK, RIGHT ANGLE, 8 CONTACTS, LED, TAIL LENGTH, & THREAD OPTIONS, EXTRA SHELL CLEARANCE, ROHS COMPLIANT

DWG. NO. **P-MRJR-938X-XC** REV **C**

CODE ID NO. 03554 DWG SIZE: X SCALE: 5:1 SHEET 2 OF 2

X-ON Electronics

Largest Supplier of Electrical and Electronic Components

Click to view similar products for [Modular Connectors](#) / [Ethernet Connectors](#) category:

Click to view products by [Amphenol](#) manufacturer:

Other Similar products are found below :

[RJE231881317T](#) [MP1010RX-1000](#) [MP44RX-1000](#) [GAX-3-66](#) [GAX-8-62](#) [93606-0253](#) [GD-A-44](#) [GDCX-PA-66-50](#) [GDCX-PN-64](#) [GDCX-PN-66](#) [GDCX-PN-66-50](#) [GDLX-A-66](#) [GDLX-A-88](#) [GDLX-N-66](#) [GDLX-S-88K](#) [GDTX-S-88-50](#) [GDX-PA-1010](#) [GLX-N-1010M-BLK](#) [GLX-N-44M](#) [GLX-S-88M-BLK](#) [GMX-N-1010](#) [GMX-S-1010](#) [GMX-S-66](#) [GMX-SMT2-N-1010](#) [GMX-SMT2-N-64-50](#) [GMX-SMT2-S6-88](#) [GMX-SMT4-N-88](#) [GPX-2-64](#) [GRT1-BT1-5](#) [GSGX-N-2-88](#) [GSX-NS2-88-3.05](#) [GSX-NS2-88-3.05-50](#) [GSX-NS-88-3.05-30](#) [GSX-NS-88-3.05-50](#) [GSX-NS-88-3.68](#) [1-1775629-2](#) [GWLX-S-88-GR](#) [GWLX-S9-88-YG](#) [1300500326](#) [1300500227](#) [1300530003](#) [1300570002](#) [1324640-4](#) [RJ11FTVC2G](#) [RJ11FTVC2N](#) [RJFTVX2SA1G](#) [132764-001](#) [1400000](#) [1413176](#) [1413235](#)