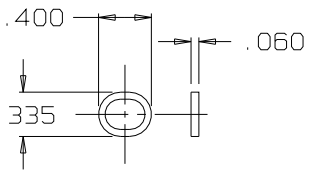
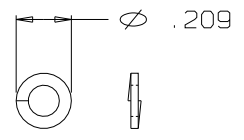


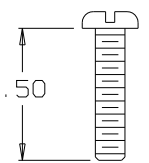
**B** MS-105CC



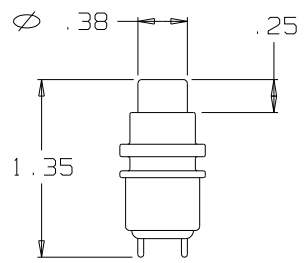
RING, STRAIN RELIEF  
TJ-106-10A  
(2 REQ'D)



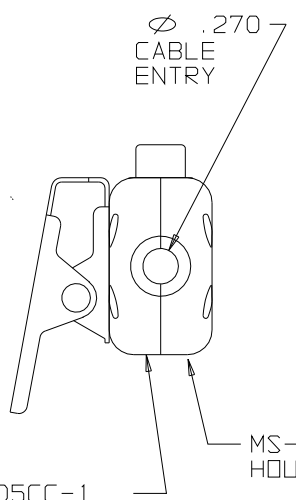
LOCKWASHER #4  
TJ-106-13  
(4 REQ'D)  
SCALE 2:1



SCREW #4  
SW-115C-16  
(4 REQ'D)  
SCALE 2:1

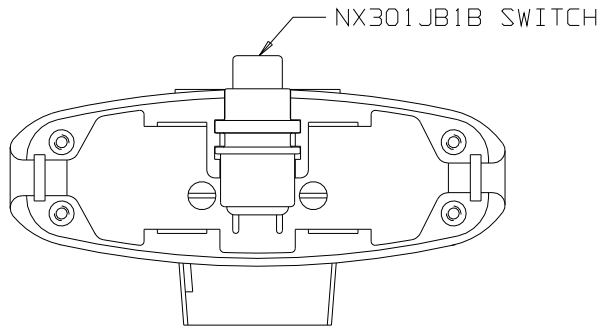
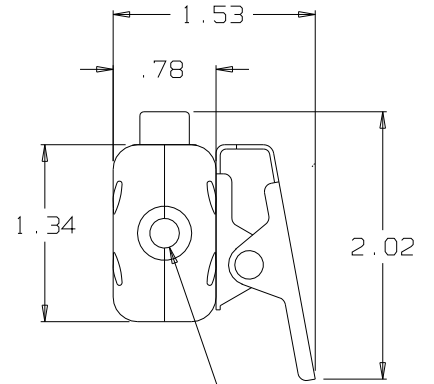
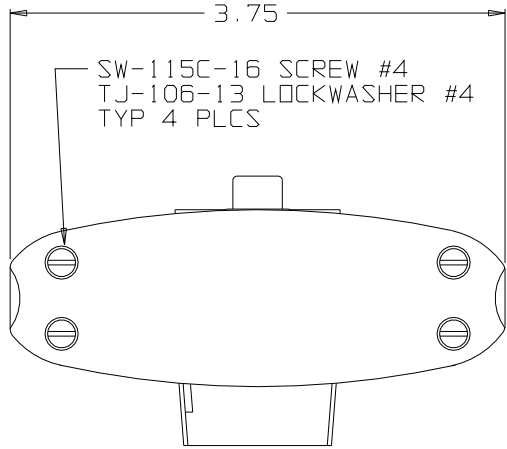


SWITCH  
NX301JB1B  
(1 REQ'D)



MS-105CC-1  
SHELL & CLIP  
ASS'Y

MS-105-2  
HOUSING PLAIN



MS-105CC WITH  
MS-105-2 REMOVED

THIS DOCUMENT CONTAINS PROPRIETARY INFORMATION OF NEXUS, INCORPORATED AND SUCH INFORMATION MAY NOT BE DISCLOSED TO OTHERS FOR ANY PURPOSE OR USED FOR ANY PURPOSE WITHOUT THE WRITTEN CONSENT OF NEXUS.

DWN. BY	EWT	DATE	2/16/04	MATERIAL		SEE FIELD OF DRAWING	
CHECKED BY		DATE		FINISH			
APPR. BY		DATE		WEIGHT	—	SCALE	1:1
UNLESS OTHERWISE SPECIFIED DIMENSIONS ARE IN INCHES TOLERANCES ON .XX .XXX ANGLES — ±.003 ±.5°				TITLE		MICROPHONE SWITCH W/ CLOTHING CLIP	
				DO NOT SCALE DWG.	SHEET 1 OF 1	SIZE	B

B	DELETE P/N'S	126	4/9/12	HR
LET.	REVISION	CN #	DATE	CHK.

## X-ON Electronics

Largest Supplier of Electrical and Electronic Components

*Click to view similar products for [Pushbutton Switches](#) category:*

*Click to view products by [Amphenol](#) manufacturer:*

Other Similar products are found below :

[8940K2012](#) [LW1L-M1C10V-A](#) [LW1L-M1C70-A](#) [LW2L-A1C20M-GD](#) [LW2L-M1C20M-A](#) [60324L](#) [M22-D-R-GB0/K11](#) [M7E-HRN2](#)  
[67021K512](#) [67081K512X](#) [701PB580](#) [7190K101](#) [7199K101](#) [810K12910](#) [810KSV30B](#) [MML21EA2ADK](#) [MML21KA3ABK](#)  
[MML23KA3AC05K-001](#) [MML23KW3AA01W](#) [8418K2](#) [8442K3](#) [8450K1](#) [860K11911T01A](#) [861901](#) [861K11911T01A07](#)  
[861K13810T00A14](#) [861K13911](#) [8646AB6X718UL](#) [8646ABUL](#) [9001KXRK](#) [907AYY100](#) [PMHD155A1](#) [95-313.000](#)  
[9533CD4+U574+U4922](#) [95-414.000](#) [99-450.837](#) [99-453.837](#) [PV3H2B0NN-341](#) [1203MRA](#) [A22NZBGANGA](#) [A22NZBMMNGA](#)  
[A22NZBNANGA](#) [A22NZMPATRA](#) [A2PMA1X03EC56](#) [A3A-5123-02](#) [A3A-7140](#) [A3A-7310](#) [A3A-7340](#) [A3U-TMW-A2C-5M](#) [A595](#)