

Backshells  
*QPL*



## **Backshells**

Within Amphenol's wide range of interconnect products is a full range of backshell hardware. Customers can take advantage of Amphenol's global synergy for connectors, backshells and cable harnessing in one place for all their interconnect needs. Plus, coming to Amphenol for a custom design of a backshell means that customers benefit from the vast amount of experience this global company has in designing interconnect solutions.

# Amphenol Pcd

Connecting People & Technology

# TABLE OF CONTENTS

|   |           |  |              |
|---|-----------|--|--------------|
| <b>HOW TO SELECT A BACKSHELL</b>              | <b>5</b>  | <b>NON-ENVIRONMENTAL</b>   | <b>53</b>    |
| How to Select a Backshell                     | 5         | Connector K  | 53-55        |
| Backshell Type                                | 6-7       | Connector L  | 56-58        |
| Angles/Profiles & Coupling Styles             | 8         |  |              |
| Connector Group Code                          | 9-13      | <b>NON-ENVIRONMENTAL EMI/RFI</b>                                 | <b>59</b>    |
| Materials & Finishes                          | 14        | Connector J  | 59-63        |
| Assembly Torque Value & Style 2 Configuration | 15        | Connector K  | 64-66        |
|   |           | Connector L  | 67-69        |
| <b>BAND LOCK ADAPTER</b>                      | <b>16</b> |  |              |
| Connector J                                   | 16        | <b>PRE-SHIELD ADAPTER</b>  | <b>70</b>    |
| Connector K                                   | 17        | Connector J  | 70           |
| Connector L                                   | 18        | Connector K  | 71           |
|   |           | Connector L  | 72           |
| <b>CRIMP RING ADAPTER</b>                     | <b>19</b> |  |              |
| Connector J                                   | 19        | <b>QUICK CLAMP</b>   | <b>73</b>    |
| Connector K                                   | 20        | Connector J  | 73           |
| Connector L                                   | 21        | Connector K  | 74           |
|   |           | Connector L  | 75           |
| <b>DUST CAPS</b>                              | <b>22</b> |  |              |
| Plugs Receptacles                             | 22-29     | <b>SHRINK BOOT ADAPTER</b>                                       | <b>76</b>    |
|   |           | Connector J  | 76           |
| <b>ENVIRONMENTAL</b>                          | <b>30</b> | Connector K  | 77           |
| Connector J                                   | 30-34     | Connector L  | 78           |
|   |           |  |              |
| <b>ENVIRONMENTAL EMI/RFI</b>                  | <b>35</b> | <b>STRAIN RELIEF CLAMP</b>                                       | <b>79-90</b> |
| Connector J                                   | 35-39     |  |              |
| Connector K                                   | 40-44     | <b>HEXAGON PANEL NUT</b>   | <b>91</b>    |
| Connector L                                   | 45-49     |  |              |
|   |           | <b>ELECTRICAL, CIRCULAR,<br/>RECEPTACLE,<br/>THREADED SERIES</b> | <b>92</b>    |
| <b>GROMMET NUT</b>                            | <b>50</b> |  |              |
| Connector J                                   | 50        | <b>APPENDIX</b>  | <b>93</b>    |
| Connector K                                   | 51        |  |              |
| Connector L                                   | 52        |  |              |

# HOW TO SELECT A BACKSHELL

1. Select the Backshell Type, pg. 6-7 (i.e. **Non-Environmental backshell**)
2. Select Angle, pg. 8 (i.e. **Straight**)
3. Select Coupling Style, pg. 8 (i.e. **Spin**)

In order to complete steps 4-9, you must know the connector specification. For example, we'll use connector D38999/26WB35PN to walk through the remaining steps of selecting a backshell.

4. Select Connector Group Code based on your connector specification, pg. 9-13 (i.e. **L**)
5. Go to Table of Contents, pg. 4, to find the page numbers your selection resides (i.e. **page 56-58**)
6. For the material and finish options, review Table-2 on pg. 14 (i.e. **Cadmium Olive Drab over Electroless Nickel**)

\*Recommended to follow the same finish as connector

In order to complete step 7, you must know the actual cable diameter. For example, we'll use the cable diameter of 0.20 inches to walk through the remaining steps of selecting a backshell.

7. Determine the clamp size by using the table on the product page. (i.e. **page 56**) For this example a 0.20 in cable diameter will be used. (i.e. **Clamp size-02**)

\*Omit if not available in the backshell selected

8. If applicable, determine backshell length using the table on the product page. (i.e. **page 56; 2.53 = A**)

\*Omit if not available in the backshell selected/ Skip for 90° and 45° backshells

9. Build a part number based on the selections you made (i.e. **M85049/2111W02A**)

\*Contact Amphenol Pcd if you can not find your preferences to meet your application, we may be able to support under priority part number

## Cross Reference

If you have a Military part number or other manufacturer's part number for which you are looking for an equivalent item, we have provided a cross-reference on our web link: <http://www.backshellworld.com/crossreference.aspx>

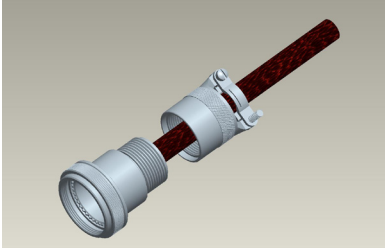
## Customize

Backshells for Military & Aerospace applications are governed by SAE, AS85049 standard and Amphenol Backshells are designed to meet the requirement of this standard. Though this standard covers the most popular styles of backshells, many applications call for additional styles and designs. Here is where the capability of Amphenol can support you from the concept to product realization and thereby your unique specification need is satisfied.

Please visit our web link for further help: <http://www.backshellworld.com/customdesign.asp>

# BACKSHELL TYPE

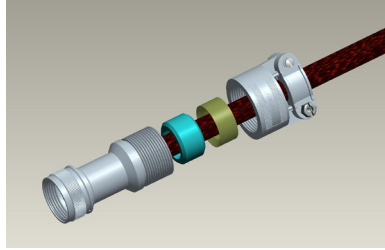
Amphenol Backshells are available in several different types, designed for optimum performance in the application or environment it will be used in. For example, in ground and naval applications, the robustness and environmental sealing may be more important, weight may be the prime consideration for Space and Aerospace applications. The following overview explains the various families of Amphenol Backshells with its applications. Some families of backshells shown here can be used without any additional protection. Some other types of backshells shown are generally used with heat shrink boots or similar protection/strain relief mechanisms depending upon the specific requirements. Also, there are some clamps & nuts for the applications where varying degrees of strain reliefs and cable holding will suffice and weight savings is of higher importance.



## Non-Environmental Backshell

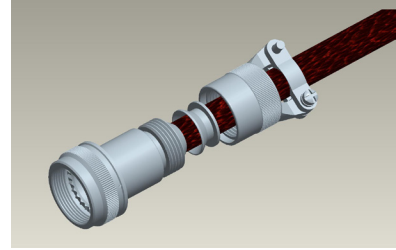
Effective cable holding mechanism with good strain relief when the environmental protection of the cable termination area is not a concern. Amphenol offers cost-effective solutions by eliminating extra sealing parts. Suitable for an inside-the-box/climate controlled room application where heavy cabling should be supported with adequate strain relief.

\*Example shown on pg. 5



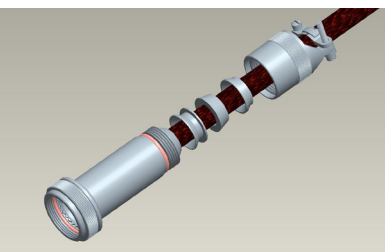
## Environmental Backshell

Not only provide the cable support and strain relief, but ensure the cable sealing and environment protection by means of high quality sealing grommet and grommet follower. The strain relief nut is tightened, squeezing the grommet onto the cable jacket during assembly. Provides 6 feet water sealing protection when used with perfectly jacketed cable, and suitable for harsh environment applications.



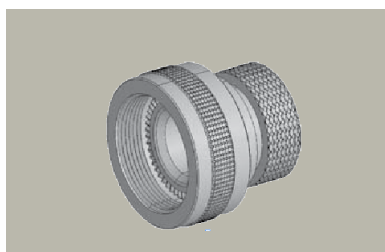
## Non-Environmental EMI/RFI Backshell

Offering 360-degree electromagnetic and radio frequency noise isolation shielding in addition to standard features available with the Non-Environmental type. Available in straight, 90 degree and 45 degree varieties. Accommodates both individual and overall shielding.



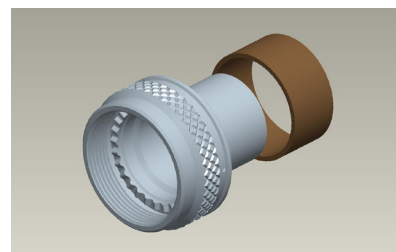
## Environmental EMI/RFI Backshell

Ideal choice for heavy duty cabling solutions in harsh environments where electromagnetic and radio frequency noises are to be isolated. Accommodates both individual and overall shielding.



## Shrink Boot Adapter

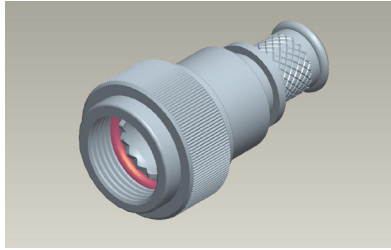
A good solution when the unshielded cables are terminated with heat shrink boots. It has a groove where the boot lip can be held which provides good grip apart from sufficient space inside for the cable looping. Using the heat shrink boot is one way of providing environmental protection and strain relief to cable termination. Using a suitable adapter is essential to ensure the repair ability.



## Crimp Ring Adapter

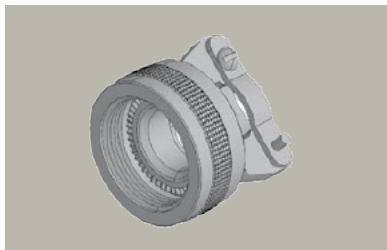
Many cable terminations where heat shrink boots are used; will require provision for terminating the screens, too. It is achieved in this type of backshell through a ring, which can be crimped to the backshell body holding the screens in between.

# BACKSHELL TYPE



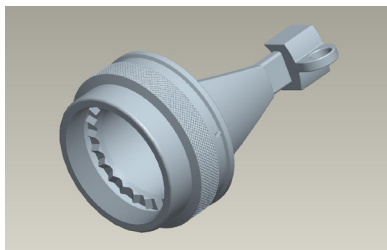
**Band Lock Adapter**

A high quality band will do the job with this backshell. Tempered bands are tightened over the shields, which are pulled over the banding area using a special assembly tool. Suitable over cover by heat shrink boot or some other method as chosen by the designer could be used. Both crimp ring and banded terminations give a low DC resistance.



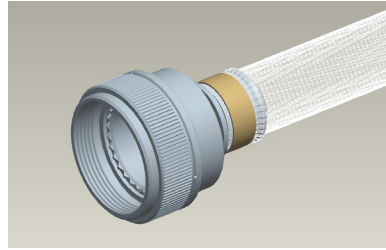
**Strain Relief Clamps**

If environmental protection is not a concern and weight savings is a major consideration this strain relief clamp is what you need. It secures and "tidys-up" the light/medium cable and also provides good strain relief at the termination area.



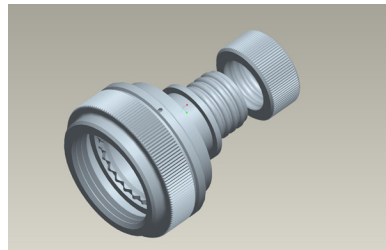
**Quick Clamp**

A light weight clamp used for securing and "tidying up" cable into a desired direction. Used in interior wiring of aircraft.



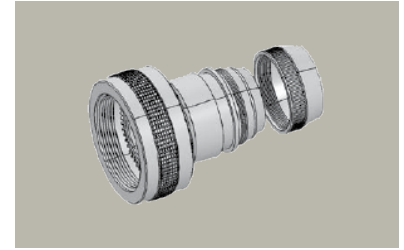
**Pre-Shield Adapter**

This adapter comes with a pre-cut braid that is fitted to the adapter for easy assembly. The braid overlaps with the cable braid. Effective shielding takes place due to the 360° contact of the braid. Designed to accept heat shrink boot. Ease of assembly saves time for cable termination.



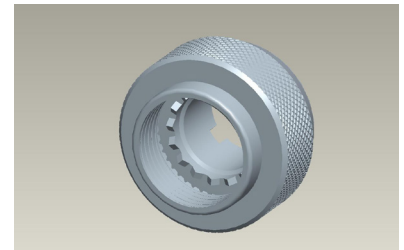
**Lamp Thread Adapter**

An adapter with threads similar to that in the lamp base for shield termination. An effective, easy and quick method of shield termination and field maintenance. Termination area can accept a nut as well as a clamp. The nut option enables the use of heat shrink boot and the clamp option will facilitate the strain relief clamping without heat shrink boot after the shield/cable termination.



**SQ Adapter**

The SQ adapter is a cost-effective way to terminate the braid to the adapter. The braid is pulled over the conical shape to the rear end of the adapter and then tied. The end nut is tightened to ensure adequate grip for the shielding. A heat shrink boot can be used with this adapter as well.



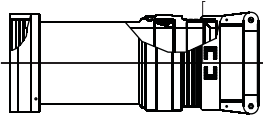
**Grommet Nut**

Provides a good grommet-holding force for the crimp connectors when expensive and heavy backshells are not used. Such holding force is essential to hold the contacts and grommet in place when terminated with wire bundles.

# ANGLES/PROFILES & COUPLING STYLES

## Angles/Profiles

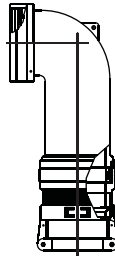
Amphenol Backshells are available in three different angular profiles: straight, 90 degree and 45 degree. These profiles will meet most of the cable routing required in the interconnect market. We can also make additional profiles if required. Please go to the web link <http://www.backshellworld.com/customdesign.asp> to contact Amphenol about your specific backshell needs.



### Straight Backshells

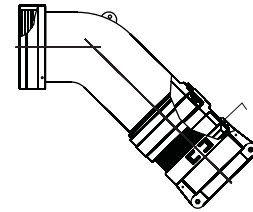
Available in different lengths and cable entry diameters for most applications. Different cable and braid terminating systems are also available as shown in the respective product sections.

\*Example shown on pg. 5



### 90° Angled Backshells

Many applications require the cable to be bent and routed rather than straight routed. Amphenol offers a 90° angled style in all the backshell families for space saving and convenience.



### 45° Angled Backshells

Amphenol offers further design flexibility with a backshell that allows the cable to be routed 45° to the axis of the assembly.

## Coupling Styles

Various coupling styles are available for the coupling between the backshell and the connector. Popular styles are shown in the respective backshell sections, and custom profiles can be designed. Please go to the web link <http://www.backshellworld.com/customdesign.asp> to contact Amphenol about your specific backshell needs.



### Spin Coupling

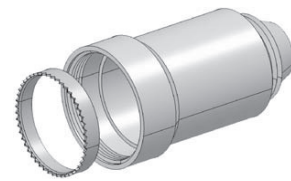
A captivated coupling nut within the backshell which provides the following advantages: Free rotation of the coupling nut making the assembly of the backshell to the connector easy without turning the entire backshell body. Lock wire holes are provided on the coupling nut to prevent accidental decoupling.

\*Example shown on pg. 5



### Self-Lock Coupling

Same as the Spin Coupling style with the additional feature of "self-locking." Internally locks the movement of the coupling nut so that accidental decoupling is prevented. Used in higher vibration conditions.



### Direct Coupling

The coupling nut is eliminated in this design, and the backshell directly threads to the connector. For applications where simple direct connectivity is sufficient.



# CONNECTOR GROUP CODE

| Military Connector Specification | Series/ Class | Connector Group Code |
|----------------------------------|---------------|----------------------|
| 40M38277                         |               | K                    |
| 40M39569                         |               | J                    |
| BS9520                           | G0001         | K                    |
| BS9520                           | G0002         | K                    |
| BS9520                           | G0003         | L                    |
| BS9522 F0001                     | Patt 602      | J                    |
| BS9522 F0012                     | Patt 615      | M                    |
| BS9522 F0017                     | Patt 105      | N                    |
| BS9522 F0020                     | Patt 608      | N                    |
| BS9522 F0029                     | Patt 616      | K                    |
| BS9522 F0042                     |               | J                    |
| BS9522 N0001                     | Patt 603      | N                    |
| BS9522 N0003                     | Patt 614      | K                    |
| CECC 75201.001                   |               | J                    |
| CECC 75201.002                   |               | L                    |
| DEF 5326-3                       |               | J                    |
| EN 2997                          |               | J                    |
| EN 3645                          |               | L                    |
| EN 3646                          |               | J                    |
| EN 3372                          |               | M                    |
| ESC 10                           |               | J                    |
| ESC 11                           |               | J                    |
| JN1003                           |               | M                    |
| LN29504                          |               | J                    |
| LN29728                          |               | J                    |
| LN29729                          |               | M                    |
| MIL-C-81703                      | 3             | J                    |
| MIL-DTL-26482                    | 2             | J                    |
| MIL-DTL-38999                    | I             | K                    |
| MIL-DTL-38999                    | II            | K                    |
| MIL-DTL-38999                    | III           | L                    |
| MIL-DTL-38999                    | IV            | L                    |
| MIL-DTL-5015                     | MS340         | J                    |
| MIL-DTL-5015                     | MS345         | J                    |
| MIL-DTL-83723                    | I             | J                    |
| MIL-DTL-83723                    | III           | J                    |
| NAS 1599                         |               | J                    |
| NFC93422                         | HE302         | J                    |
| NFC93422                         | HE306         | M                    |
| NFC93422                         | HE308         | K                    |
| NFC93422                         | HE309         | K                    |
| NFL 54140                        |               | J                    |
| PAN 6432-1                       |               | J                    |
| PAN 6432-2                       |               | J                    |
| PAN 6433-1                       |               | K                    |
| PAN 6433-2                       |               | M                    |
| VG 96912                         | 2             | K                    |
| VG 96912                         | 1             | M                    |

| Military Connector Part Number | Specifications | Series/ Class | Connector Group Code |
|--------------------------------|----------------|---------------|----------------------|
| D38999/20                      | MIL-DTL-38999  | III           | L                    |
| D38999/24                      | MIL-DTL-38999  | III           | L                    |
| D38999/26                      | MIL-DTL-38999  | III           | L                    |
| D38999/40                      | MIL-DTL-38999  | IV            | L                    |
| D38999/42                      | MIL-DTL-38999  | IV            | L                    |
| D38999/46                      | MIL-DTL-38999  | IV            | L                    |
| D38999/47                      | MIL-DTL-38999  | IV            | L                    |
| M83723/01                      | MIL-DTL-83723  | I             | J                    |
| M83723/02                      | MIL-DTL-83723  | I             | J                    |
| M83723/03                      | MIL-DTL-83723  | I             | J                    |
| M83723/04                      | MIL-DTL-83723  | I             | J                    |
| M83723/05                      | MIL-DTL-83723  | I             | J                    |
| M83723/06                      | MIL-DTL-83723  | I             | J                    |
| M83723/07                      | MIL-DTL-83723  | I             | J                    |
| M83723/08                      | MIL-DTL-83723  | I             | J                    |
| M83723/13                      | MIL-DTL-83723  | I             | J                    |
| M83723/14                      | MIL-DTL-83723  | I             | J                    |
| M83723/36                      | MIL-DTL-83723  | I             | J                    |
| M83723/37                      | MIL-DTL-83723  | I             | J                    |
| M83723/38                      | MIL-DTL-83723  | I             | J                    |
| M83723/39                      | MIL-DTL-83723  | I             | J                    |
| M83723/40                      | MIL-DTL-83723  | I             | J                    |
| M83723/41                      | MIL-DTL-83723  | I             | J                    |
| M83723/42                      | MIL-DTL-83723  | I             | J                    |
| M83723/43                      | MIL-DTL-83723  | I             | J                    |
| M83723/48                      | MIL-DTL-83723  | I             | J                    |
| M83723/49                      | MIL-DTL-83723  | I             | J                    |
| M83723/65                      | MIL-DTL-83723  | III           | J                    |
| M83723/66                      | MIL-DTL-83723  | III           | J                    |
| M83723/67                      | MIL-DTL-83723  | III           | J                    |
| M83723/68                      | MIL-DTL-83723  | III           | J                    |
| M83723/69                      | MIL-DTL-83723  | III           | J                    |
| M83723/71                      | MIL-DTL-83723  | III           | J                    |
| M83723/72                      | MIL-DTL-83723  | III           | J                    |
| M83723/73                      | MIL-DTL-83723  | III           | J                    |
| M83723/74                      | MIL-DTL-83723  | III           | J                    |
| M83723/75                      | MIL-DTL-83723  | III           | J                    |
| M83723/76                      | MIL-DTL-83723  | III           | J                    |
| M83723/77                      | MIL-DTL-83723  | III           | J                    |
| M83723/78                      | MIL-DTL-83723  | III           | J                    |
| M83723/82                      | MIL-DTL-83723  | III           | J                    |
| M83723/83                      | MIL-DTL-83723  | III           | J                    |
| M83723/84                      | MIL-DTL-83723  | III           | J                    |
| M83723/85                      | MIL-DTL-83723  | III           | J                    |
| M83723/86                      | MIL-DTL-83723  | III           | J                    |
| M83723/87                      | MIL-DTL-83723  | III           | J                    |
| M83723/91                      | MIL-DTL-83723  | III           | J                    |
| M83723/92                      | MIL-DTL-83723  | III           | J                    |
| M83723/95                      | MIL-DTL-83723  | III           | J                    |
| M83723/96                      | MIL-DTL-83723  | III           | J                    |

# CONNECTOR GROUP CODE

| Military Connector Part Number | Specifications | Series/Class | Connector Group Code |
|--------------------------------|----------------|--------------|----------------------|
| M83723/97                      | MIL-DTL-83723  | III          | J                    |
| M83723/98                      | MIL-DTL-83723  | III          | J                    |
| MS27466                        | MIL-DTL-38999  | I            | K                    |
| MS27467                        | MIL-DTL-38999  | I            | K                    |
| MS27468                        | MIL-DTL-38999  | I            | K                    |
| MS27472                        | MIL-DTL-38999  | II           | K                    |
| MS27474                        | MIL-DTL-38999  | II           | K                    |
| MS27475                        | MIL-DTL-38999  | II           | K                    |
| MS27479                        | MIL-DTL-38999  | II           | K                    |
| MS27480                        | MIL-DTL-38999  | II           | K                    |
| MS27481                        | MIL-DTL-38999  | II           | K                    |
| MS27482                        | MIL-DTL-38999  | II           | K                    |
| MS27484                        | MIL-DTL-38999  | II           | K                    |
| MS27497                        | MIL-DTL-38999  | II           | K                    |
| MS27498                        | MIL-DTL-38999  | I            | K                    |
| MS27500                        | MIL-DTL-38999  | II           | K                    |
| MS27652                        | MIL-DTL-38999  | I            | K                    |
| MS27653                        | MIL-DTL-38999  | I            | K                    |
| MS27654                        | MIL-DTL-38999  | I            | K                    |
| MS27656                        | MIL-DTL-38999  | I            | K                    |
| MS27665                        | MIL-DTL-38999  | I            | K                    |
| MS3400                         | MIL-DTL-5015   | MS340/MS245  | J                    |
| MS3401                         | MIL-DTL-5015   | MS340/MS245  | J                    |
| MS3404                         | MIL-DTL-5015   | MS340/MS245  | J                    |
| MS3406                         | MIL-DTL-5015   | MS340/MS245  | J                    |
| MS3408                         | MIL-DTL-5015   | MS340/MS245  | J                    |
| MS3409                         | MIL-DTL-5015   | MS340/MS245  | J                    |
| MS3412                         | MIL-DTL-5015   | MS340/MS245  | J                    |
| MS3424                         | MIL-C-81703    | 3            | J                    |
| MS3446                         | MIL-C-81703    | 3            | J                    |
| MS3450                         | MIL-DTL-5015   | MS340/MS345  | J                    |
| MS3451                         | MIL-DTL-5015   | MS340/MS345  | J                    |
| MS3454                         | MIL-DTL-5015   | MS340/MS345  | J                    |
| MS3456                         | MIL-DTL-5015   | MS340/MS345  | J                    |
| MS3459                         | MIL-DTL-5015   | MS340/MS345  | J                    |
| MS3464                         | MIL-C-81703    | 3            | J                    |
| MS3467                         | MIL-C-81703    | 3            | J                    |
| MS3468                         | MIL-C-81703    | 3            | J                    |
| MS3470                         | MIL-DTL-26482  | 2            | J                    |
| MS3471                         | MIL-DTL-26482  | 2            | J                    |
| MS3472                         | MIL-DTL-26482  | 2            | J                    |
| MS3474                         | MIL-DTL-26482  | 2            | J                    |
| MS3475                         | MIL-DTL-26482  | 2            | J                    |
| MS3476                         | MIL-DTL-26482  | 2            | J                    |
| NAS1599                        | MIL-C-81703    | 3            | J                    |

| Military Connector Part Number | Specifications | Series/Class | Connector Group Code |
|--------------------------------|----------------|--------------|----------------------|
| NAS1641                        | MIL-C-81703    | 3            | J                    |
| NAS1642                        | MIL-C-81703    | 3            | J                    |
| NAS1643                        | MIL-C-81703    | 3            | J                    |
| NAS1650                        | MIL-C-81703    | 3            | J                    |
| NAS1651                        | MIL-C-81703    | 3            | J                    |
| NAS1652                        | MIL-C-81703    | 3            | J                    |
| NAS1653                        | MIL-C-81703    | 3            | J                    |
| NAS1692                        | MIL-C-81703    | 3            | J                    |
| NAS1693                        | MIL-C-81703    | 3            | J                    |
| NAS1694                        | MIL-C-81703    | 3            | J                    |
| NAS1699                        | MIL-C-81703    | 3            | J                    |
| NAS1700                        | MIL-C-81703    | 3            | J                    |
| NAS1701                        | MIL-C-81703    | 3            | J                    |
| NAS1702                        | MIL-C-81703    | 3            | J                    |
| NATC00                         | SSQ21635       |              | L                    |
| NATC06                         | SSQ21635       |              | L                    |
| NATC07                         | SSQ21635       |              | L                    |
| NB4                            | 40M39569       |              | J                    |
| NB6                            | 40M39569       |              | J                    |
| NB6G                           | 40M39569       |              | J                    |
| NB7                            | 40M39569       |              | J                    |
| NBO                            | 40M39569       |              | J                    |
| NLS6                           | 40M39569       |              | K                    |
| NLS6G                          | 40M39569       |              | K                    |
| NLS7                           | 40M39569       |              | K                    |
| NLSO                           | 40M39569       |              | K                    |

| Manufacturer Part Number | Manufacturer                    | Connector Group Code | Manufacturer Part Number | Manufacturer                    | Connector Group Code |
|--------------------------|---------------------------------|----------------------|--------------------------|---------------------------------|----------------------|
| 10-475                   | Amphenol/ Bendix/ Socapex/ Pyle | K                    | AE83                     | Aero-Electric                   | J                    |
| 118                      | Amphenol/ Bendix/ Socapex/ Pyle | J                    | AFD                      | Deutsch                         | J                    |
| 162GB                    | Amphenol/ Bendix/ Socapex/ Pyle | N                    | AFD5                     | Deutsch                         | J                    |
| 2PSN                     | Plessey Connector               | N                    | AFE                      | Deutsch                         | J                    |
| 381                      | Deutsch                         | J                    | B                        | Amphenol/ Bendix/ Socapex/ Pyle | J                    |
| 418-1                    | Amphenol/ Bendix/ Socapex/ Pyle | K                    | BE                       | Amphenol/ Bendix/ Socapex/ Pyle | J                    |
| 418-2                    | Amphenol/ Bendix/ Socapex/ Pyle | K                    | BL                       | Flight Connector                | L                    |
| 418-5                    | Amphenol/ Bendix/ Socapex/ Pyle | M                    | BT                       | Amphenol/ Bendix/ Socapex/ Pyle | J                    |
| 486                      | Amphenol/ Bendix/ Socapex/ Pyle | J                    | BY1                      | Amphenol/ Bendix/ Socapex/ Pyle | J                    |
| 518                      | Amphenol/ Bendix/ Socapex/ Pyle | J                    | CGK                      | ITT Cannon                      | M                    |
| 602GB                    | Amphenol/ Bendix/ Socapex/ Pyle | J                    | CN0930                   | TRW                             | J                    |
| 62GB                     | Amphenol/ Bendix/ Socapex/ Pyle | N                    | CNO                      | G & H Technology                | L                    |
| 65                       | Glenair                         | L                    | CNO930                   | Labinal/ Cinch                  | J                    |
| 652                      | Amphenol/ Bendix/ Socapex/ Pyle | J                    | CT                       | Burndy                          | K                    |
| 66                       | Glenair                         | L                    | CT                       | Plessey Connector               | K                    |
| 711                      | Amphenol/ Bendix/ Socapex/ Pyle | J                    | CT-R                     | AB Electronics                  | K                    |
| 801                      | Amphenol/ Bendix/ Socapex/ Pyle | J                    | CT-R                     | Plessey Connector               | K                    |
| 837                      | Deutsch                         | J                    | CV340                    | ITT Cannon                      | J                    |
| 83723                    | Souriau                         | J                    | CV345                    | ITT Cannon                      | J                    |
| 83730                    | Deutsch                         | J                    | D817                     | Deutsch                         | J                    |
| 851                      | Souriau                         | N                    | DBA                      | Deutsch                         | J                    |
| 8520                     | Souriau                         | J                    | DBA7                     | Deutsch                         | J                    |
| 8525                     | Souriau                         | J                    | DBAS                     | Deutsch                         | J                    |
| 8526                     | Souriau                         | J                    | DFE                      | Deutsch                         | J                    |
| 853                      | Souriau                         | J                    | DIV4                     | Deutsch                         | L                    |
| 8533                     | Souriau                         | J                    | DL                       | Deutsch                         | J                    |
| 8534                     | Souriau                         | J                    | DL6                      | Deutsch                         | J                    |
| 857                      | Souriau                         | J                    | DTS                      | Deutsch                         | L                    |
| 89                       | Souriau                         | J                    | DVG                      | Deutsch                         | J                    |
| 8D                       | Souriau                         | L                    | EA                       | Amphenol/ Bendix/ Socapex/ Pyle | J                    |
| 8LT                      | Souriau                         | K                    | EB                       | Amphenol/ Bendix/ Socapex/ Pyle | J                    |
| 8T                       | Souriau                         | M                    | EEG                      | Amphenol/ Bendix/ Socapex/ Pyle | J                    |
| 91-483                   | Amphenol/ Bendix/ Socapex/ Pyle | K                    | ES                       | Amphenol/ Bendix/ Socapex/ Pyle | J                    |
| 944                      | Matrix                          | J                    | ET                       | Amphenol/ Bendix/ Socapex/ Pyle | J                    |
| 951                      | Deutsch                         | J                    | FDBA                     | Deutsch                         | J                    |
| 951-50                   | Deutsch                         | J                    | FF                       | Deutsch                         | J                    |
| 981                      | Matrix                          | J                    | FF                       | Flight Connector                | J                    |
| 983                      | Deutsch                         | J                    | FH                       | Flight Connector                | J                    |
| 991                      | Deutsch                         | J                    | HDJ                      | Deutsch                         | M                    |
| 999.1                    | Deutsch                         | J                    | HTMF                     | ITT Cannon                      | J                    |
| ABJ                      | AB Electronics                  | K                    | JT                       | Amphenol/ Bendix/ Socapex/ Pyle | K                    |
| AE22                     | Aero-Electric                   | L                    | JT 3400                  | J-Tech                          | J                    |
| AE46                     | Aero-Electric                   | K                    | JT 3450                  | J-Tech                          | J                    |
| AE47                     | Aero-Electric                   | K                    | JT-R                     | FKI                             | K                    |
| AE48                     | Aero-Electric                   | K                    | JT-R                     | Teldix                          | K                    |
| AE49                     | Aero-Electric                   | K                    | JTVG 95234               | J-Tech                          | J                    |
| AE55                     | Aero-Electric                   | J                    | JVS                      | Souriau                         | L                    |
| AE77                     | Aero-Electric                   | J                    | KJ                       | ITT Cannon                      | K                    |
|                          |                                 |                      | KJA                      | ITT Cannon                      | L                    |

# CONNECTOR GROUP CODE

| Manufacturer Part Number | Manufacturer                    | Connector Group Code | Manufacturer Part Number | Manufacturer                    | Connector Group Code |
|--------------------------|---------------------------------|----------------------|--------------------------|---------------------------------|----------------------|
| KJAD/V4                  | ITT Cannon                      | L                    | RR50                     | Deutsch                         | J                    |
| KJL                      | ITT Cannon                      | K                    | RR70                     | Deutsch                         | J                    |
| KV-R                     | ITT Cannon                      | J                    | RR70                     | Deutsch                         | J                    |
| LJT                      | Amphenol/ Bendix/ Socapex/ Pyle | K                    | SA                       | SAE                             | J                    |
| LS                       | Amphenol/ Bendix/ Socapex/ Pyle | J                    | SJT                      | Amphenol/ Bendix/ Socapex/ Pyle | M                    |
| LTT                      | FKI                             | K                    | STT                      | FKI                             | M                    |
| MB1                      | Matrix                          | J                    | STT                      | ITT Cannon                      | M                    |
| MB3                      | Matrix                          | J                    | T3                       | Amphenol/ Bendix/ Socapex/ Pyle | L                    |
| MB9                      | Matrix                          | K                    | TT                       | FKI                             | K                    |
| MD                       | Matrix                          | J                    | TT/TTPQ                  | ITT Cannon                      | K                    |
| MF                       | ITT Cannon                      | J                    | TT/TTPQ                  | ITT Cannon                      | K                    |
| MFG                      | ITT Cannon                      | J                    | TV                       | Amphenol/ Bendix/ Socapex/ Pyle | L                    |
| MK 12                    | AB Electronics                  | N                    | TVP                      | FKI/ Bendix                     | L                    |
| MK 18                    | AB Electronics                  | N                    | TVRB                     | Amphenol/ Bendix/ Socapex/ Pyle | L                    |
| MK 8                     | AB Electronics                  | N                    | TVS                      | Amphenol/ Bendix/ Socapex/ Pyle | L                    |
| MK12                     | Plessey Connector               | N                    | VTT                      | FKI                             | L                    |
| MK25                     | Plessey Connector               | K                    |                          |                                 |                      |
| MK38                     | Plessey Connector               | K                    |                          |                                 |                      |
| MK8                      | Plessey Connector               | N                    |                          |                                 |                      |
| ML94                     | Matrix                          | L                    |                          |                                 |                      |
| MQ3                      | Matrix                          | J                    |                          |                                 |                      |
| MT3                      | Matrix                          | J                    |                          |                                 |                      |
| MT93                     | Matrix                          | L                    |                          |                                 |                      |
| P5                       | Plessey Connector               | N                    |                          |                                 |                      |
| PL                       | Deutsch                         | L                    |                          |                                 |                      |
| PT                       | ITT Cannon                      | N                    |                          |                                 |                      |
| PT33                     | FKI                             | N                    |                          |                                 |                      |
| PT33SE                   | FKI                             | N                    |                          |                                 |                      |
| PT44                     | FKI                             | N                    |                          |                                 |                      |
| PT44SE                   | FKI                             | N                    |                          |                                 |                      |
| PT55                     | FKI                             | N                    |                          |                                 |                      |
| PT55SE                   | FKI                             | N                    |                          |                                 |                      |
| PT77                     | FKI                             | N                    |                          |                                 |                      |
| PT77SE                   | FKI                             | N                    |                          |                                 |                      |
| PTG55                    | FKI                             | N                    |                          |                                 |                      |
| PTG55SE                  | FKI                             | N                    |                          |                                 |                      |
| PTS-DR                   | Amphenol/ Bendix/ Socapex/ Pyle | J                    |                          |                                 |                      |
| PT-SE                    | ITT Cannon                      | N                    |                          |                                 |                      |
| PV7                      | ITT Cannon                      | J                    |                          |                                 |                      |
| PVA                      | ITT Cannon                      | J                    |                          |                                 |                      |
| PV-G                     | ITT Cannon                      | J                    |                          |                                 |                      |
| PVJ                      | ITT Cannon                      | J                    |                          |                                 |                      |
| PV-S                     | ITT Cannon                      | J                    |                          |                                 |                      |
| PVW                      | ITT Cannon                      | J                    |                          |                                 |                      |
| PVX                      | ITT Cannon                      | J                    |                          |                                 |                      |
| RD1                      | Raychem                         | J                    |                          |                                 |                      |
| RR                       | Deutsch                         | J                    |                          |                                 |                      |
| RR20                     | Deutsch                         | J                    |                          |                                 |                      |

| Manufacturer's Part Number Prefix | Connector Group Code | Burdny           |   | Plessey Connector |   |
|-----------------------------------|----------------------|------------------|---|-------------------|---|
| AB Electronics                    |                      | CT               | K | 2PSN              | N |
| ABJ                               | K                    | Deutsch          |   | CT                | K |
| CT-R                              | K                    | 381              | J | CT-R              | K |
| MK 12                             | N                    | 837              | J | MK12              | N |
| MK 18                             | N                    | 83730            | J | MK25              | K |
| MK 8                              | N                    | RR70             | J | MK38              | K |
| Aero-Electric                     |                      | RR70             | J | MK8               | N |
| AE22                              | L                    | FKI              |   | P5                | N |
| AE46                              | K                    | JT-R             | K | Raychem           |   |
| AE47                              | K                    | LTT              | K | RDI               | J |
| AE48                              | K                    | PT33             | N | Souriau           |   |
| AE49                              | K                    | PT33SE           | N | 83723             | J |
| AE55                              | J                    | PT44             | N | 851               | N |
| AE77                              | J                    | PT44SE           | N | 8520              | J |
| AE83                              | J                    | PT55             | N | 8525              | J |
| Amphenol/ Bendix/ Socapex/ Pyle   |                      | PT55SE           | N | 8526              | J |
| 10-475                            | K                    | PT77             | N | 853               | J |
| 118                               | J                    | PT77SE           | N | 8533              | J |
| 162GB                             | N                    | PTG55            | N | 8534              | J |
| 418-1                             | K                    | PTG55SE          | N | 857               | J |
| 418-2                             | K                    | STT              | M | 89                | J |
| 418-5                             | M                    | TT               | K | 8D                | L |
| 486                               | J                    | VTT              | L | 8LT               | K |
| 518                               | J                    | TVP              | L | 8ST               | M |
| 602GB                             | J                    | Flight Connector |   | 8T                | K |
| 62GB                              | N                    | BL               | L | JVS               | L |
| 652                               | J                    | FF               | J | Teldix            |   |
| 711                               | J                    | FH               | J | JT-R              | K |
| 801                               | J                    | G & H Technology |   | TRW/Cinch         |   |
| 91-483                            | J                    | CNO              | L | CN0930            | J |
| B                                 | J                    | Glenair          |   |                   |   |
| BE                                | J                    | 65               | L |                   |   |
| BT                                | J                    | 66               | L |                   |   |
| BY1                               | J                    | ITT Cannon       |   |                   |   |
| EA                                | J                    | CGK              | M |                   |   |
| EB                                | J                    | CV340            | J |                   |   |
| EEG                               | J                    | CV345            | J |                   |   |
| ES                                | J                    | HTMF             | J |                   |   |
| ET                                | J                    | KJ               | K |                   |   |
| JT                                | K                    | KJA              | L |                   |   |
| LJT                               | K                    | KJAD/V4          | L |                   |   |
| LS                                | J                    | KJL              | K |                   |   |
| PTS-DR                            | J                    | MB3              | J |                   |   |
| SJT                               | M                    | MB9              | K |                   |   |
| T3                                | L                    | MD               | J |                   |   |
| TV                                | L                    | ML94             | L |                   |   |
| TVRB                              | L                    | MQ3              | J |                   |   |
| TVS                               | L                    | MT3              | J |                   |   |
|                                   |                      | MT93             | L |                   |   |

# MATERIALS & FINISHES

Amphenol offers adapters in the following standard finishes. The base material is aluminum alloy.

- Aluminum parts: As per ASTM B 211, 221, 209, 85, 26
- Steel parts: 300 series, as per AMS-QQ-S-763/ASTM A 582
- Elastomers: fluorosilicone, silicone
- Other parts: Suitable corrosion resistant material
- Nickel Aluminum (NiAl)-Bronze AMS-QQ-C-465

**Backshell Plating Finishes (Table 2)**

| Amphenol Designation | MIL Designation | Finish                                     | Guiding Specifications/Requirements   | RoHS       |
|----------------------|-----------------|--|---|------------|
| A                    | A               | Anodized, Black*                           | To meet AS85049 Requirements  | Yes        |
| B                    |                 | Anodized, Hard*                            | AMS-A-8625, Type-III, Class-1   | Yes        |
| L                    |                 | Nickel, Bright                             | AMS-QQ-290, Class-1, Grade-F  | Yes        |
| M                    |                 | Electroless Nickel                         | AMS-C-26074, Class-4, Grade-B   | Yes        |
| N                    | N               | Electroless Nickel                         | To meet AS85049 Requirements  | Yes        |
| C                    |                 | Cadmium, Bright                            | AMS-QQ-P-416, Type-I, Class-2   | No         |
| T                    |                 | Cadmium, Bright                            | AMS-QQ-P-416, Type-1, Class 3   | No         |
| U                    |                 | Cadmium Olive Drab                         | AMS-QQ-P-416, Type-II, Class-3  | No         |
| V                    |                 | Cadmium Olive Drab over Electroless Nickel | AMS-QQ-P-416, Type-II, Class-3 (Cadmium);<br>AMS-C-26074, Class-4, Grade-B (Nickel) | No         |
| W                    | W               | Cadmium Olive Drab over Electroless Nickel | To meet AS85049 Requirements  | No         |
| Y                    |                 | Zinc-Cobalt, Dark Olive Drab               | ASTM-B840   | Yes        |
| Z                    |                 | Zinc-Cobalt, Black                         | ASTM-B840   | Yes        |
| ZN                   |                 | Zinc Nickel (500 Hrs. Salt Spray)          | ASTM-B841   | Yes        |
| TN                   |                 | Nickel Fluorocarbon (500 Hrs. Salt Spray)  |   | Yes        |
| S                    |                 | Passivate- Stainless Steel                 | AMS-QQ-P-35 or ASTM A 967   | Yes        |
| D                    |                 | Nickel-Stainless Steel                     | AMS-QQ-290, Class-1, Grade-F  | Yes        |
| ST                   |                 | Tin Plate-Stainless Steel                  | ASTM B 545 Type-1   | Not Tested |
| E                    |                 | Cadmium Olive Drab-Stainless Steel         | AMS-QQ-P-416  | No         |
| F                    |                 | Cadmium, Black- Stainless Steel            | AMS-QQ-P-416  | No         |
| K                    |                 | Unplated-Nickel Aluminum-Bronze            |   | Yes        |

\*Non Conductive coatings, not suitable for EMI applications.

**Dust Cap Finishes (Pgs.22-29)**

| Amphenol Designation | Finish                           | Guiding Specifications/Requirements                     | RoHS |
|----------------------|----------------------------------|---|------|
| A                    | Hard Anodic Black*               | AMS-A-8625 TYPE III ASTM B117                           | Yes  |
| SD                   | Zinc Nickel Black                | ASTM B 841, Type D                                      | Yes  |
| F                    | Electroless Nickel               | AMS-C-26074 Class 4, Grade B, ASTM-B-733, SC 2, Type II | Yes  |
| W                    | Cadmium Olive drab Green         | SAE-AMS-QQ-P-416  | No   |
| T                    | PTFE Nickel Plating              | GMF-002, Type II, Class 1                               | Yes  |
| EB                   | Cadmium Free Zn Co Green         | ASTM B 840, Grade 6, Type D                             | Yes  |
| FB                   | Cadmium Free Zn Co Black         | ASTM B 840, Grade 6, Type D                             | Yes  |
| CD                   | Passivation over stainless steel | SAE-AMS-QQ-P-35, Type VI                                | Yes  |
| NB                   | Un-plated Marine Bronze          |   | Yes  |

\*Non Conductive coatings, not suitable for EMI applications.

# ASSEMBLY TORQUE VALUE & STYLE 2 CONFIGURATION

Amphenol recommends the following torque values for its adapters while assembling them to the connectors. These values are based on the coupling thread strength specified in SAE-AS85049 standard.

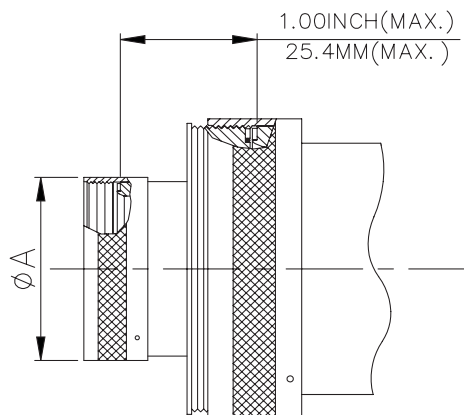
| Assembly Torque Value |                      |
|-----------------------|----------------------|
| Connector Shell Size  | Torque (Inch-Pounds) |
| 8,9                   | 40                   |
| 3, 10, 10SL, 11       | 40                   |
| 7, 12, 12S, 13        | 40                   |
| 14, 14S, 15           | 40                   |
| 16, 16S, 17           | 40                   |
| 18, 19, 27            | 40                   |
| 20, 21, 37            | 80                   |
| 22, 23                | 80                   |
| 24, 25, 61            | 80                   |
| 28                    | 100                  |
| 32                    | 100                  |
| 36                    | 100                  |
| 40                    | 120                  |
| 44                    | 120                  |
| 48                    | 120                  |

| Torque Values for Cable Clamp Screw |                      |
|-------------------------------------|----------------------|
| Screw Size                          | Torque (Inch-Pounds) |
| 2-56                                | 2 ± .5               |
| 4-40                                | 4 ± .5               |
| 6-32                                | 6 ± 1.0              |
| 8-32                                | 8 ± 1.0              |
| 10-32                               | 10 ± 1.0             |
| .250-20                             | 12 ± 1.0             |

\*Recommended 75-80% of Values shown for installation

## Style 2 Configuration

Some design consideration will require bigger diameter cable to be terminated in the smaller shell size connectors. Cable with heavy/thicker shielding, many wires for different branches/routing are some of the examples. Such cable termination will require a bigger adapter body with cable entry dimensions more than the connector rear side dimensions. Amphenol support this kind of applications too. The coupling end of the adapter will be modified to Style-2 design as shown in the figure in such cases. The overall length of the style-2 design adapters would be increased by approximately 1inch (25.4mm) as shown. This alternate design is applicable for all the 'Backshell Families' listed in this catalogue.



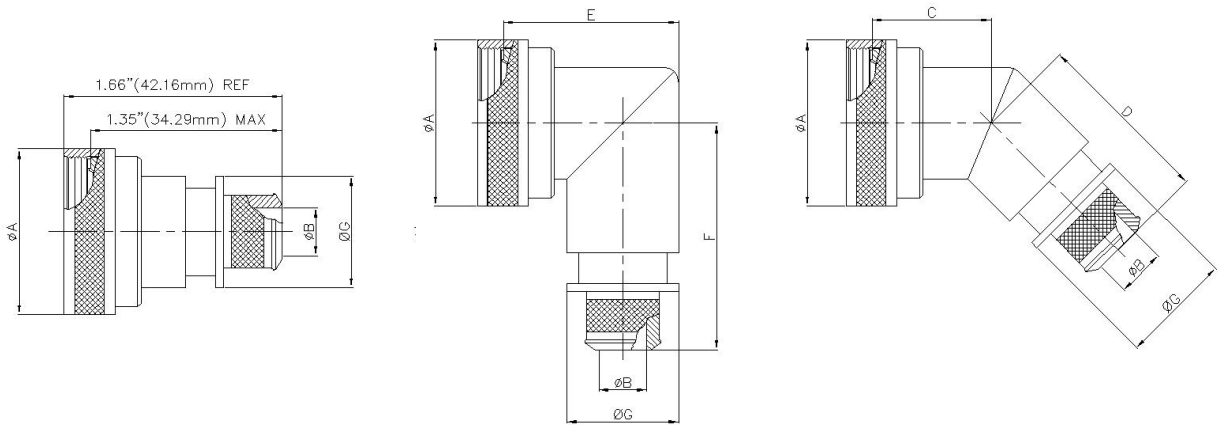
# BAND LOCK ADAPTER

## STRAIGHT; 90° & 45°; SELF-LOCK

26482 Series II; 5015 (MS345X); 83723 Series III

MIL Part Number

|        |                                    |                         |                             |                         |
|--------|------------------------------------|-------------------------|-----------------------------|-------------------------|
| M85049 | /82                                | 10                      | W                           | 02                      |
| Series | Slash Sheet                        | Shell Size<br>(Table A) | Finish<br>(Table 2, pg. 14) | Entry Size<br>(Table A) |
|        | 82: Straight<br>83: 45°<br>84: 90° |                         |                             |                         |



| MIL PART NUMBER DESIGNATOR |            | CONNECTOR SHELL SIZE | A DIA. (MAX) |       | B DIA. (MAX) |       | C (MAX) |       | D (MAX) |       | E (MAX) |       | F (MAX.) |       | G MAX |       |
|----------------------------|------------|----------------------|--------------|-------|--------------|-------|---------|-------|---------|-------|---------|-------|----------|-------|-------|-------|
| ACCESSORY SHELL SIZE       | ENTRY SIZE |                      | INCH         | MM    | +0.00        | +0.00 | INCH    | MM    | INCH    | MM    | INCH    | MM    | INCH     | MM    | INCH  | MM    |
|                            |            |                      |              |       | -0.02        | -0.50 |         |       |         |       |         |       |          |       |       |       |
| 08                         | 02         | 8                    | 0.89         | 22.48 | N/A          | N/A   | 0.87    | 22.10 | 1.16    | 29.46 | 1.19    | 30.18 | 1.42     | 35.99 | N/A   | N/A   |
|                            | 03         |                      |              |       | 0.26         | 6.60  |         |       |         |       |         |       |          |       | 0.56  | 14.22 |
| 10                         | 02         | 10                   | 1.01         | 25.65 | N/A          | N/A   | 0.89    | 22.61 | 1.18    | 29.97 | 1.28    | 32.54 | 1.48     | 37.59 | N/A   | N/A   |
|                            | 03         |                      |              |       | 0.32         | 8.13  |         |       |         |       |         |       |          |       | 0.63  | 16.00 |
| 12                         | 02         | 7 / 12               | 1.14         | 28.83 | 0.32         | 8.13  | 0.92    | 23.37 | 1.20    | 30.48 | 1.41    | 35.71 | 1.54     | 39.17 | 0.63  | 16.00 |
|                            | 03         |                      |              |       | 0.45         | 11.43 |         |       |         |       |         |       |          |       | 0.75  | 19.05 |
| 14                         | 02         | 12 / 14              | 1.26         | 32.00 | 0.45         | 11.43 | 0.94    | 23.88 | 1.22    | 30.99 | 1.53    | 38.89 | 1.61     | 40.77 | 0.75  | 19.05 |
|                            | 03         |                      |              |       | 0.57         | 14.48 |         |       |         |       |         |       |          |       | 0.89  | 22.61 |
| 16                         | 02         | 19 / 16              | 1.39         | 35.18 | 0.51         | 12.95 | 0.96    | 24.38 | 1.25    | 31.75 | 1.66    | 42.06 | 1.67     | 42.34 | 0.82  | 20.83 |
|                            | 03         |                      |              |       | 0.64         | 16.26 |         |       |         |       |         |       |          |       | 0.95  | 24.13 |
| 18                         | 02         | 27 / 18              | 1.51         | 38.35 | 0.64         | 16.26 | 0.98    | 24.89 | 1.26    | 32.00 | 1.72    | 43.64 | 1.73     | 43.94 | 0.95  | 24.13 |
|                            | 03         |                      |              |       | 0.76         | 19.30 |         |       |         |       |         |       |          |       | 1.07  | 27.18 |
| 20                         | 02         | 37 / 20              | 1.64         | 41.53 | 0.64         | 16.26 | 1.00    | 25.40 | 1.29    | 32.77 | 1.84    | 46.84 | 1.79     | 45.52 | 0.95  | 24.13 |
|                            | 03         |                      |              |       | 0.82         | 20.83 |         |       |         |       |         |       |          |       | 1.13  | 28.07 |
| 22                         | 02         | 22                   | 1.76         | 44.70 | 0.70         | 17.78 | 1.03    | 26.16 | 1.31    | 33.27 | 1.94    | 49.23 | 1.85     | 46.99 | 1.02  | 25.99 |
|                            | 03         |                      |              |       | 0.95         | 24.13 |         |       |         |       |         |       |          |       | 1.26  | 32.00 |
| 24                         | 02         | 24                   | 1.89         | 47.88 | 0.76         | 19.30 | 1.05    | 26.67 | 1.34    | 34.04 | 2.09    | 53.16 | 1.92     | 48.69 | 1.07  | 27.18 |
|                            | 03         |                      |              |       | 1.01         | 25.65 |         |       |         |       |         |       |          |       | 1.32  | 33.53 |
| 28                         | 02         | 28                   | 2.14         | 54.23 | 0.89         | 22.61 | 1.10    | 27.94 | 1.38    | 35.05 | 2.53    | 64.29 | 2.04     | 51.87 | 1.19  | 30.23 |
|                            | 03         |                      |              |       | 1.14         | 28.96 |         |       |         |       |         |       |          |       | 1.47  | 37.34 |



## STRAIGHT; 90° & 45°; SELF-LOCK

38999 Series I & Series II

### MIL Part Number

|        |                                    |                         |                             |                         |
|--------|------------------------------------|-------------------------|-----------------------------|-------------------------|
| M85049 | /85                                | -10                     | W                           | 02                      |
| Series | Slash Sheet                        | Shell Size<br>(Table A) | Finish<br>(Table 2, pg. 14) | Entry Size<br>(Table A) |
|        | 85: Straight<br>86: 45°<br>87: 90° |                         |                             |                         |

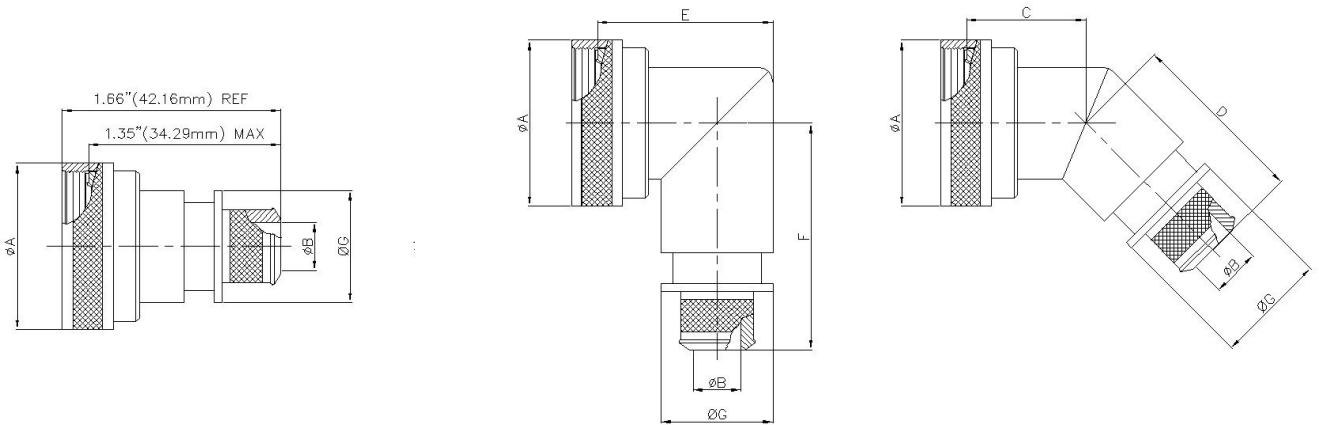


TABLE - A

| ACCESSORY SHELL SIZE | M85049/85<br>ENTRY SIZE | M85049/86<br>M85049/87<br>ENTRY SIZE | CONNECTOR SHELL SIZE SE - II/I | ØA(MAX) |          | ØB             |                | C (MAX) |       | D (MAX) |       | E (MAX) |       | F (MAX) |       | G (MAX) |       |
|----------------------|-------------------------|--------------------------------------|--------------------------------|---------|----------|----------------|----------------|---------|-------|---------|-------|---------|-------|---------|-------|---------|-------|
|                      |                         |                                      |                                | INCH    | MM       | +0.00<br>-0.02 | +0.00<br>-0.50 | INCH    | MM    | INCH    | MM    | INCH    | MM    | INCH    | MM    | INCH    | MM    |
|                      |                         |                                      |                                | 08      | 01<br>02 | 02<br>03       | 8/9            | 0.86    | 21.82 | N/A     | N/A   | 0.87    | 22.10 | 1.16    | 29.46 | 1.38    | 34.93 |
| 10                   | 01<br>02                | 02<br>03                             | 10/11                          | 0.99    | 25.04    | N/A            | N/A            | 0.90    | 22.86 | 1.19    | 30.23 | 1.44    | 36.50 | 1.48    | 37.59 | N/A     | N/A   |
| 12                   | 01<br>02                | 02<br>03                             | 12/13                          | 1.16    | 29.36    | 0.32           | 8.13           | 0.92    | 23.37 | 1.21    | 30.73 | 1.56    | 39.67 | 1.55    | 39.45 | 0.63    | 16.00 |
| 14                   | 01<br>02                | 02<br>03                             | 14/15                          | 1.28    | 32.54    | 0.45           | 11.43          | 0.95    | 24.13 | 1.24    | 31.50 | 1.69    | 42.85 | 1.61    | 41.00 | 0.75    | 19.05 |
| 16                   | 01<br>02                | 02<br>03                             | 16/17                          | 1.41    | 35.71    | 0.51           | 12.95          | 0.98    | 24.89 | 1.26    | 32.00 | 1.75    | 44.45 | 1.68    | 42.62 | 0.89    | 22.61 |
| 18                   | 01<br>02                | 02<br>03                             | 18/19                          | 1.52    | 38.51    | 0.64           | 16.26          | 0.98    | 24.89 | 1.27    | 32.26 | 1.88    | 47.63 | 1.73    | 44.02 | 0.82    | 20.83 |
| 20                   | 01<br>02                | 02<br>03                             | 20/21                          | 1.64    | 41.68    | 0.76           | 19.30          | 1.01    | 25.65 | 1.30    | 33.02 | 1.94    | 49.23 | 1.80    | 45.62 | 0.95    | 24.13 |
| 22                   | 01<br>02                | 02<br>03                             | 22/23                          | 1.77    | 44.86    | 0.82           | 20.83          | 1.04    | 26.42 | 1.33    | 33.78 | 2.06    | 52.37 | 1.86    | 47.22 | 1.07    | 27.18 |
| 24                   | 01<br>02                | 02<br>03                             | 24/25                          | 1.89    | 48.03    | 0.95           | 24.13          | 1.07    | 27.18 | 1.35    | 34.29 | 2.13    | 53.98 | 1.92    | 48.74 | 1.02    | 25.99 |
|                      |                         |                                      |                                |         |          | 1.01           | 25.65          |         |       |         |       |         |       |         |       | 1.26    | 32.00 |
|                      |                         |                                      |                                |         |          |                |                |         |       |         |       |         |       |         |       | 1.07    | 27.18 |
|                      |                         |                                      |                                |         |          |                |                |         |       |         |       |         |       |         |       | 1.32    | 33.53 |

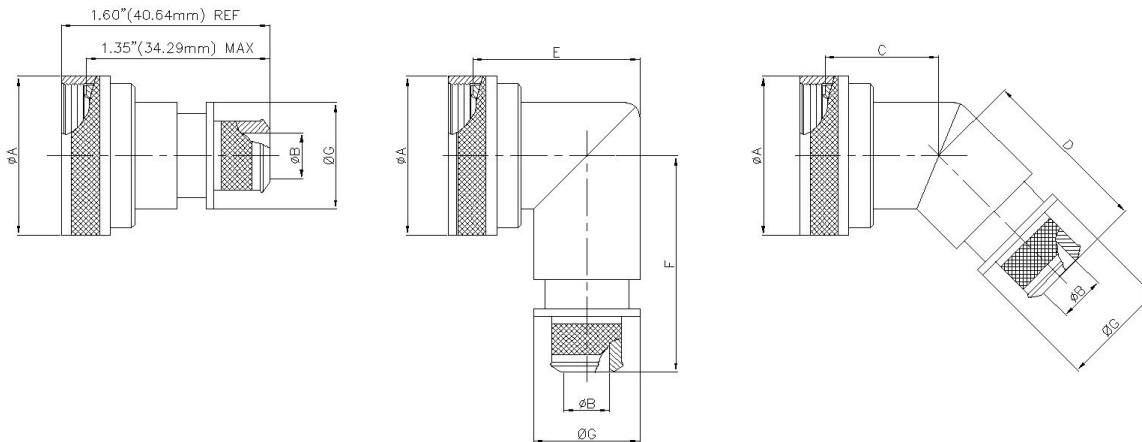
# BAND LOCK ADAPTER

STRAIGHT; 90° & 45°; SELF-LOCK

38999 Series III & Series IV

MIL Part Number

|        |                                    |                         |                             |                         |
|--------|------------------------------------|-------------------------|-----------------------------|-------------------------|
| M85049 | /88                                | 10                      | W                           | 02                      |
| Series | Slash Sheet                        | Shell Size<br>(Table A) | Finish<br>(Table 2, pg. 14) | Entry Size<br>(Table A) |
|        | 88: Straight<br>89: 45°<br>90: 90° |                         |                             |                         |



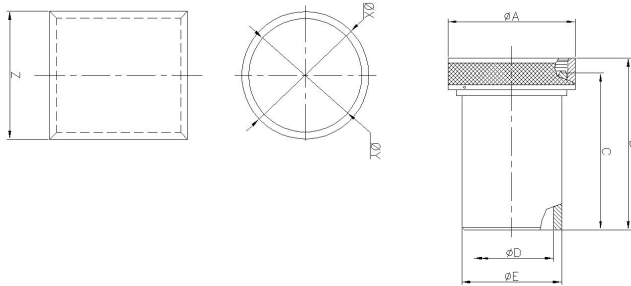
| MIL PART NUMBER DESIGNATOR |            | CONNECTOR SHELL SIZE/ CODE (REF.) | A DIA. (MAX) |       | B DIA. (MAX) |       | C (MAX) |       | D (MAX) |       | E (MAX) |       | F (MAX.) |       | G MAX |       |
|----------------------------|------------|-----------------------------------|--------------|-------|--------------|-------|---------|-------|---------|-------|---------|-------|----------|-------|-------|-------|
| CONNECTOR SHELL SIZE       | ENTRY SIZE |                                   | INCH         | MM    | +0.00        | +0.00 | INCH    | MM    | INCH    | MM    | INCH    | MM    | INCH     | MM    | INCH  | MM    |
|                            |            |                                   |              |       | -0.02        | -0.50 |         |       |         |       |         |       |          |       |       |       |
| 9                          | 02         | 09 / A                            | 0.86         | 21.82 | N/A          | N/A   | 1.01    | 25.65 | 1.16    | 29.46 | 1.38    | 34.93 | 1.42     | 35.99 | N/A   | N/A   |
|                            | 03         |                                   |              |       | 0.26         | 6.60  |         |       |         |       |         |       |          |       | 0.56  | 14.22 |
| 11                         | 02         | 11 / B                            | 0.99         | 25.04 | N/A          | N/A   | 1.03    | 26.16 | 1.19    | 30.23 | 1.44    | 36.50 | 1.48     | 37.59 | N/A   | N/A   |
|                            | 03         |                                   |              |       | 0.32         | 8.13  |         |       |         |       |         |       |          |       | 0.63  | 16.00 |
| 13                         | 02         | 13 / C                            | 1.16         | 29.36 | 0.32         | 8.13  | 1.06    | 26.92 | 1.21    | 30.73 | 1.56    | 39.67 | 1.55     | 39.45 | 0.63  | 16.00 |
|                            | 03         |                                   |              |       | 0.45         | 11.43 |         |       |         |       |         |       |          |       | 0.75  | 19.05 |
| 15                         | 02         | 15 / D                            | 1.28         | 32.54 | 0.45         | 11.43 | 1.08    | 27.43 | 1.24    | 31.50 | 1.69    | 42.85 | 1.61     | 41.00 | 0.75  | 19.05 |
|                            | 03         |                                   |              |       | 0.57         | 14.48 |         |       |         |       |         |       |          |       | 0.89  | 22.61 |
| 17                         | 02         | 17 / E                            | 1.41         | 35.71 | 0.51         | 12.95 | 1.11    | 28.19 | 1.26    | 32.00 | 1.75    | 44.45 | 1.68     | 42.62 | 0.82  | 20.83 |
|                            | 03         |                                   |              |       | 0.64         | 16.26 |         |       |         |       |         |       |          |       | 0.95  | 24.13 |
| 19                         | 02         | 19 / F                            | 1.52         | 38.51 | 0.64         | 16.26 | 1.12    | 28.45 | 1.27    | 32.26 | 1.88    | 47.63 | 1.77     | 45.03 | 0.95  | 24.13 |
|                            | 03         |                                   |              |       | 0.76         | 19.30 |         |       |         |       |         |       |          |       | 1.07  | 27.18 |
| 21                         | 02         | 21 / G                            | 1.64         | 41.68 | 0.64         | 16.26 | 1.15    | 29.21 | 1.30    | 33.02 | 1.94    | 49.23 | 1.80     | 45.62 | 0.95  | 24.13 |
|                            | 03         |                                   |              |       | 0.82         | 20.83 |         |       |         |       |         |       |          |       | 1.13  | 28.07 |
| 23                         | 02         | 23 / H                            | 1.77         | 44.86 | 0.70         | 17.78 | 1.17    | 29.72 | 1.33    | 33.78 | 2.06    | 52.37 | 1.86     | 47.22 | 1.02  | 25.99 |
|                            | 03         |                                   |              |       | 0.95         | 24.13 |         |       |         |       |         |       |          |       | 1.26  | 32.00 |
| 25                         | 02         | 25 / J                            | 1.89         | 48.03 | 0.76         | 19.30 | 1.20    | 30.48 | 1.35    | 34.29 | 2.13    | 53.98 | 1.92     | 48.74 | 1.07  | 27.18 |
|                            | 03         |                                   |              |       | 1.01         | 25.65 |         |       |         |       |         |       |          |       | 1.32  | 33.53 |

# CRIMP RING ADAPTER

## STRAIGHT; SPIN COUPLING

26482 Series II; 5015 (MS345X); 83723 Series III

### MIL Part Number



|        |                             |                         |  |                             |
|--------|-----------------------------|-------------------------|--|-----------------------------|
| M85049 | /26                         | -1                      | 10   | W                           |
| Series | Slash Sheet                 | Shell Size<br>(Table A) | Dash Number<br>(Table A: 26-1 & 26-3)<br>(Table B: 26-2) | Finish<br>(Table 2, pg. 14) |
|        | 26: Straight, Spin Coupling |                         |  |                             |

| MIL PART NUMBER DESIGNATOR | CONNECTOR SHELL SIZE | A DIA (MAX) |       | B (MAX) |       | C (MAX) |       | D DIA (MAX) |       | E DIA. (MAX) |       |
|----------------------------|----------------------|-------------|-------|---------|-------|---------|-------|-------------|-------|--------------|-------|
|                            |                      | INCH        | MM    | INCH    | MM    | INCH    | MM    | INCH        | MM    | INCH         | MM    |
| 8                          | 8                    | 0.62        | 15.67 | 1.28    | 32.34 | 0.96    | 24.38 | 0.25        | 6.35  | 0.35         | 8.81  |
| 10                         | 10                   | 0.73        | 18.64 | 1.28    | 32.34 | 0.96    | 24.38 | 0.33        | 8.26  | 0.50         | 12.70 |
| 12                         | 7/12                 | 0.86        | 21.79 | 1.28    | 32.34 | 0.96    | 24.38 | 0.42        | 10.67 | 0.51         | 12.95 |
| 14                         | 12/14                | 0.98        | 24.99 | 1.28    | 32.34 | 0.96    | 24.38 | 0.54        | 13.72 | 0.63         | 16.00 |
| 16                         | 19/16                | 1.11        | 28.24 | 1.28    | 32.34 | 0.96    | 24.38 | 0.67        | 17.02 | 0.76         | 19.30 |
| 18                         | 27/18                | 1.22        | 30.94 | 1.28    | 32.34 | 0.96    | 24.38 | 0.79        | 20.04 | 0.89         | 22.61 |
| 20                         | 37/20                | 1.35        | 34.16 | 1.28    | 32.34 | 0.96    | 24.38 | 0.91        | 23.22 | 1.01         | 25.65 |
| 22                         | 22                   | 1.47        | 37.29 | 1.28    | 32.34 | 0.96    | 24.38 | 1.04        | 26.39 | 1.13         | 28.70 |
| 24                         | 24                   | 1.59        | 40.46 | 1.28    | 32.34 | 0.96    | 24.38 | 1.11        | 28.24 | 1.20         | 30.48 |
| 28                         | 28                   | 1.97        | 50.01 | 1.44    | 36.55 | 0.96    | 24.38 | 1.39        | 35.28 | 1.56         | 39.62 |
| 32                         | 32                   | 2.22        | 56.36 | 1.44    | 36.55 | 0.96    | 24.38 | 1.64        | 41.53 | 1.81         | 45.97 |
| 36                         | 36                   | 2.47        | 62.71 | 1.44    | 36.55 | 0.96    | 24.38 | 1.85        | 46.99 | 2.06         | 52.32 |
| 40                         | 40                   | 2.72        | 69.06 | 1.44    | 36.55 | 0.96    | 24.38 | 2.07        | 52.45 | 2.31         | 58.67 |
| 44                         | 44                   | 2.97        | 75.41 | 1.44    | 36.55 | 0.96    | 24.38 | 2.32        | 58.93 | 2.56         | 65.02 |
| 48                         | 48                   | 3.22        | 81.76 | 1.44    | 36.55 | 0.96    | 24.38 | 2.57        | 65.28 | 2.81         | 71.37 |

| MIL PART NUMBER DESIGNATOR |               | CONNECTOR SHELL SIZE | X DIA |       |      |       | Y DIA |       |      |       | Z    |       |
|----------------------------|---------------|----------------------|-------|-------|------|-------|-------|-------|------|-------|------|-------|
| DASH NO                    | PART NO COLOR |                      | MIN   |       | MAX  |       | MIN   |       | MAX  |       | INCH | MM    |
|                            |               |                      | INCH  | MM    | INCH | MM    | INCH  | MM    | INCH | MM    |      |       |
| 8                          | GREEN         | 8                    | 0.45  | 11.38 | 0.46 | 11.63 | 0.40  | 10.16 | 0.41 | 10.41 | 0.25 | 6.35  |
| 10                         | RED           | 10                   | 0.66  | 16.76 | 0.68 | 17.27 | 0.59  | 14.86 | 0.60 | 15.11 | 0.44 | 11.18 |
| 12                         | RED           | 7/12                 | 0.66  | 16.76 | 0.68 | 17.27 | 0.59  | 14.86 | 0.60 | 15.11 | 0.44 | 11.18 |
| 14                         | BLUE          | 12/14                | 0.78  | 19.81 | 0.80 | 20.32 | 0.71  | 17.91 | 0.72 | 18.16 | 0.44 | 11.18 |
| 16                         | GRAY          | 19/16                | 0.91  | 23.11 | 0.93 | 23.62 | 0.84  | 21.21 | 0.85 | 21.46 | 0.44 | 11.18 |
| 18                         | BROWN         | 27/18                | 1.08  | 27.43 | 1.10 | 27.94 | 1.01  | 25.53 | 1.02 | 25.78 | 0.44 | 11.18 |
| 20                         | GREEN         | 37/20                | 1.20  | 30.48 | 1.22 | 30.99 | 1.13  | 28.58 | 1.14 | 28.83 | 0.44 | 11.18 |
| 22                         | PINK          | 22                   | 1.32  | 33.53 | 1.34 | 34.04 | 1.25  | 31.62 | 1.26 | 31.88 | 0.44 | 11.18 |
| 24                         | YELLOW        | 24                   | 1.39  | 35.23 | 1.41 | 35.74 | 1.31  | 33.32 | 1.32 | 33.58 | 0.44 | 11.18 |
| 28                         | RED           | 28                   | 1.74  | 44.20 | 1.76 | 44.70 | 1.67  | 42.29 | 1.68 | 42.55 | 0.44 | 11.18 |
| 32                         | GRAY          | 32                   | 1.99  | 50.55 | 2.01 | 51.05 | 1.92  | 48.64 | 1.93 | 48.90 | 0.44 | 11.18 |
| 36                         | GREEN         | 36                   | 2.24  | 56.90 | 2.26 | 57.40 | 2.17  | 54.99 | 2.18 | 55.25 | 0.44 | 11.18 |
| 40                         | ORANGE        | 40                   | 2.49  | 63.25 | 2.51 | 63.75 | 2.42  | 61.34 | 2.43 | 61.60 | 0.44 | 11.18 |
| 44                         | YELLOW        | 44                   | 2.74  | 69.20 | 2.76 | 70.10 | 2.67  | 67.69 | 2.68 | 67.95 | 0.44 | 11.18 |
| 48                         | BLUE          | 48                   | 2.99  | 75.95 | 3.01 | 76.45 | 2.92  | 74.04 | 2.93 | 74.30 | 0.44 | 11.18 |

# CRIMP RING ADAPTER

## STRAIGHT; SPIN COUPLING

38999 Series I & Series II

### MIL Part Number

|        |              |                        |                       |                          |
|--------|--------------|------------------------|-----------------------|--------------------------|
| M85049 | /33          | -2                     | -10                   | W                        |
| Series | Slash Sheet  | Adapter w/o Crimp Ring | Dash Number (Table A) | Finish (Table 2, pg. 14) |
|        | 33: Straight |                        |                       |                          |

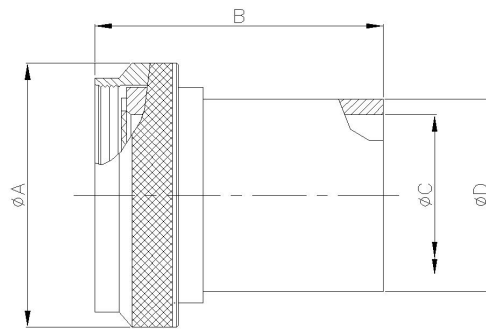


TABLE - A

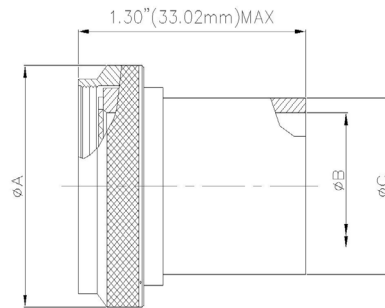
| MIL PART NUMBER DESIGNATOR | CONNECTOR SHELL SIZE SE - II / I | A DIA.(MAX) |       | B (MAX) |       | C DIA.(MAX) |       | D DIA.(MAX) |       |
|----------------------------|----------------------------------|-------------|-------|---------|-------|-------------|-------|-------------|-------|
|                            |                                  | INCH        | MM    | INCH    | MM    | INCH        | MM    | INCH        | MM    |
| 08                         | 8 / 9                            | 0.75        | 19.05 | 1.14    | 28.96 | 0.27        | 6.86  | 0.35        | 8.89  |
| 10                         | 10 / 11                          | 0.85        | 21.59 | 1.14    | 28.96 | 0.34        | 8.64  | 0.50        | 12.70 |
| 12                         | 12 / 13                          | 1.00        | 25.40 | 1.14    | 28.96 | 0.44        | 11.18 | 0.51        | 12.95 |
| 14                         | 14 / 15                          | 1.10        | 27.94 | 1.14    | 28.96 | 0.56        | 14.22 | 0.63        | 16.00 |
| 16                         | 16 / 17                          | 1.25        | 31.75 | 1.14    | 28.96 | 0.69        | 17.53 | 0.76        | 19.30 |
| 18                         | 18 / 19                          | 1.40        | 35.56 | 1.14    | 28.96 | 0.80        | 20.32 | 0.89        | 22.61 |
| 20                         | 20 / 21                          | 1.50        | 38.10 | 1.14    | 28.96 | 0.93        | 23.62 | 1.01        | 25.65 |
| 22                         | 22 / 23                          | 1.65        | 41.91 | 1.14    | 28.96 | 1.05        | 26.67 | 1.13        | 28.70 |
| 24                         | 24 / 25                          | 1.75        | 44.45 | 1.14    | 28.96 | 1.13        | 28.70 | 1.20        | 30.48 |

## STRAIGHT; SPIN COUPLING

38999 Series III & Series IV

### MIL Part Number

|        |              |                         |                             |
|--------|--------------|-------------------------|-----------------------------|
| M85049 | /20          | -11                     | W                           |
| Series | Slash Sheet  | Shell Size<br>(Table A) | Finish<br>(Table 2, pg. 14) |
|        | 20: Straight |                         |                             |

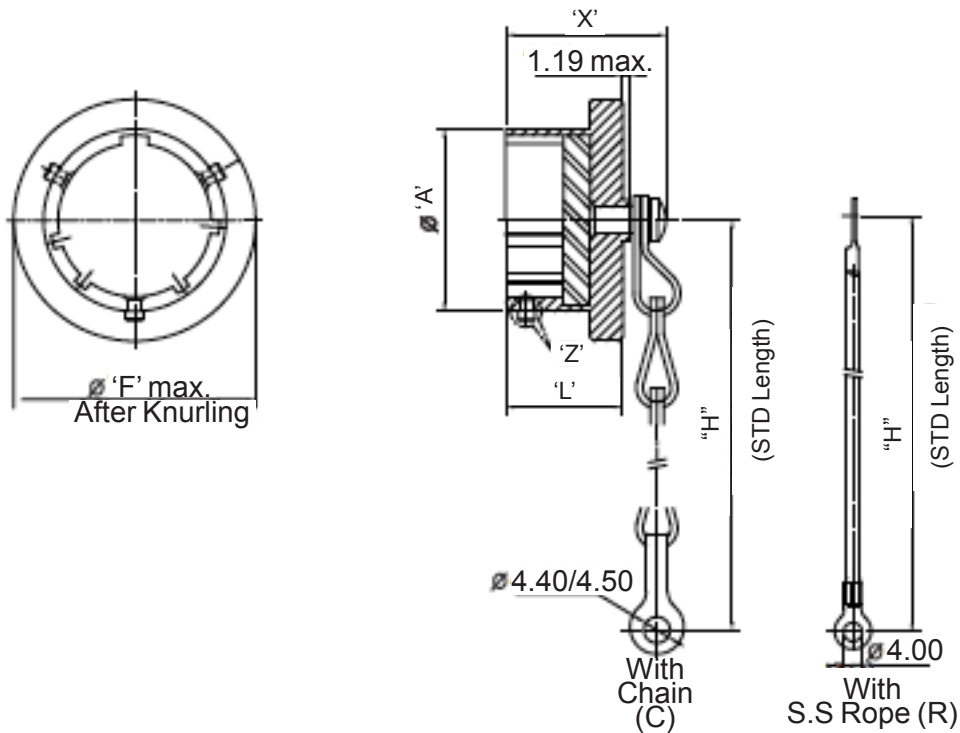


| MIL PART NUMBER<br>DESIGNATOR | CONNECTOR SHELL<br>SIZE/<br>CODE (REF.) | A DIA.(MAX) |       | B DIA.(MAX) |       | C DIA.(MAX) |       |
|-------------------------------|---|-------------|-------|-------------|-------|-------------|-------|
|                               |   | INCH        | MM    | INCH        | MM    | INCH        | MM    |
| 9                             | 9 / A                                   | 0.75        | 19.05 | 0.27        | 6.73  | 0.35        | 8.81  |
| 11                            | 11 / B                                  | 0.85        | 21.59 | 0.34        | 8.71  | 0.50        | 12.65 |
| 13                            | 13 / C                                  | 1.00        | 25.40 | 0.44        | 11.10 | 0.51        | 12.95 |
| 15                            | 15 / D                                  | 1.10        | 27.94 | 0.56        | 14.27 | 0.63        | 16.00 |
| 17                            | 17 / E                                  | 1.25        | 31.75 | 0.69        | 17.45 | 0.76        | 19.30 |
| 19                            | 19 / F                                  | 1.40        | 35.56 | 0.81        | 20.62 | 0.89        | 22.61 |
| 21                            | 21 / G                                  | 1.50        | 38.10 | 0.94        | 23.80 | 1.01        | 25.65 |
| 23                            | 23 / H                                  | 1.65        | 41.91 | 1.05        | 26.57 | 1.13        | 28.70 |
| 25                            | 25 / J                                  | 1.75        | 44.45 | 1.13        | 28.58 | 1.20        | 30.53 |

# MIL-DTL-26482 PROTECTIVE CAPS MS3180

Dust Caps

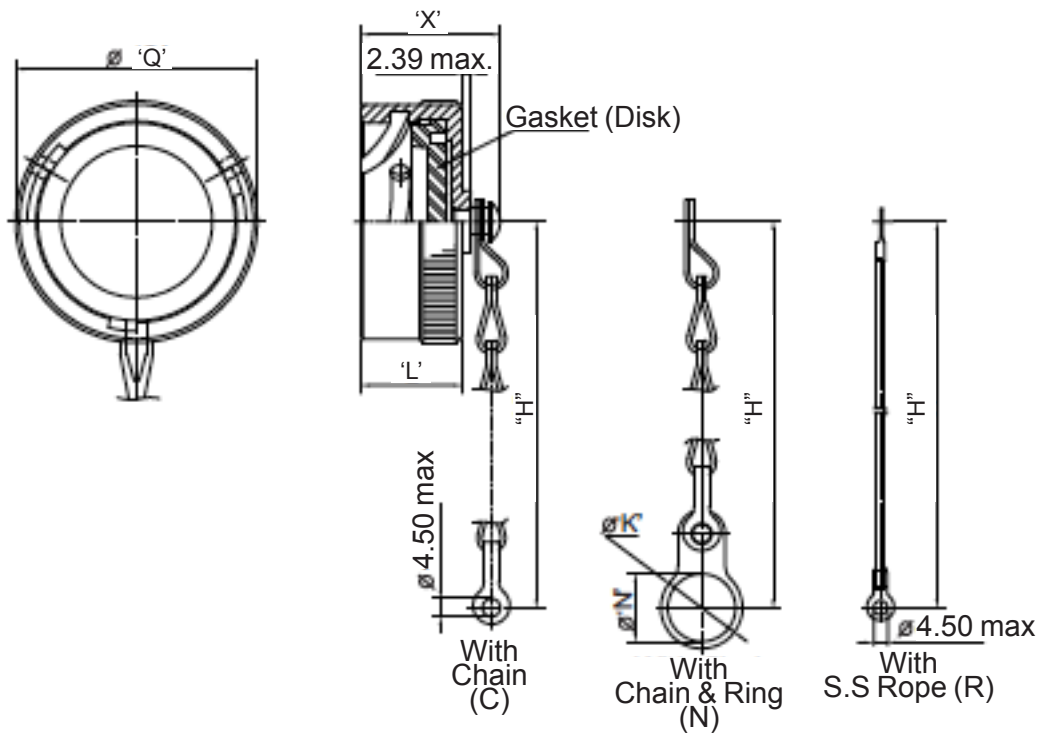
| MS3180                        | 10         | C                           | A   | L  |
|-------------------------------|------------|-----------------------------|---|--|
| Designates Plug<br>Dust Cover | Shell Size | Style                       | Class   | Length   |
|                               | 08         | C: W/ Chain<br>R: W/O Chain | A: Hard Anodize Black<br>K: Black Zinc Nickel<br>L: Electroless Nickel Plate<br>W: Cadmium Olive Drab | L: 127.0 + 12.7/-6.35 chain/rope<br>in lieu of std. length<br>(Omit for standard length "H") |
|                               | 10         |                             |   |  |
|                               | 12         |                             |   |  |
|                               | 14         |                             |   |  |
|                               | 16         |                             |   |  |
|                               | 18         |                             |   |  |
|                               | 20         |                             |   |  |
| 22                            |            |                             |   |  |
| 24                            |            |                             |   |  |



| SHELL SIZE | A Ref.<br>+0.03<br>-0.13 | F Max. Overall | H<br>+12.70<br>-6.35 | L Max. Length | X Max. Overall | F<br>+0.00/-0.08<br>For Heavy Duty |
|------------|--------------------------|----------------|----------------------|---------------|----------------|------------------------------------|
| 08         | 12.01                    | 18.26          | 76.20                | 14.27         | 19.84          | 22.10                              |
| 10         | 14.99                    | 21.44          |                      |               |                | 24.86                              |
| 12         | 19.05                    | 25.40          |                      |               |                | 29.24                              |
| 14         | 22.22                    | 28.58          | 88.90                |               |                | 32.41                              |
| 16         | 25.40                    | 31.75          |                      |               |                | 35.58                              |
| 18         | 28.58                    | 34.92          |                      |               |                | 38.22                              |
| 20         | 31.75                    | 38.10          | 101.60               | 15.88         | 21.44          | 41.94                              |
| 22         | 34.92                    | 41.28          |                      | 16.71         | 22.22          | 45.11                              |
| 24         | 38.10                    | 44.45          |                      |               |                | 48.18                              |

# MIL-DTL-26482 PROTECTIVE CAPS MS3181

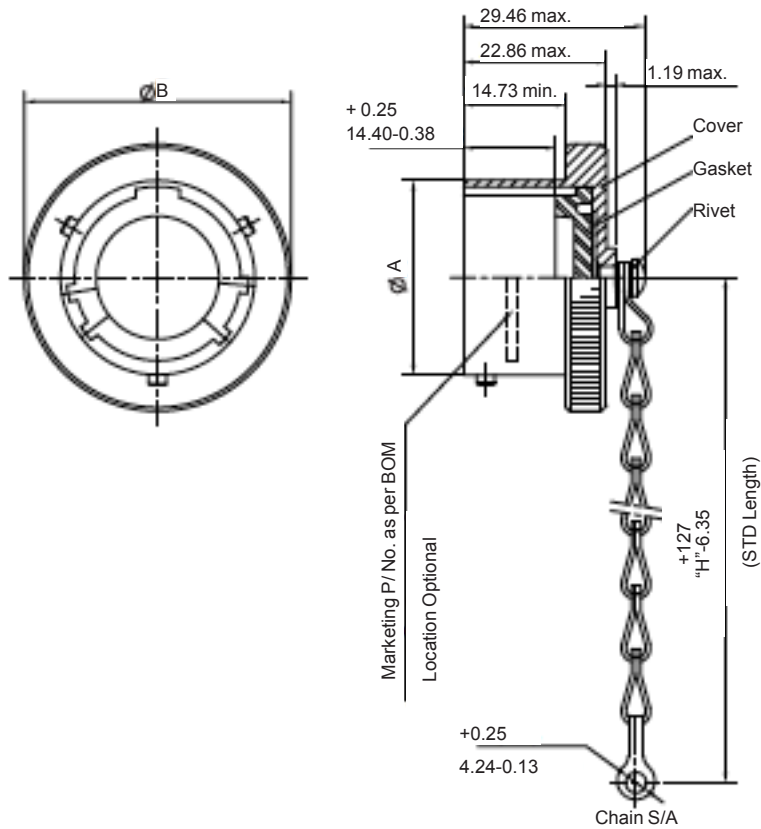
| MS3181                                 | 10         | C                  | A                           | L  |
|--|------------|--------------------|-----------------------------|--|
| Designates<br>Receptacle Dust<br>Cover | Shell Size | Style              | Class                       | Length   |
|  | 08         | C: W/ Chain        | A: Hard Anodize Black       | L: 127.0 + 12.7/-6.35 chain/rope<br>in lieu of std. length<br>(Omit for standard length "H") |
|  | 10         |                    | K: Black Zinc Nickel        |  |
|  | 12         |                    | L: Electroless Nickel Plate |  |
|  | 14         | N: W/ Chain & Ring | W: Cadmium Olive Drab       |  |
|  | 16         | R: W/O Chain       |                             |  |
|  | 18         |                    |                             |  |
|  | 20         |                    |                             |  |
|  | 22         |                    |                             |  |
| 24                                     |            |                    |                             |  |



| SHELL SIZE | H<br>+12.70/<br>-6.35 | K Max  | L Max | N MIN | Q MIN | F Max. Overall |
|------------|-----------------------|--------|-------|-------|-------|----------------|
| 08         | 76.20                 | 20.62  | 14.27 | 14.68 | 18.64 | 21.44          |
| 10         |                       | 25.40  |       | 17.86 | 21.82 |                |
| 12         |                       | 30.18  |       | 22.63 | 25.40 |                |
| 14         | 88.90                 | 88.90  |       | 25.81 | 28.58 |                |
| 16         |                       | 39.67  |       | 28.98 | 31.75 |                |
| 18         |                       | 42.88  |       | 32.16 | 34.92 |                |
| 20         | 101.60                | 46.02  |       | 35.33 | 38.10 |                |
| 22         |                       | 49.23  | 38.51 | 41.28 |       |                |
| 24         |                       | 101.60 | 15.29 | 41.68 | 44.45 | 22.22          |

# MIL-DTL-38999 SER I PLUG CAPS

| MS27501                    | 11         | C                           | B                     | L                              |
|----------------------------|------------|-----------------------------|-----------------------|--------------------------------|
|                            | Shell Size | Style                       | Class                 | Length                         |
| Designates Plug Dust Cover | 09         | C: W/ Chain<br>A: W/O Chain | C: Hard Anodize Black | L: 12.70 + 12.7/6.35 chain     |
|                            | 11         |                             | Z: Black Zinc Nickel  | M: 152.4 mm chain              |
|                            | 13         |                             | F: Electroless Nickel | N: 177.8 inch chain            |
|                            | 15         |                             | B: Cadmium Olive Drab | (Omit for standard length "H") |
|                            | 17         |                             |                       |                                |
|                            | 19         |                             |                       |                                |
|                            | 21         |                             |                       |                                |
|                            | 23         |                             |                       |                                |
| 25                         |            |                             |                       |                                |

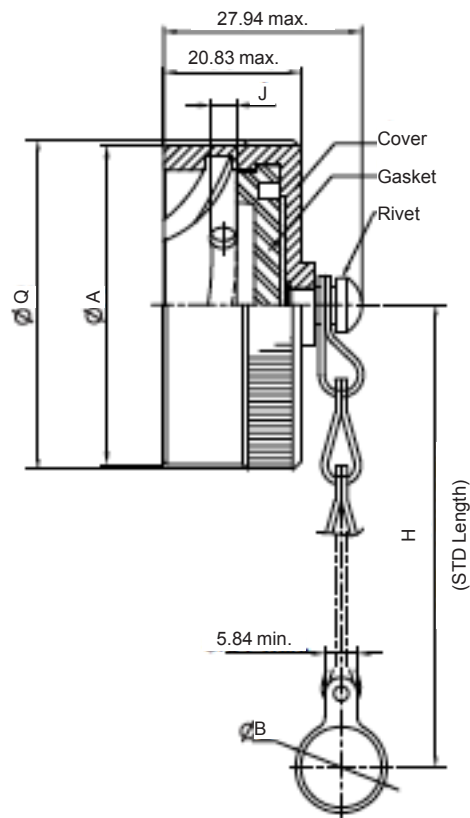


| SHELL SIZE | 'A'<br>$+0.02$<br>$-0.13$ | 'B'<br>max | H<br>$+12.70/$<br>$-6.35$ |
|------------|---------------------------|------------|---------------------------|
| 09         | 14.53                     | 20.83      | 76.20                     |
| 11         | 17.78                     | 23.88      |                           |
| 13         | 21.59                     | 27.18      |                           |
| 15         | 24.77                     | 30.23      |                           |
| 17         | 27.94                     | 33.53      | 88.90                     |
| 19         | 30.66                     | 36.58      |                           |
| 21         | 33.83                     | 39.88      |                           |
| 23         | 37.01                     | 42.93      | 101.60                    |
| 25         | 40.18                     | 46.23      |                           |



# MIL-DTL-38999 SER I RECEPTACLE CAPS

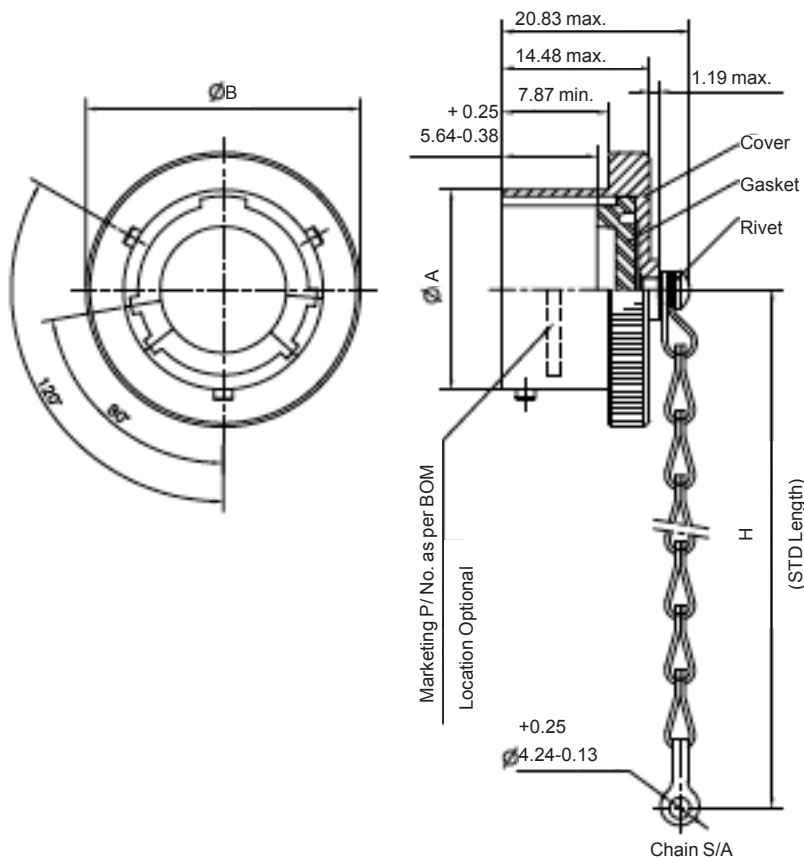
| MS27502                                | 11         | C                  | B                     | L   |
|--|------------|--------------------|-----------------------|---|
|  | Shell Size | Style              | Class                 | Length  |
| Designates<br>Receptacle Dust<br>Cover | 09         | C: W/ Chain        | C: Hard Anodize Black | L- 127.0 + 12.7/-6.35 chain/Rope in lieu of std. length<br><br>(Omit for standard length "H") |
|  | 11         |                    | Z: Black Zinc Nickel  |   |
|  | 13         |                    | F: Electroless Nickel |   |
|  | 15         | N: W/ Chain & Ring | B: Cadmium Olive Drab |   |
|  | 17         | A: W/O Chain       |                       |   |
|  | 19         |                    |                       |   |
|  | 21         |                    |                       |   |
|  | 25         |                    |                       |   |



| SHELL SIZE | A' Max | B' Min | H<br>+12.70/<br>-6.35 | J<br>+0.38 | Q<br>Max |
|------------|--------|--------|-----------------------|------------|----------|
| 09         | 20.83  | 17.78  | 76.20                 | 2.67       | 21.84    |
| 11         | 23.88  | 21.34  |                       |            | 24.89    |
| 13         | 27.94  | 25.65  |                       |            | 29.46    |
| 15         | 30.99  | 28.96  | 88.90                 |            | 32.51    |
| 17         | 34.05  | 32.00  |                       |            | 35.81    |
| 19         | 37.08  | 35.31  |                       |            | 38.61    |
| 21         | 40.13  | 38.35  | 101.60                | 41.91      |          |
| 23         | 43.18  | 41.66  |                       | 44.96      |          |
| 25         | 46.48  | 44.70  |                       | 48.01      |          |

# MIL-DTL-38999 SER II PLUG CAPS

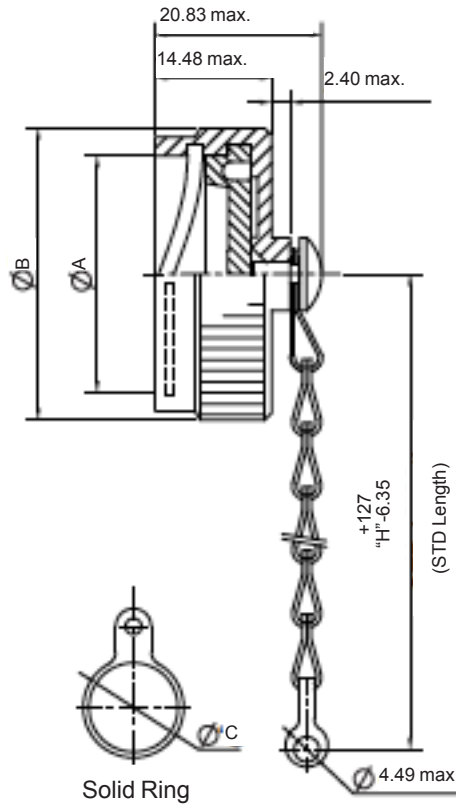
| MS27510                    | 08         | A            | C                     | L   |
|----------------------------|------------|--------------|-----------------------|---|
| Designates Plug Dust Cover | Shell Size | Style        | Class                 | Length  |
|                            | 08         | C: W/ Chain  | C: Hard Anodize Black | L- 127.0 + 12.7/-6.35 chain/Rope in lieu of std. length<br>M: 152.4<br>N: 177.8<br>(Omit for standard length "H") |
|                            | 10         |              | Z: Black Zinc Nickel  |   |
|                            | 12         |              | F: Electroless Nickel |   |
|                            | 14         | A: W/O Chain | B: Cadmium Olive Drab |   |
|                            | 16         |              |                       |   |
|                            | 18         |              |                       |   |
|                            | 20         |              |                       |   |
|                            | 22         |              |                       |   |
| 24                         |            |              |                       |   |



| SHELL SIZE | 'A'<br>+0.02<br>-0.13 | 'B'<br>max | H<br>+12.70/<br>-6.35 |
|------------|-----------------------|------------|-----------------------|
| 08         | 12.01                 | 18.29      | 76.20                 |
| 10         | 14.99                 | 21.59      |                       |
| 12         | 19.05                 | 25.40      |                       |
| 14         | 22.22                 | 28.70      |                       |
| 16         | 25.40                 | 31.75      |                       |
| 18         | 28.58                 | 35.05      |                       |
| 20         | 31.75                 | 38.10      | 101.60                |
| 22         | 34.92                 | 41.40      |                       |
| 24         | 38.10                 | 44.45      |                       |

# MIL-DTL-38999 SER II RECEPTACLE CAPS

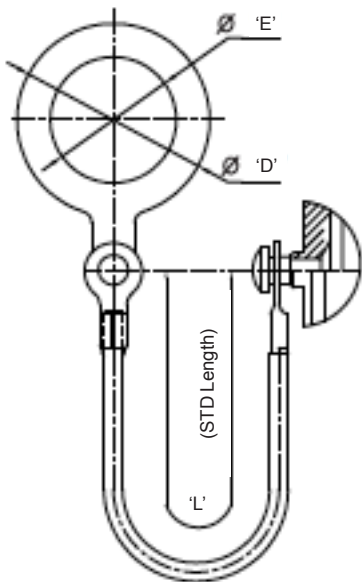
| MS27511                                | 10         | A  | B                     | L  |
|--|------------|--|-----------------------|--|
|  | Shell Size | Style  | Class                 | Length   |
| Designates<br>Receptacle Dust<br>Cover | 08         | C: W/ Chain  | C: Hard Anodize Black | L- 127.0 + 12.7/-6.35 chain/Rope in<br>lieu of std. length<br><br>(Omit for standard length "H") |
|  | 10         |  |                       |  |
|  | 12         | N: W/ Chain & Ring   | Z: Black Zinc Nickel  |  |
|  | 14         |  |                       |  |
|  | 16         | A: W/O Chain   | F: Electroless Nickel |  |
|  | 18         | R: S.S Rope hole<br>(3.28 max. 08 to 22 size)<br>(3.68 max. 24 size) | B: Cadmium Olive Drab |  |
|  | 20         |  |                       |  |
|  | 22         |  |                       |  |
| 24                                     |            |  |                       |  |



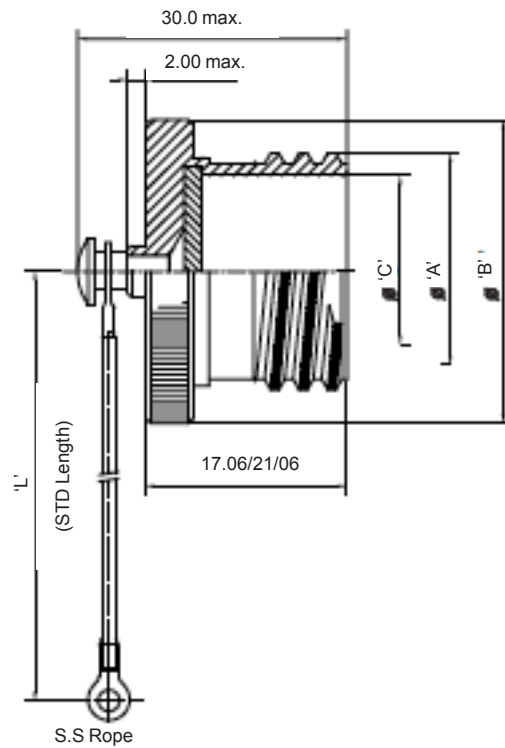
| SHELL SIZE | A' Max | B' Max | 'C' Min | H      |
|------------|--------|--------|---------|--------|
| 08         | 16.00  | 19.05  | 22.61   | 76.20  |
| 10         | 19.33  | 21.82  | 25.65   |        |
| 12         | 23.77  | 26.19  | 28.96   | 88.90  |
| 14         | 27.28  | 29.36  | 32.0    |        |
| 16         | 29.77  | 32.54  | 35.31   |        |
| 18         | 33.12  | 35.71  | 38.35   | 101.60 |
| 20         | 36.45  | 38.89  | 41.66   |        |
| 22         | 39.62  | 41.68  | 44.70   |        |
| 24         | 42.88  | 44.86  | 48.0    |        |

# MIL-DTL-38999 SER III PLUG CAPS D38999/32

|                               |            |   |   |
|-------------------------------|------------|---|---|
| D38999/32                     | 15         | R                                       | W   |
| Designates Plug<br>Dust Cover | Shell Size | Style                                   | Class   |
|                               | 09         | N: W/ S.S Rope & Ring<br>R: W/ S.S Rope | W: Aluminum Alloy 500 Hrs. Cadmium Olive Drab<br>Z: Aluminum Alloy 500 Hrs. Black Zinc Nickel<br>F: Aluminum Alloy 48 Hrs. Electroless Nickel |
|                               | 11         |   |   |
|                               | 13         |   |   |
|                               | 15         |   |   |
|                               | 17         |   |   |
|                               | 19         |   |   |
|                               | 21         |   |   |
| 23                            |            |   |   |
| 25                            |            |   |   |



(Alternate Type For Jam Nit Type Only)  
S.S Rope with Ring

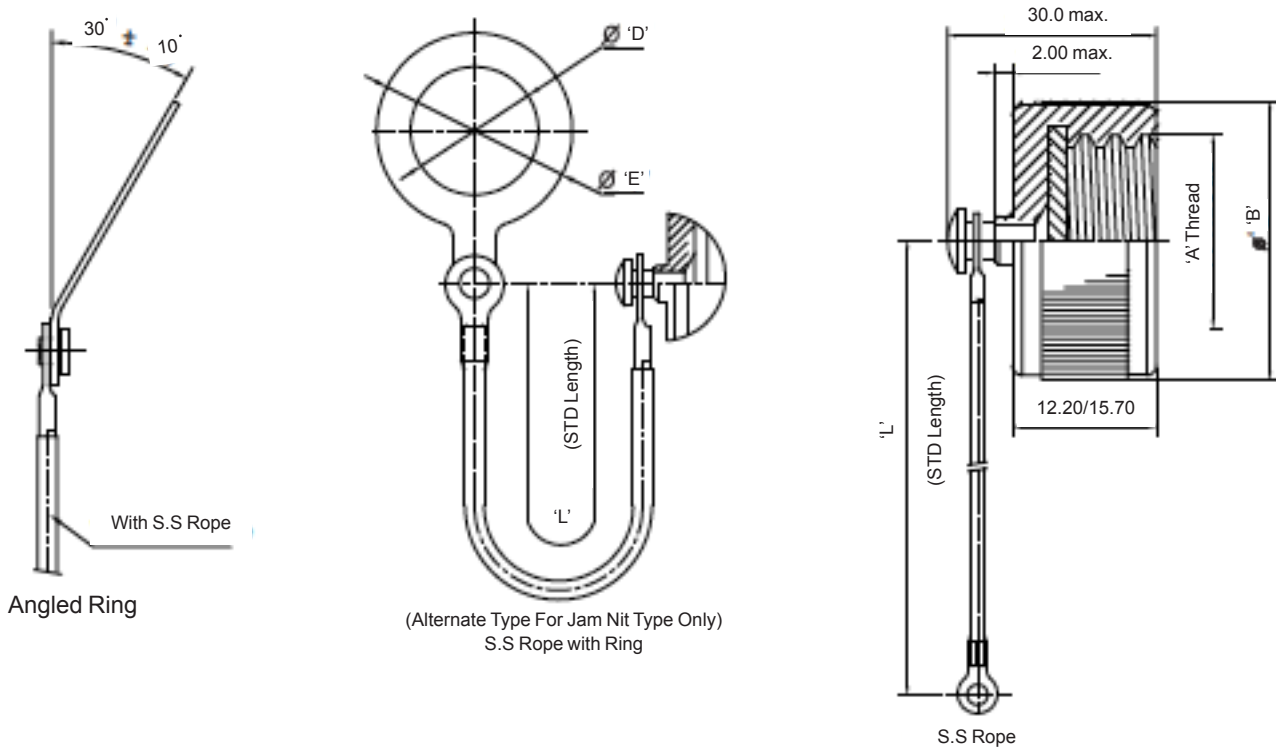


S.S Rope

| SHELL SIZE | 'A'<br>Thread<br>-2A -0.1P<br>-0.3L-TS | 'B' Max | 'C'<br>+0.0<br>-0.15 | D<br>Max | E<br>Min | 'L'<br>+ 13.0<br>-7.0 |
|------------|--|---------|----------------------|----------|----------|-----------------------|
| 09         | 0.625"                                 | 23.0    | 12.50                | 24.0     | 13.0     | 127                   |
| 11         | 0.750"                                 | 26.0    | 15.75                | 27.0     | 18.0     |                       |
| 13         | 0.875"                                 | 31.0    | 19.53                | 30.0     | 20.0     |                       |
| 15         | 1.000"                                 | 33.0    | 22.71                | 31.0     | 23.0     |                       |
| 17         | 1.1875"                                | 37.0    | 25.88                | 37.0     | 26.0     |                       |
| 19         | 1.250"                                 | 40.0    | 28.55                | 40.0     | 29.0     |                       |
| 21         | 1.375"                                 | 44.0    | 31.72                | 44.0     | 32.0     |                       |
| 23         | 1.500"                                 | 46.0    | 34.80                | 46.0     | 34.0     |                       |
| 25         | 1.625"                                 | 50.0    | 38.07                | 49.0     | 39.0     |                       |

# MIL-DTL-38999 SER III RECEPTACLE CAPS D38999/33

|  |            |   |   |
|--|------------|---|---|
| JAND38999/33                           | 15         | R                                       | W   |
| Designates<br>Receptacle Dust<br>Cover | Shell Size | Style                                   | Class   |
|  | 09         | N: W/ S.S Rope & Ring<br>R: W/ S.S Rope | W: Aluminum Alloy 500 Hrs. Cadmium Olive Drab<br>Z: Aluminum Alloy 500 Hrs. Black Zinc Nickel<br>F: Aluminum Alloy 48 Hrs. Electroless Nickel |
|  | 11         |   |   |
|  | 13         |   |   |
|  | 15         |   |   |
|  | 17         |   |   |
|  | 19         |   |   |
|  | 21         |   |   |
| 23                                     |            |   |   |
| 25                                     |            |   |   |



| SHELL SIZE | 'A'<br>Thread<br>-2A-0.1P<br>-0.3L-TS | 'B' Max | 'C'<br>+0.0<br>-0.15 | D<br>Min | 'L'<br>+ 13.0<br>- 7.0 |
|------------|---------------------------------------|---------|----------------------|----------|------------------------|
| 09         | 0.625"                                | 23.0    | 27.0                 | 17.64    | 127                    |
| 11         | 0.750"                                | 28.0    | 32.0                 | 21.97    |                        |
| 13         | 0.875"                                | 31.0    | 37.0                 | 25.12    |                        |
| 15         | 1.000"                                | 32.0    | 40.0                 | 29.92    |                        |
| 17         | 1.1875"                               | 37.0    | 44.0                 | 32.0     |                        |
| 19         | 1.250"                                | 39.0    | 46.0                 | 36.27    |                        |
| 21         | 1.375"                                | 42.0    | 49.0                 | 38.25    |                        |
| 23         | 1.500"                                | 45.0    | 54.0                 | 42.62    |                        |
| 25         | 1.625"                                | 49.0    | 56.0                 | 44.45    |                        |

**STRAIGHT, SPIN COUPLING**  
26482 Series II; 5015 (MS345X); 83723 Series III

MIL Part Number

|        |                             |                          |                             |
|--------|-----------------------------|--------------------------|-----------------------------|
| M85049 | /11                         | -10                      | W                           |
| Series | Slash Sheet                 | Dash Number<br>(Table A) | Finish<br>(Table 2, pg. 14) |
|        | 11: Straight, Spin Coupling |                          |                             |

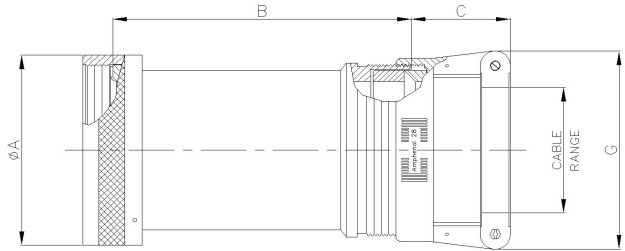


TABLE - A

| MIL PART NUMBER DESIGNATOR |         | CONNECTOR SHELL SIZE | ADIA. (MAX) |       | B (MAX) |       | C (REF) L MAX |       | G (MAX) L MAX |       | CABLE RANGE |       |          |       |
|----------------------------|---------|----------------------|-------------|-------|---------|-------|---------------|-------|---------------|-------|-------------|-------|----------|-------|
|                            |         |                      | INCH        | MM    | INCH    | MM    | INCH          | MM    | INCH          | MM    | MIN WIRE    |       | MAX WIRE |       |
| SHELL SIZE                 | DASH NO |                      |             |       |         |       |               |       |               |       | INCH        | MM    | INCH     | MM    |
| 08                         | 05      | 8                    | 0.62        | 15.67 | 2.13    | 54.10 | 1.03          | 26.09 | 0.96          | 24.31 | 0.13        | 3.18  | 0.25     | 6.35  |
|                            | 06      |                      | 0.62        | 15.67 | 3.13    | 79.50 | 1.03          | 26.09 | 0.96          | 24.31 | 0.13        | 3.18  | 0.25     | 6.35  |
|                            | 07*     |                      | 0.62        | 15.67 | 2.88    | 73.15 | 1.03          | 26.09 | 1.15          | 29.08 | 0.25        | 6.35  | 0.44     | 11.10 |
|                            | 08*     |                      | 0.62        | 15.67 | 3.88    | 98.55 | 1.03          | 26.09 | 1.15          | 29.08 | 0.25        | 6.35  | 0.44     | 11.10 |
| 10                         | 09      | 10                   | 0.73        | 18.64 | 2.13    | 54.10 | 1.03          | 26.09 | 0.96          | 24.31 | 0.13        | 3.18  | 0.31     | 7.92  |
|                            | 10      |                      | 0.73        | 18.64 | 3.13    | 79.50 | 1.03          | 26.09 | 0.96          | 24.31 | 0.13        | 3.18  | 0.31     | 7.92  |
|                            | 11*     |                      | 0.73        | 18.64 | 2.88    | 73.15 | 1.03          | 26.09 | 1.15          | 29.08 | 0.25        | 6.35  | 0.44     | 11.10 |
|                            | 12*     |                      | 0.73        | 18.64 | 3.88    | 98.55 | 1.03          | 26.09 | 1.15          | 29.08 | 0.25        | 6.35  | 0.44     | 11.10 |
|                            | 136     |                      | 0.73        | 18.64 | 2.13    | 54.10 | 1.03          | 26.09 | 1.15          | 29.08 | 0.25        | 6.35  | 0.38     | 9.53  |
| 137                        | 0.73    | 18.64                | 3.13        | 79.50 | 1.03    | 26.09 | 1.15          | 29.08 | 0.25          | 6.35  | 0.38        | 9.53  |          |       |
| 12                         | 13      | 7/12                 | 0.86        | 21.79 | 2.13    | 54.10 | 1.03          | 26.09 | 1.15          | 29.08 | 0.25        | 6.35  | 0.44     | 11.10 |
|                            | 14      |                      | 0.86        | 21.79 | 3.13    | 79.50 | 1.03          | 26.09 | 1.15          | 29.08 | 0.25        | 6.35  | 0.44     | 11.10 |
|                            | 15*     |                      | 0.86        | 21.79 | 2.88    | 73.15 | 1.03          | 26.09 | 1.33          | 33.83 | 0.35        | 8.89  | 0.63     | 15.88 |
|                            | 16*     |                      | 0.86        | 21.79 | 3.88    | 98.55 | 1.03          | 26.09 | 1.33          | 33.83 | 0.35        | 8.89  | 0.63     | 15.88 |
|                            | 111     |                      | 0.86        | 21.79 | 2.13    | 54.10 | 1.03          | 26.09 | 1.33          | 33.83 | 0.35        | 8.89  | 0.50     | 12.70 |
|                            | 114     |                      | 0.86        | 21.79 | 2.13    | 54.10 | 1.03          | 26.09 | 0.96          | 24.31 | 0.13        | 3.18  | 0.31     | 7.92  |
|                            | 115     |                      | 0.86        | 21.79 | 3.13    | 79.50 | 1.03          | 26.09 | 0.96          | 24.31 | 0.13        | 3.18  | 0.31     | 7.92  |
|                            | 138     |                      | 0.86        | 21.79 | 2.13    | 54.10 | 1.03          | 26.09 | 1.33          | 33.83 | 0.35        | 8.89  | 0.50     | 12.70 |
| 139                        | 0.86    | 21.79                | 3.13        | 79.50 | 1.03    | 26.09 | 1.33          | 33.83 | 0.35          | 8.89  | 0.50        | 12.70 |          |       |
| 14                         | 17      | 12/14                | 0.98        | 24.99 | 2.13    | 54.10 | 1.03          | 26.09 | 1.33          | 33.83 | 0.35        | 8.89  | 0.58     | 14.61 |
|                            | 18      |                      | 0.98        | 24.99 | 3.13    | 79.50 | 1.03          | 26.09 | 1.33          | 33.83 | 0.35        | 8.89  | 0.58     | 14.61 |
|                            | 19*     |                      | 0.98        | 24.99 | 2.88    | 73.15 | 1.06          | 26.90 | 1.55          | 39.40 | 0.50        | 12.70 | 0.75     | 19.05 |
|                            | 20*     |                      | 0.98        | 24.99 | 3.88    | 98.55 | 1.06          | 26.90 | 1.55          | 39.40 | 0.50        | 12.70 | 0.75     | 19.05 |
|                            | 116     |                      | 0.98        | 24.99 | 2.13    | 54.10 | 1.03          | 26.09 | 1.15          | 29.08 | 0.25        | 6.35  | 0.44     | 11.10 |
|                            | 117     |                      | 0.98        | 24.99 | 3.13    | 79.50 | 1.03          | 26.09 | 1.15          | 29.08 | 0.25        | 6.35  | 0.44     | 11.10 |
|                            | 150     |                      | 0.98        | 24.99 | 2.13    | 54.10 | 1.03          | 26.09 | 0.96          | 24.31 | 0.13        | 3.18  | 0.31     | 7.92  |
|                            | 151     |                      | 0.98        | 24.99 | 3.13    | 79.50 | 1.03          | 26.09 | 0.96          | 24.31 | 0.13        | 3.18  | 0.31     | 7.92  |
| 16                         | 21      | 19/16                | 1.11        | 28.24 | 2.13    | 54.10 | 1.06          | 26.90 | 1.55          | 39.40 | 0.50        | 12.70 | 0.70     | 17.78 |
|                            | 22      |                      | 1.11        | 28.24 | 3.13    | 79.50 | 1.06          | 26.90 | 1.55          | 39.40 | 0.50        | 12.70 | 0.70     | 17.78 |
|                            | 23*     |                      | 1.11        | 28.24 | 2.88    | 73.15 | 1.16          | 29.36 | 1.77          | 44.96 | 0.63        | 15.88 | 0.94     | 23.80 |
|                            | 24*     |                      | 1.11        | 28.24 | 3.88    | 98.55 | 1.16          | 29.36 | 1.77          | 44.96 | 0.63        | 15.88 | 0.94     | 23.80 |
|                            | 112     |                      | 1.11        | 28.24 | 2.13    | 54.10 | 1.03          | 26.09 | 1.15          | 29.08 | 0.25        | 6.35  | 0.44     | 11.10 |
|                            | 113     |                      | 1.11        | 28.24 | 3.13    | 79.50 | 1.03          | 26.09 | 1.15          | 29.08 | 0.25        | 6.35  | 0.44     | 11.10 |

Table continued

## STRAIGHT, SPIN COUPLING

26482 Series II; 5015 (MS345X); 83723 Series III

| MIL PART NUMBER DESIGNATOR |         | CONNECTOR SHELL SIZE | TABLE - A   |       |         |        |               |       |               |       |             |       |          |       |
|----------------------------|---------|----------------------|-------------|-------|---------|--------|---------------|-------|---------------|-------|-------------|-------|----------|-------|
|                            |         |                      | ADIA. (MAX) |       | B (MAX) |        | C (REF) L MAX |       | G (MAX) L MAX |       | CABLE RANGE |       |          |       |
|                            |         |                      | INCH        | MM    | INCH    | MM     | INCH          | MM    | INCH          | MM    | MIN WIRE    |       | MAX WIRE |       |
| SHELL SIZE                 | DASH NO |                      |             |       |         |        |               |       |               | INCH  | MM          | INCH  | MM       |       |
| 16, cont.                  | 118     | 19/16                | 1.11        | 28.24 | 2.13    | 54.10  | 1.03          | 26.09 | 1.33          | 33.83 | 0.35        | 8.89  | 0.63     | 15.88 |
|                            | 119     |                      | 1.11        | 28.24 | 3.13    | 79.50  | 1.03          | 26.09 | 1.33          | 33.83 | 0.35        | 8.89  | 0.63     | 15.88 |
|                            | 152     |                      | 1.11        | 28.24 | 2.13    | 54.10  | 1.03          | 26.09 | 0.96          | 24.31 | 0.13        | 3.18  | 0.31     | 7.92  |
|                            | 153     |                      | 1.11        | 28.24 | 3.13    | 79.50  | 1.03          | 26.09 | 0.96          | 24.31 | 0.13        | 3.18  | 0.31     | 7.92  |
| 18                         | 25      | 27/18                | 1.22        | 30.94 | 2.13    | 54.10  | 1.03          | 26.09 | 1.33          | 33.83 | 0.35        | 8.89  | 0.63     | 15.88 |
|                            | 26      |                      | 1.22        | 30.94 | 3.13    | 79.50  | 1.03          | 26.09 | 1.33          | 33.83 | 0.35        | 8.89  | 0.63     | 15.88 |
|                            | 27      |                      | 1.22        | 30.94 | 2.13    | 54.10  | 1.06          | 26.90 | 1.55          | 39.40 | 0.50        | 12.70 | 0.75     | 19.05 |
|                            | 28      |                      | 1.22        | 30.94 | 3.13    | 79.50  | 1.06          | 26.90 | 1.55          | 39.40 | 0.50        | 12.70 | 0.75     | 19.05 |
|                            | 29*     |                      | 1.22        | 30.94 | 2.88    | 73.15  | 1.16          | 29.36 | 1.77          | 44.96 | 0.63        | 15.88 | 0.94     | 23.80 |
|                            | 30*     |                      | 1.22        | 30.94 | 3.88    | 98.55  | 1.16          | 29.36 | 1.77          | 44.96 | 0.63        | 15.88 | 0.94     | 23.80 |
|                            | 120     |                      | 1.22        | 30.94 | 2.13    | 54.10  | 1.03          | 26.09 | 0.96          | 24.31 | 0.13        | 3.18  | 0.31     | 7.92  |
|                            | 121     |                      | 1.22        | 30.94 | 3.13    | 79.50  | 1.03          | 26.09 | 0.96          | 24.31 | 0.13        | 3.18  | 0.31     | 7.92  |
|                            | 122     |                      | 1.22        | 30.94 | 2.13    | 54.10  | 1.03          | 26.09 | 1.15          | 29.08 | 0.25        | 6.35  | 0.44     | 11.10 |
|                            | 123     |                      | 1.22        | 30.94 | 3.13    | 79.50  | 1.03          | 26.09 | 1.15          | 29.08 | 0.25        | 6.35  | 0.44     | 11.10 |
| 20                         | 31      | 37/20                | 1.35        | 34.16 | 3.13    | 79.50  | 1.03          | 26.09 | 1.33          | 33.83 | 0.35        | 8.89  | 0.63     | 15.88 |
|                            | 32      |                      | 1.35        | 34.16 | 4.13    | 104.90 | 1.03          | 26.09 | 1.33          | 33.83 | 0.35        | 8.89  | 0.63     | 15.88 |
|                            | 33      |                      | 1.35        | 34.16 | 3.13    | 79.50  | 1.06          | 26.90 | 1.55          | 39.40 | 0.50        | 12.70 | 0.75     | 19.05 |
|                            | 34      |                      | 1.35        | 34.16 | 4.13    | 104.90 | 1.06          | 26.90 | 1.55          | 39.40 | 0.50        | 12.70 | 0.75     | 19.05 |
|                            | 35*     |                      | 1.35        | 34.16 | 3.88    | 98.55  | 1.16          | 29.36 | 1.77          | 44.96 | 0.63        | 15.88 | 0.94     | 23.80 |
|                            | 36*     |                      | 1.35        | 34.16 | 4.88    | 123.95 | 1.16          | 29.36 | 1.77          | 44.96 | 0.63        | 15.88 | 0.94     | 23.80 |
|                            | 37*     |                      | 1.35        | 34.16 | 3.88    | 98.55  | 1.38          | 34.93 | 2.11          | 53.67 | 0.88        | 22.23 | 1.25     | 31.75 |
|                            | 38*     |                      | 1.35        | 34.16 | 4.88    | 123.95 | 1.38          | 34.93 | 2.11          | 53.67 | 0.88        | 22.23 | 1.25     | 31.75 |
|                            | 124     |                      | 1.35        | 34.16 | 3.13    | 79.50  | 1.03          | 26.09 | 1.15          | 29.08 | 0.25        | 6.35  | 0.44     | 11.10 |
|                            | 125     |                      | 1.35        | 34.16 | 4.13    | 104.90 | 1.03          | 26.09 | 1.15          | 29.08 | 0.25        | 6.35  | 0.44     | 11.10 |
|                            | 140     |                      | 1.35        | 34.16 | 3.13    | 79.50  | 1.16          | 29.36 | 1.77          | 44.96 | 0.63        | 15.88 | 0.90     | 22.96 |
|                            | 141     |                      | 1.35        | 34.16 | 4.13    | 104.90 | 1.16          | 29.36 | 1.77          | 44.96 | 0.63        | 15.88 | 0.90     | 22.96 |
|                            | 22      |                      | 39          | 22    | 1.47    | 37.29  | 3.13          | 79.50 | 1.03          | 26.09 | 1.33        | 33.83 | 0.35     | 8.89  |
| 40                         |         | 1.47                 | 37.29       |       | 4.13    | 104.90 | 1.03          | 26.09 | 1.33          | 33.83 | 0.35        | 8.89  | 0.63     | 15.88 |
| 41                         |         | 1.47                 | 37.29       |       | 3.13    | 79.50  | 1.06          | 26.90 | 1.55          | 39.40 | 0.50        | 12.70 | 0.75     | 19.05 |
| 42                         |         | 1.47                 | 37.29       |       | 4.13    | 104.90 | 1.06          | 26.90 | 1.55          | 39.40 | 0.50        | 12.70 | 0.75     | 19.05 |
| 43                         |         | 1.47                 | 37.29       |       | 3.13    | 79.50  | 1.16          | 29.36 | 1.77          | 44.96 | 0.63        | 15.88 | 0.94     | 23.80 |
| 44                         |         | 1.47                 | 37.29       |       | 4.13    | 104.90 | 1.16          | 29.36 | 1.77          | 44.96 | 0.63        | 15.88 | 0.94     | 23.80 |
| 45*                        |         | 1.47                 | 37.29       |       | 3.88    | 98.55  | 1.38          | 34.93 | 2.11          | 53.67 | 0.88        | 22.23 | 1.25     | 31.75 |
| 46*                        |         | 1.47                 | 37.29       |       | 4.88    | 123.95 | 1.38          | 34.93 | 2.11          | 53.67 | 0.88        | 22.23 | 1.25     | 31.75 |
| 126                        |         | 1.47                 | 37.29       |       | 3.13    | 79.50  | 1.03          | 26.09 | 0.96          | 24.31 | 0.13        | 3.18  | 0.31     | 7.92  |
| 127                        |         | 1.47                 | 37.29       |       | 4.13    | 104.90 | 1.03          | 26.09 | 0.96          | 24.31 | 0.13        | 3.18  | 0.31     | 7.92  |
| 128                        |         | 1.47                 | 37.29       |       | 3.13    | 79.50  | 1.03          | 26.09 | 1.15          | 29.08 | 0.25        | 6.35  | 0.44     | 11.10 |
| 129                        |         | 1.47                 | 37.29       |       | 4.13    | 104.90 | 1.03          | 26.09 | 1.15          | 29.08 | 0.25        | 6.35  | 0.44     | 11.10 |
| 142                        |         | 1.47                 | 37.29       |       | 3.13    | 79.50  | 1.38          | 34.93 | 2.11          | 53.67 | 0.88        | 22.23 | 1.03     | 26.14 |
| 143                        |         | 1.47                 | 37.29       |       | 4.13    | 104.90 | 1.38          | 34.93 | 2.11          | 53.67 | 0.88        | 22.23 | 1.03     | 26.14 |
| 24                         | 47      | 24                   | 1.59        | 40.46 | 3.13    | 79.50  | 1.06          | 26.90 | 1.55          | 39.40 | 0.50        | 12.70 | 0.75     | 19.05 |
|                            | 48      |                      | 1.59        | 40.46 | 4.13    | 104.90 | 1.06          | 26.90 | 1.55          | 39.40 | 0.50        | 12.70 | 0.75     | 19.05 |
|                            | 49      |                      | 1.59        | 40.46 | 3.13    | 79.50  | 1.16          | 29.36 | 1.77          | 44.96 | 0.63        | 15.88 | 0.81     | 20.62 |
|                            | 50      |                      | 1.59        | 40.46 | 4.13    | 104.90 | 1.16          | 29.36 | 1.77          | 44.96 | 0.63        | 15.88 | 0.81     | 20.62 |
|                            | 51      |                      | 1.59        | 40.46 | 3.13    | 79.50  | 1.16          | 29.36 | 1.77          | 44.96 | 0.63        | 15.88 | 0.94     | 23.80 |
|                            | 52      |                      | 1.59        | 40.46 | 4.13    | 104.90 | 1.16          | 29.36 | 1.77          | 44.96 | 0.63        | 15.88 | 0.94     | 23.80 |
|                            | 53*     |                      | 1.59        | 40.46 | 3.88    | 98.55  | 1.38          | 34.93 | 2.11          | 53.67 | 0.88        | 22.23 | 1.25     | 31.75 |
|                            | 54*     |                      | 1.59        | 40.46 | 4.88    | 123.95 | 1.38          | 34.93 | 2.11          | 53.67 | 0.88        | 22.23 | 1.25     | 31.75 |
|                            | 130     |                      | 1.59        | 40.46 | 3.13    | 79.50  | 1.03          | 26.09 | 1.33          | 33.83 | 0.35        | 8.89  | 0.63     | 15.88 |
|                            | 131     |                      | 1.59        | 40.46 | 4.13    | 104.90 | 1.03          | 26.09 | 1.33          | 33.83 | 0.35        | 8.89  | 0.63     | 15.88 |
|                            | 144     |                      | 1.59        | 40.46 | 3.13    | 79.50  | 1.38          | 34.93 | 2.11          | 53.67 | 0.88        | 22.23 | 1.14     | 29.06 |
|                            | 145     |                      | 1.59        | 40.46 | 4.13    | 104.90 | 1.38          | 34.93 | 2.11          | 53.67 | 0.88        | 22.23 | 1.14     | 29.06 |
| 28                         | 55      | 28                   | 1.97        | 50.01 | 3.13    | 79.50  | 1.06          | 26.90 | 1.55          | 39.40 | 0.50        | 12.70 | 0.75     | 19.05 |
|                            | 56      |                      | 1.97        | 50.01 | 4.13    | 104.90 | 1.06          | 26.90 | 1.55          | 39.40 | 0.50        | 12.70 | 0.75     | 19.05 |
|                            | 57      |                      | 1.97        | 50.01 | 3.13    | 79.50  | 1.16          | 29.36 | 1.77          | 44.96 | 0.63        | 15.88 | 0.94     | 23.80 |
|                            | 58      |                      | 1.97        | 50.01 | 4.13    | 104.90 | 1.16          | 29.36 | 1.77          | 44.96 | 0.63        | 15.88 | 0.94     | 23.80 |

Table continued  
 (\*)Denotes Style- 2

STRAIGHT, SPIN COUPLING

26482 Series II; 5015 (MS345X); 83723 Series III

| MIL PART NUMBER DESIGNATOR |         | CONNECTOR SHELL SIZE | A DIA. (MAX) |       | B (MAX) |        | C (REF)<br>L MAX |       | G (MAX)<br>L MAX |        | CABLE RANGE |       |          |       |
|----------------------------|---------|----------------------|--------------|-------|---------|--------|------------------|-------|------------------|--------|-------------|-------|----------|-------|
|                            |         |                      | INCH         | MM    | INCH    | MM     | INCH             | MM    | INCH             | MM     | MIN WIRE    |       | MAX WIRE |       |
| SHELL SIZE                 | DASH NO |                      |              |       |         |        |                  |       |                  |        |             |       |          |       |
| 28, cont.                  | 59      | 28                   | 1.97         | 50.01 | 3.13    | 79.50  | 1.38             | 34.93 | 2.11             | 53.67  | 0.88        | 22.23 | 1.25     | 31.75 |
|                            | 60      |                      | 1.97         | 50.01 | 4.13    | 104.90 | 1.38             | 34.93 | 2.11             | 53.67  | 0.88        | 22.23 | 1.25     | 31.75 |
|                            | 61      |                      | 1.97         | 50.01 | 3.13    | 79.50  | 1.50             | 38.10 | 23.63            | 600.20 | 1.00        | 25.40 | 1.38     | 34.93 |
|                            | 62      |                      | 1.97         | 50.01 | 4.13    | 104.90 | 1.50             | 38.10 | 2.36             | 60.02  | 1.00        | 25.40 | 1.38     | 34.93 |
| 32                         | 63      | 32                   | 2.22         | 56.36 | 3.13    | 79.50  | 1.16             | 29.36 | 1.77             | 44.96  | 0.63        | 15.88 | 0.94     | 23.80 |
|                            | 64      |                      | 2.22         | 56.36 | 4.13    | 104.90 | 1.16             | 29.36 | 1.77             | 44.96  | 0.63        | 15.88 | 0.94     | 23.80 |
|                            | 65      |                      | 2.22         | 56.36 | 3.13    | 79.50  | 1.38             | 34.93 | 2.11             | 53.67  | 0.88        | 22.23 | 1.25     | 31.75 |
|                            | 66      |                      | 2.22         | 56.36 | 4.13    | 104.90 | 1.38             | 34.93 | 2.11             | 53.67  | 0.88        | 22.23 | 1.25     | 31.75 |
|                            | 67      |                      | 2.22         | 56.36 | 3.13    | 79.50  | 1.50             | 38.10 | 2.36             | 60.02  | 1.00        | 25.40 | 1.38     | 34.93 |
|                            | 68      |                      | 2.22         | 56.36 | 4.13    | 104.90 | 1.50             | 38.10 | 2.36             | 60.02  | 1.00        | 25.40 | 1.38     | 34.93 |
|                            | 69      |                      | 2.22         | 56.36 | 3.13    | 79.50  | 1.78             | 45.24 | 2.77             | 70.36  | 1.25        | 31.75 | 1.63     | 41.28 |
|                            | 70      |                      | 2.22         | 56.36 | 4.13    | 104.90 | 1.78             | 45.24 | 2.77             | 70.36  | 1.25        | 31.75 | 1.63     | 41.28 |
| 36                         | 71      | 36                   | 2.47         | 62.71 | 4.13    | 104.90 | 1.38             | 34.93 | 2.11             | 53.67  | 0.88        | 22.23 | 1.25     | 31.75 |
|                            | 72      |                      | 2.47         | 62.71 | 5.13    | 130.30 | 1.38             | 34.93 | 2.11             | 53.67  | 0.88        | 22.23 | 1.25     | 31.75 |
|                            | 73      |                      | 2.47         | 62.71 | 4.13    | 104.90 | 1.50             | 38.10 | 2.36             | 60.02  | 1.00        | 25.40 | 1.38     | 34.93 |
|                            | 74      |                      | 2.47         | 62.71 | 5.13    | 130.30 | 1.50             | 38.10 | 2.36             | 60.02  | 1.00        | 25.40 | 1.38     | 34.93 |
|                            | 75      |                      | 2.47         | 62.71 | 4.13    | 104.90 | 1.78             | 45.24 | 2.77             | 70.36  | 1.25        | 31.75 | 1.63     | 41.28 |
|                            | 76      |                      | 2.47         | 62.71 | 5.13    | 130.30 | 1.78             | 45.24 | 2.77             | 70.36  | 1.25        | 31.75 | 1.63     | 41.28 |
|                            | 77*     |                      | 2.47         | 62.71 | 5.01    | 127.25 | 1.83             | 46.48 | 3.02             | 76.71  | 1.44        | 36.50 | 1.88     | 47.63 |
|                            | 78*     |                      | 2.47         | 62.71 | 6.01    | 152.65 | 1.83             | 46.48 | 3.02             | 76.71  | 1.44        | 36.50 | 1.88     | 47.63 |
|                            | 132     |                      | 2.47         | 62.71 | 4.13    | 104.90 | 1.06             | 26.90 | 1.55             | 39.40  | 0.50        | 12.70 | 0.75     | 19.05 |
|                            | 133     |                      | 2.47         | 62.71 | 5.13    | 130.30 | 1.06             | 26.90 | 1.55             | 39.40  | 0.50        | 12.70 | 0.75     | 19.05 |
|                            | 146     |                      | 2.47         | 62.71 | 4.13    | 104.90 | 1.83             | 46.48 | 3.02             | 76.71  | 1.44        | 36.50 | 1.84     | 46.74 |
|                            | 147     |                      | 2.47         | 62.71 | 5.13    | 130.30 | 1.83             | 46.48 | 3.02             | 76.71  | 1.44        | 36.50 | 1.84     | 46.74 |
| 40                         | 148     | 40                   | 2.47         | 62.71 | 4.13    | 104.90 | 1.16             | 29.36 | 1.77             | 44.96  | 0.63        | 15.88 | 0.94     | 23.80 |
|                            | 149     |                      | 2.47         | 62.71 | 5.13    | 130.30 | 1.16             | 29.36 | 1.77             | 44.96  | 0.63        | 15.88 | 0.94     | 23.80 |
|                            | 79      |                      | 2.72         | 69.06 | 4.13    | 104.90 | 1.38             | 34.93 | 2.11             | 53.67  | 0.88        | 22.23 | 1.25     | 31.75 |
|                            | 80      |                      | 2.72         | 69.06 | 5.13    | 130.30 | 1.38             | 34.93 | 2.11             | 53.67  | 0.88        | 22.23 | 1.25     | 31.75 |
|                            | 81      |                      | 2.72         | 69.06 | 4.13    | 104.90 | 1.50             | 38.10 | 2.36             | 60.02  | 1.00        | 25.40 | 1.38     | 34.93 |
|                            | 82      |                      | 2.72         | 69.06 | 5.13    | 130.30 | 1.50             | 38.10 | 2.36             | 60.02  | 1.00        | 25.40 | 1.38     | 34.93 |
|                            | 83      |                      | 2.72         | 69.06 | 4.13    | 104.90 | 1.78             | 45.24 | 2.77             | 70.36  | 1.25        | 31.75 | 1.63     | 41.28 |
|                            | 84      |                      | 2.72         | 69.06 | 5.13    | 130.30 | 1.78             | 45.24 | 2.77             | 70.36  | 1.25        | 31.75 | 1.63     | 41.28 |
|                            | 85      |                      | 2.72         | 69.06 | 4.13    | 104.90 | 1.83             | 46.48 | 3.02             | 76.71  | 1.44        | 36.50 | 1.88     | 47.63 |
|                            | 86      |                      | 2.72         | 69.06 | 5.13    | 130.30 | 1.83             | 46.48 | 3.02             | 76.71  | 1.44        | 36.50 | 1.88     | 47.63 |
| 44                         | 134     | 44                   | 2.72         | 69.06 | 4.13    | 104.90 | 1.06             | 26.90 | 1.55             | 39.40  | 0.50        | 12.70 | 0.75     | 19.05 |
|                            | 135     |                      | 2.72         | 69.06 | 5.13    | 130.30 | 1.06             | 26.90 | 1.55             | 39.40  | 0.50        | 12.70 | 0.75     | 19.05 |
|                            | 156     |                      | 2.72         | 69.06 | 4.13    | 104.90 | 1.16             | 29.36 | 1.77             | 44.96  | 0.63        | 15.88 | 0.94     | 23.80 |
|                            | 157     |                      | 2.72         | 69.06 | 5.13    | 130.30 | 1.16             | 29.36 | 1.77             | 44.96  | 0.63        | 15.88 | 0.94     | 23.80 |
|                            | 87      |                      | 2.97         | 75.41 | 4.13    | 104.90 | 1.38             | 34.93 | 2.11             | 53.67  | 0.88        | 22.23 | 1.25     | 31.75 |
|                            | 88      |                      | 2.97         | 75.41 | 5.13    | 130.30 | 1.38             | 34.93 | 2.11             | 53.67  | 0.88        | 22.23 | 1.25     | 31.75 |
|                            | 89      |                      | 2.97         | 75.41 | 4.13    | 104.90 | 1.50             | 38.10 | 2.36             | 60.02  | 1.00        | 25.40 | 1.38     | 34.93 |
|                            | 90      |                      | 2.97         | 75.41 | 5.13    | 130.30 | 1.50             | 38.10 | 2.36             | 60.02  | 1.00        | 25.40 | 1.38     | 34.93 |
|                            | 91      |                      | 2.97         | 75.41 | 4.13    | 104.90 | 1.78             | 45.24 | 2.77             | 70.36  | 1.25        | 31.75 | 1.63     | 41.28 |
|                            | 92      |                      | 2.97         | 75.41 | 5.13    | 130.30 | 1.78             | 45.24 | 2.77             | 70.36  | 1.25        | 31.75 | 1.63     | 41.28 |
| 48                         | 93      | 48                   | 2.97         | 75.41 | 4.13    | 104.90 | 1.83             | 46.48 | 3.02             | 76.71  | 1.44        | 36.50 | 1.88     | 47.63 |
|                            | 94      |                      | 2.97         | 75.41 | 5.13    | 130.30 | 1.83             | 46.48 | 3.02             | 76.71  | 1.44        | 36.50 | 1.88     | 47.63 |
|                            | 154     |                      | 2.97         | 75.41 | 4.13    | 104.90 | 1.16             | 29.36 | 1.77             | 44.96  | 0.63        | 15.88 | 0.94     | 23.80 |
|                            | 155     |                      | 2.97         | 75.41 | 5.13    | 130.30 | 1.16             | 29.36 | 1.77             | 44.96  | 0.63        | 15.88 | 0.94     | 23.80 |
|                            | 95      |                      | 3.22         | 81.76 | 4.13    | 104.90 | 1.38             | 34.93 | 2.11             | 53.67  | 0.88        | 22.23 | 1.25     | 31.75 |
|                            | 96      |                      | 3.22         | 81.76 | 5.13    | 130.30 | 1.38             | 34.93 | 2.11             | 53.67  | 0.88        | 22.23 | 1.25     | 31.75 |
|                            | 97      |                      | 3.22         | 81.76 | 4.13    | 104.90 | 1.50             | 38.10 | 2.36             | 60.02  | 1.00        | 25.40 | 1.38     | 34.93 |
|                            | 98      |                      | 3.22         | 81.76 | 5.13    | 130.30 | 1.50             | 38.10 | 2.36             | 60.02  | 1.00        | 25.40 | 1.38     | 34.93 |
| 48                         | 99      | 48                   | 3.22         | 81.76 | 4.13    | 104.90 | 1.78             | 45.24 | 2.77             | 70.36  | 1.25        | 31.75 | 1.63     | 41.28 |
|                            | 100     |                      | 3.22         | 81.76 | 5.13    | 130.30 | 1.78             | 45.24 | 2.77             | 70.36  | 1.25        | 31.75 | 1.63     | 41.28 |
|                            | 101     |                      | 3.22         | 81.76 | 4.13    | 104.90 | 1.83             | 46.48 | 3.02             | 76.71  | 1.44        | 36.50 | 1.88     | 47.63 |
|                            | 102     |                      | 3.22         | 81.76 | 5.13    | 130.30 | 1.83             | 46.48 | 3.02             | 76.71  | 1.44        | 36.50 | 1.88     | 47.63 |



## 90° & 45°; SPIN COUPLING

26482 Series II; 5015 (MS345X); 83723 Series III

### MIL Part Number

|        |                  |                          |                             |
|--------|------------------|--------------------------|-----------------------------|
| M85049 | /9               | -10                      | W                           |
| Series | Slash Sheet      | Dash Number<br>(Table A) | Finish<br>(Table 2, pg. 14) |
|        | 9: 90°<br>7: 45° |                          |                             |

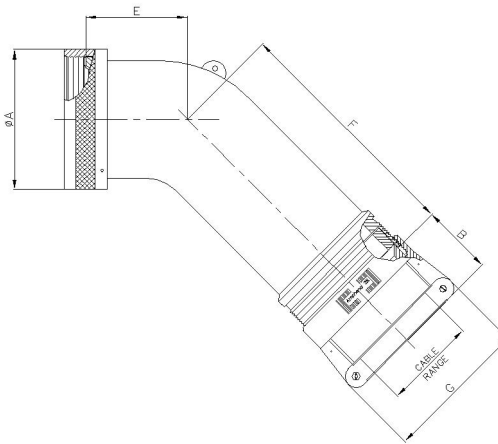


TABLE - A

| MIL PART NUMBER DESIGNATOR |      | CONNECTOR SHELL SIZE | A DIA. (MAX) |       | B (REF) |       | C (MAX) |       | D (MAX) |       | E (MAX) |       | F (MAX) |       | G (MAX) |       | CABLE RANGE |          |      |       |
|----------------------------|------|----------------------|--------------|-------|---------|-------|---------|-------|---------|-------|---------|-------|---------|-------|---------|-------|-------------|----------|------|-------|
|                            |      |                      | INCH         | MM    | INCH    | MM    | INCH    | MM    | INCH    | MM    | INCH    | MM    | INCH    | MM    | INCH    | MM    | MIN WIRE    | MAX WIRE | INCH | MM    |
| 08                         | 3    | 8                    | 0.62         | 15.67 | 1.03    | 26.09 | 0.67    | 17.02 | 1.26    | 32.00 | 0.63    | 16.00 | 1.25    | 31.75 | 0.96    | 24.31 | 0.13        | 3.18     | 0.25 | 6.35  |
|                            | 4    |                      | 0.73         | 18.64 | 1.03    | 26.09 | 0.76    | 19.30 | 1.98    | 50.29 | 0.69    | 17.53 | 1.92    | 48.77 | 0.96    | 24.31 | 0.13        | 3.18     | 0.31 | 7.92  |
| 10                         | 49*  | 10                   | 0.73         | 18.64 | 1.03    | 26.09 | 1.52    | 38.61 | 2.00    | 50.80 | 1.50    | 38.10 | 1.98    | 50.29 | 1.15    | 29.08 | 0.25        | 6.35     | 0.44 | 11.10 |
|                            | 5    |                      | 0.73         | 18.64 | 1.03    | 26.09 | 0.76    | 19.30 | 1.38    | 35.05 | 0.69    | 17.53 | 1.31    | 33.27 | 1.15    | 29.08 | 0.25        | 6.35     | 0.38 | 9.53  |
| 12                         | 6    | 7/12                 | 0.86         | 21.79 | 1.03    | 26.09 | 0.77    | 19.56 | 2.00    | 50.80 | 0.75    | 19.05 | 1.98    | 50.29 | 0.96    | 24.31 | 0.13        | 3.18     | 0.31 | 7.92  |
|                            | 71*  |                      | 0.86         | 21.79 | 1.03    | 26.09 | 1.81    | 45.97 | 2.16    | 54.86 | 1.65    | 41.91 | 2.18    | 55.37 | 1.33    | 33.83 | 0.35        | 8.89     | 0.63 | 15.88 |
|                            | 7    |                      | 0.86         | 21.79 | 1.03    | 26.09 | 0.77    | 19.56 | 2.00    | 50.80 | 0.75    | 19.05 | 1.98    | 50.29 | 1.15    | 29.08 | 0.25        | 6.35     | 0.44 | 11.10 |
| 14                         | 8    | 12/14                | 0.86         | 21.79 | 1.03    | 26.09 | 0.77    | 19.56 | 1.40    | 35.56 | 0.75    | 19.05 | 1.98    | 50.29 | 1.33    | 33.83 | 0.35        | 8.89     | 0.50 | 12.70 |
|                            | 9    |                      | 0.98         | 24.99 | 1.03    | 26.09 | 0.87    | 22.10 | 2.07    | 52.58 | 0.81    | 20.57 | 2.07    | 52.58 | 1.15    | 29.08 | 0.25        | 6.35     | 0.44 | 11.10 |
|                            | 10   |                      | 0.98         | 24.99 | 1.03    | 26.09 | 0.87    | 22.10 | 1.72    | 43.69 | 0.81    | 20.57 | 1.72    | 43.69 | 1.33    | 33.83 | 0.35        | 8.89     | 0.58 | 14.61 |
|                            | 50*  |                      | 0.98         | 24.99 | 1.06    | 26.90 | 1.89    | 48.01 | 2.33    | 59.18 | 1.84    | 46.74 | 2.37    | 60.20 | 1.55    | 39.40 | 0.50        | 12.70    | 0.75 | 19.05 |
| 16                         | 74   | 19/16                | 0.98         | 24.99 | 1.03    | 26.09 | 0.87    | 22.10 | 2.07    | 52.58 | 0.81    | 20.57 | 2.07    | 52.58 | 0.96    | 24.31 | 0.13        | 3.18     | 0.31 | 7.92  |
|                            | 11   |                      | 1.11         | 28.24 | 1.03    | 26.09 | 1.05    | 26.67 | 2.16    | 54.86 | 0.91    | 23.11 | 2.18    | 55.37 | 1.15    | 29.08 | 0.25        | 6.35     | 0.44 | 11.10 |
|                            | 12   |                      | 1.11         | 28.24 | 1.06    | 26.90 | 1.05    | 26.67 | 1.81    | 45.97 | 0.91    | 23.11 | 1.82    | 46.23 | 1.55    | 39.40 | 0.50        | 12.70    | 0.70 | 17.78 |
|                            | 40   |                      | 1.11         | 28.24 | 1.03    | 26.09 | 1.05    | 26.67 | 2.16    | 54.86 | 0.91    | 23.11 | 2.18    | 55.37 | 1.33    | 33.83 | 0.35        | 8.89     | 0.63 | 15.88 |
|                            | 51*  |                      | 1.11         | 28.24 | 1.16    | 29.36 | 2.04    | 51.82 | 2.44    | 61.98 | 1.94    | 49.28 | 2.52    | 64.01 | 1.77    | 44.96 | 0.63        | 15.88    | 0.94 | 23.80 |
| 75                         | 1.11 | 28.24                | 1.03         | 26.09 | 1.05    | 26.67 | 2.16    | 54.86 | 0.91    | 23.11 | 2.18    | 55.37 | 0.96    | 24.31 | 0.13    | 3.18  | 0.31        | 7.92     |      |       |

(\*)Denotes Style- 2  
Table continued

90° & 45°; SPIN COUPLING  
26482 Series II; 5015 (MS345X); 83723 Series III

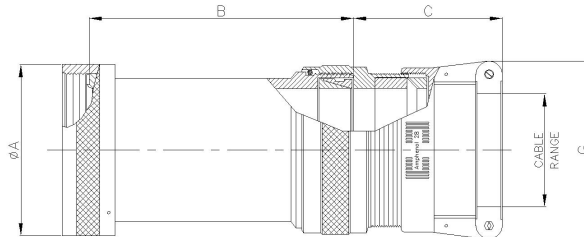
| MIL PART NUMBER<br>DESIGNATOR |      | CONNECTOR SHELL<br>SIZE | TABLE A     |       |         |       |         |       |         |       |         |       |         |       |         |       |          |       | CABLE RANGE |       |  |  |
|-------------------------------|------|-------------------------|-------------|-------|---------|-------|---------|-------|---------|-------|---------|-------|---------|-------|---------|-------|----------|-------|-------------|-------|--|--|
|                               |      |                         | ADIA. (MAX) |       | B (REF) |       | C (MAX) |       | D (MAX) |       | E (MAX) |       | F (MAX) |       | G (MAX) |       | MIN WIRE |       | MAX WIRE    |       |  |  |
|                               |      |                         | INCH        | MM    | INCH    | MM    | INCH    | MM    | INCH    | MM    | INCH    | MM    | INCH    | MM    | INCH    | MM    | INCH     | MM    | INCH        | MM    |  |  |
| 18                            | 13   | 27/18                   | 1.22        | 30.94 | 1.03    | 26.09 | 1.14    | 28.96 | 2.33    | 59.18 | 1.09    | 27.69 | 2.37    | 60.20 | 1.33    | 33.83 | 0.35     | 8.89  | 0.63        | 15.88 |  |  |
|                               | 14   |                         | 1.22        | 30.94 | 1.16    | 29.36 | 1.14    | 28.96 | 1.98    | 50.29 | 1.09    | 27.69 | 2.00    | 50.80 | 1.77    | 44.96 | 0.63     | 15.88 | 0.78        | 19.79 |  |  |
|                               | 41   |                         | 1.22        | 30.94 | 1.03    | 26.09 | 1.14    | 28.96 | 2.33    | 59.18 | 1.09    | 27.69 | 2.37    | 60.20 | 0.96    | 24.31 | 0.13     | 3.18  | 0.31        | 7.92  |  |  |
|                               | 42   |                         | 1.22        | 30.94 | 1.03    | 26.09 | 1.14    | 28.96 | 2.33    | 59.18 | 1.09    | 27.69 | 2.37    | 60.20 | 1.15    | 29.08 | 0.25     | 6.35  | 0.44        | 11.10 |  |  |
|                               | 52   |                         | 1.22        | 30.94 | 1.06    | 26.90 | 1.14    | 28.96 | 2.33    | 59.18 | 1.09    | 27.69 | 2.37    | 60.20 | 1.55    | 39.40 | 0.50     | 12.70 | 0.75        | 19.05 |  |  |
| 72*                           | 1.22 | 30.94                   | 1.16        | 29.36 | 2.05    | 52.07 | 2.44    | 61.98 | 1.94    | 49.28 | 2.52    | 64.01 | 1.77    | 44.96 | 0.63    | 15.88 | 0.94     | 23.80 |             |       |  |  |
| 20                            | 15   | 37/20                   | 1.35        | 34.16 | 1.03    | 26.09 | 1.14    | 28.96 | 2.33    | 59.18 | 1.09    | 27.69 | 2.37    | 60.20 | 1.33    | 33.83 | 0.35     | 8.89  | 0.63        | 15.88 |  |  |
|                               | 16   |                         | 1.35        | 34.16 | 1.16    | 29.36 | 1.14    | 28.96 | 1.98    | 50.29 | 1.09    | 27.69 | 2.00    | 50.80 | 1.77    | 44.96 | 0.63     | 15.88 | 0.90        | 22.96 |  |  |
|                               | 43   |                         | 1.35        | 34.16 | 1.03    | 26.09 | 1.14    | 28.96 | 2.33    | 59.18 | 1.09    | 27.69 | 2.37    | 60.20 | 1.15    | 29.08 | 0.25     | 6.35  | 0.44        | 11.10 |  |  |
|                               | 54   |                         | 1.35        | 34.16 | 1.06    | 26.90 | 1.14    | 28.96 | 2.33    | 59.18 | 1.09    | 27.69 | 2.37    | 60.20 | 1.55    | 39.40 | 0.50     | 12.70 | 0.75        | 19.05 |  |  |
|                               | 55   |                         | 1.35        | 34.16 | 1.38    | 34.93 | 2.14    | 54.36 | 2.61    | 66.29 | 2.06    | 52.32 | 2.57    | 65.28 | 2.11    | 53.67 | 0.88     | 22.23 | 1.25        | 31.75 |  |  |
| 22                            | 17   | 22                      | 1.47        | 37.29 | 1.06    | 26.90 | 1.29    | 32.77 | 2.44    | 61.98 | 1.19    | 30.23 | 2.52    | 64.01 | 1.55    | 39.40 | 0.50     | 12.70 | 0.75        | 19.05 |  |  |
|                               | 18   |                         | 1.47        | 37.29 | 1.38    | 34.93 | 1.29    | 32.77 | 2.09    | 53.09 | 1.19    | 30.23 | 2.16    | 54.86 | 2.11    | 53.67 | 0.88     | 22.23 | 1.03        | 26.14 |  |  |
|                               | 44   |                         | 1.47        | 37.29 | 1.03    | 26.09 | 1.29    | 32.77 | 2.44    | 61.98 | 1.19    | 30.23 | 2.52    | 64.01 | 0.96    | 24.31 | 0.13     | 3.18  | 0.31        | 7.92  |  |  |
|                               | 45   |                         | 1.47        | 37.29 | 1.03    | 26.09 | 1.29    | 32.77 | 2.44    | 61.98 | 1.19    | 30.23 | 2.52    | 64.01 | 1.15    | 29.08 | 0.25     | 6.35  | 0.44        | 11.10 |  |  |
|                               | 56   |                         | 1.47        | 37.29 | 1.03    | 26.09 | 1.29    | 32.77 | 2.44    | 61.98 | 1.19    | 30.23 | 2.52    | 64.01 | 1.33    | 33.83 | 0.35     | 8.89  | 0.63        | 15.88 |  |  |
|                               | 57   |                         | 1.47        | 37.29 | 1.16    | 29.36 | 1.29    | 32.77 | 2.44    | 61.98 | 1.19    | 30.23 | 2.52    | 64.01 | 1.77    | 44.96 | 0.63     | 15.88 | 0.94        | 23.80 |  |  |
| 24                            | 58*  | 24                      | 1.47        | 37.29 | 1.38    | 34.93 | 2.14    | 54.36 | 2.61    | 66.29 | 2.06    | 52.32 | 2.57    | 65.28 | 2.11    | 53.67 | 0.88     | 22.23 | 1.25        | 31.75 |  |  |
|                               | 19   |                         | 1.59        | 40.46 | 1.06    | 26.90 | 1.29    | 32.77 | 2.44    | 61.98 | 1.19    | 30.23 | 2.52    | 64.01 | 1.55    | 39.40 | 0.50     | 12.70 | 0.75        | 19.05 |  |  |
|                               | 20   |                         | 1.59        | 40.46 | 1.38    | 34.93 | 1.29    | 32.77 | 2.09    | 53.09 | 1.19    | 30.23 | 2.16    | 54.86 | 2.11    | 53.67 | 0.88     | 22.23 | 1.14        | 29.06 |  |  |
|                               | 46   |                         | 1.59        | 40.46 | 1.03    | 26.09 | 1.29    | 32.77 | 2.44    | 61.98 | 1.19    | 30.23 | 2.52    | 64.01 | 1.33    | 33.83 | 0.35     | 8.89  | 0.63        | 15.88 |  |  |
|                               | 59   |                         | 1.59        | 40.46 | 1.16    | 29.36 | 1.29    | 32.77 | 2.44    | 61.98 | 1.19    | 30.23 | 2.52    | 64.01 | 1.77    | 44.96 | 0.63     | 15.88 | 0.94        | 23.80 |  |  |
| 73*                           | 1.59 | 40.46                   | 1.38        | 34.93 | 2.15    | 54.61 | 2.61    | 66.29 | 2.06    | 52.32 | 2.57    | 65.28 | 2.12    | 53.75 | 0.88    | 22.23 | 1.25     | 31.75 |             |       |  |  |
| 28                            | 21   | 28                      | 1.97        | 50.01 | 1.16    | 29.36 | 1.39    | 35.31 | 2.61    | 66.29 | 1.31    | 33.27 | 2.57    | 65.28 | 1.77    | 44.96 | 0.63     | 15.88 | 0.94        | 23.80 |  |  |
|                               | 22   |                         | 1.97        | 50.01 | 1.50    | 38.10 | 1.39    | 35.31 | 2.26    | 57.40 | 1.31    | 33.27 | 2.22    | 56.39 | 2.36    | 60.02 | 1.00     | 25.40 | 1.38        | 34.93 |  |  |
|                               | 60   |                         | 1.97        | 50.01 | 1.06    | 26.90 | 1.39    | 35.31 | 2.61    | 66.29 | 1.31    | 33.27 | 2.57    | 65.28 | 1.55    | 39.40 | 0.50     | 12.70 | 0.75        | 19.05 |  |  |
|                               | 61   |                         | 1.97        | 50.01 | 1.38    | 34.93 | 1.39    | 35.31 | 2.61    | 66.29 | 1.31    | 33.27 | 2.57    | 65.28 | 2.11    | 53.67 | 0.88     | 22.23 | 1.25        | 31.75 |  |  |
| 32                            | 23   | 32                      | 2.22        | 56.36 | 1.16    | 29.36 | 1.74    | 44.20 | 2.86    | 72.64 | 1.38    | 35.05 | 2.67    | 67.82 | 1.77    | 44.96 | 0.63     | 15.88 | 0.94        | 23.80 |  |  |
|                               | 24   |                         | 2.22        | 56.36 | 1.38    | 34.93 | 1.74    | 44.20 | 2.86    | 72.64 | 1.38    | 35.05 | 2.67    | 67.82 | 2.11    | 53.67 | 0.88     | 22.23 | 1.25        | 31.75 |  |  |
|                               | 25   |                         | 2.22        | 56.36 | 1.78    | 45.24 | 1.74    | 44.20 | 2.51    | 63.75 | 1.38    | 35.05 | 2.32    | 58.93 | 2.77    | 70.36 | 1.25     | 31.75 | 1.63        | 41.28 |  |  |
|                               | 62   |                         | 2.22        | 56.36 | 1.50    | 38.10 | 1.74    | 44.20 | 2.86    | 72.64 | 1.38    | 35.05 | 2.67    | 67.82 | 2.36    | 60.02 | 1.00     | 25.40 | 1.38        | 34.93 |  |  |
| 36                            | 26   | 36                      | 2.47        | 62.71 | 1.16    | 29.36 | 1.94    | 49.28 | 2.83    | 71.88 | 1.41    | 35.81 | 2.76    | 70.10 | 1.77    | 44.96 | 0.63     | 15.88 | 0.94        | 23.80 |  |  |
|                               | 27   |                         | 2.47        | 62.71 | 1.50    | 38.10 | 1.94    | 49.28 | 2.83    | 71.88 | 1.41    | 35.81 | 2.76    | 70.10 | 2.36    | 60.02 | 1.00     | 25.40 | 1.38        | 34.93 |  |  |
|                               | 28   |                         | 2.47        | 62.71 | 1.83    | 46.48 | 1.94    | 49.28 | 2.48    | 62.99 | 1.41    | 35.81 | 2.41    | 61.21 | 3.02    | 76.71 | 1.44     | 36.50 | 1.84        | 46.74 |  |  |
|                               | 47   |                         | 2.47        | 62.71 | 1.06    | 26.90 | 1.94    | 49.28 | 2.83    | 71.88 | 1.41    | 35.81 | 2.76    | 70.10 | 1.55    | 39.40 | 0.50     | 12.70 | 0.75        | 19.05 |  |  |
|                               | 63   |                         | 2.47        | 62.71 | 1.38    | 34.93 | 1.94    | 49.28 | 2.83    | 71.88 | 1.41    | 35.81 | 2.76    | 70.10 | 2.11    | 53.67 | 0.88     | 22.23 | 1.25        | 31.75 |  |  |
| 40                            | 64   | 40                      | 2.47        | 62.71 | 1.78    | 45.24 | 1.94    | 49.28 | 2.83    | 71.88 | 1.41    | 35.81 | 2.76    | 70.10 | 2.77    | 70.36 | 1.25     | 31.75 | 1.63        | 41.28 |  |  |
|                               | 29   |                         | 2.72        | 69.06 | 1.16    | 29.36 | 2.69    | 68.33 | 2.83    | 71.88 | 2.16    | 54.86 | 2.76    | 70.10 | 1.77    | 44.96 | 0.63     | 15.88 | 0.94        | 23.80 |  |  |
|                               | 30   |                         | 2.72        | 69.06 | 1.50    | 38.10 | 2.69    | 68.33 | 2.83    | 71.88 | 2.16    | 54.86 | 2.76    | 70.10 | 2.36    | 60.02 | 1.00     | 25.40 | 1.38        | 34.93 |  |  |
|                               | 31   |                         | 2.72        | 69.06 | 1.83    | 46.48 | 2.69    | 68.33 | 2.48    | 62.99 | 2.16    | 54.86 | 2.41    | 61.21 | 3.02    | 76.71 | 1.44     | 36.50 | 1.88        | 47.63 |  |  |
|                               | 48   |                         | 2.72        | 69.06 | 1.06    | 26.90 | 1.94    | 49.28 | 2.83    | 71.88 | 2.16    | 54.86 | 2.76    | 70.10 | 1.55    | 39.40 | 0.50     | 12.70 | 0.75        | 19.05 |  |  |
|                               | 65   |                         | 2.72        | 69.06 | 1.38    | 34.93 | 2.69    | 68.33 | 2.83    | 71.88 | 2.16    | 54.86 | 2.76    | 70.10 | 2.11    | 53.67 | 0.88     | 22.23 | 1.25        | 31.75 |  |  |
| 44                            | 66   | 44                      | 2.72        | 69.06 | 1.78    | 45.24 | 2.69    | 68.33 | 2.83    | 71.88 | 2.16    | 54.86 | 2.76    | 70.10 | 2.77    | 70.36 | 1.25     | 31.75 | 1.63        | 41.28 |  |  |
|                               | 32   |                         | 2.97        | 75.41 | 1.16    | 29.36 | 2.69    | 68.33 | 2.83    | 71.88 | 2.16    | 54.86 | 2.76    | 70.10 | 1.77    | 44.96 | 0.63     | 15.88 | 0.94        | 23.80 |  |  |
|                               | 33   |                         | 2.97        | 75.41 | 1.50    | 38.10 | 2.69    | 68.33 | 2.83    | 71.88 | 2.16    | 54.86 | 2.76    | 70.10 | 2.36    | 60.02 | 1.00     | 25.40 | 1.38        | 34.93 |  |  |
|                               | 34   |                         | 2.97        | 75.41 | 1.83    | 46.48 | 2.69    | 68.33 | 2.48    | 62.99 | 2.16    | 54.86 | 2.41    | 61.21 | 3.02    | 76.71 | 1.44     | 36.50 | 1.88        | 47.63 |  |  |
|                               | 67   |                         | 2.97        | 75.41 | 1.38    | 34.93 | 2.69    | 68.33 | 2.83    | 71.88 | 2.16    | 54.86 | 2.76    | 70.10 | 2.11    | 53.67 | 0.88     | 22.23 | 1.25        | 31.75 |  |  |
| 48                            | 68   | 48                      | 2.97        | 75.41 | 1.78    | 45.24 | 2.69    | 68.33 | 2.83    | 71.88 | 2.16    | 54.86 | 2.76    | 70.10 | 2.77    | 70.36 | 1.25     | 31.75 | 1.63        | 41.28 |  |  |
|                               | 35   |                         | 3.22        | 81.76 | 1.16    | 29.36 | 2.69    | 68.33 | 2.83    | 71.88 | 2.16    | 54.86 | 2.76    | 70.10 | 1.77    | 44.96 | 0.63     | 15.88 | 0.94        | 23.80 |  |  |
|                               | 36   |                         | 3.22        | 81.76 | 1.50    | 38.10 | 2.69    | 68.33 | 2.83    | 71.88 | 2.16    | 54.86 | 2.76    | 70.10 | 2.36    | 60.02 | 1.00     | 25.40 | 1.38        | 34.93 |  |  |
|                               | 37   |                         | 3.22        | 81.76 | 1.83    | 46.48 | 2.69    | 68.33 | 2.48    | 62.99 | 2.16    | 54.86 | 2.41    | 61.21 | 3.02    | 76.71 | 1.44     | 36.50 | 1.88        | 47.63 |  |  |
|                               | 69   |                         | 3.22        | 81.76 | 1.38    | 34.93 | 2.69    | 68.33 | 2.83    | 71.88 | 2.16    | 54.86 | 2.76    | 70.10 | 2.11    | 53.67 | 0.88     | 22.23 | 1.25        | 31.75 |  |  |
| 70                            | 3.22 | 81.76                   | 1.78        | 45.24 | 2.69    | 68.33 | 2.83    | 71.88 | 2.16    | 54.86 | 2.76    | 70.10 | 2.77    | 70.36 | 1.25    | 31.75 | 1.63     | 41.28 |             |       |  |  |

## STRAIGHT; SPIN COUPLING

26482 Series II; 5015 (MS345X); 83723 Series III

### MIL Part Number

|        |               |                          |                             |
|--------|---------------|--------------------------|-----------------------------|
| M85049 | /10           | -10                      | W                           |
| Series | Slash Sheet   | Dash Number<br>(Table A) | Finish<br>(Table 2, pg. 14) |
|        | 10 : Straight |                          |                             |



| MIL PART NUMBER DESIGNATOR |         | CONNECTOR SHELL SIZE | A DIA. (MAX) |       | B (MAX) |       | C (REF) L MAX |       | G (MAX) L MAX |       | CABLE RANGE |       |          |       |
|----------------------------|---------|----------------------|--------------|-------|---------|-------|---------------|-------|---------------|-------|-------------|-------|----------|-------|
| SHELL SIZE                 | DASH NO |                      | INCH         | MM    | INCH    | MM    | INCH          | MM    | INCH          | MM    | MIN WIRE    |       | MAX WIRE |       |
|                            |         |                      |              |       |         |       |               |       |               |       | INCH        | MM    | INCH     | MM    |
| 08                         | 05      | 8                    | 0.62         | 15.67 | 2.13    | 54.10 | 1.54          | 39.22 | 0.96          | 24.31 | 0.13        | 3.18  | 0.25     | 6.35  |
|                            | 06      |                      | 0.62         | 15.67 | 3.13    | 79.50 | 1.54          | 39.22 | 0.96          | 24.31 | 0.13        | 3.18  | 0.25     | 6.35  |
|                            | 07*     |                      | 0.62         | 15.67 | 2.88    | 73.15 | 1.54          | 39.22 | 1.15          | 29.08 | 0.25        | 6.35  | 0.44     | 11.10 |
|                            | 08*     |                      | 0.62         | 15.67 | 3.88    | 98.55 | 1.54          | 39.22 | 1.15          | 29.08 | 0.25        | 6.35  | 0.44     | 11.10 |
| 10                         | 09      | 10                   | 0.73         | 18.64 | 2.13    | 54.10 | 1.54          | 39.22 | 0.96          | 24.31 | 0.13        | 3.18  | 0.31     | 7.92  |
|                            | 10      |                      | 0.73         | 18.64 | 3.13    | 79.50 | 1.54          | 39.22 | 0.96          | 24.31 | 0.13        | 3.18  | 0.31     | 7.92  |
|                            | 11*     |                      | 0.73         | 18.64 | 2.88    | 73.15 | 1.54          | 39.22 | 1.15          | 29.08 | 0.25        | 6.35  | 0.44     | 11.10 |
|                            | 12*     |                      | 0.73         | 18.64 | 3.88    | 98.55 | 1.54          | 39.22 | 1.15          | 29.08 | 0.25        | 6.35  | 0.44     | 11.10 |
|                            | 136     |                      | 0.73         | 18.64 | 2.13    | 54.10 | 1.54          | 39.22 | 1.15          | 29.08 | 0.25        | 6.35  | 0.38     | 9.53  |
| 12                         | 137     | 7/12                 | 0.73         | 18.64 | 3.13    | 79.50 | 1.54          | 39.22 | 1.15          | 29.08 | 0.25        | 6.35  | 0.38     | 9.53  |
|                            | 13      |                      | 0.86         | 21.79 | 2.13    | 54.10 | 1.54          | 39.22 | 1.15          | 29.08 | 0.25        | 6.35  | 0.44     | 11.10 |
|                            | 14      |                      | 0.86         | 21.79 | 3.13    | 79.50 | 1.54          | 39.22 | 1.15          | 29.08 | 0.25        | 6.35  | 0.44     | 11.10 |
|                            | 15*     |                      | 0.86         | 21.79 | 2.88    | 73.15 | 1.84          | 46.84 | 1.33          | 33.83 | 0.35        | 8.89  | 0.63     | 15.88 |
|                            | 16*     |                      | 0.86         | 21.79 | 3.88    | 98.55 | 1.84          | 46.84 | 1.33          | 33.83 | 0.35        | 8.89  | 0.63     | 15.88 |
|                            | 111     |                      | 0.86         | 21.79 | 2.13    | 54.10 | 1.84          | 46.84 | 1.33          | 33.83 | 0.35        | 8.89  | 0.50     | 12.70 |
|                            | 114     |                      | 0.86         | 21.79 | 2.13    | 54.10 | 1.54          | 39.22 | 0.96          | 24.31 | 0.13        | 3.18  | 0.31     | 7.92  |
|                            | 115     |                      | 0.86         | 21.79 | 3.13    | 79.50 | 1.54          | 39.22 | 0.96          | 24.31 | 0.13        | 3.18  | 0.31     | 7.92  |
| 14                         | 138     | 12/14                | 0.86         | 21.79 | 2.13    | 54.10 | 1.84          | 46.84 | 1.33          | 33.83 | 0.35        | 8.89  | 0.50     | 12.70 |
|                            | 139     |                      | 0.86         | 21.79 | 3.13    | 79.50 | 1.84          | 46.84 | 1.33          | 33.83 | 0.35        | 8.89  | 0.50     | 12.70 |
|                            | 17      |                      | 0.98         | 24.99 | 2.13    | 54.10 | 1.84          | 46.84 | 1.33          | 33.83 | 0.35        | 8.89  | 0.58     | 14.61 |
|                            | 18      |                      | 0.98         | 24.99 | 3.13    | 79.50 | 1.84          | 46.84 | 1.33          | 33.83 | 0.35        | 8.89  | 0.58     | 14.61 |
|                            | 19*     |                      | 0.98         | 24.99 | 2.88    | 73.15 | 1.92          | 48.67 | 1.55          | 39.40 | 0.50        | 12.70 | 0.75     | 19.05 |
|                            | 20*     |                      | 0.98         | 24.99 | 3.88    | 98.55 | 1.92          | 48.67 | 1.55          | 39.40 | 0.50        | 12.70 | 0.75     | 19.05 |
|                            | 116     |                      | 0.98         | 24.99 | 2.13    | 54.10 | 1.54          | 39.22 | 1.15          | 29.08 | 0.25        | 6.35  | 0.44     | 11.10 |
| 16                         | 117     | 19/16                | 0.98         | 24.99 | 3.13    | 79.50 | 1.54          | 39.22 | 1.15          | 29.08 | 0.25        | 6.35  | 0.44     | 11.10 |
|                            | 150     |                      | 0.98         | 24.99 | 2.13    | 54.10 | 1.54          | 39.22 | 0.96          | 24.31 | 0.13        | 3.18  | 0.31     | 7.92  |
|                            | 151     |                      | 0.98         | 24.99 | 3.13    | 79.50 | 1.54          | 39.22 | 0.96          | 24.31 | 0.13        | 3.18  | 0.31     | 7.92  |
|                            | 21      |                      | 1.11         | 28.24 | 2.13    | 54.10 | 1.92          | 48.67 | 1.55          | 39.40 | 0.50        | 12.70 | 0.70     | 17.78 |
|                            | 22      |                      | 1.11         | 28.24 | 3.13    | 79.50 | 1.92          | 48.67 | 1.55          | 39.40 | 0.50        | 12.70 | 0.70     | 17.78 |
|                            | 23*     |                      | 1.11         | 28.24 | 2.88    | 73.15 | 2.00          | 50.80 | 1.77          | 44.96 | 0.63        | 15.88 | 0.94     | 23.80 |
|                            | 24*     |                      | 1.11         | 28.24 | 3.88    | 98.55 | 2.00          | 50.80 | 1.77          | 44.96 | 0.63        | 15.88 | 0.94     | 23.80 |
|                            | 112     |                      | 1.11         | 28.24 | 2.13    | 54.10 | 1.54          | 39.22 | 1.15          | 29.08 | 0.25        | 6.35  | 0.44     | 11.10 |
| 152                        | 113     | 19/16                | 1.11         | 28.24 | 3.13    | 79.50 | 1.54          | 39.22 | 1.15          | 29.08 | 0.25        | 6.35  | 0.44     | 11.10 |
|                            | 118     |                      | 1.11         | 28.24 | 2.13    | 54.10 | 1.84          | 46.84 | 1.33          | 33.83 | 0.35        | 8.89  | 0.63     | 15.88 |
|                            | 119     |                      | 1.11         | 28.24 | 3.13    | 79.50 | 1.84          | 46.84 | 1.33          | 33.83 | 0.35        | 8.89  | 0.63     | 15.88 |
|                            | 152     |                      | 1.11         | 28.24 | 2.13    | 54.10 | 1.54          | 39.22 | 0.96          | 24.31 | 0.13        | 3.18  | 0.31     | 7.92  |
|                            | 153     |                      | 1.11         | 28.24 | 3.13    | 79.50 | 1.54          | 39.22 | 0.96          | 24.31 | 0.13        | 3.18  | 0.31     | 7.92  |

Table continued

## STRAIGHT; SPIN COUPLING

26482 Series II; 5015 (MS345X); 83723 Series III

| MIL PART NUMBER DESIGNATOR |         | CONNECTOR SHELL SIZE | TABLE - A    |       |         |        |               |       |               |        |             |       |          |       |      |
|----------------------------|---------|----------------------|--------------|-------|---------|--------|---------------|-------|---------------|--------|-------------|-------|----------|-------|------|
| SHELL SIZE                 | DASH NO |                      | A DIA. (MAX) |       | B (MAX) |        | C (REF) L MAX |       | G (MAX) L MAX |        | CABLE RANGE |       |          |       |      |
|                            |         |                      | INCH         | MM    | INCH    | MM     | INCH          | MM    | INCH          | MM     | MIN WIRE    |       | MAX WIRE |       |      |
|                            |         |                      |              |       |         |        |               |       |               |        |             | INCH  | MM       | INCH  | MM   |
| 18                         | 25      | 27/18                | 1.22         | 30.94 | 2.13    | 54.10  | 1.84          | 46.84 | 1.33          | 33.83  | 0.35        | 8.89  | 0.63     | 15.88 |      |
|                            | 26      |                      | 1.22         | 30.94 | 3.13    | 79.50  | 1.84          | 46.84 | 1.33          | 33.83  | 0.35        | 8.89  | 0.63     | 15.88 |      |
|                            | 27      |                      | 1.22         | 30.94 | 2.13    | 54.10  | 1.92          | 48.67 | 1.55          | 39.40  | 0.50        | 12.70 | 0.75     | 19.05 |      |
|                            | 28      |                      | 1.22         | 30.94 | 3.13    | 79.50  | 1.92          | 48.67 | 1.55          | 39.40  | 0.50        | 12.70 | 0.75     | 19.05 |      |
|                            | 29*     |                      | 1.22         | 30.94 | 2.88    | 73.15  | 2.00          | 50.80 | 1.77          | 44.96  | 0.63        | 15.88 | 0.94     | 23.80 |      |
|                            | 30*     |                      | 1.22         | 30.94 | 3.88    | 98.55  | 2.00          | 50.80 | 1.77          | 44.96  | 0.63        | 15.88 | 0.94     | 23.80 |      |
|                            | 120     |                      | 1.22         | 30.94 | 2.13    | 54.10  | 1.54          | 39.22 | 0.96          | 24.31  | 0.13        | 3.18  | 0.31     | 7.92  |      |
|                            | 121     |                      | 1.22         | 30.94 | 3.13    | 79.50  | 1.54          | 39.22 | 0.96          | 24.31  | 0.13        | 3.18  | 0.31     | 7.92  |      |
|                            | 122     |                      | 1.22         | 30.94 | 2.13    | 54.10  | 1.54          | 39.22 | 1.15          | 29.08  | 0.25        | 6.35  | 0.44     | 11.10 |      |
|                            | 123     |                      | 1.22         | 30.94 | 3.13    | 79.50  | 1.54          | 39.22 | 1.15          | 29.08  | 0.25        | 6.35  | 0.44     | 11.10 |      |
| 20                         | 31      | 37/20                | 1.35         | 34.16 | 3.13    | 79.50  | 1.84          | 46.84 | 1.33          | 33.83  | 0.35        | 8.89  | 0.63     | 15.88 |      |
|                            | 32      |                      | 1.35         | 34.16 | 4.13    | 104.90 | 1.84          | 46.84 | 1.33          | 33.83  | 0.35        | 8.89  | 0.63     | 15.88 |      |
|                            | 33      |                      | 1.35         | 34.16 | 3.13    | 79.50  | 1.92          | 48.67 | 1.55          | 39.40  | 0.50        | 12.70 | 0.75     | 19.05 |      |
|                            | 34      |                      | 1.35         | 34.16 | 4.13    | 104.90 | 1.92          | 48.67 | 1.55          | 39.40  | 0.50        | 12.70 | 0.75     | 19.05 |      |
|                            | 35*     |                      | 1.35         | 34.16 | 3.88    | 98.55  | 2.00          | 50.80 | 1.77          | 44.96  | 0.63        | 15.88 | 0.94     | 23.80 |      |
|                            | 36*     |                      | 1.35         | 34.16 | 4.88    | 123.95 | 2.00          | 50.80 | 1.77          | 44.96  | 0.63        | 15.88 | 0.94     | 23.80 |      |
|                            | 37*     |                      | 1.35         | 34.16 | 3.88    | 98.55  | 2.23          | 56.64 | 2.11          | 53.67  | 0.88        | 22.23 | 1.25     | 31.75 |      |
|                            | 38*     |                      | 1.35         | 34.16 | 4.88    | 123.95 | 2.23          | 56.64 | 2.11          | 53.67  | 0.88        | 22.23 | 1.25     | 31.75 |      |
|                            | 124     |                      | 1.35         | 34.16 | 3.13    | 79.50  | 1.54          | 39.22 | 1.15          | 29.08  | 0.25        | 6.35  | 0.44     | 11.10 |      |
|                            | 125     |                      | 1.35         | 34.16 | 4.13    | 104.90 | 1.54          | 39.22 | 1.15          | 29.08  | 0.25        | 6.35  | 0.44     | 11.10 |      |
|                            | 140     |                      | 1.35         | 34.16 | 3.13    | 79.50  | 2.00          | 50.80 | 1.77          | 44.96  | 0.63        | 15.88 | 0.90     | 22.96 |      |
|                            | 141     |                      | 1.35         | 34.16 | 4.13    | 104.90 | 2.00          | 50.80 | 1.77          | 44.96  | 0.63        | 15.88 | 0.90     | 22.96 |      |
|                            | 22      |                      | 39           | 22    | 1.47    | 37.29  | 3.13          | 79.50 | 1.84          | 46.84  | 1.33        | 33.83 | 0.35     | 8.89  | 0.63 |
| 40                         |         | 1.47                 | 37.29        |       | 4.13    | 104.90 | 1.84          | 46.84 | 1.33          | 33.83  | 0.35        | 8.89  | 0.63     | 15.88 |      |
| 41                         |         | 1.47                 | 37.29        |       | 3.13    | 79.50  | 1.92          | 48.67 | 1.55          | 39.40  | 0.50        | 12.70 | 0.75     | 19.05 |      |
| 42                         |         | 1.47                 | 37.29        |       | 4.13    | 104.90 | 1.92          | 48.67 | 1.55          | 39.40  | 0.50        | 12.70 | 0.75     | 19.05 |      |
| 43                         |         | 1.47                 | 37.29        |       | 3.13    | 79.50  | 2.00          | 50.80 | 1.77          | 44.96  | 0.63        | 15.88 | 0.94     | 23.80 |      |
| 44                         |         | 1.47                 | 37.29        |       | 4.13    | 104.90 | 2.00          | 50.80 | 1.77          | 44.96  | 0.63        | 15.88 | 0.94     | 23.80 |      |
| 45*                        |         | 1.47                 | 37.29        |       | 3.88    | 98.55  | 2.23          | 56.64 | 2.11          | 53.67  | 0.88        | 22.23 | 1.25     | 31.75 |      |
| 46*                        |         | 1.47                 | 37.29        |       | 4.88    | 123.95 | 2.23          | 56.64 | 2.11          | 53.67  | 0.88        | 22.23 | 1.25     | 31.75 |      |
| 126                        |         | 1.47                 | 37.29        |       | 3.13    | 79.50  | 1.54          | 39.22 | 0.96          | 24.31  | 0.13        | 3.18  | 0.31     | 7.92  |      |
| 127                        |         | 1.47                 | 37.29        |       | 4.13    | 104.90 | 1.54          | 39.22 | 0.96          | 24.31  | 0.13        | 3.18  | 0.31     | 7.92  |      |
| 128                        |         | 1.47                 | 37.29        |       | 3.13    | 79.50  | 1.54          | 39.22 | 1.15          | 29.08  | 0.25        | 6.35  | 0.44     | 11.10 |      |
| 129                        |         | 1.47                 | 37.29        |       | 4.13    | 104.90 | 1.54          | 39.22 | 1.15          | 29.08  | 0.25        | 6.35  | 0.44     | 11.10 |      |
| 142                        |         | 1.47                 | 37.29        |       | 3.13    | 79.50  | 2.23          | 56.64 | 2.11          | 53.67  | 0.88        | 22.23 | 1.03     | 26.14 |      |
| 143                        |         | 1.47                 | 37.29        |       | 4.13    | 104.90 | 2.23          | 56.64 | 2.11          | 53.67  | 0.88        | 22.23 | 1.03     | 26.14 |      |
| 24                         |         | 47                   | 24           |       | 1.59    | 40.46  | 3.13          | 79.50 | 1.92          | 48.67  | 1.55        | 39.40 | 0.50     | 12.70 | 0.75 |
|                            | 48      | 1.59                 |              | 40.46 | 4.13    | 104.90 | 1.92          | 48.67 | 1.55          | 39.40  | 0.50        | 12.70 | 0.75     | 19.05 |      |
|                            | 49      | 1.59                 |              | 40.46 | 3.13    | 79.50  | 2.00          | 50.80 | 1.77          | 44.96  | 0.63        | 15.88 | 0.81     | 20.62 |      |
|                            | 50      | 1.59                 |              | 40.46 | 4.13    | 104.90 | 2.00          | 50.80 | 1.77          | 44.96  | 0.63        | 15.88 | 0.81     | 20.62 |      |
|                            | 51      | 1.59                 |              | 40.46 | 3.13    | 79.50  | 2.00          | 50.80 | 1.77          | 44.96  | 0.63        | 15.88 | 0.94     | 23.80 |      |
|                            | 52      | 1.59                 |              | 40.46 | 4.13    | 104.90 | 2.00          | 50.80 | 1.77          | 44.96  | 0.63        | 15.88 | 0.94     | 23.80 |      |
|                            | 53*     | 1.59                 |              | 40.46 | 3.88    | 98.55  | 2.23          | 56.64 | 2.11          | 53.67  | 0.88        | 22.23 | 1.25     | 31.75 |      |
|                            | 54*     | 1.59                 |              | 40.46 | 4.88    | 123.95 | 2.23          | 56.64 | 2.11          | 53.67  | 0.88        | 22.23 | 1.25     | 31.75 |      |
|                            | 130     | 1.59                 |              | 40.46 | 3.13    | 79.50  | 1.84          | 46.84 | 1.33          | 33.83  | 0.35        | 8.89  | 0.63     | 15.88 |      |
|                            | 131     | 1.59                 |              | 40.46 | 4.13    | 104.90 | 1.84          | 46.84 | 1.33          | 33.83  | 0.35        | 8.89  | 0.63     | 15.88 |      |
|                            | 144     | 1.59                 |              | 40.46 | 3.13    | 79.50  | 2.23          | 56.64 | 2.11          | 53.67  | 0.88        | 22.23 | 1.14     | 29.06 |      |
|                            | 145     | 1.59                 |              | 40.46 | 4.13    | 104.90 | 2.23          | 56.64 | 2.11          | 53.67  | 0.88        | 22.23 | 1.14     | 29.06 |      |
|                            | 28      | 55                   |              | 28    | 1.97    | 50.01  | 3.13          | 79.50 | 1.92          | 48.67  | 1.55        | 39.40 | 0.50     | 12.70 | 0.75 |
| 56                         |         | 1.97                 | 50.01        |       | 4.13    | 104.90 | 1.92          | 48.67 | 1.55          | 39.40  | 0.50        | 12.70 | 0.75     | 19.05 |      |
| 57                         |         | 1.97                 | 50.01        |       | 3.13    | 79.50  | 2.00          | 50.80 | 1.77          | 44.96  | 0.63        | 15.88 | 0.94     | 23.80 |      |
| 58                         |         | 1.97                 | 50.01        |       | 4.13    | 104.90 | 2.00          | 50.80 | 1.77          | 44.96  | 0.63        | 15.88 | 0.94     | 23.80 |      |
| 59                         |         | 1.97                 | 50.01        |       | 3.13    | 79.50  | 2.23          | 56.64 | 2.11          | 53.67  | 0.88        | 22.23 | 1.25     | 31.75 |      |
| 60                         |         | 1.97                 | 50.01        |       | 4.13    | 104.90 | 2.23          | 56.64 | 2.11          | 53.67  | 0.88        | 22.23 | 1.25     | 31.75 |      |
| 61                         |         | 1.97                 | 50.01        |       | 3.13    | 79.50  | 2.02          | 51.41 | 23.63         | 600.20 | 1.00        | 25.40 | 1.38     | 34.93 |      |
| 62                         |         | 1.97                 | 50.01        |       | 4.13    | 104.90 | 2.02          | 51.41 | 2.36          | 60.02  | 1.00        | 25.40 | 1.38     | 34.93 |      |

(\*Denotes Style- 2  
Table continued

## STRAIGHT; SPIN COUPLING

26482 Series II; 5015 (MS345X); 83723 Series III

| MIL PART NUMBER DESIGNATOR |         | CONNECTOR SHELL SIZE | TABLE - A    |        |         |        |               |       |               |       |             |       |          |       |
|----------------------------|---------|----------------------|--------------|--------|---------|--------|---------------|-------|---------------|-------|-------------|-------|----------|-------|
| SHELL SIZE                 | DASH NO |                      | A DIA. (MAX) |        | B (MAX) |        | C (REF) L MAX |       | G (MAX) L MAX |       | CABLE RANGE |       |          |       |
|                            |         |                      | INCH         | MM     | INCH    | MM     | INCH          | MM    | INCH          | MM    | MIN WIRE    |       | MAX WIRE |       |
|                            |         |                      |              |        |         |        |               |       |               | INCH  | MM          | INCH  | MM       |       |
| 32                         | 63      | 32                   | 2.22         | 56.36  | 3.13    | 79.50  | 2.00          | 50.80 | 1.77          | 44.96 | 0.63        | 15.88 | 0.94     | 23.80 |
|                            | 64      |                      | 2.22         | 56.36  | 4.13    | 104.90 | 2.00          | 50.80 | 1.77          | 44.96 | 0.63        | 15.88 | 0.94     | 23.80 |
|                            | 65      |                      | 2.22         | 56.36  | 3.13    | 79.50  | 2.23          | 56.64 | 2.11          | 53.67 | 0.88        | 22.23 | 1.25     | 31.75 |
|                            | 66      |                      | 2.22         | 56.36  | 4.13    | 104.90 | 2.23          | 56.64 | 2.11          | 53.67 | 0.88        | 22.23 | 1.25     | 31.75 |
|                            | 67      |                      | 2.22         | 56.36  | 3.13    | 79.50  | 2.02          | 51.41 | 2.36          | 60.02 | 1.00        | 25.40 | 1.38     | 34.93 |
|                            | 68      |                      | 2.22         | 56.36  | 4.13    | 104.90 | 2.02          | 51.41 | 2.36          | 60.02 | 1.00        | 25.40 | 1.38     | 34.93 |
|                            | 69      |                      | 2.22         | 56.36  | 3.13    | 79.50  | 2.55          | 64.77 | 2.77          | 70.36 | 1.25        | 31.75 | 1.63     | 41.28 |
|                            | 70      |                      | 2.22         | 56.36  | 4.13    | 104.90 | 2.55          | 64.77 | 2.77          | 70.36 | 1.25        | 31.75 | 1.63     | 41.28 |
| 36                         | 71      | 36                   | 2.47         | 62.71  | 4.13    | 104.90 | 2.23          | 56.64 | 2.11          | 53.67 | 0.88        | 22.23 | 1.25     | 31.75 |
|                            | 72      |                      | 2.47         | 62.71  | 5.13    | 130.30 | 2.23          | 56.64 | 2.11          | 53.67 | 0.88        | 22.23 | 1.25     | 31.75 |
|                            | 73      |                      | 2.47         | 62.71  | 4.13    | 104.90 | 2.02          | 51.41 | 2.36          | 60.02 | 1.00        | 25.40 | 1.38     | 34.93 |
|                            | 74      |                      | 2.47         | 62.71  | 5.13    | 130.30 | 2.02          | 51.41 | 2.36          | 60.02 | 1.00        | 25.40 | 1.38     | 34.93 |
|                            | 75      |                      | 2.47         | 62.71  | 4.13    | 104.90 | 2.55          | 64.77 | 2.77          | 70.36 | 1.25        | 31.75 | 1.63     | 41.28 |
|                            | 76      |                      | 2.47         | 62.71  | 5.13    | 130.30 | 2.55          | 64.77 | 2.77          | 70.36 | 1.25        | 31.75 | 1.63     | 41.28 |
|                            | 77*     |                      | 2.47         | 62.71  | 5.01    | 127.25 | 2.60          | 66.04 | 3.02          | 76.71 | 1.44        | 36.50 | 1.88     | 47.63 |
|                            | 78*     |                      | 2.47         | 62.71  | 6.01    | 152.65 | 2.60          | 66.04 | 3.02          | 76.71 | 1.44        | 36.50 | 1.88     | 47.63 |
|                            | 132     |                      | 2.47         | 62.71  | 4.13    | 104.90 | 1.92          | 48.67 | 1.55          | 39.40 | 0.50        | 12.70 | 0.75     | 19.05 |
|                            | 133     |                      | 2.47         | 62.71  | 5.13    | 130.30 | 1.92          | 48.67 | 1.55          | 39.40 | 0.50        | 12.70 | 0.75     | 19.05 |
|                            | 146     |                      | 2.47         | 62.71  | 4.13    | 104.90 | 2.60          | 66.04 | 3.02          | 76.71 | 1.44        | 36.50 | 1.84     | 46.74 |
|                            | 147     |                      | 2.47         | 62.71  | 5.13    | 130.30 | 2.60          | 66.04 | 3.02          | 76.71 | 1.44        | 36.50 | 1.84     | 46.74 |
|                            | 148     |                      | 2.47         | 62.71  | 4.13    | 104.90 | 2.00          | 50.80 | 1.77          | 44.96 | 0.63        | 15.88 | 0.94     | 23.80 |
|                            | 149     |                      | 2.47         | 62.71  | 5.13    | 130.30 | 2.00          | 50.80 | 1.77          | 44.96 | 0.63        | 15.88 | 0.94     | 23.80 |
| 40                         | 79      | 40                   | 2.72         | 69.06  | 4.13    | 104.90 | 2.23          | 56.64 | 2.11          | 53.67 | 0.88        | 22.23 | 1.25     | 31.75 |
|                            | 80      |                      | 2.72         | 69.06  | 5.13    | 130.30 | 2.23          | 56.64 | 2.11          | 53.67 | 0.88        | 22.23 | 1.25     | 31.75 |
|                            | 81      |                      | 2.72         | 69.06  | 4.13    | 104.90 | 2.02          | 51.41 | 2.36          | 60.02 | 1.00        | 25.40 | 1.38     | 34.93 |
|                            | 82      |                      | 2.72         | 69.06  | 5.13    | 130.30 | 2.02          | 51.41 | 2.36          | 60.02 | 1.00        | 25.40 | 1.38     | 34.93 |
|                            | 83      |                      | 2.72         | 69.06  | 4.13    | 104.90 | 2.55          | 64.77 | 2.77          | 70.36 | 1.25        | 31.75 | 1.63     | 41.28 |
|                            | 84      |                      | 2.72         | 69.06  | 5.13    | 130.30 | 2.55          | 64.77 | 2.77          | 70.36 | 1.25        | 31.75 | 1.63     | 41.28 |
|                            | 85      |                      | 2.72         | 69.06  | 4.13    | 104.90 | 2.60          | 66.04 | 3.02          | 76.71 | 1.44        | 36.50 | 1.88     | 47.63 |
|                            | 86      |                      | 2.72         | 69.06  | 5.13    | 130.30 | 2.60          | 66.04 | 3.02          | 76.71 | 1.44        | 36.50 | 1.88     | 47.63 |
|                            | 134     |                      | 2.72         | 69.06  | 4.13    | 104.90 | 1.92          | 48.67 | 1.55          | 39.40 | 0.50        | 12.70 | 0.75     | 19.05 |
|                            | 135     |                      | 2.72         | 69.06  | 5.13    | 130.30 | 1.92          | 48.67 | 1.55          | 39.40 | 0.50        | 12.70 | 0.75     | 19.05 |
|                            | 156     |                      | 2.72         | 69.06  | 4.13    | 104.90 | 2.00          | 50.80 | 1.77          | 44.96 | 0.63        | 15.88 | 0.94     | 23.80 |
| 157                        | 2.72    | 69.06                | 5.13         | 130.30 | 2.00    | 50.80  | 1.77          | 44.96 | 0.63          | 15.88 | 0.94        | 23.80 |          |       |
| 44                         | 87      | 44                   | 2.97         | 75.41  | 4.13    | 104.90 | 2.23          | 56.64 | 2.11          | 53.67 | 0.88        | 22.23 | 1.25     | 31.75 |
|                            | 88      |                      | 2.97         | 75.41  | 5.13    | 130.30 | 2.23          | 56.64 | 2.11          | 53.67 | 0.88        | 22.23 | 1.25     | 31.75 |
|                            | 89      |                      | 2.97         | 75.41  | 4.13    | 104.90 | 2.02          | 51.41 | 2.36          | 60.02 | 1.00        | 25.40 | 1.38     | 34.93 |
|                            | 90      |                      | 2.97         | 75.41  | 5.13    | 130.30 | 2.02          | 51.41 | 2.36          | 60.02 | 1.00        | 25.40 | 1.38     | 34.93 |
|                            | 91      |                      | 2.97         | 75.41  | 4.13    | 104.90 | 2.55          | 64.77 | 2.77          | 70.36 | 1.25        | 31.75 | 1.63     | 41.28 |
|                            | 92      |                      | 2.97         | 75.41  | 5.13    | 130.30 | 2.55          | 64.77 | 2.77          | 70.36 | 1.25        | 31.75 | 1.63     | 41.28 |
|                            | 93      |                      | 2.97         | 75.41  | 4.13    | 104.90 | 2.60          | 66.04 | 3.02          | 76.71 | 1.44        | 36.50 | 1.88     | 47.63 |
|                            | 94      |                      | 2.97         | 75.41  | 5.13    | 130.30 | 2.60          | 66.04 | 3.02          | 76.71 | 1.44        | 36.50 | 1.88     | 47.63 |
|                            | 154     |                      | 2.97         | 75.41  | 4.13    | 104.90 | 2.00          | 50.80 | 1.77          | 44.96 | 0.63        | 15.88 | 0.94     | 23.80 |
|                            | 155     |                      | 2.97         | 75.41  | 5.13    | 130.30 | 2.00          | 50.80 | 1.77          | 44.96 | 0.63        | 15.88 | 0.94     | 23.80 |
| 48                         | 95      | 48                   | 3.22         | 81.76  | 4.13    | 104.90 | 2.23          | 56.64 | 2.11          | 53.67 | 0.88        | 22.23 | 1.25     | 31.75 |
|                            | 96      |                      | 3.22         | 81.76  | 5.13    | 130.30 | 2.23          | 56.64 | 2.11          | 53.67 | 0.88        | 22.23 | 1.25     | 31.75 |
|                            | 97      |                      | 3.22         | 81.76  | 4.13    | 104.90 | 2.02          | 51.41 | 2.36          | 60.02 | 1.00        | 25.40 | 1.38     | 34.93 |
|                            | 98      |                      | 3.22         | 81.76  | 5.13    | 130.30 | 2.02          | 51.41 | 2.36          | 60.02 | 1.00        | 25.40 | 1.38     | 34.93 |
|                            | 99      |                      | 3.22         | 81.76  | 4.13    | 104.90 | 2.55          | 64.77 | 2.77          | 70.36 | 1.25        | 31.75 | 1.63     | 41.28 |
|                            | 100     |                      | 3.22         | 81.76  | 5.13    | 130.30 | 2.55          | 64.77 | 2.77          | 70.36 | 1.25        | 31.75 | 1.63     | 41.28 |
|                            | 101     |                      | 3.22         | 81.76  | 4.13    | 104.90 | 2.60          | 66.04 | 3.02          | 76.71 | 1.44        | 36.50 | 1.88     | 47.63 |
|                            | 102     |                      | 3.22         | 81.76  | 5.13    | 130.30 | 2.60          | 66.04 | 3.02          | 76.71 | 1.44        | 36.50 | 1.88     | 47.63 |

## 90° & 45°; SPIN COUPLING

26482 Series II; 5015 (MS345X); 83723 Series III

MIL Part Number

|        |                  |                          |                             |
|--------|------------------|--------------------------|-----------------------------|
| M85049 | /8               | -10                      | W                           |
| Series | Slash Sheet      | Dash Number<br>(Table A) | Finish<br>(Table 2, pg. 14) |
|        | 6: 45°<br>8: 90° |                          |                             |

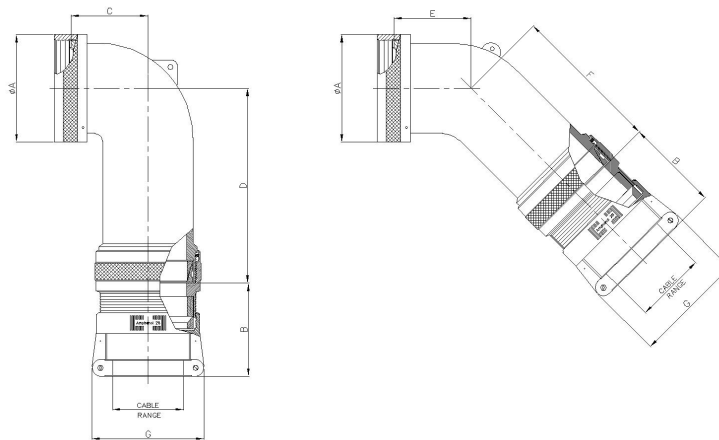


TABLE-A

| MIL PART NUMBER DESIGNATOR |         | CONNECTOR SHELL SIZE | A DIA. (MAX) |       | B (REF) |       | C (MAX) |       | D (MAX) |       | E (MAX) |       | F (MAX) |       | G (MAX) |       | CABLE RANGE |          |      |       |
|----------------------------|---------|----------------------|--------------|-------|---------|-------|---------|-------|---------|-------|---------|-------|---------|-------|---------|-------|-------------|----------|------|-------|
| SHELL SIZE                 | DASH NO |                      | INCH         | MM    | INCH    | MM    | INCH    | MM    | INCH    | MM    | INCH    | MM    | INCH    | MM    | INCH    | MM    | MIN WIRE    | MAX WIRE |      |       |
| 08                         | 3       | 8                    | 0.62         | 15.67 | 1.54    | 39.22 | 0.67    | 17.02 | 1.26    | 32.00 | 0.63    | 16.00 | 1.25    | 31.75 | 0.96    | 24.31 | 0.13        | 3.18     | 0.25 | 6.35  |
| 10                         | 4       | 10                   | 0.73         | 18.64 | 1.54    | 39.22 | 0.76    | 19.30 | 1.98    | 50.29 | 0.69    | 17.53 | 1.92    | 48.77 | 0.96    | 24.31 | 0.13        | 3.18     | 0.31 | 7.92  |
|                            | 49*     |                      | 0.73         | 18.64 | 1.54    | 39.22 | 1.52    | 38.61 | 2.00    | 50.80 | 1.50    | 38.10 | 1.98    | 50.29 | 1.15    | 29.08 | 0.25        | 6.35     | 0.44 | 11.10 |
|                            | 5       |                      | 0.73         | 18.64 | 1.54    | 39.22 | 0.76    | 19.30 | 1.38    | 35.05 | 0.69    | 17.53 | 1.31    | 33.27 | 1.15    | 29.08 | 0.25        | 6.35     | 0.38 | 9.53  |
| 12                         | 6       | 7/12                 | 0.86         | 21.79 | 1.54    | 39.22 | 0.77    | 19.56 | 2.00    | 50.80 | 0.75    | 19.05 | 1.98    | 50.29 | 0.96    | 24.31 | 0.13        | 3.18     | 0.31 | 7.92  |
|                            | 71*     |                      | 0.86         | 21.79 | 1.84    | 46.84 | 1.81    | 45.97 | 2.16    | 54.86 | 1.65    | 41.91 | 2.18    | 55.37 | 1.33    | 33.83 | 0.35        | 8.89     | 0.63 | 15.88 |
|                            | 7       |                      | 0.86         | 21.79 | 1.54    | 39.22 | 0.77    | 19.56 | 2.00    | 50.80 | 0.75    | 19.05 | 1.98    | 50.29 | 1.15    | 29.08 | 0.25        | 6.35     | 0.44 | 11.10 |
|                            | 8       |                      | 0.86         | 21.79 | 1.84    | 46.84 | 0.77    | 19.56 | 1.40    | 35.56 | 0.75    | 19.05 | 1.98    | 50.29 | 1.33    | 33.83 | 0.35        | 8.89     | 0.50 | 12.70 |
| 14                         | 9       | 12/14                | 0.98         | 24.99 | 1.54    | 39.22 | 0.87    | 22.10 | 2.07    | 52.58 | 0.81    | 20.57 | 2.07    | 52.58 | 1.15    | 29.08 | 0.25        | 6.35     | 0.44 | 11.10 |
|                            | 10      |                      | 0.98         | 24.99 | 1.84    | 46.84 | 0.87    | 22.10 | 1.72    | 43.69 | 0.81    | 20.57 | 1.72    | 43.69 | 1.33    | 33.83 | 0.35        | 8.89     | 0.58 | 14.61 |
|                            | 50*     |                      | 0.98         | 24.99 | 1.92    | 48.67 | 1.89    | 48.01 | 2.33    | 59.18 | 1.84    | 46.74 | 2.37    | 60.20 | 1.55    | 39.40 | 0.50        | 12.70    | 0.75 | 19.05 |
|                            | 74      |                      | 0.98         | 24.99 | 1.54    | 39.22 | 0.87    | 22.10 | 2.07    | 52.58 | 0.81    | 20.57 | 2.07    | 52.58 | 0.96    | 24.31 | 0.13        | 3.18     | 0.31 | 7.92  |
| 16                         | 11      | 19/16                | 1.11         | 28.24 | 1.54    | 39.22 | 1.05    | 26.67 | 2.16    | 54.86 | 0.91    | 23.11 | 2.18    | 55.37 | 1.15    | 29.08 | 0.25        | 6.35     | 0.44 | 11.10 |
|                            | 12      |                      | 1.11         | 28.24 | 1.92    | 48.67 | 1.05    | 26.67 | 1.81    | 45.97 | 0.91    | 23.11 | 1.82    | 46.23 | 1.55    | 39.40 | 0.50        | 12.70    | 0.70 | 17.78 |
|                            | 40      |                      | 1.11         | 28.24 | 1.84    | 46.84 | 1.05    | 26.67 | 2.16    | 54.86 | 0.91    | 23.11 | 2.18    | 55.37 | 1.33    | 33.83 | 0.35        | 8.89     | 0.63 | 15.88 |
|                            | 51*     |                      | 1.11         | 28.24 | 2.00    | 50.80 | 2.04    | 51.82 | 2.44    | 61.98 | 1.94    | 49.28 | 2.52    | 64.01 | 1.77    | 44.96 | 0.63        | 15.88    | 0.94 | 23.80 |
|                            | 75      |                      | 1.11         | 28.24 | 1.54    | 39.22 | 1.05    | 26.67 | 2.16    | 54.86 | 0.91    | 23.11 | 2.18    | 55.37 | 0.96    | 24.31 | 0.13        | 3.18     | 0.31 | 7.92  |

Table continued

## 90° & 45°; SPIN COUPLING

26482 Series II; 5015 (MS345X); 83723 Series III

| MIL PART NUMBER<br>DESIGNATOR |     | CONNECTOR<br>SHELL SIZE | TABLE - A    |       |         |       |         |       |         |       |         |       |         |       |         |       |          |       | CABLE RANGE |       |  |  |
|-------------------------------|-----|-------------------------|--------------|-------|---------|-------|---------|-------|---------|-------|---------|-------|---------|-------|---------|-------|----------|-------|-------------|-------|--|--|
|                               |     |                         | A DIA. (MAX) |       | B (REF) |       | C (MAX) |       | D (MAX) |       | E (MAX) |       | F (MAX) |       | G (MAX) |       | MIN WIRE |       | MAX WIRE    |       |  |  |
|                               |     |                         | INCH         | MM    | INCH    | MM    | INCH    | MM    | INCH    | MM    | INCH    | MM    | INCH    | MM    | INCH    | MM    | INCH     | MM    | INCH        | MM    |  |  |
| 18                            | 13  | 27/18                   | 1.22         | 30.94 | 1.84    | 46.84 | 1.14    | 28.96 | 2.33    | 59.18 | 1.09    | 27.69 | 2.37    | 60.20 | 1.33    | 33.83 | 0.35     | 8.89  | 0.63        | 15.88 |  |  |
|                               | 14  |                         | 1.22         | 30.94 | 2.00    | 50.80 | 1.14    | 28.96 | 1.98    | 50.29 | 1.09    | 27.69 | 2.00    | 50.80 | 1.77    | 44.96 | 0.63     | 15.88 | 0.78        | 19.79 |  |  |
|                               | 41  |                         | 1.22         | 30.94 | 1.54    | 39.22 | 1.14    | 28.96 | 2.33    | 59.18 | 1.09    | 27.69 | 2.37    | 60.20 | 0.96    | 24.31 | 0.13     | 3.18  | 0.31        | 7.92  |  |  |
|                               | 42  |                         | 1.22         | 30.94 | 1.54    | 39.22 | 1.14    | 28.96 | 2.33    | 59.18 | 1.09    | 27.69 | 2.37    | 60.20 | 1.15    | 29.08 | 0.25     | 6.35  | 0.44        | 11.10 |  |  |
|                               | 52  |                         | 1.22         | 30.94 | 1.92    | 48.67 | 1.14    | 28.96 | 2.33    | 59.18 | 1.09    | 27.69 | 2.37    | 60.20 | 1.55    | 39.40 | 0.50     | 12.70 | 0.75        | 19.05 |  |  |
|                               | 72* |                         | 1.22         | 30.94 | 2.00    | 50.80 | 2.05    | 52.07 | 2.44    | 61.98 | 1.94    | 49.28 | 2.52    | 64.01 | 1.77    | 44.96 | 0.63     | 15.88 | 0.94        | 23.80 |  |  |
| 20                            | 15  | 37/20                   | 1.35         | 34.16 | 1.84    | 46.84 | 1.14    | 28.96 | 2.33    | 59.18 | 1.09    | 27.69 | 2.37    | 60.20 | 1.33    | 33.83 | 0.35     | 8.89  | 0.63        | 15.88 |  |  |
|                               | 16  |                         | 1.35         | 34.16 | 2.00    | 50.80 | 1.14    | 28.96 | 1.98    | 50.29 | 1.09    | 27.69 | 2.00    | 50.80 | 1.77    | 44.96 | 0.63     | 15.88 | 0.90        | 22.96 |  |  |
|                               | 43  |                         | 1.35         | 34.16 | 1.54    | 39.22 | 1.14    | 28.96 | 2.33    | 59.18 | 1.09    | 27.69 | 2.37    | 60.20 | 1.15    | 29.08 | 0.25     | 6.35  | 0.44        | 11.10 |  |  |
|                               | 54  |                         | 1.35         | 34.16 | 1.92    | 48.67 | 1.14    | 28.96 | 2.33    | 59.18 | 1.09    | 27.69 | 2.37    | 60.20 | 1.55    | 39.40 | 0.50     | 12.70 | 0.75        | 19.05 |  |  |
|                               | 55  |                         | 1.35         | 34.16 | 2.23    | 56.64 | 2.14    | 54.36 | 2.61    | 66.29 | 2.06    | 52.32 | 2.57    | 65.28 | 2.11    | 53.67 | 0.88     | 22.23 | 1.25        | 31.75 |  |  |
| 22                            | 17  | 22                      | 1.47         | 37.29 | 1.92    | 48.72 | 1.29    | 32.77 | 2.44    | 61.98 | 1.19    | 30.23 | 2.52    | 64.01 | 1.55    | 39.40 | 0.50     | 12.70 | 0.75        | 19.05 |  |  |
|                               | 18  |                         | 1.47         | 37.29 | 2.23    | 56.64 | 1.29    | 32.77 | 2.09    | 53.09 | 1.19    | 30.23 | 2.16    | 54.86 | 2.11    | 53.67 | 0.88     | 22.23 | 1.03        | 26.14 |  |  |
|                               | 44  |                         | 1.47         | 37.29 | 1.54    | 39.22 | 1.29    | 32.77 | 2.44    | 61.98 | 1.19    | 30.23 | 2.52    | 64.01 | 0.96    | 24.31 | 0.13     | 3.18  | 0.31        | 7.92  |  |  |
|                               | 45  |                         | 1.47         | 37.29 | 1.54    | 39.22 | 1.29    | 32.77 | 2.44    | 61.98 | 1.19    | 30.23 | 2.52    | 64.01 | 1.15    | 29.08 | 0.25     | 6.35  | 0.44        | 11.10 |  |  |
|                               | 56  |                         | 1.47         | 37.29 | 1.84    | 46.84 | 1.29    | 32.77 | 2.44    | 61.98 | 1.19    | 30.23 | 2.52    | 64.01 | 1.33    | 33.83 | 0.35     | 8.89  | 0.63        | 15.88 |  |  |
|                               | 57  |                         | 1.47         | 37.29 | 2.00    | 50.80 | 1.29    | 32.77 | 2.44    | 61.98 | 1.19    | 30.23 | 2.52    | 64.01 | 1.77    | 44.96 | 0.63     | 15.88 | 0.94        | 23.80 |  |  |
|                               | 58* |                         | 1.47         | 37.29 | 2.23    | 56.64 | 2.14    | 54.36 | 2.61    | 66.29 | 2.06    | 52.32 | 2.57    | 65.28 | 2.11    | 53.67 | 0.88     | 22.23 | 1.25        | 31.75 |  |  |
| 24                            | 19  | 24                      | 1.59         | 40.46 | 1.92    | 48.67 | 1.29    | 32.77 | 2.44    | 61.98 | 1.19    | 30.23 | 2.52    | 64.01 | 1.55    | 39.40 | 0.50     | 12.70 | 0.75        | 19.05 |  |  |
|                               | 20  |                         | 1.59         | 40.46 | 2.23    | 56.64 | 1.29    | 32.77 | 2.09    | 53.09 | 1.19    | 30.23 | 2.16    | 54.86 | 2.11    | 53.67 | 0.88     | 22.23 | 1.14        | 29.06 |  |  |
|                               | 46  |                         | 1.59         | 40.46 | 1.84    | 46.84 | 1.29    | 32.77 | 2.44    | 61.98 | 1.19    | 30.23 | 2.52    | 64.01 | 1.33    | 33.83 | 0.35     | 8.89  | 0.63        | 15.88 |  |  |
|                               | 59  |                         | 1.59         | 40.46 | 2.00    | 50.80 | 1.29    | 32.77 | 2.44    | 61.98 | 1.19    | 30.23 | 2.52    | 64.01 | 1.77    | 44.96 | 0.63     | 15.88 | 0.94        | 23.80 |  |  |
|                               | 73* |                         | 1.59         | 40.46 | 2.23    | 56.64 | 2.15    | 54.61 | 2.61    | 66.29 | 2.06    | 52.32 | 2.57    | 65.28 | 2.12    | 53.75 | 0.88     | 22.23 | 1.25        | 31.75 |  |  |
| 28                            | 21  | 28                      | 1.97         | 50.01 | 2.00    | 50.80 | 1.39    | 35.31 | 2.61    | 66.29 | 1.31    | 33.27 | 2.57    | 65.28 | 1.77    | 44.96 | 0.63     | 15.88 | 0.94        | 23.80 |  |  |
|                               | 22  |                         | 1.97         | 50.01 | 2.02    | 51.41 | 1.39    | 35.31 | 2.26    | 57.40 | 1.31    | 33.27 | 2.22    | 56.39 | 2.36    | 60.02 | 1.00     | 25.40 | 1.38        | 34.93 |  |  |
|                               | 60  |                         | 1.97         | 50.01 | 1.92    | 48.67 | 1.39    | 35.31 | 2.61    | 66.29 | 1.31    | 33.27 | 2.57    | 65.28 | 1.55    | 39.40 | 0.50     | 12.70 | 0.75        | 19.05 |  |  |
|                               | 61  |                         | 1.97         | 50.01 | 2.23    | 56.64 | 1.39    | 35.31 | 2.61    | 66.29 | 1.31    | 33.27 | 2.57    | 65.28 | 2.11    | 53.67 | 0.88     | 22.23 | 1.25        | 31.75 |  |  |
| 32                            | 23  | 32                      | 2.22         | 56.36 | 2.00    | 50.80 | 1.74    | 44.20 | 2.86    | 72.64 | 1.38    | 35.05 | 2.67    | 67.82 | 1.77    | 44.96 | 0.63     | 15.88 | 0.94        | 23.80 |  |  |
|                               | 24  |                         | 2.22         | 56.36 | 2.23    | 56.64 | 1.74    | 44.20 | 2.86    | 72.64 | 1.38    | 35.05 | 2.67    | 67.82 | 2.11    | 53.67 | 0.88     | 22.23 | 1.25        | 31.75 |  |  |
|                               | 25  |                         | 2.22         | 56.36 | 2.55    | 64.77 | 1.74    | 44.20 | 2.51    | 63.75 | 1.38    | 35.05 | 2.32    | 58.93 | 2.77    | 70.36 | 1.25     | 31.75 | 1.63        | 41.28 |  |  |
|                               | 62  |                         | 2.22         | 56.36 | 2.02    | 51.41 | 1.74    | 44.20 | 2.86    | 72.64 | 1.38    | 35.05 | 2.67    | 67.82 | 2.36    | 60.02 | 1.00     | 25.40 | 1.38        | 34.93 |  |  |
| 36                            | 26  | 36                      | 2.47         | 62.71 | 2.00    | 50.80 | 1.94    | 49.28 | 2.83    | 71.88 | 1.41    | 35.81 | 2.76    | 70.10 | 1.77    | 44.96 | 0.63     | 15.88 | 0.94        | 23.80 |  |  |
|                               | 27  |                         | 2.47         | 62.71 | 2.02    | 51.41 | 1.94    | 49.28 | 2.83    | 71.88 | 1.41    | 35.81 | 2.76    | 70.10 | 2.36    | 60.02 | 1.00     | 25.40 | 1.38        | 34.93 |  |  |
|                               | 28  |                         | 2.47         | 62.71 | 2.60    | 66.04 | 1.94    | 49.28 | 2.48    | 62.99 | 1.41    | 35.81 | 2.41    | 61.21 | 3.02    | 76.71 | 1.44     | 36.50 | 1.84        | 46.74 |  |  |
|                               | 47  |                         | 2.47         | 62.71 | 1.92    | 48.67 | 1.94    | 49.28 | 2.83    | 71.88 | 1.41    | 35.81 | 2.76    | 70.10 | 1.55    | 39.40 | 0.50     | 12.70 | 0.75        | 19.05 |  |  |
|                               | 63  |                         | 2.47         | 62.71 | 2.23    | 56.64 | 1.94    | 49.28 | 2.83    | 71.88 | 1.41    | 35.81 | 2.76    | 70.10 | 2.11    | 53.67 | 0.88     | 22.23 | 1.25        | 31.75 |  |  |
| 40                            | 29  | 40                      | 2.72         | 69.06 | 2.00    | 50.80 | 2.69    | 68.33 | 2.83    | 71.88 | 2.16    | 54.86 | 2.76    | 70.10 | 1.77    | 44.96 | 0.63     | 15.88 | 0.94        | 23.80 |  |  |
|                               | 30  |                         | 2.72         | 69.06 | 2.02    | 51.41 | 2.69    | 68.33 | 2.83    | 71.88 | 2.16    | 54.86 | 2.76    | 70.10 | 2.36    | 60.02 | 1.00     | 25.40 | 1.38        | 34.93 |  |  |
|                               | 31  |                         | 2.72         | 69.06 | 2.60    | 66.04 | 2.69    | 68.33 | 2.48    | 62.99 | 2.16    | 54.86 | 2.41    | 61.21 | 3.02    | 76.71 | 1.44     | 36.50 | 1.88        | 47.63 |  |  |
|                               | 48  |                         | 2.72         | 69.06 | 1.92    | 48.67 | 1.94    | 49.28 | 2.83    | 71.88 | 2.16    | 54.86 | 2.76    | 70.10 | 1.55    | 39.40 | 0.50     | 12.70 | 0.75        | 19.05 |  |  |
|                               | 65  |                         | 2.72         | 69.06 | 2.23    | 56.64 | 2.69    | 68.33 | 2.83    | 71.88 | 2.16    | 54.86 | 2.76    | 70.10 | 2.11    | 53.67 | 0.88     | 22.23 | 1.25        | 31.75 |  |  |
|                               | 66  |                         | 2.72         | 69.06 | 2.55    | 64.77 | 2.69    | 68.33 | 2.83    | 71.88 | 2.16    | 54.86 | 2.76    | 70.10 | 2.77    | 70.36 | 1.25     | 31.75 | 1.63        | 41.28 |  |  |
| 44                            | 32  | 44                      | 2.97         | 75.41 | 2.00    | 50.80 | 2.69    | 68.33 | 2.83    | 71.88 | 2.16    | 54.86 | 2.76    | 70.10 | 1.77    | 44.96 | 0.63     | 15.88 | 0.94        | 23.80 |  |  |
|                               | 33  |                         | 2.97         | 75.41 | 2.02    | 51.41 | 2.69    | 68.33 | 2.83    | 71.88 | 2.16    | 54.86 | 2.76    | 70.10 | 2.36    | 60.02 | 1.00     | 25.40 | 1.38        | 34.93 |  |  |
|                               | 34  |                         | 2.97         | 75.41 | 2.60    | 66.04 | 2.69    | 68.33 | 2.48    | 62.99 | 2.16    | 54.86 | 2.41    | 61.21 | 3.02    | 76.71 | 1.44     | 36.50 | 1.88        | 47.63 |  |  |
|                               | 67  |                         | 2.97         | 75.41 | 2.23    | 56.64 | 2.69    | 68.33 | 2.83    | 71.88 | 2.16    | 54.86 | 2.76    | 70.10 | 2.11    | 53.67 | 0.88     | 22.23 | 1.25        | 31.75 |  |  |
|                               | 68  |                         | 2.97         | 75.41 | 2.55    | 64.77 | 2.69    | 68.33 | 2.83    | 71.88 | 2.16    | 54.86 | 2.76    | 70.10 | 2.77    | 70.36 | 1.25     | 31.75 | 1.63        | 41.28 |  |  |
| 48                            | 35  | 48                      | 3.22         | 81.76 | 2.00    | 50.80 | 2.69    | 68.33 | 2.83    | 71.88 | 2.16    | 54.86 | 2.76    | 70.10 | 1.77    | 44.96 | 0.63     | 15.88 | 0.94        | 23.80 |  |  |
|                               | 36  |                         | 3.22         | 81.76 | 2.02    | 51.41 | 2.69    | 68.33 | 2.83    | 71.88 | 2.16    | 54.86 | 2.76    | 70.10 | 2.36    | 60.02 | 1.00     | 25.40 | 1.38        | 34.93 |  |  |
|                               | 37  |                         | 3.22         | 81.76 | 2.60    | 66.04 | 2.69    | 68.33 | 2.48    | 62.99 | 2.16    | 54.86 | 2.41    | 61.21 | 3.02    | 76.71 | 1.44     | 36.50 | 1.88        | 47.63 |  |  |
|                               | 69  |                         | 3.22         | 81.76 | 2.23    | 56.64 | 2.69    | 68.33 | 2.83    | 71.88 | 2.16    | 54.86 | 2.76    | 70.10 | 2.11    | 53.67 | 0.88     | 22.23 | 1.25        | 31.75 |  |  |
|                               | 70  |                         | 3.22         | 81.76 | 2.55    | 64.77 | 2.69    | 68.33 | 2.83    | 71.88 | 2.16    | 54.86 | 2.76    | 70.10 | 2.77    | 70.36 | 1.25     | 31.75 | 1.63        | 41.28 |  |  |

## STRAIGHT; DIRECT COUPLING

38999 Series I, II

MIL Part Number

|        |              |                         |                             |                         |   |
|--------|--------------|-------------------------|-----------------------------|-------------------------|---|
| M85049 | /17          | 10                      | W                           | 03                      | A   |
| Series | Slash Sheet  | Shell Size<br>(Table A) | Finish<br>(Table 2, pg. 14) | Clamp Size<br>(Table A) | Length<br>(Table A)<br><br>Omit for "STD" |
|        | 17: Straight |                         |                             |                         |   |

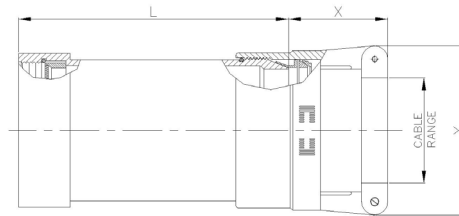


TABLE - A

| MIL PART NUMBER DESIGNATOR |            | LENGTH | CONNECTOR SHELL SIZE SE - II / I | CABLE RANGE |       |      |       | L (MAX) |       | X (MAX) |       | Y (MAX) |       |
|----------------------------|------------|--------|----------------------------------|-------------|-------|------|-------|---------|-------|---------|-------|---------|-------|
| ACCESSORY SHELL SIZE       | CLAMP SIZE |        |                                  | MIN         |       | MAX  |       | INCH    | MM    | INCH    | MM    | INCH    | MM    |
|                            |            |        |                                  | INCH        | MM    | INCH | MM    |         |       |         |       |         |       |
| 08                         | 01         | STD.   | 8 / 9                            | 0.06        | 1.57  | 0.13 | 3.18  | 1.53    | 38.86 | 1.25    | 31.75 | 0.78    | 19.81 |
|                            |            | A      |                                  |             |       |      |       | 2.53    | 64.26 |         |       |         |       |
|                            | 02         | STD.   |                                  | 0.13        | 3.18  | 0.25 | 6.35  | 1.53    | 38.86 | 1.25    | 31.75 | 0.97    | 24.64 |
|                            |            | A      |                                  | 2.53        | 64.26 |      |       |         |       |         |       |         |       |
| 10                         | 01         | STD.   | 10 / 11                          | 0.06        | 1.57  | 0.13 | 3.18  | 1.53    | 38.86 | 1.25    | 31.75 | 0.78    | 19.81 |
|                            |            | A      |                                  |             |       |      |       | 2.53    | 64.26 |         |       |         |       |
|                            | 02         | STD.   |                                  | 0.13        | 3.18  | 0.25 | 6.35  | 1.53    | 38.86 | 1.25    | 31.75 | 0.97    | 24.64 |
|                            |            | A      |                                  | 2.53        | 64.26 |      |       |         |       |         |       |         |       |
|                            | 03         | STD.   |                                  | 0.25        | 6.35  | 0.38 | 9.53  | 1.53    | 38.86 | 1.25    | 31.75 | 1.06    | 26.92 |
|                            |            | A      |                                  | 2.53        | 64.26 |      |       |         |       |         |       |         |       |
| 12                         | 02         | STD.   | 12 / 13                          | 0.13        | 3.18  | 0.25 | 6.35  | 1.53    | 38.86 | 1.25    | 31.75 | 0.97    | 24.64 |
|                            |            | A      |                                  |             |       |      |       | 2.53    | 64.26 |         |       |         |       |
|                            | 03         | STD.   |                                  | 0.25        | 6.35  | 0.38 | 9.53  | 1.53    | 38.86 | 1.25    | 31.75 | 1.06    | 26.92 |
|                            |            | A      |                                  | 2.53        | 64.26 |      |       |         |       |         |       |         |       |
|                            | 04         | STD.   |                                  | 0.38        | 9.53  | 0.50 | 12.70 | 1.53    | 38.86 | 1.25    | 31.75 | 1.16    | 29.46 |
|                            |            | A      |                                  | 2.53        | 64.26 |      |       |         |       |         |       |         |       |
| 14                         | 02         | STD.   | 14 / 15                          | 0.13        | 3.18  | 0.25 | 6.35  | 1.53    | 38.86 | 1.25    | 31.75 | 0.97    | 24.64 |
|                            |            | A      |                                  |             |       |      |       | 2.53    | 64.26 |         |       |         |       |
|                            |            | B      |                                  |             |       |      |       | 3.53    | 89.66 |         |       |         |       |
|                            | 03         | STD.   |                                  | 0.25        | 6.35  | 0.38 | 9.53  | 1.53    | 38.86 | 1.25    | 31.75 | 1.06    | 26.92 |
|                            |            | A      |                                  | 2.53        | 64.26 |      |       |         |       |         |       |         |       |
|                            |            | B      |                                  | 3.53        | 89.66 |      |       |         |       |         |       |         |       |
|                            | 04         | STD.   |                                  | 0.38        | 9.53  | 0.50 | 12.70 | 1.53    | 38.86 | 1.25    | 31.75 | 1.16    | 29.46 |
|                            |            | A      |                                  | 2.53        | 64.26 |      |       |         |       |         |       |         |       |
|                            |            | B      |                                  | 3.53        | 89.66 |      |       |         |       |         |       |         |       |
|                            | 05         | STD.   |                                  | 0.50        | 12.70 | 0.63 | 15.88 | 1.53    | 38.86 | 1.31    | 33.27 | 1.25    | 31.75 |
|                            |            | A      |                                  | 2.53        | 64.26 |      |       |         |       |         |       |         |       |
|                            |            | B      |                                  | 3.53        | 89.66 |      |       |         |       |         |       |         |       |
| 16                         | 02         | STD.   | 16 / 17                          | 0.13        | 3.18  | 0.25 | 6.35  | 1.53    | 38.86 | 1.25    | 31.75 | 0.97    | 24.64 |
|                            |            | A      |                                  |             |       |      |       | 2.53    | 64.26 |         |       |         |       |
|                            |            | B      |                                  |             |       |      |       | 3.53    | 89.66 |         |       |         |       |
|                            | 03         | STD.   |                                  | 0.25        | 6.35  | 0.38 | 9.53  | 1.53    | 38.86 | 1.25    | 31.75 | 1.06    | 26.92 |
|                            |            | A      |                                  | 2.53        | 64.26 |      |       |         |       |         |       |         |       |
|                            |            | B      |                                  | 3.53        | 89.66 |      |       |         |       |         |       |         |       |
|                            | 04         | STD.   |                                  | 0.38        | 9.53  | 0.50 | 12.70 | 1.53    | 38.86 | 1.25    | 31.75 | 1.16    | 29.46 |
|                            |            | A      |                                  | 2.53        | 64.26 |      |       |         |       |         |       |         |       |
|                            |            | B      |                                  | 3.53        | 89.66 |      |       |         |       |         |       |         |       |
|                            | 05         | STD.   |                                  | 0.50        | 12.70 | 0.63 | 15.88 | 1.53    | 38.86 | 1.31    | 33.27 | 1.25    | 31.75 |
|                            |            | A      |                                  | 2.53        | 64.26 |      |       |         |       |         |       |         |       |
|                            |            | B      |                                  | 3.53        | 89.66 |      |       |         |       |         |       |         |       |
| 06                         | STD.       | 0.63   | 15.88                            | 0.75        | 19.05 | 1.53 | 38.86 | 1.38    | 35.05 | 1.38    | 35.05 |         |       |
|                            | A          | 2.53   | 64.26                            |             |       |      |       |         |       |         |       |         |       |
|                            | B          | 3.53   | 89.66                            |             |       |      |       |         |       |         |       |         |       |

Table continued



## STRAIGHT; DIRECT COUPLING 38999 Series I, II

| MIL PART NUMBER DESIGNATOR |            | CONNECTOR SHELL SIZE SE - II / I | LENGTH | CABLE RANGE |       |      |        | L (MAX) |        | X (MAX) |       | Y (MAX) |       |
|----------------------------|------------|----------------------------------|--------|-------------|-------|------|--------|---------|--------|---------|-------|---------|-------|
| ACCESSORY SHELL SIZE       | CLAMP SIZE |                                  |        | MIN         |       | MAX  |        | INCH    | MM     | INCH    | MM    | INCH    | MM    |
|                            |            |                                  |        | INCH        | MM    | INCH | MM     |         |        |         |       |         |       |
| 18                         | 03         | 18 / 19                          | STD.   | 0.25        | 6.35  | 0.38 | 9.53   | 1.53    | 38.86  | 1.25    | 31.75 | 1.06    | 26.92 |
|                            |            |                                  | A      |             |       |      |        | 2.53    | 64.26  |         |       |         |       |
|                            |            |                                  | B      |             |       |      |        | 3.53    | 89.66  |         |       |         |       |
|                            | 04         |                                  | STD.   | 0.38        | 9.53  | 0.50 | 12.70  | 1.53    | 38.86  | 1.25    | 31.75 | 1.16    | 29.46 |
|                            |            |                                  | A      |             |       |      |        | 2.53    | 64.26  |         |       |         |       |
|                            |            |                                  | B      |             |       |      |        | 3.53    | 89.66  |         |       |         |       |
|                            | 05         |                                  | STD.   | 0.50        | 12.70 | 0.63 | 15.88  | 1.53    | 38.86  | 1.31    | 33.27 | 1.25    | 31.75 |
|                            |            |                                  | A      |             |       |      |        | 2.53    | 64.26  |         |       |         |       |
|                            |            |                                  | B      |             |       |      |        | 3.53    | 89.66  |         |       |         |       |
|                            | 06         |                                  | STD.   | 0.63        | 15.88 | 0.75 | 19.05  | 1.53    | 38.86  | 1.38    | 35.05 | 1.38    | 35.05 |
|                            |            |                                  | A      |             |       |      |        | 2.53    | 64.26  |         |       |         |       |
|                            |            |                                  | B      |             |       |      |        | 3.53    | 89.66  |         |       |         |       |
| 07                         | STD.       | 0.75                             | 19.05  | 0.88        | 22.23 | 1.53 | 38.86  | 1.50    | 38.10  | 1.50    | 38.10 |         |       |
|                            | A          |                                  |        |             |       | 2.53 | 64.26  |         |        |         |       |         |       |
|                            | B          |                                  |        |             |       | 3.53 | 89.66  |         |        |         |       |         |       |
| 20                         | 03         | 20 / 21                          | STD.   | 0.25        | 6.35  | 0.38 | 9.53   | 1.53    | 38.86  | 1.25    | 31.75 | 1.06    | 26.92 |
|                            |            |                                  | A      |             |       |      |        | 2.53    | 64.26  |         |       |         |       |
|                            |            |                                  | B      |             |       |      |        | 3.53    | 89.66  |         |       |         |       |
|                            |            |                                  | C      |             |       |      |        | 4.53    | 115.06 |         |       |         |       |
|                            | 04         |                                  | STD.   | 0.38        | 9.53  | 0.50 | 12.70  | 1.53    | 38.86  | 1.25    | 31.75 | 1.16    | 29.46 |
|                            |            |                                  | A      |             |       |      |        | 2.53    | 64.26  |         |       |         |       |
|                            |            |                                  | B      |             |       |      |        | 3.53    | 89.66  |         |       |         |       |
|                            |            |                                  | C      |             |       |      |        | 4.53    | 115.06 |         |       |         |       |
|                            | 05         |                                  | STD.   | 0.50        | 12.70 | 0.63 | 15.88  | 1.53    | 38.86  | 1.31    | 33.27 | 1.25    | 31.75 |
|                            |            |                                  | A      |             |       |      |        | 2.53    | 64.26  |         |       |         |       |
|                            |            |                                  | B      |             |       |      |        | 3.53    | 89.66  |         |       |         |       |
|                            |            |                                  | C      |             |       |      |        | 4.53    | 115.06 |         |       |         |       |
|                            | 06         |                                  | STD.   | 0.63        | 15.88 | 0.75 | 19.05  | 1.53    | 38.86  | 1.38    | 35.05 | 1.38    | 35.05 |
|                            |            |                                  | A      |             |       |      |        | 2.53    | 64.26  |         |       |         |       |
|                            |            |                                  | B      |             |       |      |        | 3.53    | 89.66  |         |       |         |       |
|                            |            |                                  | C      |             |       |      |        | 4.53    | 115.06 |         |       |         |       |
|                            | 07         |                                  | STD.   | 0.75        | 19.05 | 0.88 | 22.23  | 1.53    | 38.86  | 1.50    | 38.10 | 1.50    | 38.10 |
|                            |            |                                  | A      |             |       |      |        | 2.53    | 64.26  |         |       |         |       |
| B                          |            | 3.53                             | 89.66  |             |       |      |        |         |        |         |       |         |       |
| C                          |            | 4.53                             | 115.06 |             |       |      |        |         |        |         |       |         |       |
| 08                         | STD.       | 0.88                             | 22.23  | 1.00        | 25.40 | 1.53 | 38.86  | 1.63    | 41.40  | 1.63    | 41.40 |         |       |
|                            | A          |                                  |        |             |       | 2.53 | 64.26  |         |        |         |       |         |       |
|                            | B          |                                  |        |             |       | 3.53 | 89.66  |         |        |         |       |         |       |
|                            | C          |                                  |        |             |       | 4.53 | 115.06 |         |        |         |       |         |       |
| 22                         | 03         | 22 / 23                          | STD.   | 0.25        | 6.35  | 0.38 | 9.53   | 1.53    | 38.86  | 1.25    | 31.75 | 1.06    | 26.92 |
|                            |            |                                  | A      |             |       |      |        | 2.53    | 64.26  |         |       |         |       |
|                            |            |                                  | B      |             |       |      |        | 3.53    | 89.66  |         |       |         |       |
|                            |            |                                  | C      |             |       |      |        | 4.53    | 115.06 |         |       |         |       |
|                            | 04         |                                  | STD.   | 0.38        | 9.53  | 0.50 | 12.70  | 1.53    | 38.86  | 1.25    | 31.75 | 1.16    | 29.46 |
|                            |            |                                  | A      |             |       |      |        | 2.53    | 64.26  |         |       |         |       |
|                            |            |                                  | B      |             |       |      |        | 3.53    | 89.66  |         |       |         |       |
|                            |            |                                  | C      |             |       |      |        | 4.53    | 115.06 |         |       |         |       |
|                            | 05         |                                  | STD.   | 0.50        | 12.70 | 0.63 | 15.88  | 1.53    | 38.86  | 1.31    | 33.27 | 1.25    | 31.75 |
|                            |            |                                  | A      |             |       |      |        | 2.53    | 64.26  |         |       |         |       |
|                            |            |                                  | B      |             |       |      |        | 3.53    | 89.66  |         |       |         |       |
|                            |            |                                  | C      |             |       |      |        | 4.53    | 115.06 |         |       |         |       |
| 06                         | STD.       | 0.63                             | 15.88  | 0.75        | 19.05 | 1.53 | 38.86  | 1.38    | 35.05  | 1.38    | 35.05 |         |       |
|                            | A          |                                  |        |             |       | 2.53 | 64.26  |         |        |         |       |         |       |
|                            | B          |                                  |        |             |       | 3.53 | 89.66  |         |        |         |       |         |       |
|                            | C          |                                  |        |             |       | 4.53 | 115.06 |         |        |         |       |         |       |

Table continued

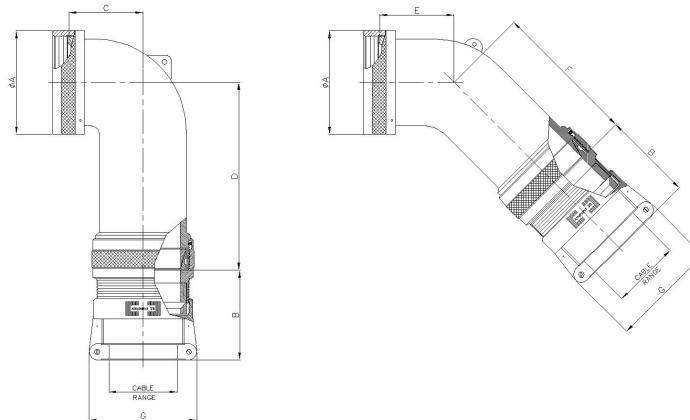
STRAIGHT; DIRECT COUPLING  
38999 Series I, II

| MIL PART NUMBER DESIGNATOR |            | CONNECTOR SHELL SIZE SE - II / I | LENGTH | TABLE - A, cont. |       |      |       | L (MAX) |       | X (MAX) |       | Y (MAX) |       |      |       |
|----------------------------|------------|----------------------------------|--------|------------------|-------|------|-------|---------|-------|---------|-------|---------|-------|------|-------|
| ACCESSORY SHELL SIZE       | CLAMP SIZE |                                  |        | CABLE RANGE      |       |      |       | INCH    | MM    | INCH    | MM    | INCH    | MM    |      |       |
|                            |            |                                  |        | MIN              | MAX   | MIN  | MAX   |         |       |         |       |         |       |      |       |
|                            |            |                                  | INCH   | MM               | INCH  | MM   |       |         |       |         |       |         |       |      |       |
| 22, cont.                  | 07         | 22 / 23                          | STD.   | 0.75             | 19.05 | 0.88 | 22.23 | 1.53    | 38.86 | 1.50    | 38.10 | 1.50    | 38.10 |      |       |
|                            |            |                                  | A      |                  |       |      |       | 2.53    | 64.26 |         |       |         |       |      |       |
|                            |            |                                  | B      |                  |       |      |       | 3.53    | 89.66 |         |       |         |       |      |       |
|                            | C          |                                  | 4.53   | 115.06           |       |      |       |         |       |         |       |         |       |      |       |
|                            | 08         |                                  | STD.   | 0.88             | 22.23 | 1.00 | 25.40 | 1.53    | 38.86 | 1.63    | 41.40 | 1.63    | 41.40 | 1.63 | 41.40 |
|                            |            |                                  | A      |                  |       |      |       | 2.53    | 64.26 |         |       |         |       |      |       |
|                            |            |                                  | B      |                  |       |      |       | 3.53    | 89.66 |         |       |         |       |      |       |
|                            | C          |                                  | 4.53   | 115.06           |       |      |       |         |       |         |       |         |       |      |       |
|                            | 09         |                                  | STD.   | 1.00             | 25.40 | 1.13 | 28.58 | 1.53    | 38.86 | 1.63    | 41.40 | 1.75    | 44.45 | 1.75 | 44.45 |
| A                          |            | 2.53                             | 64.26  |                  |       |      |       |         |       |         |       |         |       |      |       |
| B                          |            | 3.53                             | 89.66  |                  |       |      |       |         |       |         |       |         |       |      |       |
| C                          | 4.53       | 115.06                           |        |                  |       |      |       |         |       |         |       |         |       |      |       |
| 24                         | 04         | 24 / 25                          | STD.   | 0.38             | 9.53  | 0.50 | 12.70 | 1.53    | 38.86 | 1.25    | 31.75 | 1.16    | 29.46 |      |       |
|                            |            |                                  | A      |                  |       |      |       | 2.53    | 64.26 |         |       |         |       |      |       |
|                            |            |                                  | B      |                  |       |      |       | 3.53    | 89.66 |         |       |         |       |      |       |
|                            | C          |                                  | 4.53   | 115.06           |       |      |       |         |       |         |       |         |       |      |       |
|                            | 05         |                                  | STD.   | 0.50             | 12.70 | 0.63 | 15.88 | 1.53    | 38.86 | 1.31    | 33.27 | 1.25    | 31.75 | 1.25 | 31.75 |
|                            |            |                                  | A      |                  |       |      |       | 2.53    | 64.26 |         |       |         |       |      |       |
|                            |            |                                  | B      |                  |       |      |       | 3.53    | 89.66 |         |       |         |       |      |       |
|                            | C          |                                  | 4.53   | 115.06           |       |      |       |         |       |         |       |         |       |      |       |
|                            | 06         |                                  | STD.   | 0.63             | 15.88 | 0.75 | 19.05 | 1.53    | 38.86 | 1.38    | 35.05 | 1.38    | 35.05 | 1.38 | 35.05 |
|                            |            |                                  | A      |                  |       |      |       | 2.53    | 64.26 |         |       |         |       |      |       |
|                            |            |                                  | B      |                  |       |      |       | 3.53    | 89.66 |         |       |         |       |      |       |
|                            | C          |                                  | 4.53   | 115.06           |       |      |       |         |       |         |       |         |       |      |       |
|                            | 07         |                                  | STD.   | 0.75             | 19.05 | 0.88 | 22.23 | 1.53    | 38.86 | 1.50    | 38.10 | 1.50    | 38.10 | 1.50 | 38.10 |
|                            |            |                                  | A      |                  |       |      |       | 2.53    | 64.26 |         |       |         |       |      |       |
|                            |            |                                  | B      |                  |       |      |       | 3.53    | 89.66 |         |       |         |       |      |       |
|                            | C          |                                  | 4.53   | 115.06           |       |      |       |         |       |         |       |         |       |      |       |
|                            | 08         |                                  | STD.   | 0.88             | 22.23 | 1.00 | 25.40 | 1.53    | 38.86 | 1.63    | 41.40 | 1.63    | 41.40 | 1.63 | 41.40 |
|                            |            |                                  | A      |                  |       |      |       | 2.53    | 64.26 |         |       |         |       |      |       |
|                            |            |                                  | B      |                  |       |      |       | 3.53    | 89.66 |         |       |         |       |      |       |
|                            | C          |                                  | 4.53   | 115.06           |       |      |       |         |       |         |       |         |       |      |       |
|                            | 09         |                                  | STD.   | 1.00             | 25.40 | 1.13 | 28.58 | 1.53    | 38.86 | 1.63    | 41.40 | 1.75    | 44.45 | 1.75 | 44.45 |
|                            |            |                                  | A      |                  |       |      |       | 2.53    | 64.26 |         |       |         |       |      |       |
|                            |            |                                  | B      |                  |       |      |       | 3.53    | 89.66 |         |       |         |       |      |       |
|                            | C          |                                  | 4.53   | 115.06           |       |      |       |         |       |         |       |         |       |      |       |
| 10                         | STD.       | 1.13                             | 28.58  | 1.25             | 31.75 | 1.53 | 38.86 | 1.63    | 41.40 | 1.88    | 47.75 | 1.88    | 47.75 |      |       |
|                            | A          |                                  |        |                  |       | 2.53 | 64.26 |         |       |         |       |         |       |      |       |
|                            | B          |                                  |        |                  |       | 3.53 | 89.66 |         |       |         |       |         |       |      |       |
| C                          | 4.53       | 115.06                           |        |                  |       |      |       |         |       |         |       |         |       |      |       |

## 90° & 45°; SPIN COUPLING 38999 Series I, II

### MIL Part Number

|        |                    |                         |                             |                         |
|--------|--------------------|-------------------------|-----------------------------|-------------------------|
| M85049 | /76                | 10                      | W                           | 03                      |
| Series | Slash Sheet        | Shell Size<br>(Table B) | Finish<br>(Table 2, pg. 14) | Clamp Size<br>(Table B) |
|        | 76: 90°<br>77: 45° |                         |                             |                         |



| MIL PART NUMBER DESIGNATOR |            | CONNECTOR SHELL SIZE SE - II / I | CABLE RANGE |       |      |       | A DIA. (MAX) |       | B (MAX) |       | C (MAX) |       | D (MAX) |       | E (MAX) |       | Y (MAX) |       |
|----------------------------|------------|----------------------------------|-------------|-------|------|-------|--------------|-------|---------|-------|---------|-------|---------|-------|---------|-------|---------|-------|
| ACCESSORY SHELL SIZE       | CLAMP SIZE |                                  | MIN         |       | MAX  |       | INCH         | MM    | INCH    | MM    | INCH    | MM    | INCH    | MM    | INCH    | MM    | INCH    | MM    |
|                            |            |                                  | INCH        | MM    | INCH | MM    |              |       |         |       |         |       |         |       |         |       |         |       |
| 08                         | 01         | 8 / 9                            | 0.06        | 1.57  | 0.13 | 3.18  | 0.75         | 19.05 | 0.46    | 11.68 | 3.15    | 80.01 | 0.69    | 17.53 | 3.46    | 87.88 | 0.80    | 20.32 |
|                            | 02         |                                  | 0.13        | 3.18  | 0.25 | 6.35  |              |       |         |       |         |       |         |       |         |       | 1.00    | 25.40 |
| 10                         | 01         | 10 / 11                          | 0.06        | 1.57  | 0.13 | 3.18  | 0.85         | 21.59 | 0.52    | 13.21 | 3.21    | 81.53 | 0.78    | 19.81 | 3.58    | 90.93 | 0.80    | 20.32 |
|                            | 02         |                                  | 0.13        | 3.18  | 0.25 | 6.35  |              |       |         |       |         |       |         |       |         |       | 1.00    | 25.40 |
|                            | 03         |                                  | 0.25        | 6.35  | 0.38 | 9.53  |              |       |         |       |         |       |         |       |         |       | 1.10    | 27.94 |
| 12                         | 02         | 12 / 13                          | 0.13        | 3.18  | 0.25 | 6.35  | 1.00         | 25.40 | 0.58    | 14.73 | 3.27    | 83.06 | 0.80    | 20.32 | 3.60    | 91.44 | 1.00    | 25.40 |
|                            | 03         |                                  | 0.25        | 6.35  | 0.38 | 9.53  |              |       |         |       |         |       |         |       |         |       | 1.10    | 27.94 |
|                            | 04         |                                  | 0.38        | 9.53  | 0.50 | 12.70 |              |       |         |       |         |       |         |       |         |       | 1.20    | 30.48 |
| 14                         | 02         | 14 / 15                          | 0.13        | 3.18  | 0.25 | 6.35  | 1.15         | 29.21 | 0.65    | 16.51 | 3.36    | 85.34 | 0.88    | 22.35 | 3.67    | 93.22 | 1.00    | 25.40 |
|                            | 03         |                                  | 0.25        | 6.35  | 0.38 | 9.53  |              |       |         |       |         |       |         |       |         |       | 1.10    | 27.94 |
|                            | 04         |                                  | 0.38        | 9.53  | 0.50 | 12.70 |              |       |         |       |         |       |         |       |         |       | 1.20    | 30.48 |
|                            | 05         |                                  | 0.50        | 12.70 | 0.63 | 15.88 |              |       |         |       |         |       |         |       |         |       | 1.25    | 31.75 |
|                            | 06         |                                  | 0.63        | 15.88 | 0.75 | 19.05 |              |       |         |       |         |       |         |       |         |       | 1.40    | 35.56 |
| 16                         | 02         | 16 / 17                          | 0.13        | 3.18  | 0.25 | 6.35  | 1.25         | 31.75 | 0.74    | 18.80 | 3.47    | 88.14 | 0.93    | 23.62 | 3.76    | 95.50 | 1.00    | 25.40 |
|                            | 03         |                                  | 0.25        | 6.35  | 0.38 | 9.53  |              |       |         |       |         |       |         |       |         |       | 1.10    | 27.94 |
|                            | 04         |                                  | 0.38        | 9.53  | 0.50 | 12.70 |              |       |         |       |         |       |         |       |         |       | 1.20    | 30.48 |
|                            | 05         |                                  | 0.50        | 12.70 | 0.63 | 15.88 |              |       |         |       |         |       |         |       |         |       | 1.25    | 31.75 |
|                            | 06         |                                  | 0.63        | 15.88 | 0.75 | 19.05 |              |       |         |       |         |       |         |       |         |       | 1.40    | 35.56 |
| 18                         | 03         | 18 / 19                          | 0.25        | 6.35  | 0.38 | 9.53  | 1.40         | 35.56 | 0.93    | 23.62 | 3.66    | 92.96 | 1.01    | 25.65 | 3.93    | 99.82 | 1.10    | 27.94 |
|                            | 04         |                                  | 0.38        | 9.53  | 0.50 | 12.70 |              |       |         |       |         |       |         |       |         |       | 1.20    | 30.48 |
|                            | 05         |                                  | 0.50        | 12.70 | 0.63 | 15.88 |              |       |         |       |         |       |         |       |         |       | 1.25    | 31.75 |
|                            | 06         |                                  | 0.63        | 15.88 | 0.75 | 19.05 |              |       |         |       |         |       |         |       |         |       | 1.40    | 35.56 |
|                            | 07         |                                  | 0.75        | 19.05 | 0.88 | 22.23 |              |       |         |       |         |       |         |       |         |       | 1.50    | 38.10 |

Table continued

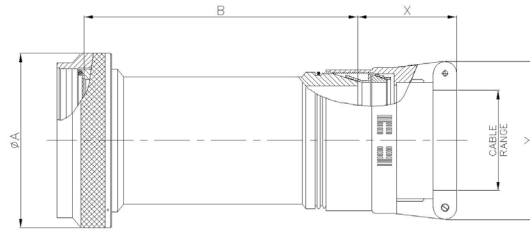
## 90° & 45°; SPIN COUPLING 38999 Series I, II

| MIL PART NUMBER DESIGNATOR |            | CONNECTOR SHELL SIZE SE-II/I | CABLE RANGE |       | A DIA. (MAX) |       | B (MAX) |       | C (MAX) |       | D (MAX) |       | E (MAX) |       | Y (MAX) |        |      |       |
|----------------------------|------------|------------------------------|-------------|-------|--------------|-------|---------|-------|---------|-------|---------|-------|---------|-------|---------|--------|------|-------|
| ACCESSORY SHELL SIZE       | CLAMP SIZE |                              | MIN         |       | MAX          |       | INCH    | MM    | INCH    | MM    | INCH    | MM    | INCH    | MM    | INCH    | MM     |      |       |
|                            |            |                              | INCH        | MM    | INCH         | MM    |         |       |         |       |         |       |         |       |         |        |      |       |
| 20                         | 03         | 20 / 21                      | 0.25        | 6.35  | 0.38         | 9.53  | 1.55    | 39.37 | 0.93    | 23.62 | 3.66    | 92.96 | 1.06    | 26.92 | 3.93    | 99.82  | 1.10 | 27.94 |
|                            | 04         |                              | 0.38        | 9.53  | 0.50         | 12.70 |         |       |         |       |         |       |         |       |         |        | 1.20 | 30.48 |
|                            | 05         |                              | 0.50        | 12.70 | 0.63         | 15.88 |         |       |         |       |         |       |         |       |         |        | 1.25 | 31.75 |
|                            | 06         |                              | 0.63        | 15.88 | 0.75         | 19.05 |         |       |         |       |         |       |         |       |         |        | 1.40 | 35.56 |
|                            | 07         |                              | 0.75        | 19.05 | 0.88         | 22.23 |         |       |         |       |         |       |         |       |         |        | 1.50 | 38.10 |
|                            | 08         |                              | 0.88        | 22.23 | 1.00         | 25.40 |         |       |         |       |         |       |         |       |         |        | 1.65 | 41.91 |
| 22                         | 03         | 22 / 23                      | 0.25        | 6.35  | 0.38         | 9.53  | 1.65    | 41.91 | 1.02    | 25.91 | 3.81    | 96.77 | 1.17    | 29.72 | 4.04    | 102.62 | 1.10 | 27.94 |
|                            | 04         |                              | 0.38        | 9.53  | 0.50         | 12.70 |         |       |         |       |         |       |         |       |         |        | 1.20 | 30.48 |
|                            | 05         |                              | 0.50        | 12.70 | 0.63         | 15.88 |         |       |         |       |         |       |         |       |         |        | 1.25 | 31.75 |
|                            | 06         |                              | 0.63        | 15.88 | 0.75         | 19.05 |         |       |         |       |         |       |         |       |         |        | 1.40 | 35.56 |
|                            | 07         |                              | 0.75        | 19.05 | 0.88         | 22.23 |         |       |         |       |         |       |         |       |         |        | 1.50 | 38.10 |
|                            | 08         |                              | 0.88        | 22.23 | 1.00         | 25.40 |         |       |         |       |         |       |         |       |         |        | 1.65 | 41.91 |
|                            | 09         |                              | 1.00        | 25.40 | 1.13         | 28.58 |         |       |         |       |         |       |         |       |         |        | 1.75 | 44.45 |
|                            | 04         |                              | 0.38        | 9.53  | 0.50         | 12.70 |         |       |         |       |         |       |         |       |         |        | 1.20 | 30.48 |
| 24                         | 05         | 24 / 25                      | 0.50        | 12.70 | 0.63         | 15.88 | 1.85    | 46.99 | 1.02    | 25.91 | 3.81    | 96.77 | 1.18    | 29.97 | 4.04    | 102.62 | 1.25 | 31.75 |
|                            | 06         |                              | 0.63        | 15.88 | 0.75         | 19.05 |         |       |         |       |         |       |         |       |         |        | 1.40 | 35.56 |
|                            | 07         |                              | 0.75        | 19.05 | 0.88         | 22.23 |         |       |         |       |         |       |         |       |         |        | 1.50 | 38.10 |
|                            | 08         |                              | 0.88        | 22.23 | 1.00         | 25.40 |         |       |         |       |         |       |         |       |         |        | 1.65 | 41.91 |
|                            | 09         |                              | 1.00        | 25.40 | 1.13         | 28.58 |         |       |         |       |         |       |         |       |         |        | 1.75 | 44.45 |
|                            | 10         |                              | 1.13        | 28.58 | 1.25         | 31.75 |         |       |         |       |         |       |         |       |         |        | 1.90 | 48.26 |

## STRAIGHT; SPIN COUPLING 38999 Series III, IV

### MIL Part Number

|        |              |                         |                             |                         |   |
|--------|--------------|-------------------------|-----------------------------|-------------------------|---|
| M85049 | /18          | 11                      | W                           | 03                      | A   |
| Series | Slash Sheet  | Shell Size<br>(Table A) | Finish<br>(Table 2, pg. 14) | Clamp Size<br>(Table A) | Length<br>(Table A)<br><br>Omit for "STD" |
|        | 18: Straight |                         |                             |                         |   |



| MIL PART NUMBER DESIGNATOR |               |                | CONNECTOR<br>SHELL SIZE/CODE<br>(REF.) | CABLE RANGE |       |       |       | A DIA. (MAX) |       | B (MAX) |       | X (MAX) |       | Y (MAX) |       |       |       |       |
|----------------------------|---------------|----------------|--|-------------|-------|-------|-------|--------------|-------|---------|-------|---------|-------|---------|-------|-------|-------|-------|
| CONNECTOR<br>SHELL SIZE    | CLAMP<br>SIZE | LENGTH<br>CODE |  | MIN         |       | MAX   |       | INCH         | MM    | INCH    | MM    | INCH    | MM    | INCH    | MM    |       |       |       |
|                            |               |                |  | INCH        | MM    | INCH  | MM    |              |       |         |       |         |       |         |       |       |       |       |
| 9                          | 01            | STD.           | 09 / A                                 | 0.06        | 1.57  | 0.13  | 3.18  | 0.75         | 19.05 | 1.53    | 38.86 | 1.25    | 31.75 | 0.80    | 20.32 |       |       |       |
|                            |               | A              |  |             |       |       |       |              |       | 2.53    | 64.26 |         |       |         |       |       |       |       |
|                            | 02            | STD.           |  | 0.13        | 3.18  | 0.25  | 6.35  |              |       | 1.53    | 38.86 | 1.25    | 31.75 | 1.00    | 25.40 |       |       |       |
|                            |               | A              |  | 2.53        | 64.26 |       |       |              |       |         |       |         |       |         |       |       |       |       |
| 11                         | 01            | STD.           |  | 11 / B      | 0.06  | 1.57  | 0.13  |              |       | 3.18    | 0.85  | 21.59   | 1.53  | 38.86   | 1.25  | 31.75 | 0.80  | 20.32 |
|                            |               | A              |  |             |       |       |       |              |       |         |       |         | 2.53  | 64.26   |       |       |       |       |
|                            | 02            | STD.           |  |             | 0.13  | 3.18  | 0.25  |              |       | 6.35    |       |         | 1.53  | 38.86   | 1.25  | 31.75 | 1.00  | 25.40 |
|                            |               | A              |  |             | 2.53  | 64.26 |       |              |       |         |       |         |       |         |       |       |       |       |
|                            | 03            | STD.           | 0.25                                   |             | 6.35  | 0.38  | 9.53  | 1.53         | 38.86 | 1.25    |       |         | 31.75 | 1.10    | 27.94 |       |       |       |
|                            |               | A              | 2.53                                   |             | 64.26 |       |       |              |       |         |       |         |       |         |       |       |       |       |
| 13                         | 02            | STD.           | 13 / C                                 |             | 0.13  | 3.18  | 0.25  | 6.35         | 1.00  | 25.40   |       |         | 1.53  | 38.86   | 1.25  | 31.75 | 1.00  | 25.40 |
|                            |               | A              |  |             |       |       |       |              |       |         |       |         | 2.53  | 64.26   |       |       |       |       |
|                            | 03            | STD.           |  |             | 0.25  | 6.35  | 0.38  | 9.53         |       |         |       |         | 1.53  | 38.86   | 1.25  | 31.75 | 1.10  | 27.94 |
|                            |               | A              |  |             | 2.53  | 64.26 |       |              |       |         |       |         |       |         |       |       |       |       |
| 04                         | STD.          | 0.38           |  |             | 9.53  | 0.50  | 12.70 | 1.53         |       |         |       |         | 38.86 | 1.25    | 31.75 | 1.20  | 30.48 |       |
|                            | A             | 2.53           |  |             | 64.26 |       |       |              |       |         |       |         |       |         |       |       |       |       |
| 15                         | 02            | STD.           |  | 15 / D      | 0.13  | 3.18  | 0.25  | 6.35         |       |         | 1.15  | 29.21   | 1.53  | 38.86   | 1.25  | 31.75 | 1.00  | 25.40 |
|                            |               | A              |  |             |       |       |       |              |       |         |       |         | 2.53  | 64.26   |       |       |       |       |
|                            |               | B              | 3.53                                   |             |       |       |       |              | 89.66 |         |       |         |       |         |       |       |       |       |
|                            | 03            | STD.           | 0.25                                   |             | 6.35  | 0.38  | 9.53  | 1.53         | 38.86 | 1.25    |       |         | 31.75 | 1.10    | 27.94 |       |       |       |
|                            |               | A              |  |             |       |       |       | 2.53         | 64.26 |         |       |         |       |         |       |       |       |       |
|                            |               | B              |  |             |       |       |       | 3.53         | 89.66 |         |       |         |       |         |       |       |       |       |
|                            | 04            | STD.           | 0.38                                   |             | 9.53  | 0.50  | 12.70 | 1.53         | 38.86 | 1.25    |       |         | 31.75 | 1.20    | 30.48 |       |       |       |
|                            |               | A              |  |             |       |       |       | 2.53         | 64.26 |         |       |         |       |         |       |       |       |       |
|                            |               | B              |  |             |       |       |       | 3.53         | 89.66 |         |       |         |       |         |       |       |       |       |
|                            | 05            | STD.           | 0.50                                   |             | 12.70 | 0.63  | 15.88 | 1.53         | 38.86 | 1.31    |       |         | 33.27 | 1.25    | 31.75 |       |       |       |
|                            |               | A              |  |             |       |       |       | 2.53         | 64.26 |         |       |         |       |         |       |       |       |       |
|                            |               | B              |  |             |       |       |       | 3.53         | 89.66 |         |       |         |       |         |       |       |       |       |
| 17                         | 02            | STD.           | 17 / E                                 | 0.13        | 3.18  | 0.25  | 6.35  | 1.25         | 31.75 | 1.53    | 38.86 | 1.25    | 31.75 | 1.00    | 25.40 |       |       |       |
|                            |               | A              |  |             |       |       |       |              |       | 2.53    | 64.26 |         |       |         |       |       |       |       |
|                            |               | B              |  |             |       |       |       |              |       | 3.53    | 89.66 |         |       |         |       |       |       |       |
|                            | 03            | STD.           |  | 0.25        | 6.35  | 0.38  | 9.53  |              |       | 1.53    | 38.86 | 1.25    | 31.75 | 1.10    | 27.94 |       |       |       |
|                            |               | A              |  |             |       |       |       |              |       | 2.53    | 64.26 |         |       |         |       |       |       |       |
|                            |               | B              |  |             |       |       |       |              |       | 3.53    | 89.66 |         |       |         |       |       |       |       |
|                            | 04            | STD.           |  | 0.38        | 9.53  | 0.50  | 12.70 |              |       | 1.53    | 38.86 | 1.25    | 31.75 | 1.20    | 30.48 |       |       |       |
|                            |               | A              |  |             |       |       |       |              |       | 2.53    | 64.26 |         |       |         |       |       |       |       |
|                            |               | B              |  |             |       |       |       |              |       | 3.53    | 89.66 |         |       |         |       |       |       |       |
|                            | 05            | STD.           |  | 0.50        | 12.70 | 0.63  | 15.88 |              |       | 1.53    | 38.86 | 1.31    | 33.27 | 1.25    | 31.75 |       |       |       |
|                            |               | A              |  |             |       |       |       |              |       | 2.53    | 64.26 |         |       |         |       |       |       |       |
|                            |               | B              |  |             |       |       |       |              |       | 3.53    | 89.66 |         |       |         |       |       |       |       |
| 06                         | STD.          | 0.63           | 15.88                                  | 0.75        | 19.05 | 1.53  | 38.86 | 1.38         | 35.05 | 1.40    | 35.56 |         |       |         |       |       |       |       |
|                            | A             |                |  |             |       | 2.53  | 64.26 |              |       |         |       |         |       |         |       |       |       |       |
|                            | B             |                |  |             |       | 3.53  | 89.66 |              |       |         |       |         |       |         |       |       |       |       |

Table continued

## STRAIGHT; SPIN COUPLING 38999 Series III, IV

| MIL PART NUMBER DESIGNATOR |               |                | CONNECTOR<br>SHELL SIZE/CODE<br>(REF.) | CABLE RANGE |       |      |       | A DIA. (MAX) |       | B (MAX) |        | X (MAX) |        | Y (MAX) |       |      |        |
|----------------------------|---------------|----------------|--|-------------|-------|------|-------|--------------|-------|---------|--------|---------|--------|---------|-------|------|--------|
| CONNECTOR<br>SHELL SIZE    | CLAMP<br>SIZE | LENGTH<br>CODE |  | MIN         |       | MAX  |       | INCH         | MM    | INCH    | MM     | INCH    | MM     | INCH    | MM    |      |        |
|                            |               |                |  | INCH        | MM    | INCH | MM    |              |       |         |        |         |        |         |       |      |        |
| 19                         | 03            | STD.           | 19 / F                                 | 0.25        | 6.35  | 0.38 | 9.53  | 1.40         | 35.56 | 1.53    | 38.86  | 1.25    | 31.75  | 1.10    | 27.94 |      |        |
|                            |               | A              |  |             |       |      |       |              |       | 2.53    | 64.26  |         |        |         |       |      |        |
|                            |               | B              |  |             |       |      |       |              |       | 3.53    | 89.66  |         |        |         |       |      |        |
|                            | 04            | STD.           |  | 0.38        | 9.53  | 0.50 | 12.70 |              |       | 1.53    | 38.86  | 1.25    | 31.75  | 1.20    | 30.48 |      |        |
|                            |               | A              |  |             |       |      |       |              |       |         |        |         |        |         |       | 2.53 | 64.26  |
|                            |               | B              |  |             |       |      |       |              |       |         |        |         |        |         |       | 3.53 | 89.66  |
|                            | 05            | STD.           |  | 0.50        | 12.70 | 0.63 | 15.88 |              |       | 1.53    | 38.86  | 1.31    | 33.27  | 1.25    | 31.75 |      |        |
|                            |               | A              |  |             |       |      |       |              |       |         |        |         |        |         |       | 2.53 | 64.26  |
|                            |               | B              |  |             |       |      |       |              |       |         |        |         |        |         |       | 3.53 | 89.66  |
|                            | 06            | STD.           |  | 0.63        | 15.88 | 0.75 | 19.05 |              |       | 1.53    | 38.86  | 1.38    | 35.05  | 1.40    | 35.56 |      |        |
|                            |               | A              |  |             |       |      |       |              |       |         |        |         |        |         |       | 2.53 | 64.26  |
|                            |               | B              |  |             |       |      |       |              |       |         |        |         |        |         |       | 3.53 | 89.66  |
| 07                         | STD.          | 0.75           | 19.05                                  | 0.88        | 22.23 | 1.53 | 38.86 | 1.50         | 38.10 | 1.50    | 38.10  |         |        |         |       |      |        |
|                            | A             |                |  |             |       |      |       |              |       |         |        | 2.53    | 64.26  |         |       |      |        |
|                            | B             |                |  |             |       |      |       |              |       |         |        | 3.53    | 89.66  |         |       |      |        |
| 21                         | 03            | STD.           | 21 / G                                 | 0.25        | 6.35  | 0.38 | 9.53  | 1.55         | 39.37 | 1.53    | 38.86  | 1.25    | 31.75  | 1.10    | 27.94 |      |        |
|                            |               | A              |  |             |       |      |       |              |       | 2.53    | 64.26  |         |        |         |       |      |        |
|                            |               | B              |  |             |       |      |       |              |       | 3.53    | 89.66  |         |        |         |       |      |        |
|                            |               | C              |  |             |       |      |       |              |       | 4.53    | 115.06 |         |        |         |       |      |        |
|                            | 04            | STD.           |  | 0.38        | 9.53  | 0.50 | 12.70 |              |       | 1.53    | 38.86  | 1.25    | 31.75  | 1.20    | 30.48 |      |        |
|                            |               | A              |  |             |       |      |       |              |       |         |        |         |        |         |       | 2.53 | 64.26  |
|                            |               | B              |  |             |       |      |       |              |       |         |        |         |        |         |       | 3.53 | 89.66  |
|                            |               | C              |  |             |       |      |       |              |       |         |        |         |        |         |       | 4.53 | 115.06 |
|                            | 05            | STD.           |  | 0.50        | 12.70 | 0.63 | 15.88 |              |       | 1.53    | 38.86  | 1.31    | 33.27  | 1.25    | 31.75 |      |        |
|                            |               | A              |  |             |       |      |       |              |       |         |        |         |        |         |       | 2.53 | 64.26  |
|                            |               | B              |  |             |       |      |       |              |       |         |        |         |        |         |       | 3.53 | 89.66  |
|                            |               | C              |  |             |       |      |       |              |       |         |        |         |        |         |       | 4.53 | 115.06 |
|                            | 06            | STD.           |  | 0.63        | 15.88 | 0.75 | 19.05 |              |       | 1.53    | 38.86  | 1.38    | 35.05  | 1.40    | 35.56 |      |        |
|                            |               | A              |  |             |       |      |       |              |       |         |        |         |        |         |       | 2.53 | 64.26  |
|                            |               | B              |  |             |       |      |       |              |       |         |        |         |        |         |       | 3.53 | 89.66  |
|                            |               | C              |  |             |       |      |       |              |       |         |        |         |        |         |       | 4.53 | 115.06 |
|                            | 07            | STD.           |  | 0.75        | 19.05 | 0.88 | 22.23 |              |       | 1.53    | 38.86  | 1.50    | 38.10  | 1.50    | 38.10 |      |        |
|                            |               | A              |  |             |       |      |       |              |       |         |        |         |        |         |       | 2.53 | 64.26  |
|                            |               | B              |  |             |       |      |       |              |       |         |        |         |        |         |       | 3.53 | 89.66  |
|                            |               | C              |  |             |       |      |       |              |       |         |        |         |        |         |       | 4.53 | 115.06 |
|                            | 08            | STD.           |  | 0.88        | 22.23 | 1.00 | 25.40 |              |       | 1.53    | 38.86  | 1.63    | 41.40  | 1.65    | 41.91 |      |        |
|                            |               | A              |  |             |       |      |       |              |       |         |        |         |        |         |       | 2.53 | 64.26  |
|                            |               | B              |  |             |       |      |       |              |       |         |        |         |        |         |       | 3.53 | 89.66  |
|                            |               | C              |  |             |       |      |       |              |       |         |        |         |        |         |       | 4.53 | 115.06 |
| 23                         | 03            | STD.           | 23 / H                                 | 0.25        | 6.35  | 0.38 | 9.53  | 1.65         | 41.91 | 1.53    | 38.86  | 1.25    | 31.75  | 1.10    | 27.94 |      |        |
|                            |               | A              |  |             |       |      |       |              |       | 2.53    | 64.26  |         |        |         |       |      |        |
|                            |               | B              |  |             |       |      |       |              |       | 3.53    | 89.66  |         |        |         |       |      |        |
|                            |               | C              |  |             |       |      |       |              |       | 4.53    | 115.06 |         |        |         |       |      |        |
|                            | 04            | STD.           |  | 0.38        | 9.53  | 0.50 | 12.70 |              |       | 1.53    | 38.86  | 1.25    | 31.75  | 1.20    | 30.48 |      |        |
|                            |               | A              |  |             |       |      |       |              |       |         |        |         |        |         |       | 2.53 | 64.26  |
|                            |               | B              |  |             |       |      |       |              |       |         |        |         |        |         |       | 3.53 | 89.66  |
|                            |               | C              |  |             |       |      |       |              |       |         |        |         |        |         |       | 4.53 | 115.06 |
|                            | 05            | STD.           |  | 0.50        | 12.70 | 0.63 | 15.88 |              |       | 1.53    | 38.86  | 1.31    | 33.27  | 1.25    | 31.75 |      |        |
|                            |               | A              |  |             |       |      |       |              |       |         |        |         |        |         |       | 2.53 | 64.26  |
|                            |               | B              |  |             |       |      |       |              |       |         |        |         |        |         |       | 3.53 | 89.66  |
|                            |               | C              |  |             |       |      |       |              |       |         |        |         |        |         |       | 4.53 | 115.06 |
| 06                         | STD.          | 0.63           | 15.88                                  | 0.75        | 19.05 | 1.53 | 38.86 | 1.38         | 35.05 | 1.40    | 35.56  |         |        |         |       |      |        |
|                            | A             |                |  |             |       |      |       |              |       |         |        | 2.53    | 64.26  |         |       |      |        |
|                            | B             |                |  |             |       |      |       |              |       |         |        | 3.53    | 89.66  |         |       |      |        |
|                            | C             |                |  |             |       |      |       |              |       |         |        | 4.53    | 115.06 |         |       |      |        |

Table continued

## STRAIGHT; SPIN COUPLING

38999 Series III, IV

| MIL PART NUMBER DESIGNATOR |               |                | CONNECTOR<br>SHELL SIZE/CODE<br>(REF.) | CABLE RANGE |       |      |       | A DIA. (MAX) |       | B (MAX) |        | X (MAX) |       | Y (MAX) |        |
|----------------------------|---------------|----------------|--|-------------|-------|------|-------|--------------|-------|---------|--------|---------|-------|---------|--------|
| CONNECTOR<br>SHELL SIZE    | CLAMP<br>SIZE | LENGTH<br>CODE |  | MIN         |       | MAX  |       | INCH         | MM    | INCH    | MM     | INCH    | MM    | INCH    | MM     |
|                            |               |                |  | INCH        | MM    | INCH | MM    |              |       |         |        |         |       |         |        |
| 23, cont.                  | 07            | STD.           | 23 / H                                 | 0.75        | 19.05 | 0.88 | 22.23 | 1.65         | 41.91 | 1.53    | 38.86  | 1.50    | 38.10 | 1.50    | 38.10  |
|                            |               | A              |  |             |       |      |       |              |       | 2.53    | 64.26  |         |       |         |        |
|                            |               | B              |  |             |       |      |       |              |       | 3.53    | 89.66  |         |       |         |        |
|                            |               | C              |  |             |       |      |       |              |       | 4.53    | 115.06 |         |       |         |        |
|                            | 08            | STD.           |  | 0.88        | 22.23 | 1.00 | 25.40 |              |       | 1.63    | 41.40  | 1.65    | 42.91 | 1.53    | 38.86  |
|                            |               | A              |  |             |       |      |       |              |       |         |        |         |       | 2.53    | 64.26  |
|                            |               | B              |  |             |       |      |       |              |       |         |        |         |       | 3.53    | 89.66  |
|                            |               | C              |  |             |       |      |       |              |       |         |        |         |       | 4.53    | 115.06 |
|                            | 09            | STD.           |  | 1.00        | 25.40 | 1.13 | 28.58 |              |       | 1.63    | 41.40  | 1.75    | 44.45 | 1.53    | 38.86  |
|                            |               | A              |  |             |       |      |       |              |       |         |        |         |       | 2.53    | 64.26  |
|                            |               | B              |  |             |       |      |       |              |       |         |        |         |       | 3.53    | 89.66  |
|                            |               | C              |  |             |       |      |       |              |       |         |        |         |       | 4.53    | 115.06 |
| 25                         | 04            | STD.           | 25 / J                                 | 0.38        | 9.53  | 0.50 | 12.70 | 1.85         | 46.99 | 1.53    | 38.86  | 1.25    | 31.75 | 1.20    | 30.48  |
|                            |               | A              |  |             |       |      |       |              |       | 2.53    | 64.26  |         |       |         |        |
|                            |               | B              |  |             |       |      |       |              |       | 3.53    | 89.66  |         |       |         |        |
|                            |               | C              |  |             |       |      |       |              |       | 4.53    | 115.06 |         |       |         |        |
|                            | 05            | STD.           |  | 0.50        | 12.70 | 0.63 | 15.88 |              |       | 1.31    | 33.27  | 1.25    | 31.75 | 1.53    | 38.86  |
|                            |               | A              |  |             |       |      |       |              |       |         |        |         |       | 2.53    | 64.26  |
|                            |               | B              |  |             |       |      |       |              |       |         |        |         |       | 3.53    | 89.66  |
|                            |               | C              |  |             |       |      |       |              |       |         |        |         |       | 4.53    | 115.06 |
|                            | 06            | STD.           |  | 0.63        | 15.88 | 0.75 | 19.05 |              |       | 1.38    | 35.05  | 1.40    | 35.56 | 1.53    | 38.86  |
|                            |               | A              |  |             |       |      |       |              |       |         |        |         |       | 2.53    | 64.26  |
|                            |               | B              |  |             |       |      |       |              |       |         |        |         |       | 3.53    | 89.66  |
|                            |               | C              |  |             |       |      |       |              |       |         |        |         |       | 4.53    | 115.06 |
|                            | 07            | STD.           |  | 0.75        | 19.05 | 0.88 | 22.23 |              |       | 1.50    | 38.10  | 1.50    | 38.10 | 1.53    | 38.86  |
|                            |               | A              |  |             |       |      |       |              |       |         |        |         |       | 2.53    | 64.26  |
|                            |               | B              |  |             |       |      |       |              |       |         |        |         |       | 3.53    | 89.66  |
|                            |               | C              |  |             |       |      |       |              |       |         |        |         |       | 4.53    | 115.06 |
|                            | 08            | STD.           |  | 0.88        | 22.23 | 1.00 | 25.40 |              |       | 1.63    | 41.40  | 1.65    | 41.91 | 1.53    | 38.86  |
|                            |               | A              |  |             |       |      |       |              |       |         |        |         |       | 2.53    | 64.26  |
|                            |               | B              |  |             |       |      |       |              |       |         |        |         |       | 3.53    | 89.66  |
|                            |               | C              |  |             |       |      |       |              |       |         |        |         |       | 4.53    | 115.06 |
|                            | 09            | STD.           |  | 1.00        | 25.40 | 1.13 | 28.58 |              |       | 1.63    | 41.40  | 1.75    | 44.45 | 1.53    | 38.86  |
|                            |               | A              |  |             |       |      |       |              |       |         |        |         |       | 2.53    | 64.26  |
|                            |               | B              |  |             |       |      |       |              |       |         |        |         |       | 3.53    | 89.66  |
|                            |               | C              |  |             |       |      |       |              |       |         |        |         |       | 4.53    | 115.06 |
| 10                         | STD.          | 1.13           | 28.58                                  | 1.25        | 31.75 | 1.63 | 41.40 | 1.90         | 48.26 | 1.53    | 38.86  |         |       |         |        |
|                            | A             |                |  |             |       |      |       |              |       | 2.53    | 64.26  |         |       |         |        |
|                            | B             |                |  |             |       |      |       |              |       | 3.53    | 89.66  |         |       |         |        |
|                            | C             |                |  |             |       |      |       |              |       | 4.53    | 115.06 |         |       |         |        |

## 90° & 45°; SPIN COUPLING 38999 Series III, IV

MIL Part Number

|        |                    |                         |                             |                         |
|--------|--------------------|-------------------------|-----------------------------|-------------------------|
| M85049 | /79                | 11                      | W                           | 03                      |
| Series | Slash Sheet        | Shell Size<br>(Table B) | Finish<br>(Table 2, pg. 14) | Clamp Size<br>(Table B) |
|        | 78: 45°<br>79: 90° |                         |                             |                         |

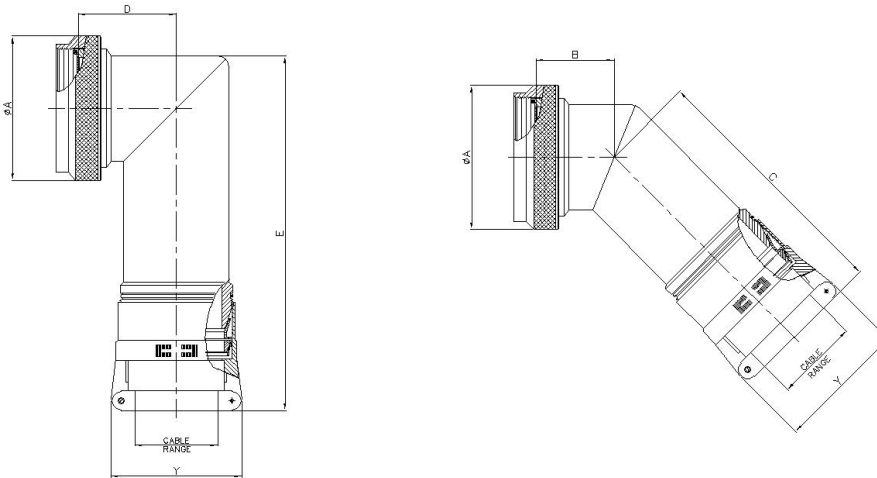


TABLE - B

| MIL PART NUMBER DESIGNATOR |            | CONNECTOR SHELL SIZE/ CODE (REF.) | CABLE RANGE |       |      |       | A DIA. (MAX) |       | B (MAX) |       | C (MAX) |       | D (MAX) |       | E (MAX) |       | Y (MAX) |       |
|----------------------------|------------|-----------------------------------|-------------|-------|------|-------|--------------|-------|---------|-------|---------|-------|---------|-------|---------|-------|---------|-------|
| CONNECTOR SHELL SIZE       | CLAMP SIZE |                                   | MIN         |       | MAX  |       | INCH         | MM    | INCH    | MM    | INCH    | MM    | INCH    | MM    | INCH    | MM    | INCH    | MM    |
|                            |            |                                   | INCH        | MM    | INCH | MM    |              |       |         |       |         |       |         |       |         |       |         |       |
| 9                          | 01         | 09 / A                            | 0.06        | 1.57  | 0.13 | 3.18  | 0.75         | 19.05 | 0.46    | 11.68 | 3.15    | 80.01 | 0.69    | 17.53 | 3.46    | 87.88 | 0.80    | 20.32 |
|                            | 02         |                                   | 0.13        | 3.18  | 0.25 | 6.35  |              |       |         |       |         |       |         |       |         |       | 1.00    | 25.40 |
| 11                         | 01         | 11 / B                            | 0.06        | 1.57  | 0.13 | 3.18  | 0.85         | 21.59 | 0.52    | 13.21 | 3.21    | 81.53 | 0.78    | 19.81 | 3.58    | 90.93 | 0.80    | 20.32 |
|                            | 02         |                                   | 0.13        | 3.18  | 0.25 | 6.35  |              |       |         |       |         |       |         |       |         |       | 1.10    | 27.94 |
|                            | 03         |                                   | 0.25        | 6.35  | 0.38 | 9.53  |              |       |         |       |         |       |         |       |         |       | 1.20    | 30.48 |
| 13                         | 02         | 13 / C                            | 0.13        | 3.18  | 0.25 | 6.35  | 1.00         | 25.40 | 0.58    | 14.73 | 3.27    | 83.06 | 0.80    | 20.32 | 3.60    | 91.44 | 1.00    | 25.40 |
|                            | 03         |                                   | 0.25        | 6.35  | 0.38 | 9.53  |              |       |         |       |         |       |         |       |         |       | 1.10    | 27.94 |
|                            | 04         |                                   | 0.38        | 9.53  | 0.50 | 12.70 |              |       |         |       |         |       |         |       |         |       | 1.20    | 30.48 |
| 15                         | 02         | 15 / D                            | 0.13        | 3.18  | 0.25 | 6.35  | 1.15         | 29.21 | 0.65    | 16.51 | 3.36    | 85.34 | 0.88    | 22.35 | 3.67    | 93.22 | 1.00    | 25.40 |
|                            | 03         |                                   | 0.25        | 6.35  | 0.38 | 9.53  |              |       |         |       |         |       |         |       |         |       | 1.10    | 27.94 |
|                            | 04         |                                   | 0.38        | 9.53  | 0.50 | 12.70 |              |       |         |       |         |       |         |       |         |       | 1.20    | 30.48 |
|                            | 05         |                                   | 0.50        | 12.70 | 0.63 | 15.88 |              |       |         |       |         |       |         |       |         |       | 1.25    | 31.75 |
| 17                         | 02         | 17 / E                            | 0.13        | 3.18  | 0.25 | 6.35  | 1.25         | 31.75 | 0.74    | 18.80 | 3.47    | 88.14 | 0.93    | 23.62 | 3.76    | 95.50 | 1.00    | 25.40 |
|                            | 03         |                                   | 0.25        | 6.35  | 0.38 | 9.53  |              |       |         |       |         |       |         |       |         |       | 1.10    | 27.94 |
|                            | 04         |                                   | 0.38        | 9.53  | 0.50 | 12.70 |              |       |         |       |         |       |         |       |         |       | 1.20    | 30.48 |
|                            | 05         |                                   | 0.50        | 12.70 | 0.63 | 15.88 |              |       |         |       |         |       |         |       |         |       | 1.25    | 31.75 |
|                            | 06         |                                   | 0.63        | 15.88 | 0.75 | 19.05 |              |       |         |       |         |       |         |       |         |       | 1.40    | 35.56 |

Table continued



## 90° & 45°; SPIN COUPLING 38999 Series III, IV

TABLE – B, cont.

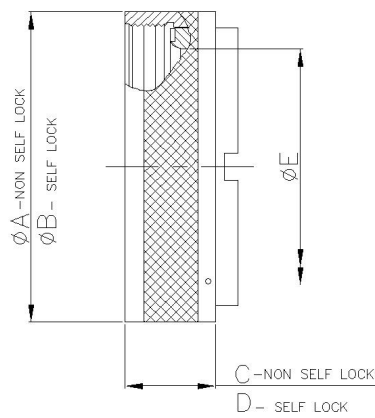
| MIL PART NUMBER DESIGNATOR |            | CONNECTOR SHELL SIZE/ CODE (REF.) | CABLE RANGE |       |      |       | A DIA. (MAX) |       | B (MAX) |       | C (MAX) |       | D (MAX) |       | E (MAX) |        | Y (MAX) |       |
|----------------------------|------------|-----------------------------------|-------------|-------|------|-------|--------------|-------|---------|-------|---------|-------|---------|-------|---------|--------|---------|-------|
| CONNECTOR SHELL SIZE       | CLAMP SIZE |                                   | MIN         |       | MAX  |       | INCH         | MM    | INCH    | MM    | INCH    | MM    | INCH    | MM    | INCH    | MM     | INCH    | MM    |
|                            |            |                                   | INCH        | MM    | INCH | MM    |              |       |         |       |         |       |         |       |         |        |         |       |
| 19                         | 03         | 19 / F                            | 0.25        | 6.35  | 0.38 | 9.53  | 1.40         | 35.56 | 0.93    | 23.62 | 3.66    | 92.96 | 1.01    | 25.65 | 3.93    | 99.82  | 1.10    | 27.94 |
|                            | 04         |                                   | 0.38        | 9.53  | 0.50 | 12.70 |              |       |         |       |         |       |         |       |         |        | 1.20    | 30.48 |
|                            | 05         |                                   | 0.50        | 12.70 | 0.63 | 15.88 |              |       |         |       |         |       |         |       |         |        | 1.25    | 31.75 |
|                            | 06         |                                   | 0.63        | 15.88 | 0.75 | 19.05 |              |       |         |       |         |       |         |       |         |        | 1.40    | 35.56 |
|                            | 07         |                                   | 0.75        | 19.05 | 0.88 | 22.23 |              |       |         |       |         |       |         |       |         |        | 1.50    | 38.10 |
| 21                         | 03         | 21 / G                            | 0.25        | 6.35  | 0.38 | 9.53  | 1.55         | 39.37 | 0.93    | 23.62 | 3.66    | 92.96 | 1.06    | 26.92 | 3.93    | 99.82  | 1.10    | 27.94 |
|                            | 04         |                                   | 0.38        | 9.53  | 0.50 | 12.70 |              |       |         |       |         |       |         |       |         |        | 1.20    | 30.48 |
|                            | 05         |                                   | 0.50        | 12.70 | 0.63 | 15.88 |              |       |         |       |         |       |         |       |         |        | 1.25    | 31.75 |
|                            | 06         |                                   | 0.63        | 15.88 | 0.75 | 19.05 |              |       |         |       |         |       |         |       |         |        | 1.40    | 35.56 |
|                            | 07         |                                   | 0.75        | 19.05 | 0.88 | 22.23 |              |       |         |       |         |       |         |       |         |        | 1.50    | 38.10 |
| 23                         | 08         | 23 / H                            | 0.88        | 22.23 | 1.00 | 25.40 | 1.65         | 41.91 | 1.02    | 25.91 | 3.81    | 96.77 | 1.17    | 29.72 | 4.04    | 102.62 | 1.65    | 41.91 |
|                            | 03         |                                   | 0.25        | 6.35  | 0.38 | 9.53  |              |       |         |       |         |       |         |       |         |        | 1.10    | 27.94 |
|                            | 04         |                                   | 0.38        | 9.53  | 0.50 | 12.70 |              |       |         |       |         |       |         |       |         |        | 1.20    | 30.48 |
|                            | 05         |                                   | 0.50        | 12.70 | 0.63 | 15.88 |              |       |         |       |         |       |         |       |         |        | 1.25    | 31.75 |
|                            | 06         |                                   | 0.63        | 15.88 | 0.75 | 19.05 |              |       |         |       |         |       |         |       |         |        | 1.40    | 35.56 |
|                            | 07         |                                   | 0.75        | 19.05 | 0.88 | 22.23 |              |       |         |       |         |       |         |       |         |        | 1.50    | 38.10 |
| 25                         | 08         | 25 / J                            | 0.88        | 22.23 | 1.00 | 25.40 | 1.85         | 46.99 | 1.02    | 25.91 | 3.81    | 96.77 | 1.18    | 29.97 | 4.04    | 102.62 | 1.65    | 41.91 |
|                            | 09         |                                   | 1.00        | 25.40 | 1.13 | 28.58 |              |       |         |       |         |       |         |       |         |        | 1.75    | 44.45 |
|                            | 04         |                                   | 0.38        | 9.53  | 0.50 | 12.70 |              |       |         |       |         |       |         |       |         |        | 1.20    | 30.48 |
|                            | 05         |                                   | 0.50        | 12.70 | 0.63 | 15.88 |              |       |         |       |         |       |         |       |         |        | 1.25    | 31.75 |
|                            | 06         |                                   | 0.63        | 15.88 | 0.75 | 19.05 |              |       |         |       |         |       |         |       |         |        | 1.40    | 35.56 |
|                            | 07         |                                   | 0.75        | 19.05 | 0.88 | 22.23 |              |       |         |       |         |       |         |       |         |        | 1.50    | 38.10 |
|                            | 09         |                                   | 0.88        | 22.23 | 1.00 | 25.40 |              |       |         |       |         |       |         |       |         |        | 1.65    | 41.91 |
| 10                         | 1.13       | 28.58                             | 1.25        | 31.75 | 1.90 | 48.26 |              |       |         |       |         |       |         |       |         |        |         |       |

## STRAIGHT; SELF-LOCK/NON SELF-LOCK

26482 Series II; 5015 (MS345X); 83723 Series III

### MIL Part Number

|        |              |                                  |                          |                             |
|--------|--------------|----------------------------------|--------------------------|-----------------------------|
| M85049 | /31          | -                                | 10                       | W                           |
| Series | Slash Sheet  | Coupling                         | Dash Number<br>(Table A) | Finish<br>(Table 2, pg. 14) |
|        | 31: Straight | S: Self Lock<br>-: Non Self-Lock |                          |                             |



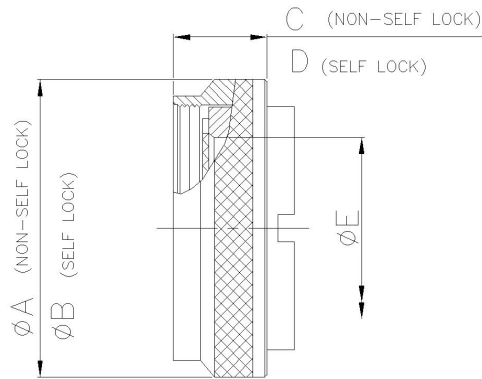
| MIL PART NUMBER DESIGNATOR | CONNECTOR SHELL SIZE | A DIA. (MAX) |       | B DIA. (MAX) |       | C (MAX) |       |
|----------------------------|----------------------|--------------|-------|--------------|-------|---------|-------|
|                            |                      | INCH         | MM    | INCH         | MM    | INCH    | MM    |
| 08                         | 8                    | 0.69         | 17.48 | 0.66         | 16.69 | 0.54    | 13.72 |
| 10                         | 10                   | 0.80         | 20.40 | 0.77         | 19.66 | 0.54    | 13.72 |
| 12                         | 7/12                 | 0.94         | 23.83 | 0.90         | 22.81 | 0.54    | 13.72 |
| 14                         | 12/14                | 1.06         | 27.00 | 1.02         | 26.01 | 0.54    | 13.72 |
| 16                         | 19/16                | 1.24         | 31.45 | 1.15         | 29.26 | 0.54    | 13.72 |
| 18                         | 27/18                | 1.31         | 33.27 | 1.24         | 31.57 | 0.54    | 13.72 |
| 20                         | 37/20                | 1.44         | 36.47 | 1.37         | 34.80 | 0.54    | 13.72 |
| 22                         | 22                   | 1.56         | 39.62 | 1.44         | 36.65 | 0.54    | 13.72 |
| 24                         | 24                   | 1.69         | 42.82 | 1.62         | 41.10 | 0.54    | 13.72 |
| 28                         | 28                   | 2.06         | 52.37 | 1.97         | 50.01 | 0.70    | 17.83 |
| 32                         | 32                   | 2.31         | 58.72 | 2.22         | 56.36 | 0.70    | 17.83 |
| 36                         | 36                   | 2.56         | 65.07 | 2.47         | 62.71 | 0.70    | 17.83 |
| 40                         | 40                   | 2.81         | 71.42 | 2.72         | 69.06 | 0.70    | 17.83 |
| 44                         | 44                   | 3.06         | 77.77 | 2.97         | 75.41 | 0.70    | 17.83 |
| 48                         | 48                   | 3.31         | 84.12 | 3.22         | 81.76 | 0.70    | 17.83 |

## STRAIGHT; SELF-LOCK/NON SELF-LOCK

38999 Series I & Series II

### MIL Part Number

|        |              |                                  |                          |                             |
|--------|--------------|----------------------------------|--------------------------|-----------------------------|
| M85049 | /27          | -                                | 10                       | W                           |
| Series | Slash Sheet  | Coupling                         | Dash Number<br>(Table A) | Finish<br>(Table 2, pg. 14) |
|        | 27: Straight | S: Self Lock<br>-: Non Self-Lock |                          |                             |



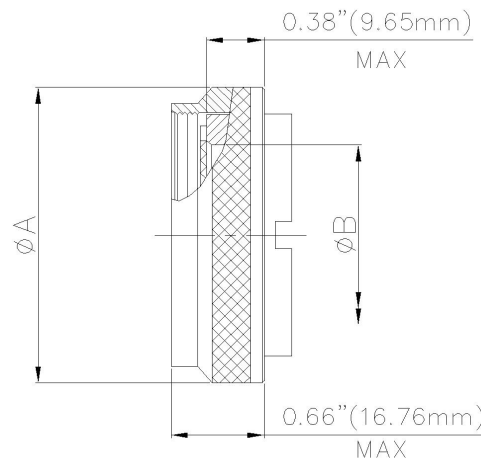
| MIL PART NUMBER<br>DESIGNATOR | CONNECTOR<br>SHELL SIZE<br>SE - II / I | A DIA. (MAX) |       | B DIA. (MAX) |       | C (MAX) |       | D (MAX) |       | E DIA. (MAX) |       |
|-------------------------------|--|--------------|-------|--------------|-------|---------|-------|---------|-------|--------------|-------|
|                               |  | INCH         | MM    | INCH         | MM    | INCH    | MM    | INCH    | MM    | INCH         | MM    |
| DASH NO.                      |  |              |       |              |       |         |       |         |       |              |       |
| 08                            | 8 / 9                                  | 0.75         | 19.05 | 0.86         | 21.82 | 0.54    | 13.72 | 0.59    | 14.99 | 0.27         | 6.86  |
| 10                            | 10 / 11                                | 0.85         | 21.59 | 0.98         | 24.99 | 0.54    | 13.72 | 0.59    | 14.99 | 0.41         | 10.41 |
| 12                            | 12 / 13                                | 1.00         | 25.40 | 1.16         | 29.36 | 0.54    | 13.72 | 0.59    | 14.99 | 0.53         | 13.46 |
| 14                            | 14 / 15                                | 1.10         | 27.94 | 1.28         | 32.54 | 0.54    | 13.72 | 0.59    | 14.99 | 0.65         | 16.51 |
| 16                            | 16 / 17                                | 1.25         | 31.75 | 1.41         | 35.71 | 0.54    | 13.72 | 0.59    | 14.99 | 0.78         | 19.81 |
| 18                            | 18 / 19                                | 1.40         | 35.56 | 1.52         | 38.51 | 0.54    | 13.72 | 0.59    | 14.99 | 0.88         | 22.35 |
| 20                            | 20 / 21                                | 1.50         | 38.10 | 1.64         | 41.68 | 0.54    | 13.72 | 0.59    | 14.99 | 1.01         | 25.65 |
| 22                            | 22 / 23                                | 1.65         | 41.91 | 1.77         | 44.86 | 0.54    | 13.72 | 0.59    | 14.99 | 1.13         | 28.70 |
| 24                            | 24 / 25                                | 1.75         | 44.45 | 1.89         | 48.03 | 0.54    | 13.72 | 0.59    | 14.99 | 1.26         | 32.00 |

## STRAIGHT; SELF-LOCK/NON SELF-LOCK

38999 Series III & Series IV

### MIL Part Number

|        |              |                                  |                          |                             |
|--------|--------------|----------------------------------|--------------------------|-----------------------------|
| M85049 | /14          | -                                | 11                       | W                           |
| Series | Slash Sheet  | Coupling                         | Dash Number<br>(Table A) | Finish<br>(Table 2, pg. 14) |
|        | 14: Straight | S: Self Lock<br>-: Non Self-Lock |                          |                             |



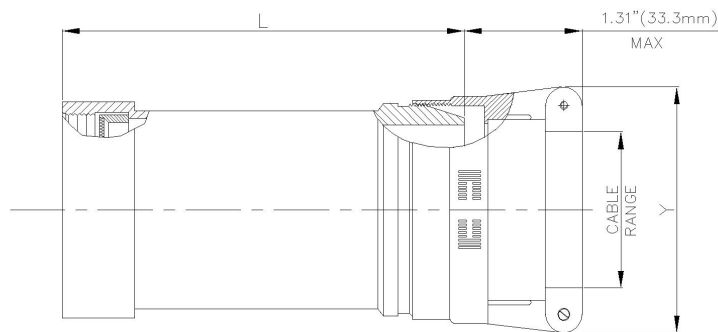
| MIL PART NUMBER DESIGNATOR | CONNECTOR SHELL SIZE/ CODE (REF.) | A DIA.(MAX) |       | B (MAX) |       |
|----------------------------|-----------------------------------|-------------|-------|---------|-------|
|                            |                                   | INCH        | MM    | INCH    | MM    |
| 9                          | 09 / A                            | 0.86        | 21.79 | 0.26    | 6.71  |
| 11                         | 11 / B                            | 0.98        | 24.99 | 0.39    | 9.91  |
| 13                         | 13 / C                            | 1.16        | 29.39 | 0.50    | 12.80 |
| 15                         | 15 / D                            | 1.28        | 32.49 | 0.63    | 16.00 |
| 17                         | 17 / E                            | 1.41        | 35.71 | 0.76    | 19.20 |
| 19                         | 19 / F                            | 1.52        | 38.51 | 0.84    | 21.41 |
| 21                         | 21 / G                            | 1.64        | 41.71 | 0.97    | 24.64 |
| 23                         | 23 / H                            | 1.77        | 44.91 | 1.09    | 27.71 |
| 25                         | 25 / J                            | 1.87        | 47.98 | 1.22    | 30.91 |

## STRAIGHT, DIRECT COUPLING

38999 Series I & Series II

### MIL Part Number

|        |              |                         |                             |                           |                                       |
|--------|--------------|-------------------------|-----------------------------|---------------------------|---------------------------------------|
| M85049 | /29          | 10                      | W                           | 06                        | A                                     |
| Series | Slash Sheet  | Shell Size<br>(Table A) | Finish<br>(Table 2, pg. 14) | Clamp x Size<br>(Table A) | Length<br>(Table A)<br>Omit for "STD" |
|        | 29: Straight |                         |                             |                           |                                       |



| MIL PART NUMBER DESIGNATOR |            |        | CONNECTOR SHELL SIZE SE-II/I | CABLE RANGE |      |       |      | L (MAX) |       | Y (MAX) |       |
|----------------------------|------------|--------|------------------------------|-------------|------|-------|------|---------|-------|---------|-------|
| ACCESSORY SHELL SIZE       | CLAMP SIZE | LENGTH |                              | MIN         |      | MAX   |      | INCH    | MM    | INCH    | MM    |
|                            |            |        |                              | INCH        | MM   | INCH  | MM   |         |       |         |       |
| 08                         | 01         | STD.   | 8 / 9                        | 0.06        | 1.57 | 0.13  | 3.18 | 1.03    | 26.16 | 0.78    | 19.81 |
|                            |            | A      |                              |             |      |       |      | 2.03    | 51.56 |         |       |
|                            | 02         | STD.   |                              | 0.13        | 3.18 | 0.25  | 6.35 | 1.03    | 26.16 | 0.97    | 24.64 |
|                            |            | A      |                              |             |      |       |      | 2.03    | 51.56 |         |       |
| 10                         | 01         | STD.   | 10 / 11                      | 0.06        | 1.57 | 0.13  | 3.18 | 1.03    | 26.16 | 0.78    | 19.81 |
|                            |            | A      |                              |             |      |       |      | 2.03    | 51.56 |         |       |
|                            | 02         | STD.   |                              | 0.13        | 3.18 | 0.25  | 6.35 | 1.03    | 26.16 | 0.97    | 24.64 |
|                            |            | A      |                              |             |      |       |      | 2.03    | 51.56 |         |       |
|                            | 03         | STD.   |                              | 0.25        | 6.35 | 0.38  | 9.53 | 1.03    | 26.16 | 1.06    | 26.92 |
|                            |            | A      |                              |             |      |       |      | 2.03    | 51.56 |         |       |
| 12                         | 02         | STD.   | 12 / 13                      | 0.13        | 3.18 | 0.25  | 6.35 | 1.03    | 26.16 | 0.97    | 24.64 |
|                            |            | A      |                              |             |      |       |      | 2.03    | 51.56 |         |       |
|                            | 03         | STD.   |                              | 0.25        | 6.35 | 0.38  | 9.53 | 1.03    | 26.16 | 1.06    | 26.92 |
|                            |            | A      |                              |             |      |       |      | 2.03    | 51.56 |         |       |
| 14                         | 02         | STD.   | 14 / 15                      | 0.13        | 3.18 | 0.25  | 6.35 | 1.03    | 26.16 | 0.97    | 24.64 |
|                            |            | A      |                              |             |      |       |      | 2.03    | 51.56 |         |       |
|                            | 03         | STD.   |                              | 0.25        | 6.35 | 0.38  | 9.53 | 1.03    | 26.16 | 1.06    | 26.92 |
|                            |            | A      |                              |             |      |       |      | 2.03    | 51.56 |         |       |
| 04                         | STD.       | 0.31   |                              | 7.92        | 0.50 | 12.70 | 1.03 | 26.16   | 1.16  | 29.46   |       |
|                            | A          |        |                              |             |      |       | 2.03 | 51.56   |       |         |       |
| 05                         | STD.       | 0.44   |                              | 11.10       | 0.63 | 15.88 | 1.03 | 26.16   | 1.25  | 31.75   |       |
|                            | A          |        |                              |             |      |       | 2.03 | 51.56   |       |         |       |

Table continued

## STRAIGHT, DIRECT COUPLING 38999 Series I & Series II

| MIL PART NUMBER DESIGNATOR |            |        | CONNECTOR SHELL SIZE SE - II / I | CABLE RANGE |       |      |        | L (MAX) |        | Y (MAX) |       |
|----------------------------|------------|--------|----------------------------------|-------------|-------|------|--------|---------|--------|---------|-------|
| ACCESSORY SHELL SIZE       | CLAMP SIZE | LENGTH |                                  | MIN         |       | MAX  |        | INCH    | MM     | INCH    | MM    |
|                            |            |        |                                  | INCH        | MM    | INCH | MM     |         |        |         |       |
| 16                         | 02         | STD.   | 16 / 17                          | 0.13        | 3.18  | 0.25 | 6.35   | 1.03    | 26.16  | 0.97    | 24.64 |
|                            |            | A      |                                  |             |       |      |        | 2.03    | 51.56  |         |       |
|                            |            | B      |                                  |             |       |      |        | 3.03    | 76.96  |         |       |
|                            | 03         | STD.   |                                  | 0.25        | 6.35  | 0.38 | 9.53   | 1.03    | 26.16  | 1.06    | 26.92 |
|                            |            | A      |                                  |             |       |      |        | 2.03    | 51.56  |         |       |
|                            |            | B      |                                  |             |       |      |        | 3.03    | 76.96  |         |       |
|                            | 04         | STD.   |                                  | 0.31        | 7.92  | 0.50 | 12.70  | 1.03    | 26.16  | 1.16    | 29.46 |
|                            |            | A      |                                  |             |       |      |        | 2.03    | 51.56  |         |       |
|                            |            | B      |                                  |             |       |      |        | 3.03    | 76.96  |         |       |
|                            | 05         | STD.   |                                  | 0.44        | 11.10 | 0.63 | 15.88  | 1.03    | 26.16  | 1.25    | 31.75 |
|                            |            | A      |                                  |             |       |      |        | 2.03    | 51.56  |         |       |
|                            |            | B      |                                  |             |       |      |        | 3.03    | 76.96  |         |       |
| 06                         | STD.       | 0.56   | 14.27                            | 0.75        | 19.05 | 1.03 | 26.16  | 1.38    | 35.05  |         |       |
|                            | A          |        |                                  |             |       | 2.03 | 51.56  |         |        |         |       |
|                            | B          |        |                                  |             |       | 3.03 | 76.96  |         |        |         |       |
| 18                         | 03         | STD.   | 18 / 19                          | 0.25        | 6.35  | 0.38 | 9.53   | 1.03    | 26.16  | 1.06    | 26.92 |
|                            |            | A      |                                  |             |       |      |        | 2.03    | 51.56  |         |       |
|                            |            | B      |                                  |             |       |      |        | 3.03    | 76.96  |         |       |
|                            | 04         | STD.   |                                  | 0.31        | 7.92  | 0.50 | 12.70  | 1.03    | 26.16  | 1.16    | 29.46 |
|                            |            | A      |                                  |             |       |      |        | 2.03    | 51.56  |         |       |
|                            |            | B      |                                  |             |       |      |        | 3.03    | 76.96  |         |       |
|                            | 05         | STD.   |                                  | 0.44        | 11.10 | 0.63 | 15.88  | 1.03    | 26.16  | 1.25    | 31.75 |
|                            |            | A      |                                  |             |       |      |        | 2.03    | 51.56  |         |       |
|                            |            | B      |                                  |             |       |      |        | 3.03    | 76.96  |         |       |
|                            | 06         | STD.   |                                  | 0.56        | 14.27 | 0.75 | 19.05  | 1.03    | 26.16  | 1.38    | 35.05 |
|                            |            | A      |                                  |             |       |      |        | 2.03    | 51.56  |         |       |
|                            |            | B      |                                  |             |       |      |        | 3.03    | 76.96  |         |       |
| 07                         | STD.       | 0.69   | 17.45                            | 0.88        | 22.23 | 1.03 | 26.16  | 1.50    | 38.10  |         |       |
|                            | A          |        |                                  |             |       | 2.03 | 51.56  |         |        |         |       |
|                            | B          |        |                                  |             |       | 3.03 | 76.96  |         |        |         |       |
| 20                         | 03         | STD.   | 20 / 21                          | 0.25        | 6.35  | 0.38 | 9.53   | 1.03    | 26.16  | 1.06    | 26.92 |
|                            |            | A      |                                  |             |       |      |        | 2.03    | 51.56  |         |       |
|                            |            | B      |                                  |             |       |      |        | 3.03    | 76.96  |         |       |
|                            |            | C      |                                  |             |       |      |        | 4.03    | 102.36 |         |       |
|                            | 04         | STD.   |                                  | 0.31        | 7.92  | 0.50 | 12.70  | 1.03    | 26.16  | 1.16    | 29.46 |
|                            |            | A      |                                  |             |       |      |        | 2.03    | 51.56  |         |       |
|                            |            | B      |                                  |             |       |      |        | 3.03    | 76.96  |         |       |
|                            |            | C      |                                  |             |       |      |        | 4.03    | 102.36 |         |       |
|                            | 05         | STD.   |                                  | 0.44        | 11.10 | 0.63 | 15.88  | 1.03    | 26.16  | 1.25    | 31.75 |
|                            |            | A      |                                  |             |       |      |        | 2.03    | 51.56  |         |       |
|                            |            | B      |                                  |             |       |      |        | 3.03    | 76.96  |         |       |
|                            |            | C      |                                  |             |       |      |        | 4.03    | 102.36 |         |       |
|                            | 06         | STD.   |                                  | 0.56        | 14.27 | 0.75 | 19.05  | 1.03    | 26.16  | 1.38    | 35.05 |
|                            |            | A      |                                  |             |       |      |        | 2.03    | 51.56  |         |       |
|                            |            | B      |                                  |             |       |      |        | 3.03    | 76.96  |         |       |
|                            |            | C      |                                  |             |       |      |        | 4.03    | 102.36 |         |       |
|                            | 07         | STD.   |                                  | 0.69        | 17.45 | 0.88 | 22.23  | 1.03    | 26.16  | 1.50    | 38.10 |
|                            |            | A      |                                  |             |       |      |        | 2.03    | 51.56  |         |       |
| B                          |            | 3.03   | 76.96                            |             |       |      |        |         |        |         |       |
| C                          |            | 4.03   | 102.36                           |             |       |      |        |         |        |         |       |
| 08                         | STD.       | 0.81   | 20.62                            | 1.00        | 25.40 | 1.03 | 26.16  | 1.63    | 41.40  |         |       |
|                            | A          |        |                                  |             |       | 2.03 | 51.56  |         |        |         |       |
|                            | B          |        |                                  |             |       | 3.03 | 76.96  |         |        |         |       |
|                            | C          |        |                                  |             |       | 4.03 | 102.36 |         |        |         |       |

Table continued

## STRAIGHT, DIRECT COUPLING

38999 Series I & Series II

| MIL PART NUMBER DESIGNATOR |            |        | CONNECTOR SHELL SIZE SE - II / I | CABLE RANGE |       |      |        | L (MAX) |        | Y (MAX) |       |
|----------------------------|------------|--------|----------------------------------|-------------|-------|------|--------|---------|--------|---------|-------|
| ACCESSORY SHELL SIZE       | CLAMP SIZE | LENGTH |                                  | MIN         |       | MAX  |        | INCH    | MM     | INCH    | MM    |
|                            |            |        |                                  | INCH        | MM    | INCH | MM     |         |        |         |       |
| 22                         | 03         | STD.   | 22 / 23                          | 0.25        | 6.35  | 0.38 | 9.53   | 1.03    | 26.16  | 1.06    | 26.92 |
|                            |            | A      |                                  |             |       |      |        | 2.03    | 51.56  |         |       |
|                            |            | B      |                                  |             |       |      |        | 3.03    | 76.96  |         |       |
|                            |            | C      |                                  |             |       |      |        | 4.03    | 102.36 |         |       |
|                            | 04         | STD.   |                                  | 0.31        | 7.92  | 0.50 | 12.70  | 1.03    | 26.16  | 1.16    | 29.46 |
|                            |            | A      |                                  |             |       |      |        | 2.03    | 51.56  |         |       |
|                            |            | B      |                                  |             |       |      |        | 3.03    | 76.96  |         |       |
|                            |            | C      |                                  |             |       |      |        | 4.03    | 102.36 |         |       |
|                            | 05         | STD.   |                                  | 0.44        | 11.10 | 0.63 | 15.88  | 1.03    | 26.16  | 1.25    | 31.75 |
|                            |            | A      |                                  |             |       |      |        | 2.03    | 51.56  |         |       |
|                            |            | B      |                                  |             |       |      |        | 3.03    | 76.96  |         |       |
|                            |            | C      |                                  |             |       |      |        | 4.03    | 102.36 |         |       |
|                            | 06         | STD.   |                                  | 0.56        | 14.27 | 0.75 | 19.05  | 1.03    | 26.16  | 1.38    | 35.05 |
|                            |            | A      |                                  |             |       |      |        | 2.03    | 51.56  |         |       |
|                            |            | B      |                                  |             |       |      |        | 3.03    | 76.96  |         |       |
|                            |            | C      |                                  |             |       |      |        | 4.03    | 102.36 |         |       |
|                            | 07         | STD.   |                                  | 0.69        | 17.45 | 0.88 | 22.23  | 1.03    | 26.16  | 1.50    | 38.10 |
|                            |            | A      |                                  |             |       |      |        | 2.03    | 51.56  |         |       |
|                            |            | B      |                                  |             |       |      |        | 3.03    | 76.96  |         |       |
|                            |            | C      |                                  |             |       |      |        | 4.03    | 102.36 |         |       |
|                            | 08         | STD.   |                                  | 0.81        | 20.62 | 1.00 | 25.40  | 1.03    | 26.16  | 1.63    | 41.40 |
|                            |            | A      |                                  |             |       |      |        | 2.03    | 51.56  |         |       |
|                            |            | B      |                                  |             |       |      |        | 3.03    | 76.96  |         |       |
|                            |            | C      |                                  |             |       |      |        | 4.03    | 102.36 |         |       |
| 09                         | STD.       | 0.94   | 23.80                            | 1.13        | 28.58 | 1.03 | 26.16  | 1.75    | 44.45  |         |       |
|                            | A          |        |                                  |             |       | 2.03 | 51.56  |         |        |         |       |
|                            | B          |        |                                  |             |       | 3.03 | 76.96  |         |        |         |       |
|                            | C          |        |                                  |             |       | 4.03 | 102.36 |         |        |         |       |
| 24                         | 04         | STD.   | 24 / 25                          | 0.31        | 7.92  | 0.50 | 12.70  | 1.03    | 26.16  | 1.16    | 29.46 |
|                            |            | A      |                                  |             |       |      |        | 2.03    | 51.56  |         |       |
|                            |            | B      |                                  |             |       |      |        | 3.03    | 76.96  |         |       |
|                            |            | C      |                                  |             |       |      |        | 4.03    | 102.36 |         |       |
|                            | 05         | STD.   |                                  | 0.44        | 11.10 | 0.63 | 15.88  | 1.03    | 26.16  | 1.25    | 31.75 |
|                            |            | A      |                                  |             |       |      |        | 2.03    | 51.56  |         |       |
|                            |            | B      |                                  |             |       |      |        | 3.03    | 76.96  |         |       |
|                            |            | C      |                                  |             |       |      |        | 4.03    | 102.36 |         |       |
|                            | 06         | STD.   |                                  | 0.56        | 14.27 | 0.75 | 19.05  | 1.03    | 26.16  | 1.38    | 35.05 |
|                            |            | A      |                                  |             |       |      |        | 2.03    | 51.56  |         |       |
|                            |            | B      |                                  |             |       |      |        | 3.03    | 76.96  |         |       |
|                            |            | C      |                                  |             |       |      |        | 4.03    | 102.36 |         |       |
|                            | 07         | STD.   |                                  | 0.69        | 17.45 | 0.88 | 22.23  | 1.03    | 26.16  | 1.50    | 38.10 |
|                            |            | A      |                                  |             |       |      |        | 2.03    | 51.56  |         |       |
|                            |            | B      |                                  |             |       |      |        | 3.03    | 76.96  |         |       |
|                            |            | C      |                                  |             |       |      |        | 4.03    | 102.36 |         |       |
|                            | 08         | STD.   |                                  | 0.81        | 20.62 | 1.00 | 25.40  | 1.03    | 26.16  | 1.63    | 41.40 |
|                            |            | A      |                                  |             |       |      |        | 2.03    | 51.56  |         |       |
|                            |            | B      |                                  |             |       |      |        | 3.03    | 76.96  |         |       |
|                            |            | C      |                                  |             |       |      |        | 4.03    | 102.36 |         |       |
|                            | 09         | STD.   |                                  | 0.94        | 23.80 | 1.13 | 28.58  | 1.03    | 26.16  | 1.75    | 44.45 |
|                            |            | A      |                                  |             |       |      |        | 2.03    | 51.56  |         |       |
|                            |            | B      |                                  |             |       |      |        | 3.03    | 76.96  |         |       |
|                            |            | C      |                                  |             |       |      |        | 4.03    | 102.36 |         |       |
| 10                         | STD.       | 1.06   | 26.97                            | 1.25        | 31.75 | 1.03 | 26.16  | 1.88    | 47.75  |         |       |
|                            | A          |        |                                  |             |       | 2.03 | 51.56  |         |        |         |       |
|                            | B          |        |                                  |             |       | 3.03 | 76.96  |         |        |         |       |
|                            | C          |        |                                  |             |       | 4.03 | 102.36 |         |        |         |       |

## STRAIGHT, SPIN COUPLING

38999 Series III, IV

### MIL Part Number

|        |              |                         |                             |                           |                                       |
|--------|--------------|-------------------------|-----------------------------|---------------------------|---------------------------------------|
| M85049 | /21          | 11                      | W                           | 02                        | A                                     |
| Series | Slash Sheet  | Shell Size<br>(Table A) | Finish<br>(Table 2, pg. 14) | Clamp x Size<br>(Table A) | Length<br>(Table A)<br>Omit for "STD" |
|        | 21: Straight |                         |                             |                           |                                       |

\*Example shown on pg. 5 (M85049/211W02A)

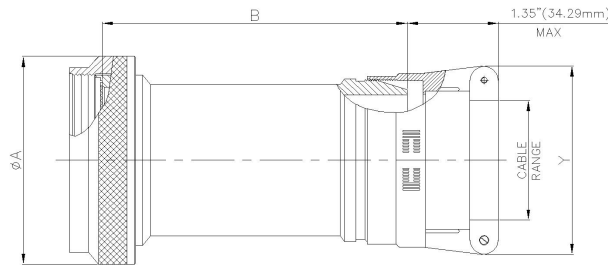


TABLE - A

| MIL PART NUMBER DESIGNATOR |            |        | CONNECTOR SHELL<br>SIZE/CODE (REF.) | CABLE RANGE |       |      |       | A DIA. (MAX) |       | B (MAX) |       | Y (MAX) |       |
|----------------------------|------------|--------|-------------------------------------|-------------|-------|------|-------|--------------|-------|---------|-------|---------|-------|
| CONNECTOR<br>SHELL SIZE    | CLAMP SIZE | LENGTH |                                     | MIN         |       | MAX  |       | INCH         | MM    | INCH    | MM    | INCH    | MM    |
|                            |            |        |                                     | INCH        | MM    | INCH | MM    |              |       |         |       |         |       |
| 9                          | 01         | STD.   | 09 / A                              | 0.06        | 1.57  | 0.13 | 3.18  | 0.75         | 19.05 | 1.53    | 38.86 | 0.80    | 20.32 |
|                            |            | A      |                                     |             |       |      |       |              |       | 2.53    | 64.26 |         |       |
|                            | 02         | STD.   |                                     | 0.13        | 3.18  | 0.25 | 6.35  |              |       | 1.53    | 38.86 | 1.00    | 25.40 |
|                            |            | A      |                                     | 2.53        | 64.26 |      |       |              |       |         |       |         |       |
| 11                         | 01         | STD.   | 11 / B                              | 0.06        | 1.57  | 0.13 | 3.18  | 0.85         | 21.59 | 1.53    | 38.86 | 0.80    | 20.32 |
|                            |            | A      |                                     |             |       |      |       |              |       | 2.53    | 64.26 |         |       |
|                            | 02         | STD.   |                                     | 0.13        | 3.18  | 0.25 | 6.35  |              |       | 1.53    | 38.86 | 1.00    | 25.40 |
|                            |            | A      |                                     | 2.53        | 64.26 |      |       |              |       |         |       |         |       |
|                            | 03         | STD.   |                                     | 0.25        | 6.35  | 0.38 | 9.53  |              |       | 1.53    | 38.86 | 1.10    | 27.94 |
|                            |            | A      |                                     | 2.53        | 64.26 |      |       |              |       |         |       |         |       |
| B                          |            | 3.53   | 89.66                               |             |       |      |       |              |       |         |       |         |       |
| B                          |            | 1.53   | 38.86                               |             |       |      |       |              |       |         |       |         |       |
| 13                         | 02         | STD.   | 13 / C                              | 0.13        | 3.18  | 0.25 | 6.35  | 1.00         | 25.40 | 1.53    | 38.86 | 1.00    | 25.40 |
|                            |            | A      |                                     |             |       |      |       |              |       | 2.53    | 64.26 |         |       |
|                            | 03         | STD.   |                                     | 0.25        | 6.35  | 0.38 | 9.53  |              |       | 1.53    | 38.86 | 1.10    | 27.94 |
|                            |            | A      |                                     | 2.53        | 64.26 |      |       |              |       |         |       |         |       |
|                            | 04         | STD.   |                                     | 0.31        | 7.92  | 0.50 | 12.70 |              |       | 1.53    | 38.86 | 1.20    | 30.48 |
|                            |            | A      |                                     | 2.53        | 64.26 |      |       |              |       |         |       |         |       |
| 15                         | 02         | STD.   | 15 / D                              | 0.13        | 3.18  | 0.25 | 6.35  | 1.10         | 27.94 | 1.53    | 38.86 | 1.00    | 25.40 |
|                            |            | A      |                                     |             |       |      |       |              |       | 2.53    | 64.26 |         |       |
|                            |            | B      |                                     |             |       |      |       |              |       | 3.53    | 89.66 |         |       |
|                            |            | B      |                                     |             |       |      |       |              |       | 1.53    | 38.86 |         |       |
|                            | 03         | STD.   |                                     | 0.25        | 6.35  | 0.38 | 9.53  |              |       | 2.53    | 64.26 | 1.10    | 27.94 |
|                            |            | A      |                                     | 3.53        | 89.66 |      |       |              |       |         |       |         |       |
|                            |            | B      |                                     | 1.53        | 38.86 |      |       |              |       |         |       |         |       |
|                            |            | B      |                                     | 3.53        | 89.66 |      |       |              |       |         |       |         |       |
|                            | 04         | STD.   |                                     | 0.31        | 7.92  | 0.50 | 12.70 |              |       | 1.53    | 38.86 | 1.20    | 30.48 |
|                            |            | A      |                                     | 2.53        | 64.26 |      |       |              |       |         |       |         |       |
|                            |            | B      |                                     | 3.53        | 89.66 |      |       |              |       |         |       |         |       |
|                            |            | B      |                                     | 1.53        | 38.86 |      |       |              |       |         |       |         |       |
| 05                         | STD.       | 0.44   | 11.10                               | 0.63        | 15.88 | 2.53 | 64.26 | 1.25         | 31.75 |         |       |         |       |
|                            | A          | 3.53   | 89.66                               |             |       |      |       |              |       |         |       |         |       |
|                            | B          | 1.53   | 38.86                               |             |       |      |       |              |       |         |       |         |       |
|                            | B          | 3.53   | 89.66                               |             |       |      |       |              |       |         |       |         |       |
| 17                         | 02         | STD.   | 17 / E                              | 0.13        | 3.18  | 0.25 | 6.35  | 1.25         | 31.75 | 1.53    | 38.86 | 1.00    | 25.40 |
|                            |            | A      |                                     |             |       |      |       |              |       | 2.53    | 64.26 |         |       |
|                            |            | B      |                                     |             |       |      |       |              |       | 3.53    | 89.66 |         |       |
|                            |            | B      |                                     |             |       |      |       |              |       | 1.53    | 38.86 |         |       |
|                            | 03         | STD.   |                                     | 0.25        | 6.35  | 0.38 | 9.53  |              |       | 2.53    | 64.26 | 1.10    | 27.94 |
|                            |            | A      |                                     | 3.53        | 89.66 |      |       |              |       |         |       |         |       |
|                            |            | B      |                                     | 1.53        | 38.86 |      |       |              |       |         |       |         |       |
|                            |            | B      |                                     | 3.53        | 89.66 |      |       |              |       |         |       |         |       |
|                            | 04         | STD.   |                                     | 0.31        | 7.92  | 0.50 | 12.70 |              |       | 1.53    | 38.86 | 1.20    | 30.48 |
|                            |            | A      |                                     | 2.53        | 64.26 |      |       |              |       |         |       |         |       |
|                            |            | B      |                                     | 3.53        | 89.66 |      |       |              |       |         |       |         |       |
|                            |            | B      |                                     | 1.53        | 38.86 |      |       |              |       |         |       |         |       |

Table continued



## STRAIGHT, SPIN COUPLING 38999 Series III, IV

| TABLE – A, Cont.           |            |        |                                     |             |        |      |       |              |       |         |       |         |       |      |        |      |       |
|----------------------------|------------|--------|-------------------------------------|-------------|--------|------|-------|--------------|-------|---------|-------|---------|-------|------|--------|------|-------|
| MIL PART NUMBER DESIGNATOR |            |        | CONNECTOR SHELL<br>SIZE/CODE (REF.) | CABLE RANGE |        |      |       | A DIA. (MAX) |       | B (MAX) |       | Y (MAX) |       |      |        |      |       |
| CONNECTOR SHELL SIZE       | CLAMP SIZE | LENGTH |                                     | MIN         |        | MAX  |       | INCH         | MM    | INCH    | MM    | INCH    | MM    |      |        |      |       |
|                            |            |        |                                     | INCH        | MM     | INCH | MM    |              |       |         |       |         |       |      |        |      |       |
| 17, cont.                  | 05         | STD.   | 17/E                                | 0.44        | 11.10  | 0.63 | 15.88 | 1.25         | 31.75 | 1.53    | 38.86 | 1.25    | 31.75 |      |        |      |       |
|                            |            | A      |                                     |             |        |      |       |              |       | 2.53    | 64.26 |         |       |      |        |      |       |
|                            |            | B      |                                     |             |        |      |       |              |       | 3.53    | 89.66 |         |       |      |        |      |       |
|                            | 06         | STD.   |                                     | 0.56        | 14.27  | 0.75 | 19.05 |              |       | 1.53    | 38.86 | 1.40    | 35.56 |      |        |      |       |
|                            |            | A      |                                     |             |        |      |       |              |       | 2.53    | 64.26 |         |       |      |        |      |       |
|                            |            | B      |                                     |             |        |      |       |              |       | 3.53    | 89.66 |         |       |      |        |      |       |
| 19                         | 03         | STD.   | 19 / F                              | 0.25        | 6.35   | 0.38 | 9.53  | 1.40         | 35.56 | 1.53    | 38.86 | 1.10    | 27.94 |      |        |      |       |
|                            |            | A      |                                     |             |        |      |       |              |       | 2.53    | 64.26 |         |       |      |        |      |       |
|                            |            | B      |                                     |             |        |      |       |              |       | 3.53    | 89.66 |         |       |      |        |      |       |
|                            | 04         | STD.   |                                     | 0.31        | 7.92   | 0.50 | 12.70 |              |       | 1.53    | 38.86 | 1.20    | 30.48 |      |        |      |       |
|                            |            | A      |                                     |             |        |      |       |              |       | 2.53    | 64.26 |         |       |      |        |      |       |
|                            |            | B      |                                     |             |        |      |       |              |       | 3.53    | 89.66 |         |       |      |        |      |       |
|                            | 05         | STD.   |                                     | 0.44        | 11.10  | 0.63 | 15.88 |              |       | 1.53    | 38.86 | 1.25    | 31.75 |      |        |      |       |
|                            |            | A      |                                     |             |        |      |       |              |       | 2.53    | 64.26 |         |       |      |        |      |       |
|                            |            | B      |                                     |             |        |      |       |              |       | 3.53    | 89.66 |         |       |      |        |      |       |
|                            | 06         | STD.   |                                     | 0.56        | 14.27  | 0.75 | 19.05 |              |       | 1.53    | 38.86 | 1.40    | 35.56 |      |        |      |       |
|                            |            | A      |                                     |             |        |      |       |              |       | 2.53    | 64.26 |         |       |      |        |      |       |
|                            |            | B      |                                     |             |        |      |       |              |       | 3.53    | 89.66 |         |       |      |        |      |       |
|                            | 07         | STD.   |                                     | 0.69        | 17.45  | 0.88 | 22.23 |              |       | 1.53    | 38.86 | 1.50    | 38.10 |      |        |      |       |
|                            |            | A      |                                     |             |        |      |       |              |       | 2.53    | 64.26 |         |       |      |        |      |       |
|                            |            | B      |                                     |             |        |      |       |              |       | 3.53    | 89.66 |         |       |      |        |      |       |
|                            | 21         | 03     |                                     | STD.        | 21 / G | 0.25 | 6.35  |              |       | 0.38    | 9.53  | 1.50    | 38.10 | 1.53 | 38.86  | 1.10 | 27.94 |
|                            |            |        |                                     | A           |        |      |       |              |       |         |       |         |       | 2.53 | 64.26  |      |       |
|                            |            |        |                                     | B           |        |      |       |              |       |         |       |         |       | 3.53 | 89.66  |      |       |
| 04                         |            | STD.   | 0.31                                | 7.92        |        | 0.50 | 12.70 | 1.53         | 38.86 | 1.20    | 30.48 |         |       |      |        |      |       |
|                            |            | A      |                                     |             |        |      |       | 2.53         | 64.26 |         |       |         |       |      |        |      |       |
|                            |            | B      |                                     |             |        |      |       | 3.53         | 89.66 |         |       |         |       |      |        |      |       |
| 05                         |            | STD.   | 0.44                                | 11.10       |        | 0.63 | 15.88 | 1.53         | 38.86 | 1.25    | 31.75 |         |       |      |        |      |       |
|                            |            | A      |                                     |             |        |      |       | 2.53         | 64.26 |         |       |         |       |      |        |      |       |
|                            |            | B      |                                     |             |        |      |       | 3.53         | 89.66 |         |       |         |       |      |        |      |       |
| 06                         |            | STD.   | 0.56                                | 14.27       |        | 0.75 | 19.05 | 1.53         | 38.86 | 1.40    | 35.56 |         |       |      |        |      |       |
|                            |            | A      |                                     |             |        |      |       | 2.53         | 64.26 |         |       |         |       |      |        |      |       |
|                            |            | B      |                                     |             |        |      |       | 3.53         | 89.66 |         |       |         |       |      |        |      |       |
| 07                         |            | STD.   | 0.69                                | 17.45       |        | 0.88 | 22.23 | 1.53         | 38.86 | 1.50    | 38.10 |         |       |      |        |      |       |
|                            |            | A      |                                     |             |        |      |       | 2.53         | 64.26 |         |       |         |       |      |        |      |       |
|                            |            | B      |                                     |             |        |      |       | 3.53         | 89.66 |         |       |         |       |      |        |      |       |
| 08                         |            | STD.   | 0.81                                | 20.62       |        | 1.00 | 25.40 | 1.53         | 38.86 | 1.65    | 41.91 |         |       |      |        |      |       |
|                            |            | A      |                                     |             |        |      |       | 2.53         | 64.26 |         |       |         |       |      |        |      |       |
|                            |            | B      |                                     |             |        |      |       | 3.53         | 89.66 |         |       |         |       |      |        |      |       |
| 23                         |            | 03     | STD.                                | 23 / H      |        | 0.25 | 6.35  | 0.38         | 9.53  | 1.65    | 41.91 |         |       | 1.53 | 38.86  | 1.10 | 27.94 |
|                            |            |        | A                                   |             |        |      |       |              |       |         |       |         |       | 2.53 | 64.26  |      |       |
|                            |            |        | B                                   |             |        |      |       |              |       |         |       |         |       | 3.53 | 89.66  |      |       |
|                            |            |        | C                                   |             |        |      |       |              |       |         |       |         |       | 4.53 | 115.06 |      |       |

Table continued

## STRAIGHT, SPIN COUPLING 38999 Series III, IV

**TABLE – A**

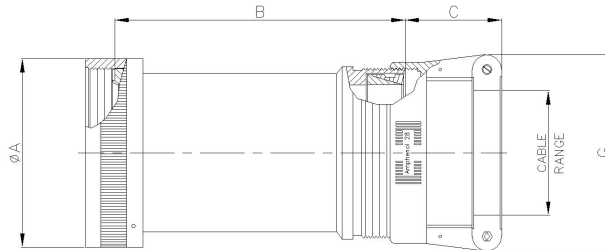
| MIL PART NUMBER DESIGNATOR |            |        | CONNECTOR SHELL<br>SIZE/CODE (REF.) | CABLE RANGE |       |      |       | A DIA. (MAX) |        | B (MAX) |       | Y (MAX) |        |
|----------------------------|------------|--------|-------------------------------------|-------------|-------|------|-------|--------------|--------|---------|-------|---------|--------|
| CONNECTOR SHELL<br>SIZE    | CLAMP SIZE | LENGTH |                                     | MIN         |       | MAX  |       | INCH         | MM     | INCH    | MM    | INCH    | MM     |
|                            |            |        |                                     | INCH        | MM    | INCH | MM    |              |        |         |       |         |        |
| 23, cont.                  | 04         | STD.   | 23 / H                              | 0.31        | 7.92  | 0.50 | 12.70 | 1.65         | 41.91  | 1.20    | 30.48 | 1.53    | 38.86  |
|                            |            | A      |                                     |             |       |      |       |              |        |         |       | 2.53    | 64.26  |
|                            |            | B      |                                     |             |       |      |       |              |        |         |       | 3.53    | 89.66  |
|                            |            | C      |                                     |             |       |      |       |              |        |         |       | 4.53    | 115.06 |
|                            | 05         | STD.   |                                     | 0.44        | 11.10 | 0.63 | 15.88 |              |        | 1.25    | 31.75 | 1.53    | 38.86  |
|                            |            | A      |                                     |             |       |      |       |              |        |         |       | 2.53    | 64.26  |
|                            |            | B      |                                     |             |       |      |       |              |        |         |       | 3.53    | 89.66  |
|                            |            | C      |                                     |             |       |      |       |              |        |         |       | 4.53    | 115.06 |
|                            | 06         | STD.   |                                     | 0.56        | 14.27 | 0.75 | 19.05 |              |        | 1.40    | 35.56 | 1.53    | 38.86  |
|                            |            | A      |                                     |             |       |      |       |              |        |         |       | 2.53    | 64.26  |
|                            |            | B      |                                     |             |       |      |       |              |        |         |       | 3.53    | 89.66  |
|                            |            | C      |                                     |             |       |      |       |              |        |         |       | 4.53    | 115.06 |
|                            | 07         | STD.   |                                     | 0.69        | 17.45 | 0.88 | 22.23 |              |        | 1.50    | 38.10 | 1.53    | 38.86  |
|                            |            | A      |                                     |             |       |      |       |              |        |         |       | 2.53    | 64.26  |
|                            |            | B      |                                     |             |       |      |       |              |        |         |       | 3.53    | 89.66  |
|                            |            | C      |                                     |             |       |      |       |              |        |         |       | 4.53    | 115.06 |
|                            | 08         | STD.   |                                     | 0.81        | 20.62 | 1.00 | 25.40 |              |        | 1.65    | 41.91 | 1.53    | 38.86  |
|                            |            | A      |                                     |             |       |      |       |              |        |         |       | 2.53    | 64.26  |
|                            |            | B      |                                     |             |       |      |       |              |        |         |       | 3.53    | 89.66  |
|                            |            | C      |                                     |             |       |      |       |              |        |         |       | 4.53    | 115.06 |
|                            | 09         | STD.   |                                     | 0.94        | 23.80 | 1.13 | 28.58 |              |        | 1.75    | 44.45 | 1.53    | 38.86  |
|                            |            | A      |                                     |             |       |      |       |              |        |         |       | 2.53    | 64.26  |
|                            |            | B      |                                     |             |       |      |       |              |        |         |       | 3.53    | 89.66  |
|                            |            | C      |                                     |             |       |      |       |              |        |         |       | 4.53    | 115.06 |
| 25                         | 04         | STD.   | 25 / J                              | 0.31        | 7.92  | 0.50 | 12.70 | 1.75         | 44.45  | 1.20    | 30.48 | 1.53    | 38.86  |
|                            |            | A      |                                     |             |       |      |       |              |        |         |       | 2.53    | 64.26  |
|                            |            | B      |                                     |             |       |      |       |              |        |         |       | 3.53    | 89.66  |
|                            |            | C      |                                     |             |       |      |       |              |        |         |       | 4.53    | 115.06 |
|                            | 05         | STD.   |                                     | 0.44        | 11.10 | 0.63 | 15.88 |              |        | 1.25    | 31.75 | 1.53    | 38.86  |
|                            |            | A      |                                     |             |       |      |       |              |        |         |       | 2.53    | 64.26  |
|                            |            | B      |                                     |             |       |      |       |              |        |         |       | 3.53    | 89.66  |
|                            |            | C      |                                     |             |       |      |       |              |        |         |       | 4.53    | 115.06 |
|                            | 06         | STD.   |                                     | 0.56        | 14.27 | 0.75 | 19.05 |              |        | 1.40    | 35.56 | 1.53    | 38.86  |
|                            |            | A      |                                     |             |       |      |       |              |        |         |       | 2.53    | 64.26  |
|                            |            | B      |                                     |             |       |      |       |              |        |         |       | 3.53    | 89.66  |
|                            |            | C      |                                     |             |       |      |       |              |        |         |       | 4.53    | 115.06 |
|                            | 07         | STD.   |                                     | 0.69        | 17.45 | 0.88 | 22.23 |              |        | 1.50    | 38.10 | 1.53    | 38.86  |
|                            |            | A      |                                     |             |       |      |       |              |        |         |       | 2.53    | 64.26  |
|                            |            | B      |                                     |             |       |      |       |              |        |         |       | 3.53    | 89.66  |
|                            |            | C      |                                     |             |       |      |       |              |        |         |       | 4.53    | 115.06 |
|                            | 08         | STD.   |                                     | 0.81        | 20.62 | 1.00 | 25.40 |              |        | 1.65    | 41.91 | 1.53    | 38.86  |
|                            |            | A      |                                     |             |       |      |       |              |        |         |       | 2.53    | 64.26  |
|                            |            | B      |                                     |             |       |      |       |              |        |         |       | 3.53    | 89.66  |
|                            |            | C      |                                     |             |       |      |       |              |        |         |       | 4.53    | 115.06 |
|                            | 09         | STD.   |                                     | 0.94        | 23.80 | 1.13 | 28.58 |              |        | 1.75    | 44.45 | 1.53    | 38.86  |
|                            |            | A      |                                     |             |       |      |       |              |        |         |       | 2.53    | 64.26  |
|                            |            | B      |                                     |             |       |      |       |              |        |         |       | 3.53    | 89.66  |
|                            |            | C      |                                     |             |       |      |       |              |        |         |       | 4.53    | 115.06 |
| 10                         | STD.       | 1.06   | 26.97                               | 1.25        | 31.75 | 1.90 | 48.26 | 1.53         | 38.86  |         |       |         |        |
|                            | A          |        |                                     |             |       |      |       | 2.53         | 64.26  |         |       |         |        |
|                            | B          |        |                                     |             |       |      |       | 3.53         | 89.66  |         |       |         |        |
|                            | C          |        |                                     |             |       |      |       | 4.53         | 115.06 |         |       |         |        |

## STRAIGHT, SPIN COUPLING

26482 Series II; 5015 (MS345X); 83723 Series III

### MIL Part Number

|        |                            |                          |                             |
|--------|----------------------------|--------------------------|-----------------------------|
| M85049 | /25                        | -102                     | W                           |
| Series | Slash Sheet                | Dash Number<br>(Table A) | Finish<br>(Table 2, pg. 14) |
|        | 25 :Straight Spin Coupling |                          |                             |



| MIL PART NUMBER DESIGNATOR |         | CONNECTOR SHELL SIZE | TABLE-A      |       |         |       |               |       |               |       |             |       |          |       |
|----------------------------|---------|----------------------|--------------|-------|---------|-------|---------------|-------|---------------|-------|-------------|-------|----------|-------|
| SHELL SIZE                 | DASH NO |                      | A DIA. (MAX) |       | B (MAX) |       | C (REF) L MAX |       | G (MAX) L MAX |       | CABLE RANGE |       |          |       |
|                            |         |                      | INCH         | MM    | INCH    | MM    | INCH          | MM    | INCH          | MM    | MIN WIRE    |       | MAX WIRE |       |
|                            |         |                      |              |       |         |       |               |       |               | INCH  | MM          | INCH  | MM       |       |
| 8                          | 05      | 8                    | 0.62         | 15.67 | 2.13    | 54.10 | 1.03          | 26.09 | 0.96          | 24.31 | 0.13        | 3.18  | 0.25     | 6.35  |
|                            | 06      |                      | 0.62         | 15.67 | 3.13    | 79.50 | 1.03          | 26.09 | 0.96          | 24.31 | 0.13        | 3.18  | 0.25     | 6.35  |
|                            | 07*     |                      | 0.62         | 15.67 | 2.88    | 73.15 | 1.03          | 26.09 | 1.15          | 29.08 | 0.25        | 6.35  | 0.44     | 11.10 |
|                            | 08*     |                      | 0.62         | 15.67 | 3.88    | 98.55 | 1.03          | 26.09 | 1.15          | 29.08 | 0.25        | 6.35  | 0.44     | 11.10 |
| 10                         | 09      | 10                   | 0.73         | 18.64 | 2.13    | 54.10 | 1.03          | 26.09 | 0.96          | 24.31 | 0.13        | 3.18  | 0.31     | 7.92  |
|                            | 10      |                      | 0.73         | 18.64 | 3.13    | 79.50 | 1.03          | 26.09 | 0.96          | 24.31 | 0.13        | 3.18  | 0.31     | 7.92  |
|                            | 11*     |                      | 0.73         | 18.64 | 2.88    | 73.15 | 1.03          | 26.09 | 1.15          | 29.08 | 0.25        | 6.35  | 0.44     | 11.10 |
|                            | 12*     |                      | 0.73         | 18.64 | 3.88    | 98.55 | 1.03          | 26.09 | 1.15          | 29.08 | 0.25        | 6.35  | 0.44     | 11.10 |
|                            | 136     |                      | 0.73         | 18.64 | 2.13    | 54.10 | 1.03          | 26.09 | 1.15          | 29.08 | 0.25        | 6.35  | 0.38     | 9.53  |
|                            | 137     |                      | 0.73         | 18.64 | 3.13    | 79.50 | 1.03          | 26.09 | 1.15          | 29.08 | 0.25        | 6.35  | 0.38     | 9.53  |
| 12                         | 13      | 7/12                 | 0.86         | 21.79 | 2.13    | 54.10 | 1.03          | 26.09 | 1.15          | 29.08 | 0.25        | 6.35  | 0.44     | 11.10 |
|                            | 14      |                      | 0.86         | 21.79 | 3.13    | 79.50 | 1.03          | 26.09 | 1.15          | 29.08 | 0.25        | 6.35  | 0.44     | 11.10 |
|                            | 15*     |                      | 0.86         | 21.79 | 2.88    | 73.15 | 1.03          | 26.09 | 1.33          | 33.83 | 0.35        | 8.89  | 0.63     | 15.88 |
|                            | 16*     |                      | 0.86         | 21.79 | 3.88    | 98.55 | 1.03          | 26.09 | 1.33          | 33.83 | 0.35        | 8.89  | 0.63     | 15.88 |
|                            | 111     |                      | 0.86         | 21.79 | 2.13    | 54.10 | 1.03          | 26.09 | 1.33          | 33.83 | 0.35        | 8.89  | 0.50     | 12.70 |
|                            | 114     |                      | 0.86         | 21.79 | 2.13    | 54.10 | 1.03          | 26.09 | 0.96          | 24.31 | 0.13        | 3.18  | 0.31     | 7.92  |
|                            | 115     |                      | 0.86         | 21.79 | 3.13    | 79.50 | 1.03          | 26.09 | 0.96          | 24.31 | 0.13        | 3.18  | 0.31     | 7.92  |
|                            | 138     |                      | 0.86         | 21.79 | 2.13    | 54.10 | 1.03          | 26.09 | 1.33          | 33.83 | 0.35        | 8.89  | 0.50     | 12.70 |
| 14                         | 17      | 12/14                | 0.98         | 24.99 | 2.13    | 54.10 | 1.03          | 26.09 | 1.33          | 33.83 | 0.35        | 8.89  | 0.58     | 14.61 |
|                            | 18      |                      | 0.98         | 24.99 | 3.13    | 79.50 | 1.03          | 26.09 | 1.33          | 33.83 | 0.35        | 8.89  | 0.58     | 14.61 |
|                            | 19*     |                      | 0.98         | 24.99 | 2.88    | 73.15 | 1.06          | 26.90 | 1.55          | 39.40 | 0.50        | 12.70 | 0.75     | 19.05 |
|                            | 20*     |                      | 0.98         | 24.99 | 3.88    | 98.55 | 1.06          | 26.90 | 1.55          | 39.40 | 0.50        | 12.70 | 0.75     | 19.05 |
|                            | 116     |                      | 0.98         | 24.99 | 2.13    | 54.10 | 1.03          | 26.09 | 1.15          | 29.08 | 0.25        | 6.35  | 0.44     | 11.10 |
|                            | 117     |                      | 0.98         | 24.99 | 3.13    | 79.50 | 1.03          | 26.09 | 1.15          | 29.08 | 0.25        | 6.35  | 0.44     | 11.10 |
|                            | 150     |                      | 0.98         | 24.99 | 2.13    | 54.10 | 1.03          | 26.09 | 0.96          | 24.31 | 0.13        | 3.18  | 0.31     | 7.92  |
|                            | 151     |                      | 0.98         | 24.99 | 3.13    | 79.50 | 1.03          | 26.09 | 0.96          | 24.31 | 0.13        | 3.18  | 0.31     | 7.92  |
| 16                         | 21      | 19/16                | 1.11         | 28.24 | 2.13    | 54.10 | 1.06          | 26.90 | 1.55          | 39.40 | 0.50        | 12.70 | 0.70     | 17.78 |
|                            | 22      |                      | 1.11         | 28.24 | 3.13    | 79.50 | 1.06          | 26.90 | 1.55          | 39.40 | 0.50        | 12.70 | 0.70     | 17.78 |
|                            | 23*     |                      | 1.11         | 28.24 | 2.88    | 73.15 | 1.16          | 29.36 | 1.77          | 44.96 | 0.63        | 15.88 | 0.94     | 23.80 |
|                            | 24*     |                      | 1.11         | 28.24 | 3.88    | 98.55 | 1.16          | 29.36 | 1.77          | 44.96 | 0.63        | 15.88 | 0.94     | 23.80 |
|                            | 112     |                      | 1.11         | 28.24 | 2.13    | 54.10 | 1.03          | 26.09 | 1.15          | 29.08 | 0.25        | 6.35  | 0.44     | 11.10 |
|                            | 113     |                      | 1.11         | 28.24 | 3.13    | 79.50 | 1.03          | 26.09 | 1.15          | 29.08 | 0.25        | 6.35  | 0.44     | 11.10 |
|                            | 118     |                      | 1.11         | 28.24 | 2.13    | 54.10 | 1.03          | 26.09 | 1.33          | 33.83 | 0.35        | 8.89  | 0.63     | 15.88 |
|                            | 119     |                      | 1.11         | 28.24 | 3.13    | 79.50 | 1.03          | 26.09 | 1.33          | 33.83 | 0.35        | 8.89  | 0.63     | 15.88 |
|                            | 152     |                      | 1.11         | 28.24 | 2.13    | 54.10 | 1.03          | 26.09 | 0.96          | 24.31 | 0.13        | 3.18  | 0.31     | 7.92  |
|                            | 153     |                      | 1.11         | 28.24 | 3.13    | 79.50 | 1.03          | 26.09 | 0.96          | 24.31 | 0.13        | 3.18  | 0.31     | 7.92  |

(\*)Denotes Style-2  
Table continued

## STRAIGHT, SPIN COUPLING

26482 Series II; 5015 (MS345X); 83723 Series III

| MIL PART NUMBER DESIGNATOR |         | CONNECTOR SHELL SIZE | TABLE-A      |        |         |        |               |       |               |       |             |       |          |       |
|----------------------------|---------|----------------------|--------------|--------|---------|--------|---------------|-------|---------------|-------|-------------|-------|----------|-------|
| SHELL SIZE                 | DASH NO |                      | A DIA. (MAX) |        | B (MAX) |        | C (REF) L MAX |       | G (MAX) L MAX |       | CABLE RANGE |       |          |       |
|                            |         |                      | INCH         | MM     | INCH    | MM     | INCH          | MM    | INCH          | MM    | MIN WIRE    |       | MAX WIRE |       |
|                            |         |                      |              |        |         |        |               |       |               |       | INCH        | MM    | INCH     | MM    |
| 18                         | 25      | 27/18                | 1.22         | 30.94  | 2.13    | 54.10  | 1.03          | 26.09 | 1.33          | 33.83 | 0.35        | 8.89  | 0.63     | 15.88 |
|                            | 26      |                      | 1.22         | 30.94  | 3.13    | 79.50  | 1.03          | 26.09 | 1.33          | 33.83 | 0.35        | 8.89  | 0.63     | 15.88 |
|                            | 27      |                      | 1.22         | 30.94  | 2.13    | 54.10  | 1.06          | 26.90 | 1.55          | 39.40 | 0.50        | 12.70 | 0.75     | 19.05 |
|                            | 28      |                      | 1.22         | 30.94  | 3.13    | 79.50  | 1.06          | 26.90 | 1.55          | 39.40 | 0.50        | 12.70 | 0.75     | 19.05 |
|                            | 29*     |                      | 1.22         | 30.94  | 2.88    | 73.15  | 1.16          | 29.36 | 1.77          | 44.96 | 0.63        | 15.88 | 0.94     | 23.80 |
|                            | 30*     |                      | 1.22         | 30.94  | 3.88    | 98.55  | 1.16          | 29.36 | 1.77          | 44.96 | 0.63        | 15.88 | 0.94     | 23.80 |
|                            | 120     |                      | 1.22         | 30.94  | 2.13    | 54.10  | 1.03          | 26.09 | 0.96          | 24.31 | 0.13        | 3.18  | 0.31     | 7.92  |
|                            | 121     |                      | 1.22         | 30.94  | 3.13    | 79.50  | 1.03          | 26.09 | 0.96          | 24.31 | 0.13        | 3.18  | 0.31     | 7.92  |
|                            | 122     |                      | 1.22         | 30.94  | 2.13    | 54.10  | 1.03          | 26.09 | 1.15          | 29.08 | 0.25        | 6.35  | 0.44     | 11.10 |
|                            | 123     |                      | 1.22         | 30.94  | 3.13    | 79.50  | 1.03          | 26.09 | 1.15          | 29.08 | 0.25        | 6.35  | 0.44     | 11.10 |
| 20                         | 31      | 37/20                | 1.35         | 34.16  | 3.13    | 79.50  | 1.03          | 26.09 | 1.33          | 33.83 | 0.35        | 8.89  | 0.63     | 15.88 |
|                            | 32      |                      | 1.35         | 34.16  | 4.13    | 104.90 | 1.03          | 26.09 | 1.33          | 33.83 | 0.35        | 8.89  | 0.63     | 15.88 |
|                            | 33      |                      | 1.35         | 34.16  | 3.13    | 79.50  | 1.06          | 26.90 | 1.55          | 39.40 | 0.50        | 12.70 | 0.75     | 19.05 |
|                            | 34      |                      | 1.35         | 34.16  | 4.13    | 104.90 | 1.06          | 26.90 | 1.55          | 39.40 | 0.50        | 12.70 | 0.75     | 19.05 |
|                            | 35*     |                      | 1.35         | 34.16  | 3.88    | 98.55  | 1.16          | 29.36 | 1.77          | 44.96 | 0.63        | 15.88 | 0.94     | 23.80 |
|                            | 36*     |                      | 1.35         | 34.16  | 4.88    | 123.95 | 1.16          | 29.36 | 1.77          | 44.96 | 0.63        | 15.88 | 0.94     | 23.80 |
|                            | 37*     |                      | 1.35         | 34.16  | 3.88    | 98.55  | 1.38          | 34.93 | 2.11          | 53.67 | 0.88        | 22.23 | 1.25     | 31.75 |
|                            | 38*     |                      | 1.35         | 34.16  | 4.88    | 123.95 | 1.38          | 34.93 | 2.11          | 53.67 | 0.88        | 22.23 | 1.25     | 31.75 |
|                            | 124     |                      | 1.35         | 34.16  | 3.13    | 79.50  | 1.03          | 26.09 | 1.15          | 29.08 | 0.25        | 6.35  | 0.44     | 11.10 |
|                            | 125     |                      | 1.35         | 34.16  | 4.13    | 104.90 | 1.03          | 26.09 | 1.15          | 29.08 | 0.25        | 6.35  | 0.44     | 11.10 |
| 140                        | 1.35    | 34.16                | 3.13         | 79.50  | 1.16    | 29.36  | 1.77          | 44.96 | 0.63          | 15.88 | 0.90        | 22.96 |          |       |
| 141                        | 1.35    | 34.16                | 4.13         | 104.90 | 1.16    | 29.36  | 1.77          | 44.96 | 0.63          | 15.88 | 0.90        | 22.96 |          |       |
| 22                         | 39      | 22                   | 1.47         | 37.29  | 3.13    | 79.50  | 1.03          | 26.09 | 1.33          | 33.83 | 0.35        | 8.89  | 0.63     | 15.88 |
|                            | 40      |                      | 1.47         | 37.29  | 4.13    | 104.90 | 1.03          | 26.09 | 1.33          | 33.83 | 0.35        | 8.89  | 0.63     | 15.88 |
|                            | 41      |                      | 1.47         | 37.29  | 3.13    | 79.50  | 1.06          | 26.90 | 1.55          | 39.40 | 0.50        | 12.70 | 0.75     | 19.05 |
|                            | 42      |                      | 1.47         | 37.29  | 4.13    | 104.90 | 1.06          | 26.90 | 1.55          | 39.40 | 0.50        | 12.70 | 0.75     | 19.05 |
|                            | 43      |                      | 1.47         | 37.29  | 3.13    | 79.50  | 1.16          | 29.36 | 1.77          | 44.96 | 0.63        | 15.88 | 0.94     | 23.80 |
|                            | 44      |                      | 1.47         | 37.29  | 4.13    | 104.90 | 1.16          | 29.36 | 1.77          | 44.96 | 0.63        | 15.88 | 0.94     | 23.80 |
|                            | 45*     |                      | 1.47         | 37.29  | 3.88    | 98.55  | 1.38          | 34.93 | 2.11          | 53.67 | 0.88        | 22.23 | 1.25     | 31.75 |
|                            | 46*     |                      | 1.47         | 37.29  | 4.88    | 123.95 | 1.38          | 34.93 | 2.11          | 53.67 | 0.88        | 22.23 | 1.25     | 31.75 |
|                            | 126     |                      | 1.47         | 37.29  | 3.13    | 79.50  | 1.03          | 26.09 | 0.96          | 24.31 | 0.13        | 3.18  | 0.31     | 7.92  |
|                            | 127     |                      | 1.47         | 37.29  | 4.13    | 104.90 | 1.03          | 26.09 | 0.96          | 24.31 | 0.13        | 3.18  | 0.31     | 7.92  |
| 128                        | 1.47    | 37.29                | 3.13         | 79.50  | 1.03    | 26.09  | 1.15          | 29.08 | 0.25          | 6.35  | 0.44        | 11.10 |          |       |
| 129                        | 1.47    | 37.29                | 4.13         | 104.90 | 1.03    | 26.09  | 1.15          | 29.08 | 0.25          | 6.35  | 0.44        | 11.10 |          |       |
| 142                        | 1.47    | 37.29                | 3.13         | 79.50  | 1.38    | 34.93  | 2.11          | 53.67 | 0.88          | 22.23 | 1.03        | 26.14 |          |       |
| 143                        | 1.47    | 37.29                | 4.13         | 104.90 | 1.38    | 34.93  | 2.11          | 53.67 | 0.88          | 22.23 | 1.03        | 26.14 |          |       |
| 24                         | 47      | 24                   | 1.59         | 40.46  | 3.13    | 79.50  | 1.06          | 26.90 | 1.55          | 39.40 | 0.50        | 12.70 | 0.75     | 19.05 |
|                            | 48      |                      | 1.59         | 40.46  | 4.13    | 104.90 | 1.06          | 26.90 | 1.55          | 39.40 | 0.50        | 12.70 | 0.75     | 19.05 |
|                            | 49      |                      | 1.59         | 40.46  | 3.13    | 79.50  | 1.16          | 29.36 | 1.77          | 44.96 | 0.63        | 15.88 | 0.81     | 20.62 |
|                            | 50      |                      | 1.59         | 40.46  | 4.13    | 104.90 | 1.16          | 29.36 | 1.77          | 44.96 | 0.63        | 15.88 | 0.81     | 20.62 |
|                            | 51      |                      | 1.59         | 40.46  | 3.13    | 79.50  | 1.16          | 29.36 | 1.77          | 44.96 | 0.63        | 15.88 | 0.94     | 23.80 |
|                            | 52      |                      | 1.59         | 40.46  | 4.13    | 104.90 | 1.16          | 29.36 | 1.77          | 44.96 | 0.63        | 15.88 | 0.94     | 23.80 |
|                            | 53*     |                      | 1.59         | 40.46  | 3.88    | 98.55  | 1.38          | 34.93 | 2.11          | 53.67 | 0.88        | 22.23 | 1.25     | 31.75 |
|                            | 54*     |                      | 1.59         | 40.46  | 4.88    | 123.95 | 1.38          | 34.93 | 2.11          | 53.67 | 0.88        | 22.23 | 1.25     | 31.75 |
|                            | 130     |                      | 1.59         | 40.46  | 3.13    | 79.50  | 1.03          | 26.09 | 1.33          | 33.83 | 0.35        | 8.89  | 0.63     | 15.88 |
|                            | 131     |                      | 1.59         | 40.46  | 4.13    | 104.90 | 1.03          | 26.09 | 1.33          | 33.83 | 0.35        | 8.89  | 0.63     | 15.88 |
| 144                        | 1.59    | 40.46                | 3.13         | 79.50  | 1.38    | 34.93  | 2.11          | 53.67 | 0.88          | 22.23 | 1.14        | 29.06 |          |       |
| 145                        | 1.59    | 40.46                | 4.13         | 104.90 | 1.38    | 34.93  | 2.11          | 53.67 | 0.88          | 22.23 | 1.14        | 29.06 |          |       |
| 28                         | 55      | 28                   | 1.97         | 50.01  | 3.13    | 79.50  | 1.06          | 26.90 | 1.55          | 39.40 | 0.50        | 12.70 | 0.75     | 19.05 |
|                            | 56      |                      | 1.97         | 50.01  | 4.13    | 104.90 | 1.06          | 26.90 | 1.55          | 39.40 | 0.50        | 12.70 | 0.75     | 19.05 |
|                            | 57      |                      | 1.97         | 50.01  | 3.13    | 79.50  | 1.16          | 29.36 | 1.77          | 44.96 | 0.63        | 15.88 | 0.94     | 23.80 |
|                            | 58      |                      | 1.97         | 50.01  | 4.13    | 104.90 | 1.16          | 29.36 | 1.77          | 44.96 | 0.63        | 15.88 | 0.94     | 23.80 |

(\*Denotes Style-2  
Table continued

## STRAIGHT, SPIN COUPLING

26482 Series II; 5015 (MS345X); 83723 Series III

| MIL PART NUMBER DESIGNATOR |         | CONNECTOR SHELL SIZE | TABLE-A      |       |         |        |               |        |               |        |             |       |          |       |
|----------------------------|---------|----------------------|--------------|-------|---------|--------|---------------|--------|---------------|--------|-------------|-------|----------|-------|
| SHELL SIZE                 | DASH NO |                      | A DIA. (MAX) |       | B (MAX) |        | C (REF) L MAX |        | G (MAX) L MAX |        | CABLE RANGE |       |          |       |
|                            |         |                      | INCH         | MM    | INCH    | MM     | INCH          | MM     | INCH          | MM     | MIN WIRE    |       | MAX WIRE |       |
|                            |         |                      |              |       |         |        |               |        |               |        | INCH        | MM    | INCH     | MM    |
| 28, cont.                  | 59      | 28                   | 1.97         | 50.01 | 3.13    | 79.50  | 1.38          | 34.93  | 2.11          | 53.67  | 0.88        | 22.23 | 1.25     | 31.75 |
|                            | 60      |                      | 1.97         | 50.01 | 4.13    | 104.90 | 1.38          | 34.93  | 2.11          | 53.67  | 0.88        | 22.23 | 1.25     | 31.75 |
|                            | 61      |                      | 1.97         | 50.01 | 3.13    | 79.50  | 1.50          | 38.10  | 23.63         | 600.20 | 1.00        | 25.40 | 1.38     | 34.93 |
|                            | 62      |                      | 1.97         | 50.01 | 4.13    | 104.90 | 1.50          | 38.10  | 2.36          | 60.02  | 1.00        | 25.40 | 1.38     | 34.93 |
| 32                         | 63      | 32                   | 2.22         | 56.36 | 3.13    | 79.50  | 1.16          | 29.36  | 1.77          | 44.96  | 0.63        | 15.88 | 0.94     | 23.80 |
|                            | 64      |                      | 2.22         | 56.36 | 4.13    | 104.90 | 1.16          | 29.36  | 1.77          | 44.96  | 0.63        | 15.88 | 0.94     | 23.80 |
|                            | 65      |                      | 2.22         | 56.36 | 3.13    | 79.50  | 1.38          | 34.93  | 2.11          | 53.67  | 0.88        | 22.23 | 1.25     | 31.75 |
|                            | 66      |                      | 2.22         | 56.36 | 4.13    | 104.90 | 1.38          | 34.93  | 2.11          | 53.67  | 0.88        | 22.23 | 1.25     | 31.75 |
|                            | 67      |                      | 2.22         | 56.36 | 3.13    | 79.50  | 1.50          | 38.10  | 2.36          | 60.02  | 1.00        | 25.40 | 1.38     | 34.93 |
|                            | 68      |                      | 2.22         | 56.36 | 4.13    | 104.90 | 1.50          | 38.10  | 2.36          | 60.02  | 1.00        | 25.40 | 1.38     | 34.93 |
|                            | 69      |                      | 2.22         | 56.36 | 3.13    | 79.50  | 1.78          | 45.24  | 2.77          | 70.36  | 1.25        | 31.75 | 1.63     | 41.28 |
|                            | 70      |                      | 2.22         | 56.36 | 4.13    | 104.90 | 1.78          | 45.24  | 2.77          | 70.36  | 1.25        | 31.75 | 1.63     | 41.28 |
| 36                         | 71      | 36                   | 2.47         | 62.71 | 4.13    | 104.90 | 1.38          | 34.93  | 2.11          | 53.67  | 0.88        | 22.23 | 1.25     | 31.75 |
|                            | 72      |                      | 2.47         | 62.71 | 5.13    | 130.30 | 1.38          | 34.93  | 2.11          | 53.67  | 0.88        | 22.23 | 1.25     | 31.75 |
|                            | 73      |                      | 2.47         | 62.71 | 4.13    | 104.90 | 1.50          | 38.10  | 2.36          | 60.02  | 1.00        | 25.40 | 1.38     | 34.93 |
|                            | 74      |                      | 2.47         | 62.71 | 5.13    | 130.30 | 1.50          | 38.10  | 2.36          | 60.02  | 1.00        | 25.40 | 1.38     | 34.93 |
|                            | 75      |                      | 2.47         | 62.71 | 4.13    | 104.90 | 1.78          | 45.24  | 2.77          | 70.36  | 1.25        | 31.75 | 1.63     | 41.28 |
|                            | 76      |                      | 2.47         | 62.71 | 5.13    | 130.30 | 1.78          | 45.24  | 2.77          | 70.36  | 1.25        | 31.75 | 1.63     | 41.28 |
|                            | 77*     |                      | 2.47         | 62.71 | 5.01    | 127.25 | 1.83          | 46.48  | 3.02          | 76.71  | 1.44        | 36.50 | 1.88     | 47.63 |
|                            | 78*     |                      | 2.47         | 62.71 | 6.01    | 152.65 | 1.83          | 46.48  | 3.02          | 76.71  | 1.44        | 36.50 | 1.88     | 47.63 |
|                            | 132     |                      | 2.47         | 62.71 | 4.13    | 104.90 | 1.06          | 26.90  | 1.55          | 39.40  | 0.50        | 12.70 | 0.75     | 19.05 |
|                            | 133     |                      | 2.47         | 62.71 | 5.13    | 130.30 | 1.06          | 26.90  | 1.55          | 39.40  | 0.50        | 12.70 | 0.75     | 19.05 |
|                            | 146     |                      | 2.47         | 62.71 | 4.13    | 104.90 | 1.83          | 46.48  | 3.02          | 76.71  | 1.44        | 36.50 | 1.84     | 46.74 |
|                            | 147     |                      | 2.47         | 62.71 | 5.13    | 130.30 | 1.83          | 46.48  | 3.02          | 76.71  | 1.44        | 36.50 | 1.84     | 46.74 |
|                            | 148     |                      | 2.47         | 62.71 | 4.13    | 104.90 | 1.16          | 29.36  | 1.77          | 44.96  | 0.63        | 15.88 | 0.94     | 23.80 |
|                            | 149     |                      | 2.47         | 62.71 | 5.13    | 130.30 | 1.16          | 29.36  | 1.77          | 44.96  | 0.63        | 15.88 | 0.94     | 23.80 |
| 40                         | 79      | 40                   | 2.72         | 69.06 | 4.13    | 104.90 | 1.38          | 34.93  | 2.11          | 53.67  | 0.88        | 22.23 | 1.25     | 31.75 |
|                            | 80      |                      | 2.72         | 69.06 | 5.13    | 130.30 | 1.38          | 34.93  | 2.11          | 53.67  | 0.88        | 22.23 | 1.25     | 31.75 |
|                            | 81      |                      | 2.72         | 69.06 | 4.13    | 104.90 | 1.50          | 38.10  | 2.36          | 60.02  | 1.00        | 25.40 | 1.38     | 34.93 |
|                            | 82      |                      | 2.72         | 69.06 | 5.13    | 130.30 | 1.50          | 38.10  | 2.36          | 60.02  | 1.00        | 25.40 | 1.38     | 34.93 |
|                            | 83      |                      | 2.72         | 69.06 | 4.13    | 104.90 | 1.78          | 45.24  | 2.77          | 70.36  | 1.25        | 31.75 | 1.63     | 41.28 |
|                            | 84      |                      | 2.72         | 69.06 | 5.13    | 130.30 | 1.78          | 45.24  | 2.77          | 70.36  | 1.25        | 31.75 | 1.63     | 41.28 |
|                            | 85      |                      | 2.72         | 69.06 | 4.13    | 104.90 | 1.83          | 46.48  | 3.02          | 76.71  | 1.44        | 36.50 | 1.88     | 47.63 |
|                            | 86      |                      | 2.72         | 69.06 | 5.13    | 130.30 | 1.83          | 46.48  | 3.02          | 76.71  | 1.44        | 36.50 | 1.88     | 47.63 |
|                            | 134     |                      | 2.72         | 69.06 | 4.13    | 104.90 | 1.06          | 26.90  | 1.55          | 39.40  | 0.50        | 12.70 | 0.75     | 19.05 |
|                            | 135     |                      | 2.72         | 69.06 | 5.13    | 130.30 | 1.06          | 26.90  | 1.55          | 39.40  | 0.50        | 12.70 | 0.75     | 19.05 |
|                            | 156     |                      | 2.72         | 69.06 | 4.13    | 104.90 | 1.16          | 29.36  | 1.77          | 44.96  | 0.63        | 15.88 | 0.94     | 23.80 |
|                            | 157     |                      | 2.72         | 69.06 | 5.13    | 130.30 | 1.16          | 29.36  | 1.77          | 44.96  | 0.63        | 15.88 | 0.94     | 23.80 |
|                            | 44      |                      | 87           | 44    | 2.97    | 75.41  | 4.13          | 104.90 | 1.38          | 34.93  | 2.11        | 53.67 | 0.88     | 22.23 |
| 88                         |         | 2.97                 | 75.41        |       | 5.13    | 130.30 | 1.38          | 34.93  | 2.11          | 53.67  | 0.88        | 22.23 | 1.25     | 31.75 |
| 89                         |         | 2.97                 | 75.41        |       | 4.13    | 104.90 | 1.50          | 38.10  | 2.36          | 60.02  | 1.00        | 25.40 | 1.38     | 34.93 |
| 90                         |         | 2.97                 | 75.41        |       | 5.13    | 130.30 | 1.50          | 38.10  | 2.36          | 60.02  | 1.00        | 25.40 | 1.38     | 34.93 |
| 91                         |         | 2.97                 | 75.41        |       | 4.13    | 104.90 | 1.78          | 45.24  | 2.77          | 70.36  | 1.25        | 31.75 | 1.63     | 41.28 |
| 92                         |         | 2.97                 | 75.41        |       | 5.13    | 130.30 | 1.78          | 45.24  | 2.77          | 70.36  | 1.25        | 31.75 | 1.63     | 41.28 |
| 93                         |         | 2.97                 | 75.41        |       | 4.13    | 104.90 | 1.83          | 46.48  | 3.02          | 76.71  | 1.44        | 36.50 | 1.88     | 47.63 |
| 94                         |         | 2.97                 | 75.41        |       | 5.13    | 130.30 | 1.83          | 46.48  | 3.02          | 76.71  | 1.44        | 36.50 | 1.88     | 47.63 |
| 154                        |         | 2.97                 | 75.41        |       | 4.13    | 104.90 | 1.16          | 29.36  | 1.77          | 44.96  | 0.63        | 15.88 | 0.94     | 23.80 |
| 155                        |         | 2.97                 | 75.41        |       | 5.13    | 130.30 | 1.16          | 29.36  | 1.77          | 44.96  | 0.63        | 15.88 | 0.94     | 23.80 |
| 48                         | 95      | 48                   | 3.22         | 81.76 | 4.13    | 104.90 | 1.38          | 34.93  | 2.11          | 53.67  | 0.88        | 22.23 | 1.25     | 31.75 |
|                            | 96      |                      | 3.22         | 81.76 | 5.13    | 130.30 | 1.38          | 34.93  | 2.11          | 53.67  | 0.88        | 22.23 | 1.25     | 31.75 |
|                            | 97      |                      | 3.22         | 81.76 | 4.13    | 104.90 | 1.50          | 38.10  | 2.36          | 60.02  | 1.00        | 25.40 | 1.38     | 34.93 |
|                            | 98      |                      | 3.22         | 81.76 | 5.13    | 130.30 | 1.50          | 38.10  | 2.36          | 60.02  | 1.00        | 25.40 | 1.38     | 34.93 |
|                            | 99      |                      | 3.22         | 81.76 | 4.13    | 104.90 | 1.78          | 45.24  | 2.77          | 70.36  | 1.25        | 31.75 | 1.63     | 41.28 |
|                            | 100     |                      | 3.22         | 81.76 | 5.13    | 130.30 | 1.78          | 45.24  | 2.77          | 70.36  | 1.25        | 31.75 | 1.63     | 41.28 |
|                            | 101     |                      | 3.22         | 81.76 | 4.13    | 104.90 | 1.83          | 46.48  | 3.02          | 76.71  | 1.44        | 36.50 | 1.88     | 47.63 |
|                            | 102     |                      | 3.22         | 81.76 | 5.13    | 130.30 | 1.83          | 46.48  | 3.02          | 76.71  | 1.44        | 36.50 | 1.88     | 47.63 |

# NON-ENVIRONMENTAL EMI/RFI

## 90° & 45°; SPIN COUPLING

26482 Series II; 5015 (MS345X); 83723 Series III

MIL Part Number

|        |                   |                          |                             |
|--------|-------------------|--------------------------|-----------------------------|
| M85049 | /23               | -10                      | W                           |
| Series | Slash Sheet       | Dash Number<br>(Table B) | Finish<br>(Table 2, pg. 14) |
|        | 23 :45°<br>24: 90 |                          |                             |

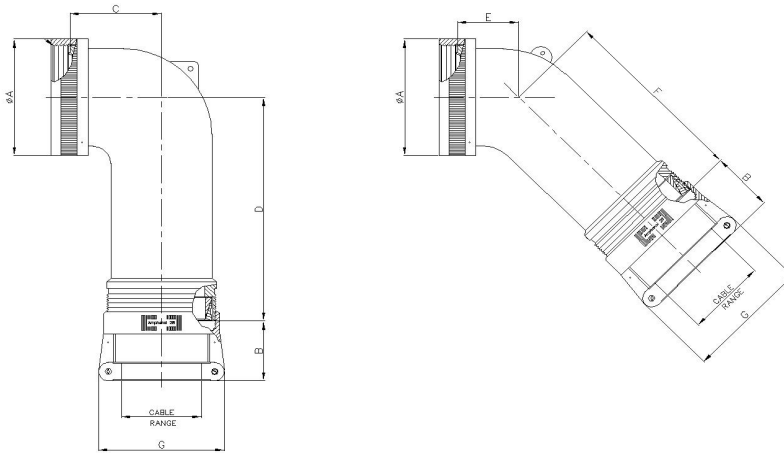


TABLE-B

| MIL PART NUMBER DESIGNATOR |         | CONNECTOR SHELL SIZE | A DIA. (MAX) |       | B (REF) L MAX |       | C (MAX) |       | D (MAX) |       | E (MAX) |       | F (MAX) |       | G (MAX) |       | CABLE RANGE |       |          |       |
|----------------------------|---------|----------------------|--------------|-------|---------------|-------|---------|-------|---------|-------|---------|-------|---------|-------|---------|-------|-------------|-------|----------|-------|
| SHELL SIZE                 | DASH NO |                      | INCH         | MM    | INCH          | MM    | INCH    | MM    | INCH    | MM    | INCH    | MM    | INCH    | MM    | INCH    | MM    | MIN WIRE    |       | MAX WIRE |       |
|                            |         |                      |              |       |               |       |         |       |         |       |         |       |         |       |         |       | INCH        | MM    | INCH     | MM    |
| 8                          | 3       | 8                    | 0.62         | 15.67 | 1.03          | 26.09 | 0.67    | 17.02 | 1.26    | 32.00 | 0.63    | 16.00 | 1.25    | 31.75 | 0.96    | 24.31 | 0.13        | 3.18  | 0.25     | 6.35  |
| 10                         | 4       | 10                   | 0.73         | 18.64 | 1.03          | 26.09 | 0.76    | 19.30 | 1.98    | 50.29 | 0.69    | 17.53 | 1.92    | 48.77 | 0.96    | 24.31 | 0.13        | 3.18  | 0.31     | 7.92  |
|                            | 49*     |                      | 0.73         | 18.64 | 1.03          | 26.09 | 1.52    | 38.61 | 2.00    | 50.80 | 1.50    | 38.10 | 1.98    | 50.29 | 1.15    | 29.08 | 0.25        | 6.35  | 0.44     | 11.10 |
|                            | 5       |                      | 0.73         | 18.64 | 1.03          | 26.09 | 0.76    | 19.30 | 1.38    | 35.05 | 0.69    | 17.53 | 1.31    | 33.27 | 1.15    | 29.08 | 0.25        | 6.35  | 0.38     | 9.53  |
| 12                         | 6       | 7/12                 | 0.86         | 21.79 | 1.03          | 26.09 | 0.77    | 19.56 | 2.00    | 50.80 | 0.75    | 19.05 | 1.98    | 50.29 | 0.96    | 24.31 | 0.13        | 3.18  | 0.31     | 7.92  |
|                            | 71*     |                      | 0.86         | 21.79 | 1.03          | 26.09 | 1.81    | 45.97 | 2.16    | 54.86 | 1.65    | 41.91 | 2.18    | 55.37 | 1.33    | 33.83 | 0.35        | 8.89  | 0.63     | 15.88 |
|                            | 7       |                      | 0.86         | 21.79 | 1.03          | 26.09 | 0.77    | 19.56 | 2.00    | 50.80 | 0.75    | 19.05 | 1.98    | 50.29 | 1.15    | 29.08 | 0.25        | 6.35  | 0.44     | 11.10 |
|                            | 8       |                      | 0.86         | 21.79 | 1.03          | 26.09 | 0.77    | 19.56 | 1.40    | 35.56 | 0.75    | 19.05 | 1.98    | 50.29 | 1.33    | 33.83 | 0.35        | 8.89  | 0.50     | 12.70 |
| 14                         | 9       | 12/14                | 0.98         | 24.99 | 1.03          | 26.09 | 0.87    | 22.10 | 2.07    | 52.58 | 0.81    | 20.57 | 2.07    | 52.58 | 1.15    | 29.08 | 0.25        | 6.35  | 0.44     | 11.10 |
|                            | 10      |                      | 0.98         | 24.99 | 1.03          | 26.09 | 0.87    | 22.10 | 1.72    | 43.69 | 0.81    | 20.57 | 1.72    | 43.69 | 1.33    | 33.83 | 0.35        | 8.89  | 0.58     | 14.61 |
|                            | 50*     |                      | 0.98         | 24.99 | 1.06          | 26.90 | 1.89    | 48.01 | 2.33    | 59.18 | 1.84    | 46.74 | 2.37    | 60.20 | 1.55    | 39.40 | 0.50        | 12.70 | 0.75     | 19.05 |
|                            | 74      |                      | 0.98         | 24.99 | 1.03          | 26.09 | 0.87    | 22.10 | 2.07    | 52.58 | 0.81    | 20.57 | 2.07    | 52.58 | 0.96    | 24.31 | 0.13        | 3.18  | 0.31     | 7.92  |
| 16                         | 11      | 19/16                | 1.11         | 28.24 | 1.03          | 26.09 | 1.05    | 26.67 | 2.16    | 54.86 | 0.91    | 23.11 | 2.18    | 55.37 | 1.15    | 29.08 | 0.25        | 6.35  | 0.44     | 11.10 |
|                            | 12      |                      | 1.11         | 28.24 | 1.06          | 26.90 | 1.05    | 26.67 | 1.81    | 45.97 | 0.91    | 23.11 | 1.82    | 46.23 | 1.55    | 39.40 | 0.50        | 12.70 | 0.70     | 17.78 |
|                            | 40      |                      | 1.11         | 28.24 | 1.03          | 26.09 | 1.05    | 26.67 | 2.16    | 54.86 | 0.91    | 23.11 | 2.18    | 55.37 | 1.33    | 33.83 | 0.35        | 8.89  | 0.63     | 15.88 |
|                            | 51*     |                      | 1.11         | 28.24 | 1.16          | 29.36 | 2.04    | 51.82 | 2.44    | 61.98 | 1.94    | 49.28 | 2.52    | 64.01 | 1.77    | 44.96 | 0.63        | 15.88 | 0.94     | 23.80 |
|                            | 75      |                      | 1.11         | 28.24 | 1.03          | 26.09 | 1.05    | 26.67 | 2.16    | 54.86 | 0.91    | 23.11 | 2.18    | 55.37 | 0.96    | 24.31 | 0.13        | 3.18  | 0.31     | 7.92  |

(\*)Denotes Style-2  
Table continued

## 90° & 45°; SPIN COUPLING

26482 Series II; 5015 (MS345X); 83723 Series III

| MIL PART NUMBER<br>DESIGNATOR |      | CONNECTOR<br>SHELL SIZE | TABLE-B      |       |                  |       |         |       |         |       |         |       |         |       |         |       |             |       |      |       |
|-------------------------------|------|-------------------------|--------------|-------|------------------|-------|---------|-------|---------|-------|---------|-------|---------|-------|---------|-------|-------------|-------|------|-------|
|                               |      |                         | A DIA. (MAX) |       | B (REF)<br>L MAX |       | C (MAX) |       | D (MAX) |       | E (MAX) |       | F (MAX) |       | G (MAX) |       | CABLE RANGE |       |      |       |
|                               |      |                         | INCH         | MM    | INCH             | MM    | INCH    | MM    | INCH    | MM    | INCH    | MM    | INCH    | MM    | INCH    | MM    | MIN<br>WIRE | MM    | INCH | MM    |
| 18                            | 13   | 27/18                   | 1.22         | 30.94 | 1.03             | 26.09 | 1.14    | 28.96 | 2.33    | 59.18 | 1.09    | 27.69 | 2.37    | 60.20 | 1.33    | 33.83 | 0.35        | 8.89  | 0.63 | 15.88 |
|                               | 14   |                         | 1.22         | 30.94 | 1.16             | 29.36 | 1.14    | 28.96 | 1.98    | 50.29 | 1.09    | 27.69 | 2.00    | 50.80 | 1.77    | 44.96 | 0.63        | 15.88 | 0.78 | 19.79 |
|                               | 41   |                         | 1.22         | 30.94 | 1.03             | 26.09 | 1.14    | 28.96 | 2.33    | 59.18 | 1.09    | 27.69 | 2.37    | 60.20 | 0.96    | 24.31 | 0.13        | 3.18  | 0.31 | 7.92  |
|                               | 42   |                         | 1.22         | 30.94 | 1.03             | 26.09 | 1.14    | 28.96 | 2.33    | 59.18 | 1.09    | 27.69 | 2.37    | 60.20 | 1.15    | 29.08 | 0.25        | 6.35  | 0.44 | 11.10 |
|                               | 52   |                         | 1.22         | 30.94 | 1.06             | 26.90 | 1.14    | 28.96 | 2.33    | 59.18 | 1.09    | 27.69 | 2.37    | 60.20 | 1.55    | 39.40 | 0.50        | 12.70 | 0.75 | 19.05 |
|                               | 72*  |                         | 1.22         | 30.94 | 1.16             | 29.36 | 2.05    | 52.07 | 2.44    | 61.98 | 1.94    | 49.28 | 2.52    | 64.01 | 1.77    | 44.96 | 0.63        | 15.88 | 0.94 | 23.80 |
| 20                            | 15   | 37/20                   | 1.35         | 34.16 | 1.03             | 26.09 | 1.14    | 28.96 | 2.33    | 59.18 | 1.09    | 27.69 | 2.37    | 60.20 | 1.33    | 33.83 | 0.35        | 8.89  | 0.63 | 15.88 |
|                               | 16   |                         | 1.35         | 34.16 | 1.16             | 29.36 | 1.14    | 28.96 | 1.98    | 50.29 | 1.09    | 27.69 | 2.00    | 50.80 | 1.77    | 44.96 | 0.63        | 15.88 | 0.90 | 22.96 |
|                               | 43   |                         | 1.35         | 34.16 | 1.03             | 26.09 | 1.14    | 28.96 | 2.33    | 59.18 | 1.09    | 27.69 | 2.37    | 60.20 | 1.15    | 29.08 | 0.25        | 6.35  | 0.44 | 11.10 |
|                               | 54   |                         | 1.35         | 34.16 | 1.06             | 26.90 | 1.14    | 28.96 | 2.33    | 59.18 | 1.09    | 27.69 | 2.37    | 60.20 | 1.55    | 39.40 | 0.50        | 12.70 | 0.75 | 19.05 |
|                               | 55   |                         | 1.35         | 34.16 | 1.38             | 34.93 | 2.14    | 54.36 | 2.61    | 66.29 | 2.06    | 52.32 | 2.57    | 65.28 | 2.11    | 53.67 | 0.88        | 22.23 | 1.25 | 31.75 |
| 22                            | 17   | 22                      | 1.47         | 37.29 | 1.06             | 26.90 | 1.29    | 32.77 | 2.44    | 61.98 | 1.19    | 30.23 | 2.52    | 64.01 | 1.55    | 39.40 | 0.50        | 12.70 | 0.75 | 19.05 |
|                               | 18   |                         | 1.47         | 37.29 | 1.38             | 34.93 | 1.29    | 32.77 | 2.09    | 53.09 | 1.19    | 30.23 | 2.16    | 54.86 | 2.11    | 53.67 | 0.88        | 22.23 | 1.03 | 26.14 |
|                               | 44   |                         | 1.47         | 37.29 | 1.03             | 26.09 | 1.29    | 32.77 | 2.44    | 61.98 | 1.19    | 30.23 | 2.52    | 64.01 | 0.96    | 24.31 | 0.13        | 3.18  | 0.31 | 7.92  |
|                               | 45   |                         | 1.47         | 37.29 | 1.03             | 26.09 | 1.29    | 32.77 | 2.44    | 61.98 | 1.19    | 30.23 | 2.52    | 64.01 | 1.15    | 29.08 | 0.25        | 6.35  | 0.44 | 11.10 |
|                               | 56   |                         | 1.47         | 37.29 | 1.03             | 26.09 | 1.29    | 32.77 | 2.44    | 61.98 | 1.19    | 30.23 | 2.52    | 64.01 | 1.33    | 33.83 | 0.35        | 8.89  | 0.63 | 15.88 |
|                               | 57   |                         | 1.47         | 37.29 | 1.16             | 29.36 | 1.29    | 32.77 | 2.44    | 61.98 | 1.19    | 30.23 | 2.52    | 64.01 | 1.77    | 44.96 | 0.63        | 15.88 | 0.94 | 23.80 |
| 58*                           | 1.47 | 37.29                   | 1.38         | 34.93 | 2.14             | 54.36 | 2.61    | 66.29 | 2.06    | 52.32 | 2.57    | 65.28 | 2.11    | 53.67 | 0.88    | 22.23 | 1.25        | 31.75 |      |       |
| 24                            | 19   | 24                      | 1.59         | 40.46 | 1.06             | 26.90 | 1.29    | 32.77 | 2.44    | 61.98 | 1.19    | 30.23 | 2.52    | 64.01 | 1.55    | 39.40 | 0.50        | 12.70 | 0.75 | 19.05 |
|                               | 20   |                         | 1.59         | 40.46 | 1.38             | 34.93 | 1.29    | 32.77 | 2.09    | 53.09 | 1.19    | 30.23 | 2.16    | 54.86 | 2.11    | 53.67 | 0.88        | 22.23 | 1.14 | 29.06 |
|                               | 46   |                         | 1.59         | 40.46 | 1.03             | 26.09 | 1.29    | 32.77 | 2.44    | 61.98 | 1.19    | 30.23 | 2.52    | 64.01 | 1.33    | 33.83 | 0.35        | 8.89  | 0.63 | 15.88 |
|                               | 59   |                         | 1.59         | 40.46 | 1.16             | 29.36 | 1.29    | 32.77 | 2.44    | 61.98 | 1.19    | 30.23 | 2.52    | 64.01 | 1.77    | 44.96 | 0.63        | 15.88 | 0.94 | 23.80 |
|                               | 73*  |                         | 1.59         | 40.46 | 1.38             | 34.93 | 2.15    | 54.61 | 2.61    | 66.29 | 2.06    | 52.32 | 2.57    | 65.28 | 2.12    | 53.75 | 0.88        | 22.23 | 1.25 | 31.75 |
| 28                            | 21   | 28                      | 1.97         | 50.01 | 1.16             | 29.36 | 1.39    | 35.31 | 2.61    | 66.29 | 1.31    | 33.27 | 2.57    | 65.28 | 1.77    | 44.96 | 0.63        | 15.88 | 0.94 | 23.80 |
|                               | 22   |                         | 1.97         | 50.01 | 1.50             | 38.10 | 1.39    | 35.31 | 2.26    | 57.40 | 1.31    | 33.27 | 2.22    | 56.39 | 2.36    | 60.02 | 1.00        | 25.40 | 1.38 | 34.93 |
|                               | 60   |                         | 1.97         | 50.01 | 1.06             | 26.90 | 1.39    | 35.31 | 2.61    | 66.29 | 1.31    | 33.27 | 2.57    | 65.28 | 1.55    | 39.40 | 0.50        | 12.70 | 0.75 | 19.05 |
|                               | 61   |                         | 1.97         | 50.01 | 1.38             | 34.93 | 1.39    | 35.31 | 2.61    | 66.29 | 1.31    | 33.27 | 2.57    | 65.28 | 2.11    | 53.67 | 0.88        | 22.23 | 1.25 | 31.75 |
| 32                            | 23   | 32                      | 2.22         | 56.36 | 1.16             | 29.36 | 1.74    | 44.20 | 2.86    | 72.64 | 1.38    | 35.05 | 2.67    | 67.82 | 1.77    | 44.96 | 0.63        | 15.88 | 0.94 | 23.80 |
|                               | 24   |                         | 2.22         | 56.36 | 1.38             | 34.93 | 1.74    | 44.20 | 2.86    | 72.64 | 1.38    | 35.05 | 2.67    | 67.82 | 2.11    | 53.67 | 0.88        | 22.23 | 1.25 | 31.75 |
|                               | 25   |                         | 2.22         | 56.36 | 1.78             | 45.24 | 1.74    | 44.20 | 2.51    | 63.75 | 1.38    | 35.05 | 2.32    | 58.93 | 2.77    | 70.36 | 1.25        | 31.75 | 1.63 | 41.28 |
|                               | 62   |                         | 2.22         | 56.36 | 1.50             | 38.10 | 1.74    | 44.20 | 2.86    | 72.64 | 1.38    | 35.05 | 2.67    | 67.82 | 2.36    | 60.02 | 1.00        | 25.40 | 1.38 | 34.93 |
| 36                            | 26   | 36                      | 2.47         | 62.71 | 1.16             | 29.36 | 1.94    | 49.28 | 2.83    | 71.88 | 1.41    | 35.81 | 2.76    | 70.10 | 1.77    | 44.96 | 0.63        | 15.88 | 0.94 | 23.80 |
|                               | 27   |                         | 2.47         | 62.71 | 1.50             | 38.10 | 1.94    | 49.28 | 2.83    | 71.88 | 1.41    | 35.81 | 2.76    | 70.10 | 2.36    | 60.02 | 1.00        | 25.40 | 1.38 | 34.93 |
|                               | 28   |                         | 2.47         | 62.71 | 1.83             | 46.48 | 1.94    | 49.28 | 2.48    | 62.99 | 1.41    | 35.81 | 2.41    | 61.21 | 3.02    | 76.71 | 1.44        | 36.50 | 1.84 | 46.74 |
|                               | 47   |                         | 2.47         | 62.71 | 1.06             | 26.90 | 1.94    | 49.28 | 2.83    | 71.88 | 1.41    | 35.81 | 2.76    | 70.10 | 1.55    | 39.40 | 0.50        | 12.70 | 0.75 | 19.05 |
|                               | 63   |                         | 2.47         | 62.71 | 1.38             | 34.93 | 1.94    | 49.28 | 2.83    | 71.88 | 1.41    | 35.81 | 2.76    | 70.10 | 2.11    | 53.67 | 0.88        | 22.23 | 1.25 | 31.75 |
| 64                            | 2.47 | 62.71                   | 1.78         | 45.24 | 1.94             | 49.28 | 2.83    | 71.88 | 1.41    | 35.81 | 2.76    | 70.10 | 2.77    | 70.36 | 1.25    | 31.75 | 1.63        | 41.28 |      |       |
| 40                            | 29   | 40                      | 2.72         | 69.06 | 1.16             | 29.36 | 2.69    | 68.33 | 2.83    | 71.88 | 2.16    | 54.86 | 2.76    | 70.10 | 1.77    | 44.96 | 0.63        | 15.88 | 0.94 | 23.80 |
|                               | 30   |                         | 2.72         | 69.06 | 1.50             | 38.10 | 2.69    | 68.33 | 2.83    | 71.88 | 2.16    | 54.86 | 2.76    | 70.10 | 2.36    | 60.02 | 1.00        | 25.40 | 1.38 | 34.93 |
|                               | 31   |                         | 2.72         | 69.06 | 1.83             | 46.48 | 2.69    | 68.33 | 2.48    | 62.99 | 2.16    | 54.86 | 2.41    | 61.21 | 3.02    | 76.71 | 1.44        | 36.50 | 1.88 | 47.63 |
|                               | 48   |                         | 2.72         | 69.06 | 1.06             | 26.90 | 1.94    | 49.28 | 2.83    | 71.88 | 2.16    | 54.86 | 2.76    | 70.10 | 1.55    | 39.40 | 0.50        | 12.70 | 0.75 | 19.05 |
|                               | 65   |                         | 2.72         | 69.06 | 1.38             | 34.93 | 2.69    | 68.33 | 2.83    | 71.88 | 2.16    | 54.86 | 2.76    | 70.10 | 2.11    | 53.67 | 0.88        | 22.23 | 1.25 | 31.75 |
|                               | 66   |                         | 2.72         | 69.06 | 1.78             | 45.24 | 2.69    | 68.33 | 2.83    | 71.88 | 2.16    | 54.86 | 2.76    | 70.10 | 2.77    | 70.36 | 1.25        | 31.75 | 1.63 | 41.28 |
| 44                            | 32   | 44                      | 2.97         | 75.41 | 1.16             | 29.36 | 2.69    | 68.33 | 2.83    | 71.88 | 2.16    | 54.86 | 2.76    | 70.10 | 1.77    | 44.96 | 0.63        | 15.88 | 0.94 | 23.80 |
|                               | 33   |                         | 2.97         | 75.41 | 1.50             | 38.10 | 2.69    | 68.33 | 2.83    | 71.88 | 2.16    | 54.86 | 2.76    | 70.10 | 2.36    | 60.02 | 1.00        | 25.40 | 1.38 | 34.93 |
|                               | 34   |                         | 2.97         | 75.41 | 1.83             | 46.48 | 2.69    | 68.33 | 2.48    | 62.99 | 2.16    | 54.86 | 2.41    | 61.21 | 3.02    | 76.71 | 1.44        | 36.50 | 1.88 | 47.63 |
|                               | 67   |                         | 2.97         | 75.41 | 1.38             | 34.93 | 2.69    | 68.33 | 2.83    | 71.88 | 2.16    | 54.86 | 2.76    | 70.10 | 2.11    | 53.67 | 0.88        | 22.23 | 1.25 | 31.75 |
|                               | 68   |                         | 2.97         | 75.41 | 1.78             | 45.24 | 2.69    | 68.33 | 2.83    | 71.88 | 2.16    | 54.86 | 2.76    | 70.10 | 2.77    | 70.36 | 1.25        | 31.75 | 1.63 | 41.28 |
| 48                            | 35   | 48                      | 3.22         | 81.76 | 1.16             | 29.36 | 2.69    | 68.33 | 2.83    | 71.88 | 2.16    | 54.86 | 2.76    | 70.10 | 1.77    | 44.96 | 0.63        | 15.88 | 0.94 | 23.80 |
|                               | 36   |                         | 3.22         | 81.76 | 1.50             | 38.10 | 2.69    | 68.33 | 2.83    | 71.88 | 2.16    | 54.86 | 2.76    | 70.10 | 2.36    | 60.02 | 1.00        | 25.40 | 1.38 | 34.93 |
|                               | 37   |                         | 3.22         | 81.76 | 1.83             | 46.48 | 2.69    | 68.33 | 2.48    | 62.99 | 2.16    | 54.86 | 2.41    | 61.21 | 3.02    | 76.71 | 1.44        | 36.50 | 1.88 | 47.63 |
|                               | 69   |                         | 3.22         | 81.76 | 1.38             | 34.93 | 2.69    | 68.33 | 2.83    | 71.88 | 2.16    | 54.86 | 2.76    | 70.10 | 2.11    | 53.67 | 0.88        | 22.23 | 1.25 | 31.75 |
|                               | 70   |                         | 3.22         | 81.76 | 1.78             | 45.24 | 2.69    | 68.33 | 2.83    | 71.88 | 2.16    | 54.86 | 2.76    | 70.10 | 2.77    | 70.36 | 1.25        | 31.75 | 1.63 | 41.28 |

## STRAIGHT; DIRECT COUPLING

38999 Series I & Series II

### MIL Part Number

|        |                                   |                         |                             |                         |                                       |
|--------|-----------------------------------|-------------------------|-----------------------------|-------------------------|---------------------------------------|
| M85049 | /36                               | 10                      | W                           | 03                      | A                                     |
| Series | Slash Sheet                       | Shell Size<br>(Table A) | Finish<br>(Table 2, pg. 14) | Clamp Size<br>(Table A) | Length<br>(Table A)<br>Omit for "STD" |
|        | 36 : Straight,<br>Direct Coupling |                         |                             |                         |                                       |

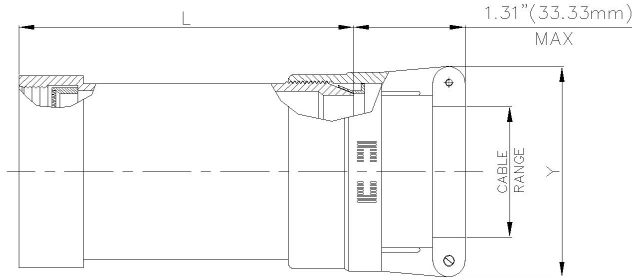


TABLE-A

| MIL PART NUMBER DESIGNATOR |            |             | CONNECTOR SHELL SIZE SE - II / I | CABLE RANGE |       |      |       | L (MAX) |       | Y (MAX) |       |
|----------------------------|------------|-------------|----------------------------------|-------------|-------|------|-------|---------|-------|---------|-------|
| ACCESSORY SHELL SIZE       | CLAMP SIZE | LENGTH CODE |                                  | MIN         |       | MAX  |       | INCH    | MM    | INCH    | MM    |
|                            |            |             |                                  | INCH        | MM    | INCH | MM    |         |       |         |       |
| 08                         | 01         | STD.        | 8 / 9                            | 0.06        | 1.57  | 0.13 | 3.18  | 1.53    | 38.86 | 0.78    | 19.81 |
|                            |            | A           |                                  |             |       |      |       | 2.53    | 64.26 |         |       |
|                            |            | STD.        |                                  |             |       |      |       | 1.53    | 38.86 |         |       |
|                            | 02         | STD.        |                                  | 0.13        | 3.18  | 0.25 | 6.35  | 1.53    | 38.86 | 0.97    | 24.64 |
|                            |            | A           |                                  | 2.53        | 64.26 |      |       |         |       |         |       |
|                            |            | STD.        |                                  | 1.53        | 38.86 |      |       |         |       |         |       |
| 10                         | 01         | STD.        | 10 / 11                          | 0.06        | 1.57  | 0.13 | 3.18  | 1.53    | 38.86 | 0.78    | 19.81 |
|                            |            | A           |                                  |             |       |      |       | 2.53    | 64.26 |         |       |
|                            |            | STD.        |                                  |             |       |      |       | 1.53    | 38.86 |         |       |
|                            | 02         | STD.        |                                  | 0.13        | 3.18  | 0.25 | 6.35  | 1.53    | 38.86 | 0.97    | 24.64 |
|                            |            | A           |                                  | 2.53        | 64.26 |      |       |         |       |         |       |
|                            |            | STD.        |                                  | 1.53        | 38.86 |      |       |         |       |         |       |
|                            | 03         | STD.        |                                  | 0.25        | 6.35  | 0.38 | 9.53  | 1.53    | 38.86 | 1.06    | 26.92 |
|                            |            | A           |                                  | 2.53        | 64.26 |      |       |         |       |         |       |
|                            |            | STD.        |                                  | 1.53        | 38.86 |      |       |         |       |         |       |
| 12                         | 02         | STD.        | 12 / 13                          | 0.13        | 3.18  | 0.25 | 6.35  | 1.53    | 38.86 | 0.97    | 24.64 |
|                            |            | A           |                                  |             |       |      |       | 2.53    | 64.26 |         |       |
|                            |            | STD.        |                                  |             |       |      |       | 1.53    | 38.86 |         |       |
|                            | 03         | STD.        |                                  | 0.25        | 6.35  | 0.38 | 9.53  | 1.53    | 38.86 | 1.06    | 26.92 |
|                            |            | A           |                                  | 2.53        | 64.26 |      |       |         |       |         |       |
|                            |            | STD.        |                                  | 1.53        | 38.86 |      |       |         |       |         |       |
| 14                         | 02         | STD.        | 14 / 15                          | 0.13        | 3.18  | 0.25 | 6.35  | 1.53    | 38.86 | 0.97    | 24.64 |
|                            |            | A           |                                  |             |       |      |       | 2.53    | 64.26 |         |       |
|                            |            | B           |                                  |             |       |      |       | 3.53    | 89.66 |         |       |
|                            | 03         | STD.        |                                  | 0.25        | 6.35  | 0.38 | 9.53  | 1.53    | 38.86 | 1.06    | 26.92 |
|                            |            | A           |                                  | 2.53        | 64.26 |      |       |         |       |         |       |
|                            |            | B           |                                  | 3.53        | 89.66 |      |       |         |       |         |       |
| 04                         | STD.       | 0.31        | 7.92                             | 0.50        | 12.70 | 1.53 | 38.86 | 1.16    | 29.46 |         |       |
|                            | A          | 2.53        | 64.26                            |             |       |      |       |         |       |         |       |
|                            | B          | 3.53        | 89.66                            |             |       |      |       |         |       |         |       |
| 05                         | STD.       | 0.44        | 11.10                            | 0.63        | 15.88 | 1.53 | 38.86 | 1.25    | 31.75 |         |       |
|                            | A          | 2.53        | 64.26                            |             |       |      |       |         |       |         |       |
|                            | B          | 3.53        | 89.66                            |             |       |      |       |         |       |         |       |
| 16                         | 02         | STD.        | 16 / 17                          | 0.13        | 3.18  | 0.25 | 6.35  | 1.53    | 38.86 | 0.97    | 24.64 |
|                            |            | A           |                                  |             |       |      |       | 2.53    | 64.26 |         |       |
|                            |            | B           |                                  |             |       |      |       | 3.53    | 89.66 |         |       |
|                            | 03         | STD.        |                                  | 0.25        | 6.35  | 0.38 | 9.53  | 1.53    | 38.86 | 1.06    | 26.92 |
|                            |            | A           |                                  | 2.53        | 64.26 |      |       |         |       |         |       |
|                            |            | B           |                                  | 3.53        | 89.66 |      |       |         |       |         |       |
|                            | 04         | STD.        |                                  | 0.31        | 7.92  | 0.50 | 12.70 | 1.53    | 38.86 | 1.16    | 29.46 |
|                            |            | A           |                                  | 2.53        | 64.26 |      |       |         |       |         |       |
|                            |            | B           |                                  | 3.53        | 89.66 |      |       |         |       |         |       |
|                            | 05         | STD.        |                                  | 0.44        | 11.10 | 0.63 | 15.88 | 1.53    | 38.86 | 1.25    | 31.75 |
|                            |            | A           |                                  | 2.53        | 64.26 |      |       |         |       |         |       |
|                            |            | B           |                                  | 3.53        | 89.66 |      |       |         |       |         |       |
|                            | 06         | STD.        |                                  | 0.56        | 14.27 | 0.75 | 19.05 | 1.53    | 38.86 | 1.38    | 35.05 |
|                            |            | A           |                                  | 2.53        | 64.26 |      |       |         |       |         |       |
|                            |            | B           |                                  | 3.53        | 89.66 |      |       |         |       |         |       |

Table continued



## STRAIGHT; DIRECT COUPLING

38999 Series I & Series II

| MIL PART NUMBER DESIGNATOR |            |             | CONNECTOR SHELL SIZE SE - II / I | CABLE RANGE |       |      |       | L (MAX) |        | Y (MAX) |       |
|----------------------------|------------|-------------|----------------------------------|-------------|-------|------|-------|---------|--------|---------|-------|
| ACCESSORY SHELL SIZE       | CLAMP SIZE | LENGTH CODE |                                  | MIN         |       | MAX  |       | INCH    | MM     | INCH    | MM    |
|                            |            |             |                                  | INCH        | MM    | INCH | MM    |         |        |         |       |
| 18                         | 03         | STD.        | 18 / 19                          | 0.25        | 6.35  | 0.38 | 9.53  | 1.53    | 38.86  | 1.06    | 26.92 |
|                            |            | A           |                                  |             |       |      |       | 2.53    | 64.26  |         |       |
|                            |            | B           |                                  |             |       |      |       | 3.53    | 89.66  |         |       |
|                            | 04         | STD.        |                                  | 0.31        | 7.92  | 0.50 | 12.70 | 1.53    | 38.86  | 1.16    | 29.46 |
|                            |            | A           |                                  |             |       |      |       | 2.53    | 64.26  |         |       |
|                            |            | B           |                                  |             |       |      |       | 3.53    | 89.66  |         |       |
|                            | 05         | STD.        |                                  | 0.44        | 11.10 | 0.63 | 15.88 | 1.53    | 38.86  | 1.25    | 31.75 |
|                            |            | A           |                                  |             |       |      |       | 2.53    | 64.26  |         |       |
|                            |            | B           |                                  |             |       |      |       | 3.53    | 89.66  |         |       |
|                            | 06         | STD.        |                                  | 0.56        | 14.27 | 0.75 | 19.05 | 1.53    | 38.86  | 1.38    | 35.05 |
|                            |            | A           |                                  |             |       |      |       | 2.53    | 64.26  |         |       |
|                            |            | B           |                                  |             |       |      |       | 3.53    | 89.66  |         |       |
| 07                         | STD.       | 0.69        | 17.45                            | 0.88        | 22.23 | 1.53 | 38.86 | 1.50    | 38.10  |         |       |
|                            | A          |             |                                  |             |       | 2.53 | 64.26 |         |        |         |       |
|                            | B          |             |                                  |             |       | 3.53 | 89.66 |         |        |         |       |
| 20                         | 03         | STD.        | 20 / 21                          | 0.25        | 6.35  | 0.38 | 9.53  | 1.53    | 38.86  | 1.06    | 26.92 |
|                            |            | A           |                                  |             |       |      |       | 2.53    | 64.26  |         |       |
|                            |            | B           |                                  |             |       |      |       | 3.53    | 89.66  |         |       |
|                            |            | C           |                                  |             |       |      |       | 4.53    | 115.06 |         |       |
|                            | 04         | STD.        |                                  | 0.31        | 7.92  | 0.50 | 12.70 | 1.53    | 38.86  | 1.16    | 29.46 |
|                            |            | A           |                                  |             |       |      |       | 2.53    | 64.26  |         |       |
|                            |            | B           |                                  |             |       |      |       | 3.53    | 89.66  |         |       |
|                            |            | C           |                                  |             |       |      |       | 4.53    | 115.06 |         |       |
|                            | 05         | STD.        |                                  | 0.44        | 11.10 | 0.63 | 15.88 | 1.53    | 38.86  | 1.25    | 31.75 |
|                            |            | A           |                                  |             |       |      |       | 2.53    | 64.26  |         |       |
|                            |            | B           |                                  |             |       |      |       | 3.53    | 89.66  |         |       |
|                            |            | C           |                                  |             |       |      |       | 4.53    | 115.06 |         |       |
|                            | 06         | STD.        |                                  | 0.56        | 14.27 | 0.75 | 19.05 | 1.53    | 38.86  | 1.38    | 35.05 |
|                            |            | A           |                                  |             |       |      |       | 2.53    | 64.26  |         |       |
|                            |            | B           |                                  |             |       |      |       | 3.53    | 89.66  |         |       |
|                            |            | C           |                                  |             |       |      |       | 4.53    | 115.06 |         |       |
|                            | 07         | STD.        |                                  | 0.69        | 17.45 | 0.88 | 22.23 | 1.53    | 38.86  | 1.50    | 38.10 |
|                            |            | A           |                                  |             |       |      |       | 2.53    | 64.26  |         |       |
|                            |            | B           |                                  |             |       |      |       | 3.53    | 89.66  |         |       |
|                            |            | C           |                                  |             |       |      |       | 4.53    | 115.06 |         |       |
|                            | 08         | STD.        |                                  | 0.81        | 20.62 | 1.00 | 25.40 | 1.53    | 38.86  | 1.63    | 41.40 |
|                            |            | A           |                                  |             |       |      |       | 2.53    | 64.26  |         |       |
|                            |            | B           |                                  |             |       |      |       | 3.53    | 89.66  |         |       |
|                            |            | C           |                                  |             |       |      |       | 4.53    | 115.06 |         |       |

Table continued

# NON-ENVIRONMENTAL EMI/RFI

## STRAIGHT; DIRECT COUPLING 38999 Series I & Series II

TABLE-A, cont.

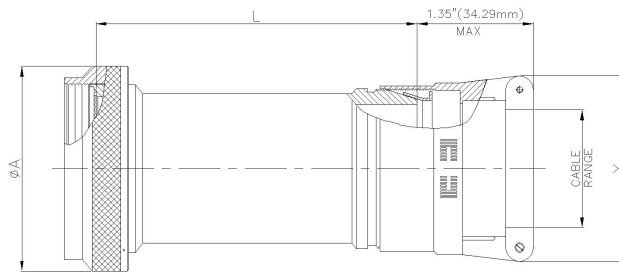
| MIL PART NUMBER DESIGNATOR |            |             | CONNECTOR SHELL SIZE SE - II / I | CABLE RANGE |       |      |        | L (MAX) |        | Y (MAX) |       |
|----------------------------|------------|-------------|----------------------------------|-------------|-------|------|--------|---------|--------|---------|-------|
| ACCESSORY SHELL SIZE       | CLAMP SIZE | LENGTH CODE |                                  | MIN         |       | MAX  |        | INCH    | MM     | INCH    | MM    |
|                            |            |             |                                  | INCH        | MM    | INCH | MM     |         |        |         |       |
| 22                         | 03         | STD.        | 22 / 23                          | 0.25        | 6.35  | 0.38 | 9.53   | 1.53    | 38.86  | 1.06    | 26.92 |
|                            |            | A           |                                  |             |       |      |        | 2.53    | 64.26  |         |       |
|                            |            | B           |                                  |             |       |      |        | 3.53    | 89.66  |         |       |
|                            |            | C           |                                  |             |       |      |        | 4.53    | 115.06 |         |       |
|                            | 04         | STD.        |                                  | 0.31        | 7.92  | 0.50 | 12.70  | 1.53    | 38.86  | 1.16    | 29.46 |
|                            |            | A           |                                  |             |       |      |        | 2.53    | 64.26  |         |       |
|                            |            | B           |                                  |             |       |      |        | 3.53    | 89.66  |         |       |
|                            |            | C           |                                  |             |       |      |        | 4.53    | 115.06 |         |       |
|                            | 05         | STD.        |                                  | 0.44        | 11.10 | 0.63 | 15.88  | 1.53    | 38.86  | 1.25    | 31.75 |
|                            |            | A           |                                  |             |       |      |        | 2.53    | 64.26  |         |       |
|                            |            | B           |                                  |             |       |      |        | 3.53    | 89.66  |         |       |
|                            |            | C           |                                  |             |       |      |        | 4.53    | 115.06 |         |       |
|                            | 06         | STD.        |                                  | 0.56        | 14.27 | 0.75 | 19.05  | 1.53    | 38.86  | 1.38    | 35.05 |
|                            |            | A           |                                  |             |       |      |        | 2.53    | 64.26  |         |       |
|                            |            | B           |                                  |             |       |      |        | 3.53    | 89.66  |         |       |
|                            |            | C           |                                  |             |       |      |        | 4.53    | 115.06 |         |       |
|                            | 07         | STD.        |                                  | 0.69        | 17.45 | 0.88 | 22.23  | 1.53    | 38.86  | 1.50    | 38.10 |
|                            |            | A           |                                  |             |       |      |        | 2.53    | 64.26  |         |       |
|                            |            | B           |                                  |             |       |      |        | 3.53    | 89.66  |         |       |
|                            |            | C           |                                  |             |       |      |        | 4.53    | 115.06 |         |       |
|                            | 08         | STD.        |                                  | 0.81        | 20.62 | 1.00 | 25.40  | 1.53    | 38.86  | 1.63    | 41.40 |
|                            |            | A           |                                  |             |       |      |        | 2.53    | 64.26  |         |       |
|                            |            | B           |                                  |             |       |      |        | 3.53    | 89.66  |         |       |
|                            |            | C           |                                  |             |       |      |        | 4.53    | 115.06 |         |       |
| 09                         | STD.       | 0.94        | 23.80                            | 1.13        | 28.58 | 1.53 | 38.86  | 1.75    | 44.45  |         |       |
|                            | A          |             |                                  |             |       | 2.53 | 64.26  |         |        |         |       |
|                            | B          |             |                                  |             |       | 3.53 | 89.66  |         |        |         |       |
|                            | C          |             |                                  |             |       | 4.53 | 115.06 |         |        |         |       |
| 24                         | 04         | STD.        | 24 / 25                          | 0.31        | 7.92  | 0.50 | 12.70  | 1.53    | 38.86  | 1.16    | 29.46 |
|                            |            | A           |                                  |             |       |      |        | 2.53    | 64.26  |         |       |
|                            |            | B           |                                  |             |       |      |        | 3.53    | 89.66  |         |       |
|                            |            | C           |                                  |             |       |      |        | 4.53    | 115.06 |         |       |
|                            | 05         | STD.        |                                  | 0.44        | 11.10 | 0.63 | 15.88  | 1.53    | 38.86  | 1.25    | 31.75 |
|                            |            | A           |                                  |             |       |      |        | 2.53    | 64.26  |         |       |
|                            |            | B           |                                  |             |       |      |        | 3.53    | 89.66  |         |       |
|                            |            | C           |                                  |             |       |      |        | 4.53    | 115.06 |         |       |
|                            | 06         | STD.        |                                  | 0.56        | 14.27 | 0.75 | 19.05  | 1.53    | 38.86  | 1.38    | 35.05 |
|                            |            | A           |                                  |             |       |      |        | 2.53    | 64.26  |         |       |
|                            |            | B           |                                  |             |       |      |        | 3.53    | 89.66  |         |       |
|                            |            | C           |                                  |             |       |      |        | 4.53    | 115.06 |         |       |
|                            | 07         | STD.        |                                  | 0.69        | 17.45 | 0.88 | 22.23  | 1.53    | 38.86  | 1.50    | 38.10 |
|                            |            | A           |                                  |             |       |      |        | 2.53    | 64.26  |         |       |
|                            |            | B           |                                  |             |       |      |        | 3.53    | 89.66  |         |       |
|                            |            | C           |                                  |             |       |      |        | 4.53    | 115.06 |         |       |
|                            | 08         | STD.        |                                  | 0.81        | 20.62 | 1.00 | 25.40  | 1.53    | 38.86  | 1.63    | 41.40 |
|                            |            | A           |                                  |             |       |      |        | 2.53    | 64.26  |         |       |
|                            |            | B           |                                  |             |       |      |        | 3.53    | 89.66  |         |       |
|                            |            | C           |                                  |             |       |      |        | 4.53    | 115.06 |         |       |
|                            | 09         | STD.        |                                  | 0.94        | 23.80 | 1.13 | 28.58  | 1.53    | 38.86  | 1.75    | 44.45 |
|                            |            | A           |                                  |             |       |      |        | 2.53    | 64.26  |         |       |
|                            |            | B           |                                  |             |       |      |        | 3.53    | 89.66  |         |       |
|                            |            | C           |                                  |             |       |      |        | 4.53    | 115.06 |         |       |
| 10                         | STD.       | 1.06        | 26.97                            | 1.25        | 31.75 | 1.53 | 38.86  | 1.88    | 47.75  |         |       |
|                            | A          |             |                                  |             |       | 2.53 | 64.26  |         |        |         |       |
|                            | B          |             |                                  |             |       | 3.53 | 89.66  |         |        |         |       |
|                            | C          |             |                                  |             |       | 4.53 | 115.06 |         |        |         |       |

## STRAIGHT; SPIN COUPLING

38999 Series III, IV

### MIL Part Number

|        |              |                         |                             |                         |   |
|--------|--------------|-------------------------|-----------------------------|-------------------------|---|
| M85049 | /19          | 11                      | W                           | 03                      | A   |
| Series | Slash Sheet  | Shell Size<br>(Table A) | Finish<br>(Table 2, pg. 14) | Clamp Size<br>(Table A) | Length<br>(Table A)<br><br>Omit for "STD" |
|        | 19: Straight |                         |                             |                         |   |



| MIL PART NUMBER DESIGNATOR |            |        | CONNECTOR SHELL SIZE/ CODE (REF.) | CABLE RANGE |       |      |       | A DIA. (MAX) |       | L (MAX) |       | Y (MAX) |       |
|----------------------------|------------|--------|-----------------------------------|-------------|-------|------|-------|--------------|-------|---------|-------|---------|-------|
| CONNECTOR SHELL SIZE       | CLAMP SIZE | LENGTH |                                   | MIN         |       | MAX  |       | INCH         | MM    | INCH    | MM    | INCH    | MM    |
|                            |            |        |                                   | INCH        | MM    | INCH | MM    |              |       |         |       |         |       |
| 9                          | 01         | STD.   | 09 / A                            | 0.06        | 1.57  | 0.13 | 3.18  | 0.75         | 19.05 | 1.53    | 38.86 | 0.80    | 20.32 |
|                            |            | A      |                                   |             |       |      |       |              |       | 2.53    | 64.26 |         |       |
|                            | 02         | STD.   |                                   | 0.13        | 3.18  | 0.25 | 6.35  |              |       | 1.53    | 38.86 | 1.00    | 25.40 |
|                            |            | A      |                                   |             |       |      |       |              |       | 2.53    | 64.26 |         |       |
| 11                         | 01         | STD.   | 11 / B                            | 0.06        | 1.57  | 0.13 | 3.18  | 0.85         | 21.59 | 1.53    | 38.86 | 0.80    | 20.32 |
|                            |            | A      |                                   |             |       |      |       |              |       | 2.53    | 64.26 |         |       |
|                            | 02         | STD.   |                                   | 0.13        | 3.18  | 0.25 | 6.35  |              |       | 1.53    | 38.86 | 1.00    | 25.40 |
|                            |            | A      |                                   |             |       |      |       |              |       | 2.53    | 64.26 |         |       |
|                            | 03         | STD.   |                                   | 0.25        | 6.35  | 0.38 | 9.53  |              |       | 1.53    | 38.86 | 1.10    | 27.94 |
|                            |            | A      |                                   |             |       |      |       |              |       | 2.53    | 64.26 |         |       |
| 13                         | 02         | STD.   | 13 / C                            | 0.13        | 3.18  | 0.25 | 6.35  | 1.00         | 25.40 | 1.53    | 38.86 | 1.00    | 25.40 |
|                            |            | A      |                                   |             |       |      |       |              |       | 2.53    | 64.26 |         |       |
|                            | 03         | STD.   |                                   | 0.25        | 6.35  | 0.38 | 9.53  |              |       | 1.53    | 38.86 | 1.10    | 27.94 |
|                            |            | A      |                                   |             |       |      |       |              |       | 2.53    | 64.26 |         |       |
| 04                         | STD.       | 0.31   | 7.92                              | 0.50        | 12.70 | 1.53 | 38.86 | 1.20         | 30.48 |         |       |         |       |
|                            | A          |        |                                   |             |       | 2.53 | 64.26 |              |       |         |       |         |       |
| 15                         | 02         | STD.   | 15 / D                            | 0.13        | 3.18  | 0.25 | 6.35  | 1.10         | 27.94 | 1.53    | 38.86 | 1.00    | 25.40 |
|                            |            | A      |                                   |             |       |      |       |              |       | 2.53    | 64.26 |         |       |
|                            |            | B      |                                   |             |       |      |       |              |       | 3.53    | 89.66 |         |       |
|                            |            | STD.   |                                   |             |       |      |       |              |       | 1.53    | 38.86 |         |       |
|                            | 03         | A      |                                   | 0.25        | 6.35  | 0.38 | 9.53  |              |       | 2.53    | 64.26 | 1.10    | 27.94 |
|                            |            | B      |                                   |             |       |      |       |              |       | 3.53    | 89.66 |         |       |
|                            |            | STD.   |                                   |             |       |      |       |              |       | 1.53    | 38.86 |         |       |
|                            |            | A      |                                   |             |       |      |       |              |       | 2.53    | 64.26 |         |       |
|                            | 04         | A      |                                   | 0.31        | 7.92  | 0.50 | 12.70 |              |       | 1.53    | 38.86 | 1.20    | 30.48 |
|                            |            | B      |                                   |             |       |      |       |              |       | 3.53    | 89.66 |         |       |
|                            |            | STD.   |                                   |             |       |      |       |              |       | 1.53    | 38.86 |         |       |
|                            |            | A      |                                   |             |       |      |       |              |       | 2.53    | 64.26 |         |       |
| 05                         | STD.       | 0.44   | 11.10                             | 0.63        | 15.88 | 1.53 | 38.86 | 1.25         | 31.75 |         |       |         |       |
|                            | A          |        |                                   |             |       | 2.53 | 64.26 |              |       |         |       |         |       |
|                            | B          |        |                                   |             |       | 3.53 | 89.66 |              |       |         |       |         |       |
|                            | STD.       |        |                                   |             |       | 1.53 | 38.86 |              |       |         |       |         |       |

Table continued

## STRAIGHT; SPIN COUPLING 38999 Series III, IV

| MIL PART NUMBER DESIGNATOR |            |        | CONNECTOR SHELL SIZE/CODE (REF.) | CABLE RANGE |       |      |       | A DIA. (MAX) |       | L (MAX) |        | Y (MAX) |       |
|----------------------------|------------|--------|----------------------------------|-------------|-------|------|-------|--------------|-------|---------|--------|---------|-------|
| CONNECTOR SHELL SIZE       | CLAMP SIZE | LENGTH |                                  | MIN         |       | MAX  |       | INCH         | MM    | INCH    | MM     | INCH    | MM    |
|                            |            |        |                                  | INCH        | MM    | INCH | MM    |              |       |         |        |         |       |
| 17                         | 02         | STD.   | 17 / E                           | 0.13        | 3.18  | 0.25 | 6.35  | 1.25         | 31.75 | 1.53    | 38.86  | 1.00    | 25.40 |
|                            |            | A      |                                  |             |       |      |       |              |       | 2.53    | 64.26  |         |       |
|                            |            | B      |                                  |             |       |      |       |              |       | 3.53    | 89.66  |         |       |
|                            | 03         | STD.   |                                  | 0.25        | 6.35  | 0.38 | 9.53  |              |       | 1.53    | 38.86  | 1.10    | 27.94 |
|                            |            | A      |                                  |             |       |      |       |              |       | 2.53    | 64.26  |         |       |
|                            |            | B      |                                  |             |       |      |       |              |       | 3.53    | 89.66  |         |       |
|                            | 04         | STD.   |                                  | 0.31        | 7.92  | 0.50 | 12.70 |              |       | 1.53    | 38.86  | 1.20    | 30.48 |
|                            |            | A      |                                  |             |       |      |       |              |       | 2.53    | 64.26  |         |       |
|                            |            | B      |                                  |             |       |      |       |              |       | 3.53    | 89.66  |         |       |
|                            | 05         | STD.   |                                  | 0.44        | 11.10 | 0.63 | 15.88 |              |       | 1.53    | 38.86  | 1.25    | 31.75 |
|                            |            | A      |                                  |             |       |      |       |              |       | 2.53    | 64.26  |         |       |
|                            |            | B      |                                  |             |       |      |       |              |       | 3.53    | 89.66  |         |       |
| 06                         | STD.       | 0.56   | 14.27                            | 0.75        | 19.05 | 1.53 | 38.86 | 1.40         | 35.56 |         |        |         |       |
|                            | A          |        |                                  |             |       | 2.53 | 64.26 |              |       |         |        |         |       |
|                            | B          |        |                                  |             |       | 3.53 | 89.66 |              |       |         |        |         |       |
| 19                         | 03         | STD.   | 19 / F                           | 0.25        | 6.35  | 0.38 | 9.53  | 1.40         | 35.56 | 1.53    | 38.86  | 1.10    | 27.94 |
|                            |            | A      |                                  |             |       |      |       |              |       | 2.53    | 64.26  |         |       |
|                            |            | B      |                                  |             |       |      |       |              |       | 3.53    | 89.66  |         |       |
|                            | 04         | STD.   |                                  | 0.31        | 7.92  | 0.50 | 12.70 |              |       | 1.53    | 38.86  | 1.20    | 30.48 |
|                            |            | A      |                                  |             |       |      |       |              |       | 2.53    | 64.26  |         |       |
|                            |            | B      |                                  |             |       |      |       |              |       | 3.53    | 89.66  |         |       |
|                            | 05         | STD.   |                                  | 0.44        | 11.10 | 0.63 | 15.88 |              |       | 1.53    | 38.86  | 1.25    | 31.75 |
|                            |            | A      |                                  |             |       |      |       |              |       | 2.53    | 64.26  |         |       |
|                            |            | B      |                                  |             |       |      |       |              |       | 3.53    | 89.66  |         |       |
|                            | 06         | STD.   |                                  | 0.56        | 14.27 | 0.75 | 19.05 |              |       | 1.53    | 38.86  | 1.40    | 35.56 |
|                            |            | A      |                                  |             |       |      |       |              |       | 2.53    | 64.26  |         |       |
|                            |            | B      |                                  |             |       |      |       |              |       | 3.53    | 89.66  |         |       |
| 07                         | STD.       | 0.69   | 17.45                            | 0.88        | 22.23 | 1.53 | 38.86 | 1.50         | 38.10 |         |        |         |       |
|                            | A          |        |                                  |             |       | 2.53 | 64.26 |              |       |         |        |         |       |
|                            | B          |        |                                  |             |       | 3.53 | 89.66 |              |       |         |        |         |       |
| 21                         | 03         | STD.   | 21 / G                           | 0.25        | 6.35  | 0.38 | 9.53  | 1.50         | 38.10 | 1.53    | 38.86  | 1.10    | 27.94 |
|                            |            | A      |                                  |             |       |      |       |              |       | 2.53    | 64.26  |         |       |
|                            |            | B      |                                  |             |       |      |       |              |       | 3.53    | 89.66  |         |       |
|                            |            | C      |                                  |             |       |      |       |              |       | 4.53    | 115.06 |         |       |
|                            | 04         | STD.   |                                  | 0.31        | 7.92  | 0.50 | 12.70 |              |       | 1.53    | 38.86  | 1.20    | 30.48 |
|                            |            | A      |                                  |             |       |      |       |              |       | 2.53    | 64.26  |         |       |
|                            |            | B      |                                  |             |       |      |       |              |       | 3.53    | 89.66  |         |       |
|                            |            | C      |                                  |             |       |      |       |              |       | 4.53    | 115.06 |         |       |
|                            | 05         | STD.   |                                  | 0.44        | 11.10 | 0.63 | 15.88 |              |       | 1.53    | 38.86  | 1.25    | 31.75 |
|                            |            | A      |                                  |             |       |      |       |              |       | 2.53    | 64.26  |         |       |
|                            |            | B      |                                  |             |       |      |       |              |       | 3.53    | 89.66  |         |       |
|                            |            | C      |                                  |             |       |      |       |              |       | 4.53    | 115.06 |         |       |
|                            | 06         | STD.   |                                  | 0.56        | 14.27 | 0.75 | 19.05 |              |       | 1.53    | 38.86  | 1.40    | 35.56 |
|                            |            | A      |                                  |             |       |      |       |              |       | 2.53    | 64.26  |         |       |
|                            |            | B      |                                  |             |       |      |       |              |       | 3.53    | 89.66  |         |       |
|                            |            | C      |                                  |             |       |      |       |              |       | 4.53    | 115.06 |         |       |
|                            | 07         | STD.   |                                  | 0.69        | 17.45 | 0.88 | 22.23 |              |       | 1.53    | 38.86  | 1.50    | 38.10 |
|                            |            | A      |                                  |             |       |      |       |              |       | 2.53    | 64.26  |         |       |
|                            |            | B      |                                  |             |       |      |       |              |       | 3.53    | 89.66  |         |       |
|                            |            | C      |                                  |             |       |      |       |              |       | 4.53    | 115.06 |         |       |
|                            | 08         | STD.   |                                  | 0.81        | 20.62 | 1.00 | 25.40 |              |       | 1.53    | 38.86  | 1.65    | 41.91 |
|                            |            | A      |                                  |             |       |      |       |              |       | 2.53    | 64.26  |         |       |
|                            |            | B      |                                  |             |       |      |       |              |       | 3.53    | 89.66  |         |       |
|                            |            | C      |                                  |             |       |      |       |              |       | 4.53    | 115.06 |         |       |

Table continued

## STRAIGHT; SPIN COUPLING 38999 Series III, IV

| ML PART NUMBER DESIGNATOR |            |        | CONNECTOR SHELL SIZE/CODE (REF.) | CABLE RANGE |       |      |       | A DIA. (MAX) |       | L (MAX) |        | Y (MAX) |       |
|---------------------------|------------|--------|----------------------------------|-------------|-------|------|-------|--------------|-------|---------|--------|---------|-------|
| CONNECTOR SHELL SIZE      | CLAMP SIZE | LENGTH |                                  | MIN         |       | MAX  |       | INCH         | MM    | INCH    | MM     | INCH    | MM    |
|                           |            |        |                                  | INCH        | MM    | INCH | MM    |              |       |         |        |         |       |
| 23                        | 03         | STD.   | 23 / H                           | 0.25        | 6.35  | 0.38 | 9.53  | 1.65         | 41.91 | 1.53    | 38.86  | 1.10    | 27.94 |
|                           |            | A      |                                  |             |       |      |       |              |       | 2.53    | 64.26  |         |       |
|                           |            | B      |                                  |             |       |      |       |              |       | 3.53    | 89.66  |         |       |
|                           |            | C      |                                  |             |       |      |       |              |       | 4.53    | 115.06 |         |       |
|                           | 04         | STD.   |                                  | 0.31        | 7.92  | 0.50 | 12.70 |              |       | 1.53    | 38.86  | 1.20    | 30.48 |
|                           |            | A      |                                  |             |       |      |       |              |       | 2.53    | 64.26  |         |       |
|                           |            | B      |                                  |             |       |      |       |              |       | 3.53    | 89.66  |         |       |
|                           |            | C      |                                  |             |       |      |       |              |       | 4.53    | 115.06 |         |       |
|                           | 05         | STD.   |                                  | 0.44        | 11.10 | 0.63 | 15.88 |              |       | 1.53    | 38.86  | 1.25    | 31.75 |
|                           |            | A      |                                  |             |       |      |       |              |       | 2.53    | 64.26  |         |       |
|                           |            | B      |                                  |             |       |      |       |              |       | 3.53    | 89.66  |         |       |
|                           |            | C      |                                  |             |       |      |       |              |       | 4.53    | 115.06 |         |       |
|                           | 06         | STD.   |                                  | 0.56        | 14.27 | 0.75 | 19.05 |              |       | 1.53    | 38.86  | 1.40    | 35.56 |
|                           |            | A      |                                  |             |       |      |       |              |       | 2.53    | 64.26  |         |       |
|                           |            | B      |                                  |             |       |      |       |              |       | 3.53    | 89.66  |         |       |
|                           |            | C      |                                  |             |       |      |       |              |       | 4.53    | 115.06 |         |       |
|                           | 07         | STD.   |                                  | 0.69        | 17.45 | 0.88 | 22.23 |              |       | 1.53    | 38.86  | 1.50    | 38.10 |
|                           |            | A      |                                  |             |       |      |       |              |       | 2.53    | 64.26  |         |       |
|                           |            | B      |                                  |             |       |      |       |              |       | 3.53    | 89.66  |         |       |
|                           |            | C      |                                  |             |       |      |       |              |       | 4.53    | 115.06 |         |       |
|                           | 08         | STD.   |                                  | 0.81        | 20.62 | 1.00 | 25.40 |              |       | 1.53    | 38.86  | 1.65    | 41.91 |
|                           |            | A      |                                  |             |       |      |       |              |       | 2.53    | 64.26  |         |       |
|                           |            | B      |                                  |             |       |      |       |              |       | 3.53    | 89.66  |         |       |
|                           |            | C      |                                  |             |       |      |       |              |       | 4.53    | 115.06 |         |       |
|                           | 09         | STD.   |                                  | 0.94        | 23.80 | 1.13 | 28.58 |              |       | 1.53    | 38.86  | 1.75    | 44.45 |
|                           |            | A      |                                  |             |       |      |       |              |       | 2.53    | 64.26  |         |       |
|                           |            | B      |                                  |             |       |      |       |              |       | 3.53    | 89.66  |         |       |
|                           |            | C      |                                  |             |       |      |       |              |       | 4.53    | 115.06 |         |       |
| 25                        | 04         | STD.   | 25 / J                           | 0.31        | 7.92  | 0.50 | 12.70 | 1.75         | 44.45 | 1.53    | 38.86  | 1.20    | 30.48 |
|                           |            | A      |                                  |             |       |      |       |              |       | 2.53    | 64.26  |         |       |
|                           |            | B      |                                  |             |       |      |       |              |       | 3.53    | 89.66  |         |       |
|                           |            | C      |                                  |             |       |      |       |              |       | 4.53    | 115.06 |         |       |
|                           | 05         | STD.   |                                  | 0.44        | 11.10 | 0.63 | 15.88 |              |       | 1.53    | 38.86  | 1.25    | 31.75 |
|                           |            | A      |                                  |             |       |      |       |              |       | 2.53    | 64.26  |         |       |
|                           |            | B      |                                  |             |       |      |       |              |       | 3.53    | 89.66  |         |       |
|                           |            | C      |                                  |             |       |      |       |              |       | 4.53    | 115.06 |         |       |
|                           | 06         | STD.   |                                  | 0.56        | 14.27 | 0.75 | 19.05 |              |       | 1.53    | 38.86  | 1.40    | 35.56 |
|                           |            | A      |                                  |             |       |      |       |              |       | 2.53    | 64.26  |         |       |
|                           |            | B      |                                  |             |       |      |       |              |       | 3.53    | 89.66  |         |       |
|                           |            | C      |                                  |             |       |      |       |              |       | 4.53    | 115.06 |         |       |
|                           | 07         | STD.   |                                  | 0.69        | 17.45 | 0.88 | 22.23 |              |       | 1.53    | 38.86  | 1.50    | 38.10 |
|                           |            | A      |                                  |             |       |      |       |              |       | 2.53    | 64.26  |         |       |
|                           |            | B      |                                  |             |       |      |       |              |       | 3.53    | 89.66  |         |       |
|                           |            | C      |                                  |             |       |      |       |              |       | 4.53    | 115.06 |         |       |
|                           | 08         | STD.   |                                  | 0.81        | 20.62 | 1.00 | 25.40 |              |       | 1.53    | 38.86  | 1.65    | 41.91 |
|                           |            | A      |                                  |             |       |      |       |              |       | 2.53    | 64.26  |         |       |
|                           |            | B      |                                  |             |       |      |       |              |       | 3.53    | 89.66  |         |       |
|                           |            | C      |                                  |             |       |      |       |              |       | 4.53    | 115.06 |         |       |
|                           | 09         | STD.   |                                  | 0.94        | 23.80 | 1.13 | 28.58 |              |       | 1.53    | 38.86  | 1.75    | 44.45 |
|                           |            | A      |                                  |             |       |      |       |              |       | 2.53    | 64.26  |         |       |
|                           |            | B      |                                  |             |       |      |       |              |       | 3.53    | 89.66  |         |       |
|                           |            | C      |                                  |             |       |      |       |              |       | 4.53    | 115.06 |         |       |
|                           | 10         | STD.   |                                  | 1.06        | 26.97 | 1.25 | 31.75 |              |       | 1.53    | 38.86  | 1.90    | 48.26 |
|                           |            | A      |                                  |             |       |      |       |              |       | 2.53    | 64.26  |         |       |
|                           |            | B      |                                  |             |       |      |       |              |       | 3.53    | 89.66  |         |       |
|                           |            | C      |                                  |             |       |      |       |              |       | 4.53    | 115.06 |         |       |

## STRAIGHT; 90°; SPIN COUPLING; SELF-LOCK W/ SHIELD

26482 Series II; 5015 (MS345X); 83723 Series III

### MIL Part Number

|        |                           |                                |                         |   |                             |                             |  |                    |
|--------|---------------------------|--------------------------------|-------------------------|---|-----------------------------|-----------------------------|--|--------------------|
| M85049 | /109                      | S                              | 10                      | T   | W                           | 03                          | -6   |                    |
| Series | Slash Sheet               | Coupling                       | Shell Size<br>(Table A) | Shield Finish                             | Finish<br>(Table 2, pg. 14) | Entry Size<br>(Table A & B) | Shield Length  | D<br>D: Drain Hole |
|        | 109: Straight<br>111: 90° | -.Spin Coupling<br>S:Self-Lock |                         | (Material: Copper)<br>K: Nickel<br>T: Tin |                             |                             | 6 inches min.<br>18 inches max.<br>1 inch increments<br>6: 6 inch,<br>7: 7 inch etc. |                    |

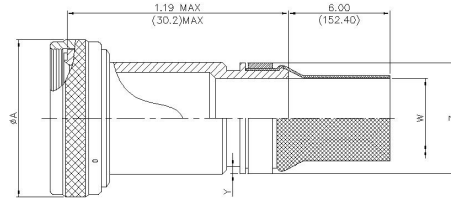
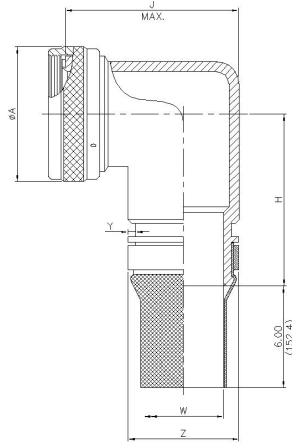


TABLE - B

| ENTRY SIZE | W<br>±0.020 | W<br>±0.508 | Y<br>+0.008<br>-0.000 | Y<br>+0.200<br>-0.000 | Z<br>MAX | Z<br>MAX |
|------------|-------------|-------------|-----------------------|-----------------------|----------|----------|
|            | INCH        | MM          | INCH                  | MM                    | INCH     | MM       |
| 01         | 0.250       | 6.350       | 0.044                 | 1.12                  | 0.56     | 14.22    |
| 02         | 0.312       | 7.920       | 0.044                 | 1.12                  | 0.63     | 16.00    |
| 03         | 0.375       | 9.530       | 0.044                 | 1.12                  | 0.69     | 17.53    |
| 04         | 0.438       | 11.130      | 0.044                 | 1.12                  | 0.75     | 19.05    |
| 05         | 0.500       | 12.700      | 0.044                 | 1.12                  | 0.82     | 20.83    |
| 06         | 0.562       | 14.270      | 0.044                 | 1.12                  | 0.89     | 22.61    |
| 07         | 0.625       | 15.880      | 0.044                 | 1.12                  | 0.95     | 24.13    |
| 08         | 0.688       | 17.480      | 0.044                 | 1.12                  | 1.02     | 25.91    |
| 09         | 0.750       | 19.050      | 0.069                 | 1.75                  | 1.07     | 27.18    |
| 10         | 0.812       | 20.620      | 0.069                 | 1.75                  | 1.13     | 28.70    |
| 11         | 0.875       | 22.230      | 0.069                 | 1.75                  | 1.19     | 30.23    |
| 12         | 0.938       | 23.830      | 0.069                 | 1.75                  | 1.26     | 32.00    |
| 13         | 1.000       | 25.400      | 0.069                 | 1.75                  | 1.32     | 33.53    |
| 14         | 1.125       | 28.575      | 0.069                 | 1.75                  | 1.47     | 37.34    |
| 15         | 1.250       | 31.750      | 0.069                 | 1.75                  | 1.60     | 40.64    |
| 16         | 1.375       | 34.930      | 0.069                 | 1.75                  | 1.71     | 43.43    |
| 17         | 1.500       | 38.100      | 0.086                 | 2.18                  | 1.84     | 46.74    |
| 18         | 1.625       | 41.280      | 0.086                 | 2.18                  | 2.00     | 50.80    |
| 19         | 1.750       | 44.450      | 0.086                 | 2.18                  | 2.12     | 53.85    |
| 20         | 1.875       | 47.630      | 0.086                 | 2.18                  | 2.27     | 57.66    |
| 21         | 2.000       | 50.800      | 0.086                 | 2.18                  | 2.44     | 61.98    |
| 22         | 2.125       | 53.980      | 0.086                 | 2.18                  | 2.60     | 66.04    |
| 23         | 2.250       | 57.150      | 0.086                 | 2.18                  | 2.75     | 69.85    |
| 24         | 2.375       | 60.325      | 0.086                 | 2.18                  | 2.90     | 73.66    |
| 25         | 2.500       | 63.500      | 0.086                 | 2.18                  | 3.06     | 77.72    |

TABLE - A

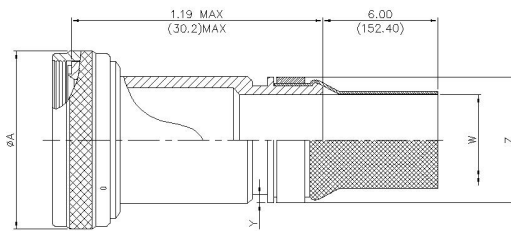
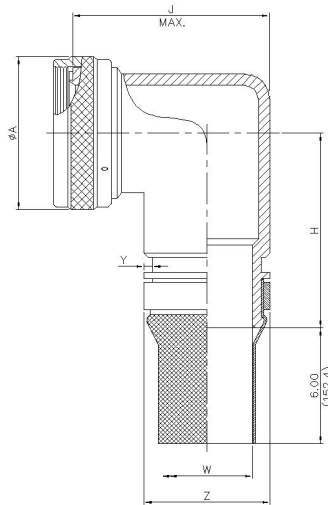
| PART NUMBER DESIGNATOR |                      |     | CONNECTOR SHELL SIZE | A DIA.(MAX) |       | H (MAX) |       | J (MAX) |        |
|------------------------|----------------------|-----|----------------------|-------------|-------|---------|-------|---------|--------|
| SHELL SIZE- MIL        | ALLOWABLE ENTRY SIZE |     |                      | INCH        | MM    | INCH    | MM    | INCH    | MM     |
|                        | MIN                  | MAX |                      |             |       |         |       |         |        |
| 08                     | -                    | 01  | 8                    | 0.885       | 22.48 | 1.73    | 43.94 | 1.12    | 28.45  |
| 10                     | 01                   | 03  | 10                   | 1.010       | 25.65 | 1.85    | 46.99 | 1.25    | 31.75  |
| 12                     | 01                   | 05  | 7/12                 | 1.135       | 28.83 | 1.87    | 47.50 | 1.38    | 35.05  |
| 14                     | 02                   | 06  | 12/14                | 1.260       | 32.00 | 1.94    | 49.28 | 1.44    | 36.58  |
| 16                     | 04                   | 08  | 19/16                | 1.385       | 35.18 | 2.03    | 51.56 | 1.56    | 39.62  |
| 18                     | 05                   | 09  | 27/18                | 1.510       | 38.35 | 2.20    | 55.88 | 1.75    | 44.45  |
| 20                     | 07                   | 11  | 37/20                | 1.635       | 41.53 | 2.20    | 55.88 | 1.75    | 44.45  |
| 22                     | 09                   | 13  | 22                   | 1.760       | 44.70 | 2.31    | 58.67 | 2.00    | 50.80  |
| 24                     | 11                   | 14  | 24                   | 1.885       | 47.88 | 2.31    | 58.67 | 2.00    | 50.80  |
| 28                     | 14                   | 16  | 28                   | 2.135       | 54.23 | 2.48    | 62.99 | 2.25    | 57.15  |
| 32                     | 16                   | 17  | 32                   | 2.395       | 60.83 | 2.73    | 69.34 | 2.75    | 69.85  |
| 36                     | 17                   | 19  | 36                   | 2.635       | 66.93 | 2.73    | 69.34 | 3.125   | 79.38  |
| 40                     | 19                   | 21  | 40                   | 2.885       | 73.28 | 2.88    | 73.15 | 4.125   | 104.78 |
| 44                     | 21                   | 23  | 44                   | 3.135       | 79.63 | 3.00    | 76.20 | 4.125   | 104.78 |
| 48                     | 23                   | 25  | 48                   | 3.385       | 85.98 | 3.12    | 79.25 | 4.125   | 104.78 |

## STRAIGHT; 90°; SPIN COUPLING; SELF-LOCK W/ SHIELD

38999 Series I & Series II

### MIL Part Number

|        |                           |                                |                         |   |                             |                             |  |   |
|--------|---------------------------|--------------------------------|-------------------------|---|-----------------------------|-----------------------------|--|---|
| M85049 | /112                      | S                              | 10                      | T   | W                           | 03                          | -6   |   |
| Series | Slash Sheet               | Coupling                       | Shell Size<br>(Table A) | Shield Finish                             | Finish<br>(Table 2, pg. 14) | Entry Size<br>(Table A & B) | Shield Length  | D |
|        | 112: Straight<br>114: 90° | --Spin Coupling<br>S:Self-Lock |                         | (Material: Copper)<br>K: Nickel<br>T: Tin |                             |                             | 6 inches min.<br>18 inches max.<br>1 inch increments<br>6: 6 inch,<br>7: 7 inch etc. |   |



**TABLE - A**

| MIL PART NUMBER DESIGNATOR |                      |     | CONNECTOR SHELL SIZE SE - II / I | A DIA.(MAX) |       | H (MAX) |       | J (MAX) |       |
|----------------------------|----------------------|-----|----------------------------------|-------------|-------|---------|-------|---------|-------|
| ACCESSORY SHELL SIZE       | ALLOWABLE ENTRY SIZE |     |                                  | INCH        | MM    | INCH    | MM    | INCH    | MM    |
|                            | MIN                  | MAX |                                  |             |       |         |       |         |       |
| 08                         | -                    | 01  | 8/9                              | 0.860       | 21.84 | 1.73    | 43.94 | 1.07    | 27.18 |
| 10                         | 01                   | 03  | 10/11                            | 0.980       | 24.89 | 1.85    | 46.99 | 1.19    | 30.23 |
| 12                         | 01                   | 05  | 12/13                            | 1.160       | 29.46 | 1.87    | 47.50 | 1.32    | 33.53 |
| 14                         | 03                   | 07  | 14/15                            | 1.280       | 32.51 | 1.94    | 49.28 | 1.44    | 36.58 |
| 16                         | 05                   | 09  | 16/17                            | 1.410       | 35.81 | 2.03    | 51.56 | 1.57    | 39.88 |
| 18                         | 06                   | 10  | 18/19                            | 1.520       | 38.61 | 2.20    | 55.88 | 1.75    | 44.45 |
| 20                         | 08                   | 12  | 20/21                            | 1.640       | 41.66 | 2.20    | 55.88 | 1.75    | 44.45 |
| 22                         | 09                   | 13  | 22/23                            | 1.770       | 44.96 | 2.31    | 58.67 | 2.00    | 50.80 |
| 24                         | 10                   | 14  | 24/25                            | 1.890       | 48.01 | 2.31    | 58.67 | 2.00    | 50.80 |

**TABLE - B**

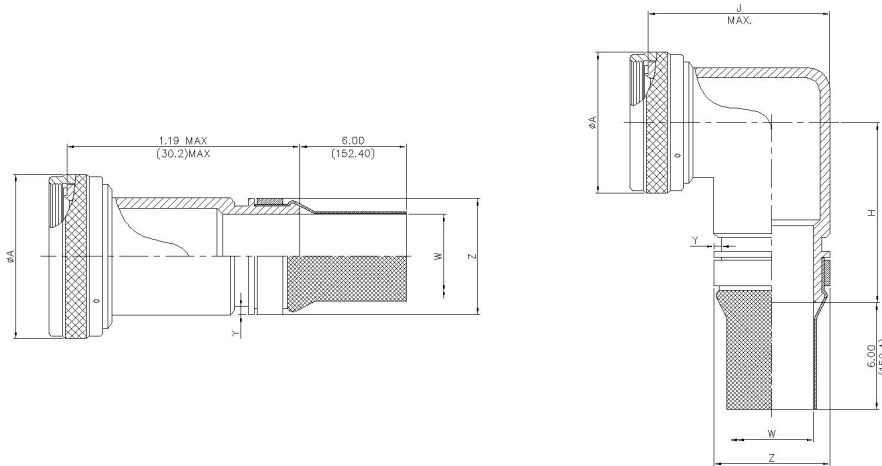
| ENTRY SIZE | W      | W      | Y                | Y                | Z    | Z     |
|------------|--------|--------|------------------|------------------|------|-------|
|            | ±0.020 | ±0.508 | +0.008<br>-0.000 | +0.200<br>-0.000 | MAX  | MAX   |
|            | INCH   | MM     | INCH             | MM               | INCH | MM    |
| 01         | 0.250  | 6.350  | 0.044            | 1.12             | 0.56 | 14.22 |
| 02         | 0.312  | 7.920  | 0.044            | 1.12             | 0.63 | 16.00 |
| 03         | 0.375  | 9.530  | 0.044            | 1.12             | 0.69 | 17.53 |
| 04         | 0.438  | 11.130 | 0.044            | 1.12             | 0.75 | 19.05 |
| 05         | 0.500  | 12.700 | 0.044            | 1.12             | 0.82 | 20.83 |
| 06         | 0.562  | 14.270 | 0.044            | 1.12             | 0.89 | 22.61 |
| 07         | 0.625  | 15.880 | 0.044            | 1.12             | 0.95 | 24.13 |
| 08         | 0.688  | 17.480 | 0.044            | 1.12             | 1.02 | 25.91 |
| 09         | 0.750  | 19.050 | 0.069            | 1.75             | 1.07 | 27.18 |
| 10         | 0.812  | 20.620 | 0.069            | 1.75             | 1.13 | 28.70 |
| 11         | 0.875  | 22.230 | 0.069            | 1.75             | 1.19 | 30.23 |
| 12         | 0.938  | 23.830 | 0.069            | 1.75             | 1.26 | 32.00 |
| 13         | 1.000  | 25.400 | 0.069            | 1.75             | 1.32 | 33.53 |
| 14         | 1.125  | 28.575 | 0.069            | 1.75             | 1.47 | 37.34 |

## STRAIGHT; 90°; SPIN COUPLING; SELF-LOCK W/ SHIELD

38999 Series III & Series IV

### MIL Part Number

|        |                           |                                |                         |   |                             |                             |  |   |
|--------|---------------------------|--------------------------------|-------------------------|---|-----------------------------|-----------------------------|--|---|
| M85049 | /115                      | -                              | 11                      | T   | W                           | 03                          | -6   |   |
| Series | Slash Sheet               | Coupling                       | Shell Size<br>(Table A) | Shield Finish                             | Finish<br>(Table 2, pg. 14) | Entry Size<br>(Table A & B) | Shield Length  | D |
|        | 115: Straight<br>117: 90° | --Spin Coupling<br>S:Self-Lock |                         | (Material: Copper)<br>K: Nickel<br>T: Tin |                             |                             | 6 inches min.<br>18 inches max.<br>1 inch increments<br>6: 6 inch,<br>7: 7 inch etc. |   |



| PART NUMBER DESIGNATOR |                      |     | CONNECTOR SHELL SIZE/ CODE (REF.) | A DIA.(MAX) |       | H (MAX) |       | J (MAX) |       |
|------------------------|----------------------|-----|-----------------------------------|-------------|-------|---------|-------|---------|-------|
| SHELL SIZE- MIL        | ALLOWABLE ENTRY SIZE |     |                                   | INCH        | MM    | INCH    | MM    | INCH    | MM    |
|                        | MIN                  | MAX |                                   |             |       |         |       |         |       |
| 09                     | -                    | 01  | 9 / A                             | 0.860       | 21.84 | 1.73    | 43.94 | 0.88    | 22.35 |
| 11                     | 01                   | 03  | 11 / B                            | 0.980       | 24.89 | 1.85    | 46.99 | 1.00    | 25.40 |
| 13                     | 01                   | 05  | 13 / C                            | 1.160       | 29.46 | 1.87    | 47.50 | 1.13    | 28.70 |
| 15                     | 03                   | 07  | 15 / D                            | 1.280       | 32.51 | 1.94    | 49.28 | 1.31    | 33.27 |
| 17                     | 05                   | 09  | 17 / E                            | 1.410       | 35.81 | 2.03    | 51.56 | 1.50    | 38.10 |
| 19                     | 06                   | 10  | 19 / F                            | 1.520       | 38.61 | 2.20    | 55.88 | 1.75    | 44.45 |
| 21                     | 08                   | 12  | 21 / G                            | 1.640       | 41.66 | 2.20    | 55.88 | 1.75    | 44.45 |
| 23                     | 09                   | 13  | 23 / H                            | 1.770       | 44.96 | 2.31    | 58.67 | 2.00    | 50.80 |
| 25                     | 10                   | 14  | 25 / J                            | 1.890       | 48.01 | 2.31    | 58.67 | 2.00    | 50.80 |

| ENTRY SIZE | W      | W      | Y      | Y      | Z    | Z     |
|------------|--------|--------|--------|--------|------|-------|
|            | ±0.020 | ±0.508 | +0.008 | +0.200 | MAX  | MAX   |
|            | -0.000 | -0.000 | -0.000 | -0.000 | INCH | MM    |
|            | INCH   | MM     | INCH   | MM     | INCH | MM    |
| 01         | 0.250  | 6.350  | 0.044  | 1.12   | 0.56 | 14.22 |
| 02         | 0.312  | 7.920  | 0.044  | 1.12   | 0.63 | 16.00 |
| 03         | 0.375  | 9.530  | 0.044  | 1.12   | 0.69 | 17.53 |
| 04         | 0.438  | 11.130 | 0.044  | 1.12   | 0.75 | 19.05 |
| 05         | 0.500  | 12.700 | 0.044  | 1.12   | 0.82 | 20.83 |
| 06         | 0.562  | 14.270 | 0.044  | 1.12   | 0.89 | 22.61 |
| 07         | 0.625  | 15.880 | 0.044  | 1.12   | 0.95 | 24.13 |
| 08         | 0.688  | 17.480 | 0.044  | 1.12   | 1.02 | 25.91 |
| 09         | 0.750  | 19.050 | 0.069  | 1.75   | 1.07 | 27.18 |
| 10         | 0.812  | 20.620 | 0.069  | 1.75   | 1.13 | 28.70 |
| 11         | 0.875  | 22.230 | 0.069  | 1.75   | 1.19 | 30.23 |
| 12         | 0.938  | 23.830 | 0.069  | 1.75   | 1.26 | 32.00 |
| 13         | 1.000  | 25.400 | 0.069  | 1.75   | 1.32 | 33.53 |
| 14         | 1.125  | 28.575 | 0.069  | 1.75   | 1.47 | 37.34 |



## STRAIGHT; 90° & 45°; SELF-LOCK/NON SELF-LOCK

26482 Series II; 5015 (MS345X); 83723 Series III

### MIL Part Number

|        |                                    |   |                          |                             |
|--------|------------------------------------|---|--------------------------|-----------------------------|
| M85049 | /53                                | -   | 10                       | W                           |
| Series | Slash Sheet                        | Coupling  | Dash Number<br>(Table A) | Finish<br>(Table 2, pg. 14) |
|        | 53: Straight<br>54: 45°<br>55: 90° | -Spin Coupling<br>S: Self-Lock<br>G: Non Self Lock w/grounding Lug (90° Only)<br>T: Self-Lock with grounding lug (only for 90°) |                          |                             |

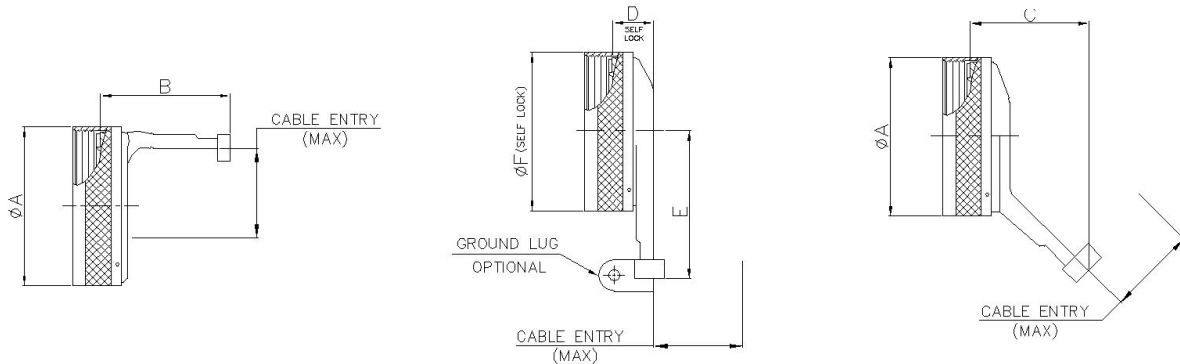


TABLE - A

| MIL PART NUMBER DESIGNATOR | CONNECTOR SHELL SIZE | A DIA.(MAX) |       | B (MAX) |       | C (MAX) |       | D (MAX) |       | E (MAX) |       | F DIA.(MAX) |       | WIRING ENTRY MAX |       |
|----------------------------|----------------------|-------------|-------|---------|-------|---------|-------|---------|-------|---------|-------|-------------|-------|------------------|-------|
|                            |                      | INCH        | MM    | INCH    | MM    | INCH    | MM    | INCH    | MM    | INCH    | MM    | INCH        | MM    | INCH             | MM    |
| 8                          | 8                    | 0.66        | 16.69 | 0.95    | 24.23 | 1.23    | 31.29 | 0.73    | 18.54 | 1.22    | 30.99 | 0.89        | 22.48 | 0.26             | 6.60  |
| 10                         | 10                   | 0.78        | 19.86 | 0.95    | 24.23 | 1.23    | 31.29 | 0.73    | 18.54 | 1.29    | 32.77 | 1.01        | 25.65 | 0.37             | 9.27  |
| 12                         | 07/12/12             | 0.94        | 23.80 | 0.95    | 24.23 | 1.23    | 31.29 | 0.73    | 18.54 | 1.62    | 41.15 | 1.14        | 28.83 | 0.50             | 12.73 |
| 14                         | 12/14/12             | 1.05        | 26.67 | 1.20    | 30.58 | 1.23    | 31.29 | 0.73    | 18.54 | 1.66    | 42.16 | 1.26        | 32.00 | 0.58             | 14.61 |
| 16                         | 19/16                | 1.24        | 31.47 | 1.20    | 30.58 | 1.23    | 31.29 | 0.73    | 18.54 | 1.72    | 43.69 | 1.39        | 35.18 | 0.70             | 17.78 |
| 18                         | 27/18                | 1.38        | 35.00 | 1.20    | 30.58 | 1.23    | 31.29 | 0.73    | 18.54 | 1.72    | 43.69 | 1.51        | 38.35 | 0.78             | 19.79 |
| 20                         | 37/20                | 1.50        | 38.10 | 1.31    | 33.27 | 1.48    | 37.64 | 0.75    | 19.05 | 1.79    | 45.47 | 1.64        | 41.53 | 0.90             | 22.96 |
| 22                         | 22                   | 1.63        | 41.43 | 1.43    | 36.32 | 1.48    | 37.64 | 0.75    | 19.05 | 1.85    | 46.99 | 1.76        | 44.70 | 1.03             | 26.14 |
| 24                         | 24                   | 1.75        | 44.45 | 1.56    | 39.62 | 1.48    | 37.64 | 0.75    | 19.05 | 1.91    | 48.51 | 1.89        | 47.88 | 1.14             | 29.06 |
| 28                         | 28                   | 1.97        | 50.04 | 1.56    | 39.62 | 1.47    | 37.31 | 0.75    | 19.05 | 2.06    | 52.32 | 2.14        | 54.23 | 1.38             | 35.03 |

## STRAIGHT; 90° & 45°; SELF-LOCK/NON SELF-LOCK

38999 Series I & Series II

### MIL Part Number

|        |                                    |   |                          |                             |
|--------|------------------------------------|---|--------------------------|-----------------------------|
| M85049 | /56                                | -   | 10                       | W                           |
| Series | Slash Sheet                        | Coupling  | Dash Number<br>(Table A) | Finish<br>(Table 2, pg. 14) |
|        | 56: Straight<br>57: 45°<br>63: 90° | -:Spin Coupling<br>S:Self-Lock<br>G: Non Self Lock w/grounding Lug (/57 and /63 Only) |                          |                             |

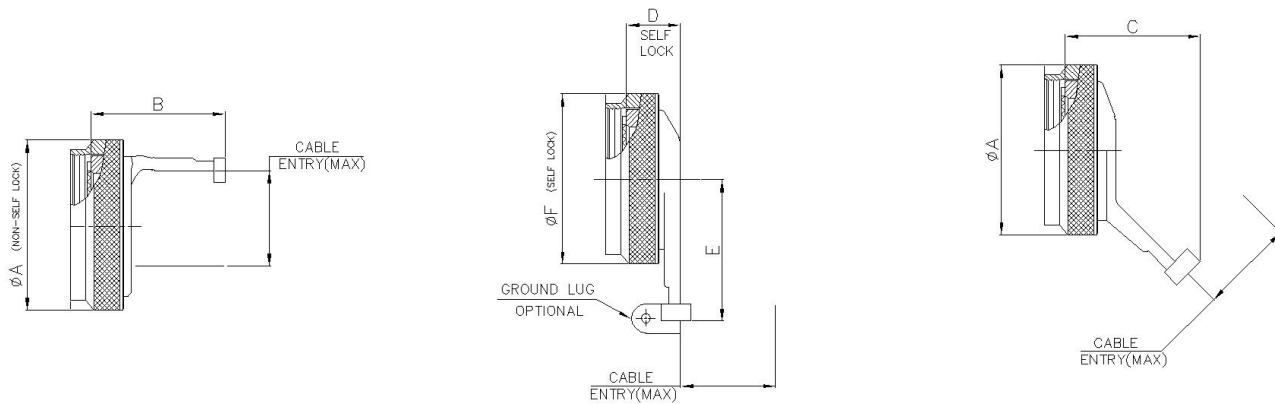


TABLE - A

| MIL PART NUMBER<br>DESIGNATOR | CONNECTOR<br>SHELL SIZE SE | A DIA.(MAX) |       | B (MAX) |       | C (MAX) |       | D (MAX) |       | E (MAX) |       | F DIA.(MAX) |       | CABLE ENTRY<br>MAX |       |
|-------------------------------|----------------------------|-------------|-------|---------|-------|---------|-------|---------|-------|---------|-------|-------------|-------|--------------------|-------|
|                               |                            | INCH        | MM    | INCH    | MM    | INCH    | MM    | INCH    | MM    | INCH    | MM    | INCH        | MM    | INCH               | MM    |
| DASH NO                       | - II/I                     |             |       |         |       |         |       |         |       |         |       |             |       |                    |       |
| 8                             | 8 / 9                      | 0.66        | 16.69 | 0.95    | 24.23 | 1.23    | 31.29 | 0.73    | 18.54 | 1.22    | 30.99 | 0.89        | 22.48 | 0.26               | 6.60  |
| 10                            | 10 / 11                    | 0.78        | 19.86 | 0.95    | 24.23 | 1.23    | 31.29 | 0.73    | 18.54 | 1.29    | 32.77 | 1.01        | 25.65 | 0.37               | 9.27  |
| 12                            | 12 / 13                    | 0.94        | 23.80 | 0.95    | 24.23 | 1.23    | 31.29 | 0.73    | 18.54 | 1.62    | 41.15 | 1.14        | 28.83 | 0.50               | 12.73 |
| 14                            | 14 / 15                    | 1.05        | 26.67 | 1.20    | 30.58 | 1.23    | 31.29 | 0.73    | 18.54 | 1.66    | 42.16 | 1.26        | 32.00 | 0.58               | 14.61 |
| 16                            | 16 / 17                    | 1.24        | 31.47 | 1.20    | 30.58 | 1.23    | 31.29 | 0.73    | 18.54 | 1.72    | 43.69 | 1.39        | 35.18 | 0.70               | 17.78 |
| 18                            | 18 / 19                    | 1.38        | 35.00 | 1.20    | 30.58 | 1.23    | 31.29 | 0.73    | 18.54 | 1.72    | 43.69 | 1.51        | 38.35 | 0.78               | 19.79 |
| 20                            | 20 / 21                    | 1.50        | 38.10 | 1.31    | 33.27 | 1.48    | 37.64 | 0.75    | 19.05 | 1.79    | 45.47 | 1.64        | 41.53 | 0.90               | 22.96 |
| 22                            | 22 / 23                    | 1.63        | 41.43 | 1.43    | 36.32 | 1.48    | 37.64 | 0.75    | 19.05 | 1.85    | 46.99 | 1.76        | 44.70 | 1.03               | 26.14 |
| 24                            | 24 / 25                    | 1.75        | 44.45 | 1.56    | 39.62 | 1.48    | 37.64 | 0.75    | 19.05 | 1.91    | 48.51 | 1.89        | 47.88 | 1.14               | 29.06 |

## 90° & 45°; SELF-LOCK/NON SELF-LOCK 38999 Series III & Series IV

### MIL Part Number

|        |                    |   |                          |                             |
|--------|--------------------|---|--------------------------|-----------------------------|
| M85049 | /16                | -   | 11                       | W                           |
| Series | Slash Sheet        | Coupling  | Dash Number<br>(Table A) | Finish<br>(Table 2, pg. 14) |
|        | 15: 45°<br>16: 90° | -:Spin Coupling<br>S:Self-Lock<br>G: Non Self Lock w/grounding Lug (/57 and /63 Only) |                          |                             |

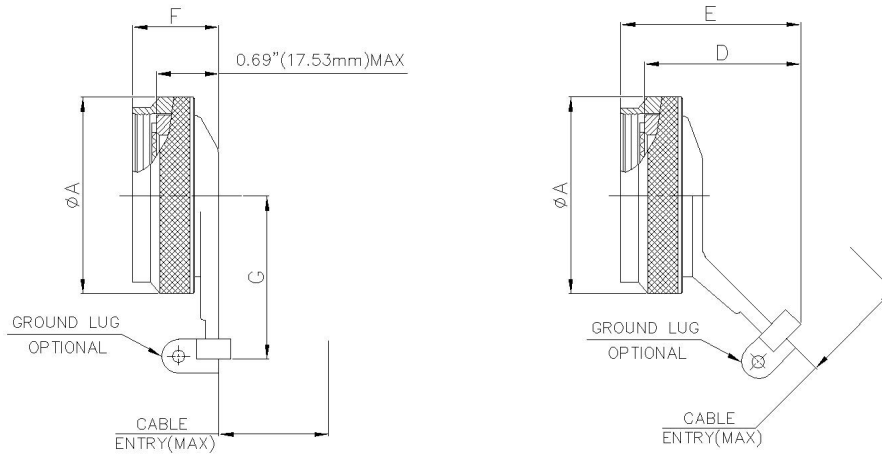


TABLE - A

| MIL PART NUMBER<br>DESIGNATOR | CONNECTOR<br>SHELL SIZE/<br>CODE (REF.) | A DIA.(MAX) |       | D (MAX) |       | E (MAX) |       | F (MAX) |       | G (MAX) |       | CABLE ENTRY<br>MAX |       |
|-------------------------------|---|-------------|-------|---------|-------|---------|-------|---------|-------|---------|-------|--------------------|-------|
|                               |   | INCH        | MM    | INCH    | MM    | INCH    | MM    | INCH    | MM    | INCH    | MM    | INCH               | MM    |
| 9                             | 9 / A                                   | 0.86        | 21.79 | 1.03    | 26.16 | 1.43    | 36.32 | 0.99    | 25.15 | 1.22    | 30.99 | 0.26               | 6.71  |
| 11                            | 11 / B                                  | 0.98        | 24.99 | 1.03    | 26.16 | 1.43    | 36.32 | 0.99    | 25.15 | 1.29    | 32.77 | 0.39               | 9.96  |
| 13                            | 13 / C                                  | 1.16        | 29.39 | 1.03    | 26.16 | 1.43    | 36.32 | 0.99    | 25.15 | 1.62    | 41.15 | 0.51               | 12.85 |
| 15                            | 15 / D                                  | 1.28        | 32.49 | 1.09    | 27.69 | 1.93    | 49.02 | 0.99    | 25.15 | 1.66    | 42.16 | 0.63               | 16.03 |
| 17                            | 17 / E                                  | 1.41        | 35.71 | 1.11    | 28.19 | 1.93    | 49.02 | 0.99    | 25.15 | 1.72    | 43.69 | 0.76               | 19.20 |
| 19                            | 19 / F                                  | 1.52        | 38.51 | 1.21    | 30.73 | 2.03    | 51.56 | 0.99    | 25.15 | 1.72    | 43.69 | 0.85               | 21.46 |
| 21                            | 21 / G                                  | 1.64        | 41.71 | 1.26    | 32.00 | 2.09    | 53.09 | 0.99    | 25.15 | 1.79    | 45.47 | 0.97               | 24.64 |
| 23                            | 23 / H                                  | 1.77        | 44.91 | 1.30    | 33.02 | 2.09    | 53.09 | 0.99    | 25.15 | 1.85    | 46.99 | 1.10               | 27.81 |
| 25                            | 25 / J                                  | 1.89        | 47.98 | 1.34    | 34.04 | 2.24    | 56.90 | 0.99    | 25.15 | 1.91    | 48.51 | 1.22               | 30.99 |

# SHRINK BOOT ADAPTER

## STRAIGHT; SPIN COUPLING

26482 Series II; 5015 (MS345X); 83723 Series III

### MIL Part Number

|        |                |                             |                          |
|--------|----------------|-----------------------------|--------------------------|
| M85049 | /60-1          | W                           | 10                       |
| Series | Slash Sheet    | Finish<br>(Table 2, pg. 14) | Dash Number<br>(Table A) |
|        | 60-1: Straight |                             |                          |

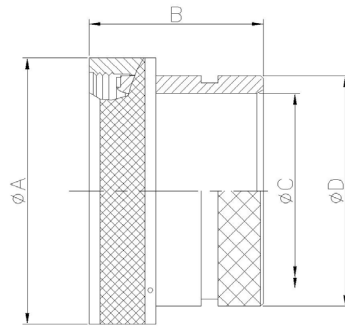


TABLE-A

| MIL PART NUMBER<br>DESIGNATOR | CONNECTOR<br>SHELL SIZE | A DIA. (MAX) |       | B (MAX) |       | C DIA. (MIN) |       | D DIA. (MAX) |       |
|-------------------------------|-------------------------|--------------|-------|---------|-------|--------------|-------|--------------|-------|
|                               |                         | INCH         | MM    | INCH    | MM    | INCH         | MM    | INCH         | MM    |
| DASH NO                       |                         |              |       |         |       |              |       |              |       |
| 8                             | 8                       | 0.62         | 15.67 | 1.19    | 30.15 | 0.25         | 6.35  | 0.53         | 13.54 |
| 10                            | 10                      | 0.73         | 18.64 | 1.19    | 30.15 | 0.36         | 9.02  | 0.61         | 15.37 |
| 12                            | 7/12                    | 0.86         | 21.79 | 1.19    | 30.15 | 0.49         | 12.47 | 0.77         | 19.66 |
| 14                            | 12/14                   | 0.98         | 24.99 | 1.19    | 30.15 | 0.57         | 14.35 | 0.84         | 21.29 |
| 16                            | 19/16                   | 1.11         | 28.24 | 1.19    | 30.15 | 0.69         | 17.53 | 0.96         | 24.46 |
| 18                            | 27/18                   | 1.22         | 30.94 | 1.19    | 30.15 | 0.77         | 19.53 | 1.04         | 26.47 |
| 20                            | 37/20                   | 1.35         | 34.16 | 1.19    | 30.15 | 0.89         | 22.71 | 1.22         | 30.91 |
| 22                            | 22                      | 1.47         | 37.29 | 1.19    | 30.15 | 1.02         | 25.88 | 1.36         | 34.42 |
| 24                            | 24                      | 1.59         | 40.46 | 1.19    | 30.15 | 1.13         | 28.80 | 1.44         | 36.65 |
| 28                            | 28                      | 1.97         | 50.01 | 1.51    | 38.38 | 1.37         | 34.77 | 1.71         | 43.41 |
| 32                            | 32                      | 2.22         | 56.36 | 1.51    | 38.38 | 1.62         | 41.02 | 1.92         | 48.74 |
| 36                            | 36                      | 2.47         | 62.71 | 1.51    | 38.38 | 1.83         | 46.48 | 2.17         | 55.09 |
| 40                            | 40                      | 2.72         | 69.06 | 1.51    | 38.38 | 2.05         | 51.94 | 2.40         | 61.01 |
| 44                            | 44                      | 2.97         | 75.41 | 1.51    | 38.38 | 2.30         | 58.42 | 2.66         | 67.49 |
| 48                            | 48                      | 3.22         | 81.76 | 1.51    | 38.38 | 2.55         | 64.77 | 2.91         | 73.84 |

## STRAIGHT; SPIN COUPLING

38999 Series I & Series II

### MIL Part Number

|        |              |                          |                             |               |
|--------|--------------|--------------------------|-----------------------------|---------------|
| M85049 | /62          | 10                       | W                           | D             |
| Series | Slash Sheet  | Dash Number<br>(Table A) | Finish<br>(Table 2, pg. 14) | D: Drain Hole |
|        | 62: Straight |                          |                             |               |

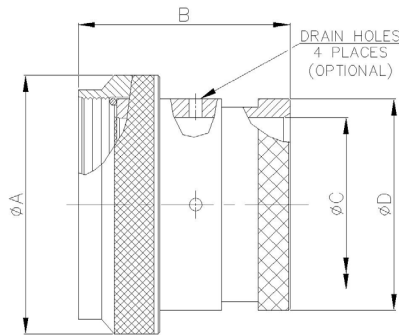


TABLE-A

| MIL PART NUMBER<br>DESIGNATOR | CONNECTOR<br>SHELL SIZE | A DIA. (MAX) |       | B (MAX) |       | C DIA. (MIN) |       | D DIA. (MAX) |       |
|-------------------------------|-------------------------|--------------|-------|---------|-------|--------------|-------|--------------|-------|
|                               |                         | INCH         | MM    | INCH    | MM    | INCH         | MM    | INCH         | MM    |
| DASH NO                       |                         |              |       |         |       |              |       |              |       |
| 8                             | 8                       | 0.62         | 15.67 | 1.19    | 30.15 | 0.25         | 6.35  | 0.53         | 13.54 |
| 10                            | 10                      | 0.73         | 18.64 | 1.19    | 30.15 | 0.36         | 9.02  | 0.61         | 15.37 |
| 12                            | 7/12                    | 0.86         | 21.79 | 1.19    | 30.15 | 0.49         | 12.47 | 0.77         | 19.66 |
| 14                            | 12/14                   | 0.98         | 24.99 | 1.19    | 30.15 | 0.57         | 14.35 | 0.84         | 21.29 |
| 16                            | 19/16                   | 1.11         | 28.24 | 1.19    | 30.15 | 0.69         | 17.53 | 0.96         | 24.46 |
| 18                            | 27/18                   | 1.22         | 30.94 | 1.19    | 30.15 | 0.77         | 19.53 | 1.04         | 26.47 |
| 20                            | 37/20                   | 1.35         | 34.16 | 1.19    | 30.15 | 0.89         | 22.71 | 1.22         | 30.91 |
| 22                            | 22                      | 1.47         | 37.29 | 1.19    | 30.15 | 1.02         | 25.88 | 1.36         | 34.42 |
| 24                            | 24                      | 1.59         | 40.46 | 1.19    | 30.15 | 1.13         | 28.80 | 1.44         | 36.65 |
| 28                            | 28                      | 1.97         | 50.01 | 1.51    | 38.38 | 1.37         | 34.77 | 1.71         | 43.41 |
| 32                            | 32                      | 2.22         | 56.36 | 1.51    | 38.38 | 1.62         | 41.02 | 1.92         | 48.74 |
| 36                            | 36                      | 2.47         | 62.71 | 1.51    | 38.38 | 1.83         | 46.48 | 2.17         | 55.09 |
| 40                            | 40                      | 2.72         | 69.06 | 1.51    | 38.38 | 2.05         | 51.94 | 2.40         | 61.01 |
| 44                            | 44                      | 2.97         | 75.41 | 1.51    | 38.38 | 2.30         | 58.42 | 2.66         | 67.49 |
| 48                            | 48                      | 3.22         | 81.76 | 1.51    | 38.38 | 2.55         | 64.77 | 2.91         | 73.84 |

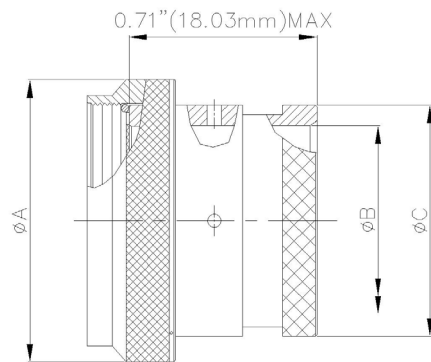
# SHRINK BOOT ADAPTER

## STRAIGHT; SPIN COUPLING

38999 Series III, IV

### MIL Part Number

|        |              |                         |                             |               |
|--------|--------------|-------------------------|-----------------------------|---------------|
| M85049 | /69          | 11                      | W                           | D             |
| Series | Slash Sheet  | Shell Size<br>(Table A) | Finish<br>(Table 2, pg. 14) | D: Drain Hole |
|        | 69: Straight |                         |                             |               |



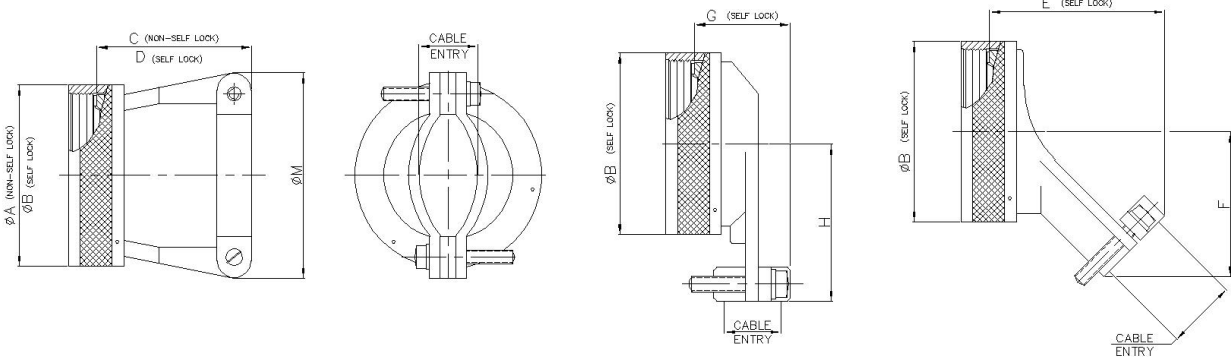
| TABLE-A                    |                                   |              |       |              |       |              |       |
|----------------------------|-----------------------------------|--------------|-------|--------------|-------|--------------|-------|
| MIL PART NUMBER DESIGNATOR | CONNECTOR SHELL SIZE/ CODE (REF.) | A DIA. (MAX) |       | B DIA. (MIN) |       | C DIA. (MAX) |       |
| CONNECTOR SHELL SIZE       |                                   | INCH         | MM    | INCH         | MM    | INCH         | MM    |
| 9                          | 09 / A                            | 0.75         | 19.05 | 0.25         | 6.35  | 0.53         | 13.54 |
| 11                         | 11 / B                            | 0.85         | 21.59 | 0.38         | 9.53  | 0.61         | 15.37 |
| 13                         | 13 / C                            | 1.00         | 25.40 | 0.50         | 12.70 | 0.77         | 19.66 |
| 15                         | 15 / D                            | 1.15         | 29.21 | 0.63         | 15.88 | 0.84         | 21.29 |
| 17                         | 17 / E                            | 1.25         | 31.75 | 0.75         | 19.05 | 0.94         | 23.77 |
| 19                         | 19 / F                            | 1.40         | 35.56 | 0.81         | 20.62 | 1.04         | 26.47 |
| 21                         | 21 / G                            | 1.55         | 39.37 | 0.94         | 23.80 | 1.22         | 30.91 |
| 23                         | 23 / H                            | 1.65         | 41.91 | 1.06         | 26.97 | 1.36         | 34.42 |
| 25                         | 25 / J                            | 1.85         | 46.99 | 1.19         | 30.18 | 1.44         | 36.65 |

# STRAIN RELIEF CLAMP

STRAIGHT; 90° & 45°; SELF-LOCK/NON SELF-LOCK  
26482 Series II; 5015 (MS345X); 83723 Series III

MIL Part Number

|        |                                    |  |                          |                             |
|--------|------------------------------------|--|--------------------------|-----------------------------|
| M85049 | /52                                | -  | 10                       | W                           |
| Series | Slash Sheet                        | Coupling   | Dash Number<br>(Table A) | Finish<br>(Table 2, pg. 14) |
|        | 43: 45°<br>51: 90°<br>52: Straight | S: Self Lock (/51 and /52 Only)<br>-: Non Self Lock (/43 Only)<br>-1: Non Self-Lock (/51 and /52 Only) |                          |                             |



| MIL PART NUMBER DESIGNATOR | CONNECTOR SHELL SIZE | A DIA.(MAX) |       | B DIA.(MAX) |       | C (MAX) |       | D (MAX) |       | E (MAX) |       | F (MAX) |       |
|----------------------------|----------------------|-------------|-------|-------------|-------|---------|-------|---------|-------|---------|-------|---------|-------|
|                            |                      | INCH        | MM    | INCH        | MM    | INCH    | MM    | INCH    | MM    | INCH    | MM    | INCH    | MM    |
| 8                          | 8                    | 0.62        | 15.67 | 0.89        | 22.48 | 0.63    | 16.00 | 0.73    | 18.54 | 1.32    | 33.53 | 0.77    | 19.61 |
| 10                         | 10                   | 0.73        | 18.64 | 1.01        | 25.65 | 0.74    | 18.80 | 0.85    | 21.59 | 1.36    | 34.65 | 0.80    | 20.40 |
| 12                         | 7/12                 | 0.86        | 21.79 | 1.14        | 28.83 | 0.86    | 21.84 | 0.98    | 24.89 | 1.44    | 36.53 | 0.87    | 22.00 |
| 14                         | 12/14                | 0.98        | 24.99 | 1.26        | 32.00 | 0.86    | 21.84 | 0.98    | 24.89 | 1.48    | 37.59 | 0.93    | 23.57 |
| 16                         | 19/16                | 1.11        | 28.24 | 1.39        | 35.18 | 0.99    | 25.15 | 1.10    | 27.94 | 1.59    | 40.28 | 0.99    | 25.17 |
| 18                         | 27/18                | 1.22        | 30.94 | 1.51        | 38.35 | 1.24    | 31.50 | 1.35    | 34.29 | 1.70    | 43.28 | 1.11    | 28.19 |
| 20                         | 37/20                | 1.35        | 34.16 | 1.64        | 41.53 | 1.36    | 34.54 | 1.48    | 37.59 | 1.75    | 44.40 | 1.17    | 29.77 |
| 22                         | 22                   | 1.47        | 37.29 | 1.76        | 44.70 | 1.49    | 37.85 | 1.60    | 40.64 | 1.79    | 45.52 | 1.24    | 31.37 |
| 24                         | 24                   | 1.59        | 40.46 | 1.89        | 47.88 | 1.61    | 40.89 | 1.73    | 43.94 | 1.84    | 46.63 | 1.30    | 32.94 |
| 28                         | 28                   | 1.97        | 50.01 | 2.14        | 54.23 | 1.76    | 44.70 | 1.88    | 47.75 | 1.96    | 49.81 | 1.54    | 39.19 |
| 32                         | 32                   | 2.22        | 56.36 | 2.40        | 60.83 | 1.95    | 49.53 | 2.13    | 54.10 | 2.05    | 52.04 | 1.67    | 42.37 |
| 36                         | 36                   | 2.47        | 62.71 | 2.64        | 66.93 | 2.33    | 59.18 | 2.44    | 61.98 | 2.09    | 53.16 | 1.79    | 45.54 |
| 40                         | 40                   | 2.72        | 69.06 | 2.89        | 73.28 | 2.51    | 63.75 | 2.63    | 66.80 | 2.09    | 53.19 | 1.92    | 48.72 |
| 44                         | 44                   | 2.97        | 75.41 | 3.14        | 79.63 | 2.89    | 73.41 | 3.00    | 76.20 | 2.36    | 59.94 | 2.13    | 54.15 |
| 48                         | 48                   | 3.22        | 81.76 | 3.39        | 85.98 | 3.26    | 82.80 | 3.40    | 86.36 | 2.45    | 62.18 | 2.26    | 57.33 |

# STRAIN RELIEF CLAMP

STRAIGHT; 90° & 45°; SELF-LOCK/NON SELF-LOCK  
26482 Series II; 5015 (MS345X); 83723 Series III

| TABLE - A                     |                         |         |       |         |       |         |       |             |       |      |       |
|-------------------------------|-------------------------|---------|-------|---------|-------|---------|-------|-------------|-------|------|-------|
| MIL PART NUMBER<br>DESIGNATOR | CONNECTOR<br>SHELL SIZE | G (MAX) |       | H (MAX) |       | M (MAX) |       | CABLE ENTRY |       |      |       |
|                               |                         | INCH    | MM    | INCH    | MM    | INCH    | MM    | MIN         |       | MAX  |       |
| DASH NO                       |                         |         |       |         |       |         |       | INCH        | MM    | INCH | MM    |
| 08                            | 8                       | 0.93    | 23.62 | 0.75    | 18.95 | 0.78    | 19.86 | 0.13        | 3.18  | 0.20 | 5.18  |
| 10                            | 10                      | 1.02    | 25.91 | 0.81    | 20.45 | 0.86    | 21.89 | 0.19        | 4.75  | 0.29 | 7.26  |
| 12                            | 7/12                    | 1.21    | 30.73 | 0.87    | 22.02 | 1.00    | 25.48 | 0.29        | 7.39  | 0.42 | 10.57 |
| 14                            | 12/14                   | 1.27    | 32.26 | 0.93    | 23.62 | 1.06    | 26.95 | 0.35        | 8.92  | 0.48 | 12.09 |
| 16                            | 19/16                   | 1.42    | 36.07 | 0.99    | 25.25 | 1.33    | 33.88 | 0.50        | 12.73 | 0.63 | 15.90 |
| 18                            | 27/18                   | 1.53    | 38.86 | 1.17    | 29.74 | 1.47    | 37.24 | 0.52        | 13.16 | 0.71 | 17.93 |
| 20                            | 37/20                   | 1.65    | 41.91 | 1.23    | 31.34 | 1.57    | 39.93 | 0.58        | 14.76 | 0.83 | 21.11 |
| 22                            | 22                      | 1.78    | 45.21 | 1.30    | 32.92 | 1.69    | 42.88 | 0.64        | 16.36 | 0.96 | 24.28 |
| 24                            | 24                      | 1.90    | 48.26 | 1.36    | 34.49 | 1.79    | 45.47 | 0.71        | 17.93 | 1.08 | 27.46 |
| 28                            | 28                      | 2.20    | 55.88 | 1.57    | 39.93 | 2.04    | 51.69 | 0.75        | 19.05 | 1.19 | 30.15 |
| 32                            | 32                      | 2.27    | 57.66 | 1.80    | 45.64 | 2.39    | 60.60 | 0.88        | 22.23 | 1.25 | 31.75 |
| 36                            | 36                      | 2.39    | 60.71 | 1.92    | 48.82 | 2.50    | 63.40 | 0.94        | 23.83 | 1.38 | 34.93 |
| 40                            | 40                      | 2.52    | 64.01 | 2.05    | 51.99 | 2.57    | 65.18 | 0.94        | 23.83 | 1.50 | 38.10 |
| 44                            | 44                      | 2.77    | 70.36 | 2.30    | 58.32 | 2.86    | 72.64 | 1.19        | 30.18 | 1.75 | 44.45 |
| 48                            | 48                      | 2.89    | 73.41 | 2.42    | 61.49 | 3.34    | 84.94 | 1.31        | 33.32 | 1.88 | 47.63 |

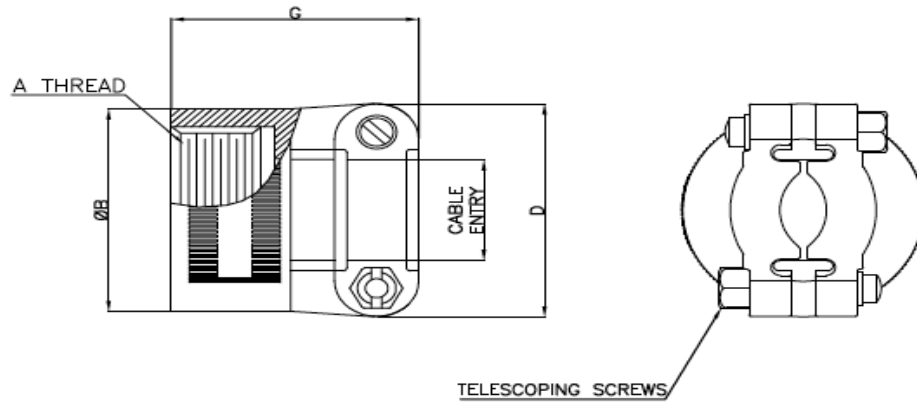


# STRAIN RELIEF CLAMP

## STRAIGHT

### MIL Part Number

|        |                              |                          |                             |
|--------|------------------------------|--------------------------|-----------------------------|
| M85049 | /41                          | 10                       | W                           |
| Series | Slash Sheet                  | Dash Number<br>(Table A) | Finish<br>(Table 2, pg. 14) |
|        | 41: Straight<br>42: Straight |                          |                             |



| MIL PART NUMBER<br>DESIGNATOR | CONNECTOR<br>SHELL SIZE/<br>CODE (REF.) | A Thread<br>Class 2B | CABLE ENTRY (MAX) |      | D (MAX) |      | E (MAX) |       | F (MAX) |       | G (MAX) |       |
|-------------------------------|---|----------------------|-------------------|------|---------|------|---------|-------|---------|-------|---------|-------|
|                               |   |                      | INCH              | MM   | ±.016   | ±.40 | ±.031   | ±.787 | ±.031   | ±.787 | ±.031   | ±.787 |
|                               |   |                      |                   |      | INCH    | MM   | INCH    | MM    | INCH    | MM    | INCH    | MM    |
| 3A                            | 8S, 10S                                 | 0.500-28 UNEF        | 0.250             | 6.4  | 0.406   | 10.3 | 688     | 17.5  | 0.812   | 20.6  | 0.812   | 20.6  |
| 4A                            | 10SL, 12S, 12                           | 0.625-24 UNEF        | 0.312             | 7.9  | 0.406   | 10.3 | 812     | 20.6  | 0.875   | 22.2  | 0.812   | 20.6  |
| 6A                            | 14S, 14                                 | 0.750-20 UNEF        | 0.438             | 11.1 | 0.406   | 10.3 | 969     | 24.6  | 1.062   | 27.0  | 0.875   | 22.2  |
| 8A                            | 16, 16S                                 | 0.875-20 UNEF        | 0.562             | 14.3 | 0.406   | 10.3 | 1.094   | 27.8  | 1.156   | 29.4  | 0.938   | 23.8  |
| 10A                           | 18                                      | 1.000-20 UNEF        | 0.625             | 15.9 | 0.406   | 10.3 | 1.188   | 30.2  | 1.250   | 31.8  | 0.938   | 23.8  |
| 12A                           | 20, 22                                  | 1.188-18 UNEF        | 0.750             | 19.1 | 0.406   | 10.3 | 1.375   | 34.9  | 1.469   | 37.3  | 0.938   | 23.8  |
| 16A                           | 24, 28                                  | 1.438-18 UNEF        | 0.938             | 23.8 | 0.406   | 10.3 | 1.656   | 42.1  | 1.688   | 42.9  | 1.031   | 26.2  |
| 20A                           | 32                                      | 1.750-18 UNS         | 1.250             | 31.8 | 0.469   | 11.9 | 2.031   | 51.6  | 2.031   | 51.6  | 1.094   | 27.8  |
| 24A                           | 36                                      | 2.000-18 UNS         | 1.375             | 34.9 | 0.531   | 13.5 | 2.219   | 56.4  | 2.281   | 57.9  | 1.156   | 29.4  |
| 28A                           | 40                                      | 2.250-16 UN          | 1.625             | 41.3 | 0.531   | 13.5 | 2.500   | 63.5  | 2.688   | 68.3  | 1.688   | 42.9  |
| 32A                           | 44                                      | 2.500-16 UN          | 1.875             | 47.6 | 0.594   | 15.1 | 2.781   | 70.6  | 2.938   | 74.6  | 1.750   | 44.5  |
| 40A                           | 48                                      | 3.00-16 UN           | 2.375             | 60.3 | 0.656   | 16.7 | 3.281   | 83.3  | 3.500   | 88.9  | 1.750   | 44.5  |

# STRAIN RELIEF CLAMP

## STRAIGHT; SELF-LOCK/NON SELF-LOCK

26482 Series II; 5015 (MS345X); 83723 Series III

### MIL Part Number

|        |               |                                  |                          |                             |
|--------|---------------|----------------------------------|--------------------------|-----------------------------|
| M85049 | /118          | -                                | 10                       | W                           |
| Series | Slash Sheet   | Coupling                         | Dash Number<br>(Table A) | Finish<br>(Table 2, pg. 14) |
|        | 118: Straight | S: Self Lock<br>-: Non Self Lock |                          |                             |

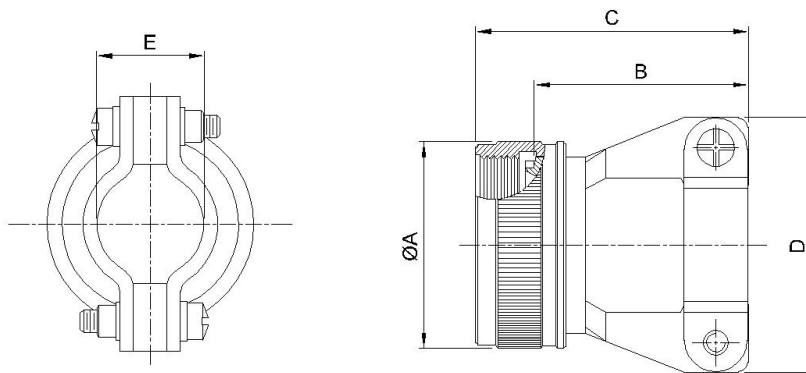


TABLE - A

| MIL PART NUMBER DESIGNATOR | CONNECTOR SHELL SIZE/ CODE (REF.) | A DIA.(MAX) |       | B LENGTH  |             | C (MAX) |       | D (MAX) |       | E (CLOSED) |       |
|----------------------------|-----------------------------------|-------------|-------|-----------|-------------|---------|-------|---------|-------|------------|-------|
|                            |                                   | INCH        | MM    | INCH      | MM          | INCH    | MM    | INCH    | MM    | ±.031      | ±.787 |
| 08                         | 8S                                | 0.89        | 22.61 | 0.77/0.51 | 19.56/12.95 | 1.14    | 28.96 | 0.88    | 22.35 | 0.22       | 5.56  |
| 10                         | 10S, 10SL                         | 1.01        | 25.65 | 0.89/0.64 | 22.61/16.26 | 1.25    | 31.75 | 0.94    | 23.88 | 0.26       | 6.71  |
| 12                         | 12, 12S                           | 1.14        | 28.96 | 1.01/0.76 | 25.65/19.30 | 1.38    | 35.05 | 1.12    | 28.45 | 0.34       | 8.74  |
| 14                         | 14, 14S                           | 1.26        | 32.00 | 1.01/0.76 | 25.65/19.30 | 1.38    | 35.05 | 1.19    | 30.23 | 0.46       | 11.68 |
| 16                         | 16, 16S                           | 1.39        | 35.31 | 1.13/0.88 | 28.70/22.35 | 1.50    | 38.10 | 1.44    | 36.58 | 0.55       | 13.84 |
| 18                         | 18                                | 1.51        | 38.35 | 1.38/1.13 | 35.05/28.70 | 1.75    | 44.45 | 1.56    | 39.62 | 0.62       | 15.62 |
| 20                         | 20                                | 1.64        | 41.66 | 1.51/1.25 | 38.35/31.75 | 1.88    | 47.75 | 1.69    | 42.93 | 0.69       | 17.53 |
| 22                         | 22                                | 1.76        | 44.70 | 1.62/1.38 | 41.15/35.05 | 2.00    | 50.80 | 1.75    | 44.45 | 0.78       | 19.81 |
| 24                         | 24                                | 1.89        | 48.01 | 1.76/1.51 | 44.70/38.35 | 2.13    | 54.10 | 1.88    | 47.75 | 0.85       | 21.59 |
| 28                         | 28                                | 2.14        | 54.36 | 2.03/1.67 | 51.56/42.42 | 2.56    | 65.02 | 2.12    | 53.85 | 0.95       | 24.13 |
| 32                         | 32                                | 2.40        | 60.96 | 2.28/1.87 | 57.91/47.50 | 2.81    | 71.37 | 2.50    | 63.50 | 1.02       | 25.78 |
| 36                         | 36                                | 2.64        | 67.06 | 2.53/2.22 | 64.26/56.39 | 3.06    | 77.72 | 2.62    | 66.55 | 1.19       | 30.15 |
| 40                         | 40                                | 2.89        | 73.41 | 2.63/2.41 | 66.80/61.21 | 3.16    | 80.26 | 2.68    | 68.07 | 1.22       | 30.99 |
| 44                         | 44                                | 3.14        | 79.76 | 3.00/2.80 | 76.20/71.12 | 3.53    | 89.66 | 3.00    | 76.20 | 1.50       | 38.10 |
| 48                         | 48                                | 3.39        | 86.11 | 3.40/3.20 | 86.36/81.28 | 3.93    | 99.82 | 3.50    | 88.90 | 1.63       | 41.28 |

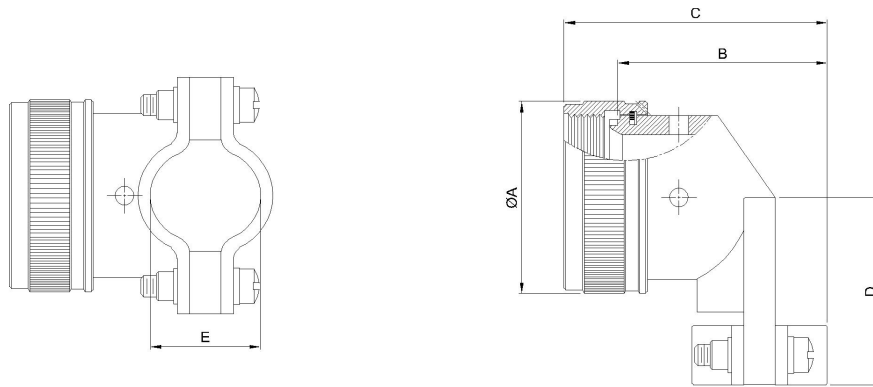
# STRAIN RELIEF CLAMP

## 90°; SELF-LOCK/NON SELF-LOCK

26482 Matrix Series II; 5015 Matrix (MS345X); 83723 Matrix & Pyle & Series III

### MIL Part Number

|        |             |                                  |                          |                             |
|--------|-------------|----------------------------------|--------------------------|-----------------------------|
| M85049 | /120        | -                                | 10                       | W                           |
| Series | Slash Sheet | Coupling                         | Dash Number<br>(Table A) | Finish<br>(Table 2, pg. 14) |
|        | 120: 90°    | S: Self Lock<br>-: Non Self Lock |                          |                             |



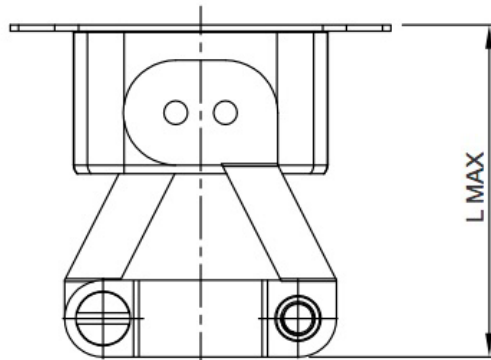
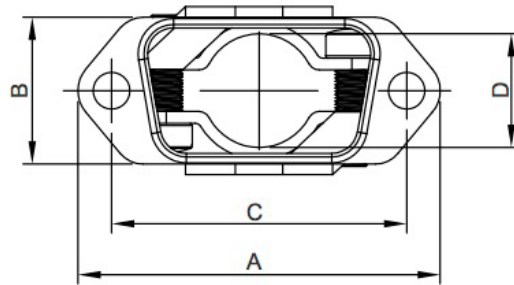
| MIL PART NUMBER DESIGNATOR | CONNECTOR SHELL SIZE | A DIA.(MAX) |       | B (MAX) |       | C (MAX) |       | D (MAX) |       | E (CLOSED) |       |
|----------------------------|----------------------|-------------|-------|---------|-------|---------|-------|---------|-------|------------|-------|
|                            |                      | INCH        | MM    | INCH    | MM    | INCH    | MM    | INCH    | MM    | ±.031      | ±.787 |
| DASH NO                    |                      |             |       |         |       |         |       |         |       |            |       |
| 08                         | 8S                   | 0.88        | 22.35 | 0.93    | 23.62 | 1.29    | 32.77 | 0.81    | 20.57 | 0.22       | 5.56  |
| 10                         | 10S, 10SL            | 0.94        | 23.88 | 1.02    | 25.91 | 1.38    | 35.05 | 0.87    | 22.10 | 0.26       | 6.71  |
| 12                         | 12, 12S              | 1.12        | 28.45 | 1.21    | 30.73 | 1.57    | 39.88 | 0.93    | 23.62 | 0.34       | 8.74  |
| 14                         | 14, 14S              | 1.19        | 30.23 | 1.27    | 32.26 | 1.63    | 41.40 | 1.00    | 25.40 | 0.46       | 11.68 |
| 16                         | 16, 16S              | 1.44        | 36.58 | 1.42    | 36.07 | 1.78    | 45.21 | 1.06    | 26.92 | 0.55       | 13.84 |
| 18                         | 18                   | 1.56        | 39.62 | 1.53    | 38.86 | 1.89    | 48.01 | 1.23    | 31.24 | 0.62       | 15.62 |
| 20                         | 20                   | 1.69        | 42.93 | 1.65    | 41.91 | 2.01    | 51.05 | 1.30    | 33.02 | 0.70       | 17.73 |
| 22                         | 22                   | 1.75        | 44.45 | 1.78    | 45.21 | 2.14    | 54.36 | 1.36    | 34.54 | 0.78       | 19.81 |
| 24                         | 24                   | 1.88        | 47.75 | 1.90    | 48.26 | 2.26    | 57.40 | 1.42    | 36.07 | 0.85       | 21.59 |
| 28                         | 28                   | 2.12        | 53.85 | 2.20    | 55.88 | 2.72    | 69.09 | 1.63    | 41.40 | 0.95       | 24.13 |
| 32                         | 32                   | 2.50        | 63.50 | 2.27    | 57.66 | 2.79    | 70.87 | 1.86    | 47.24 | 1.02       | 25.78 |
| 36                         | 36                   | 2.62        | 66.55 | 2.39    | 60.71 | 2.91    | 73.91 | 1.98    | 50.29 | 1.19       | 30.15 |
| 40                         | 40                   | 2.68        | 68.07 | 2.52    | 64.01 | 3.04    | 77.22 | 2.10    | 53.34 | 1.22       | 30.99 |
| 44                         | 44                   | 3.00        | 76.20 | 2.77    | 70.36 | 3.29    | 83.57 | 2.36    | 59.94 | 1.50       | 38.10 |
| 48                         | 48                   | 3.50        | 88.90 | 2.89    | 73.41 | 3.41    | 86.61 | 2.48    | 62.99 | 1.63       | 41.28 |

# STRAIN RELIEF CLAMP

**STRAIGHT**  
Mil-DTL-24308

MIL Part Number

|        |             |          |                          |                             |
|--------|-------------|----------|--------------------------|-----------------------------|
| M85049 | /48         | 2        | X                        | XX                          |
| Series | Slash Sheet | Straight | Dash Number<br>(Table A) | Finish<br>(Table 2, pg. 14) |



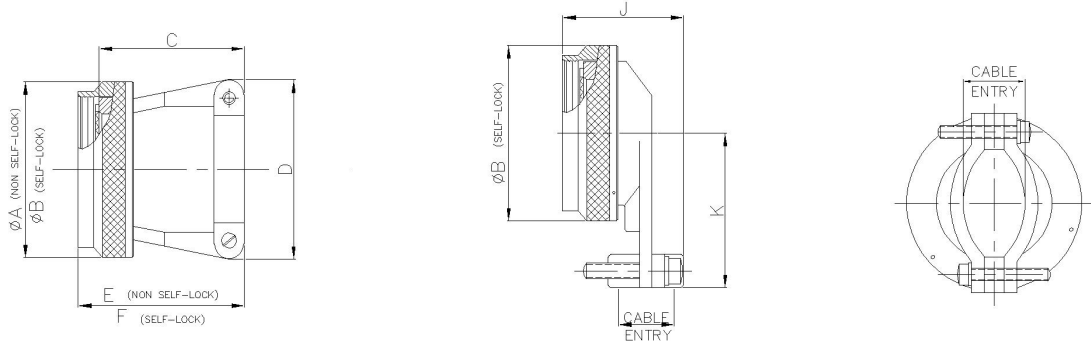
| TABLE - A |                            |                      |                        |      |         |         |         |         |                  |
|-----------|----------------------------|----------------------|------------------------|------|---------|---------|---------|---------|------------------|
| Sr. No    | MIL PART NUMBER DESIGNATOR | CONNECTOR SHELL SIZE | Number of Pins Density |      | A (MAX) | B (MAX) | C (MAX) | D (MAX) | L (MAX) (CLOSED) |
|           |                            |                      | Std.                   | High |         |         |         |         |                  |
| 1         | M2000/48-2-1Z              | 1                    | 9                      | 15   | 30.7    | 12.40   | 24.99   | 10.30   | 27.80            |
| 2         | M2000/48-2-2Z              | 2                    | 15                     | 26   | 39.00   | 12.40   | 33.32   | 10.30   | 27.80            |
| 3         | M2000/48-2-3Z              | 3                    | 25                     | 44   | 52.90   | 12.40   | 47.04   | 15.10   | 28.60            |
| 4         | M2000/48-2-4Z              | 4                    | 37                     | 62   | 69.20   | 12.40   | 63.50   | 18.30   | 28.60            |
| 5         | M2000/48-2-5Z              | 5                    | 50                     | 78   | 66.80   | 15.25   | 61.11   | 18.30   | 28.60            |

# STRAIN RELIEF CLAMP

STRAIGHT; 90°; SELF-LOCK/NON SELF-LOCK  
38999 Series I & Series II

## MIL Part Number

|        |                           |                                  |                          |                             |
|--------|---------------------------|----------------------------------|--------------------------|-----------------------------|
| M85049 | /47                       | -                                | 10                       | W                           |
| Series | Slash Sheet               | Coupling                         | Dash Number<br>(Table A) | Finish<br>(Table 2, pg. 14) |
|        | 49-2: Straight<br>47: 90° | S: Self Lock<br>-: Non Self Lock |                          |                             |



| MIL PART NUMBER DESIGNATOR | CONNECTOR SHELL SIZE SE - II / I | A DIA.(MAX) |       | B DIA.(MAX) |       | C (MAX) |       | D (MAX) |       | E (MAX) |       | F (MAX) |       |
|----------------------------|----------------------------------|-------------|-------|-------------|-------|---------|-------|---------|-------|---------|-------|---------|-------|
|                            |                                  | INCH        | MM    | INCH        | MM    | INCH    | MM    | INCH    | MM    | INCH    | MM    | INCH    | MM    |
| 08                         | 8 / 9                            | 0.75        | 19.05 | 0.86        | 21.82 | 0.91    | 23.11 | 0.85    | 21.59 | 1.10    | 27.94 | 1.15    | 29.21 |
| 10                         | 10 / 11                          | 0.85        | 21.59 | 0.98        | 24.99 | 0.91    | 23.11 | 0.90    | 22.86 | 1.10    | 27.94 | 1.15    | 29.21 |
| 12                         | 12 / 13                          | 1.00        | 25.40 | 1.16        | 29.36 | 1.01    | 25.65 | 1.10    | 27.94 | 1.20    | 30.48 | 1.25    | 31.75 |
| 14                         | 14 / 15                          | 1.10        | 27.94 | 1.28        | 32.54 | 1.06    | 26.92 | 1.15    | 29.21 | 1.25    | 31.75 | 1.30    | 33.02 |
| 16                         | 16 / 17                          | 1.25        | 31.75 | 1.41        | 35.71 | 1.16    | 29.46 | 1.30    | 33.02 | 1.36    | 34.44 | 1.40    | 35.56 |
| 18                         | 18 / 19                          | 1.40        | 35.56 | 1.52        | 38.51 | 1.41    | 35.81 | 1.50    | 38.10 | 1.60    | 40.64 | 1.65    | 41.91 |
| 20                         | 20 / 21                          | 1.50        | 38.10 | 1.64        | 41.68 | 1.51    | 38.35 | 1.60    | 40.64 | 1.70    | 43.21 | 1.75    | 44.45 |
| 24                         | 22 / 23                          | 1.65        | 41.91 | 1.77        | 44.86 | 1.66    | 42.16 | 1.70    | 43.18 | 1.85    | 46.99 | 1.90    | 48.26 |
| 24                         | 24 / 25                          | 1.75        | 44.45 | 1.89        | 48.03 | 1.76    | 44.70 | 1.80    | 45.72 | 1.95    | 49.56 | 2.00    | 50.80 |

| MIL PART NUMBER DESIGNATOR | CONNECTOR SHELL SIZE SE - II / I | J (MAX) |       | K (MAX) |       | CABLE ENTRY |       |      |       |
|----------------------------|----------------------------------|---------|-------|---------|-------|-------------|-------|------|-------|
|                            |                                  | INCH    | MM    | INCH    | MM    | MIN         |       | MAX  |       |
|                            |                                  |         |       |         |       | INCH        | MM    | INCH | MM    |
| 08                         | 8 / 9                            | 1.38    | 35.05 | 1.00    | 25.40 | 0.10        | 2.49  | 0.23 | 5.94  |
| 10                         | 10 / 11                          | 1.38    | 35.05 | 1.10    | 27.94 | 0.15        | 3.89  | 0.23 | 5.94  |
| 12                         | 12 / 13                          | 1.46    | 37.08 | 1.10    | 27.94 | 0.19        | 4.83  | 0.33 | 8.33  |
| 14                         | 14 / 15                          | 1.63    | 41.40 | 1.25    | 31.75 | 0.26        | 6.60  | 0.46 | 11.61 |
| 16                         | 16 / 17                          | 1.80    | 45.72 | 1.30    | 33.02 | 0.28        | 7.19  | 0.61 | 15.60 |
| 18                         | 18 / 19                          | 1.82    | 46.23 | 1.35    | 34.29 | 0.33        | 8.26  | 0.63 | 16.10 |
| 20                         | 20 / 21                          | 1.90    | 48.26 | 1.60    | 40.64 | 0.34        | 8.71  | 0.70 | 17.73 |
| 22                         | 22 / 23                          | 2.04    | 51.82 | 1.75    | 44.45 | 0.38        | 9.68  | 0.82 | 20.90 |
| 24                         | 24 / 25                          | 2.15    | 54.61 | 1.85    | 46.99 | 0.42        | 10.62 | 0.85 | 21.67 |

# STRAIN RELIEF CLAMP

## STRAIGHT; SELF-LOCK/NON SELF-LOCK

38999 Series I & Series II

### MIL Part Number

|        |               |                                  |                          |                             |
|--------|---------------|----------------------------------|--------------------------|-----------------------------|
| M85049 | /121          | -                                | 10                       | W                           |
| Series | Slash Sheet   | Coupling                         | Dash Number<br>(Table A) | Finish<br>(Table 2, pg. 14) |
|        | 121: Straight | S: Self Lock<br>-: Non Self Lock |                          |                             |

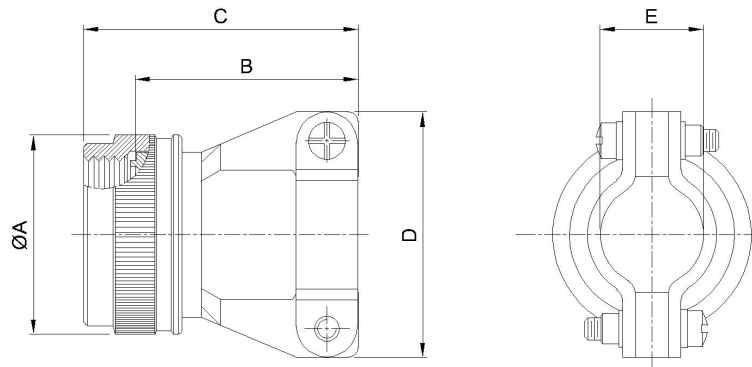


TABLE - A

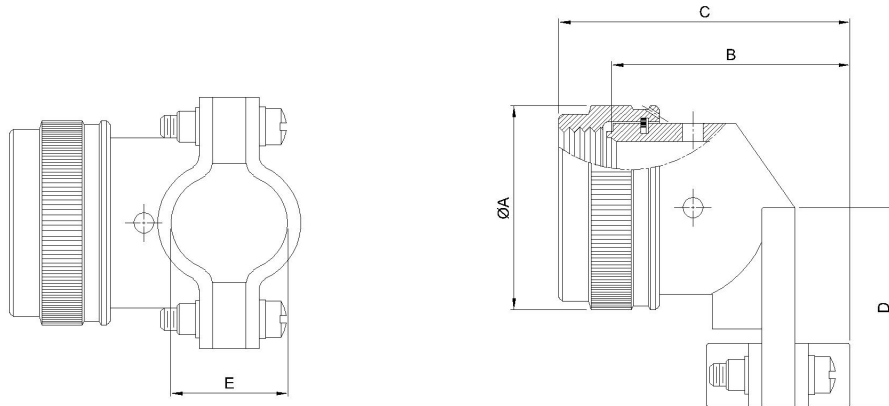
| MIL PART NUMBER<br>DESIGNATOR | CONNECTOR<br>SHELL SIZE<br>SE - II / I | A DIA. (MAX) |       | B LENGTH  |             | C (MAX) |       | D (MAX) |       | E (CLOSED) |       |
|-------------------------------|--|--------------|-------|-----------|-------------|---------|-------|---------|-------|------------|-------|
|                               |  | INCH         | MM    | INCH      | MM          | INCH    | MM    | INCH    | MM    | ±.031      | ±.787 |
| DASH NO                       |  |              |       |           |             |         |       |         |       | INCH       | MM    |
| 08                            | 08                                     | 0.86         | 21.79 | 0.77/0.51 | 19.56/12.95 | 1.01    | 25.65 | 0.88    | 22.35 | 0.22       | 5.56  |
| 10                            | 10                                     | 0.98         | 24.99 | 0.89/0.64 | 22.61/16.26 | 1.13    | 28.70 | 0.94    | 23.88 | 0.26       | 6.71  |
| 12                            | 12                                     | 1.16         | 29.39 | 1.01/0.76 | 25.65/19.30 | 1.25    | 31.75 | 1.12    | 28.45 | 0.34       | 8.74  |
| 14                            | 14                                     | 1.28         | 32.49 | 1.01/0.76 | 25.65/19.30 | 1.25    | 31.75 | 1.19    | 30.23 | 0.46       | 11.68 |
| 16                            | 16                                     | 1.41         | 35.71 | 1.13/0.88 | 28.70/22.35 | 1.37    | 34.80 | 1.44    | 36.58 | 0.55       | 13.84 |
| 18                            | 18                                     | 1.52         | 38.51 | 1.38/1.13 | 35.05/28.70 | 1.62    | 41.15 | 1.56    | 39.62 | 0.62       | 15.62 |
| 20                            | 20                                     | 1.64         | 41.71 | 1.51/1.25 | 38.35/31.75 | 1.75    | 44.45 | 1.69    | 42.93 | 0.69       | 17.53 |
| 22                            | 22                                     | 1.77         | 44.91 | 1.62/1.38 | 41.15/35.05 | 1.87    | 47.50 | 1.75    | 44.45 | 0.78       | 19.81 |
| 24                            | 24                                     | 1.87         | 47.47 | 1.76/1.51 | 44.70/38.35 | 2.00    | 50.80 | 1.88    | 47.75 | 0.85       | 21.59 |

# STRAIN RELIEF CLAMP

STRAIGHT; 90°; SELF-LOCK/NON SELF-LOCK  
38999 Series I & Series II

## MIL Part Number

|        |             |                                  |                          |                             |
|--------|-------------|----------------------------------|--------------------------|-----------------------------|
| M85049 | /123        | -                                | 10                       | W                           |
| Series | Slash Sheet | Coupling                         | Dash Number<br>(Table A) | Finish<br>(Table 2, pg. 14) |
|        | 123: 90°    | S: Self Lock<br>-: Non Self Lock |                          |                             |



| MIL PART NUMBER<br>DESIGNATOR | CONNECTOR<br>SHELL SIZE<br>SE - II / I | A DIA.(MAX) |       | B (MAX) |       | C (MAX) |       | D (MAX) |       | E (CLOSED) |       |
|-------------------------------|--|-------------|-------|---------|-------|---------|-------|---------|-------|------------|-------|
|                               |  | INCH        | MM    | INCH    | MM    | INCH    | MM    | INCH    | MM    | ±.031      | ±.787 |
| DASH NO                       |  |             |       |         |       |         |       |         |       | INCH       | MM    |
| 08                            | 08                                     | 0.86        | 21.79 | 0.86    | 21.84 | 1.10    | 27.94 | 0.81    | 20.57 | 0.22       | 5.56  |
| 10                            | 10                                     | 0.98        | 24.99 | 0.94    | 23.88 | 1.18    | 29.97 | 0.87    | 22.10 | 0.26       | 6.71  |
| 12                            | 12                                     | 1.16        | 29.39 | 1.14    | 28.96 | 1.38    | 35.05 | 0.93    | 23.62 | 0.34       | 8.74  |
| 14                            | 14                                     | 1.28        | 32.49 | 1.20    | 30.48 | 1.44    | 36.58 | 0.99    | 25.15 | 0.46       | 11.68 |
| 16                            | 16                                     | 1.41        | 35.71 | 1.34    | 34.04 | 1.58    | 40.13 | 1.06    | 26.92 | 0.55       | 13.84 |
| 18                            | 18                                     | 1.52        | 38.51 | 1.46    | 37.08 | 1.70    | 43.18 | 1.23    | 31.24 | 0.62       | 15.62 |
| 20                            | 20                                     | 1.64        | 41.71 | 1.58    | 40.13 | 1.82    | 46.23 | 1.30    | 33.02 | 0.70       | 17.73 |
| 22                            | 22                                     | 1.77        | 44.91 | 1.71    | 43.43 | 1.95    | 49.53 | 1.36    | 34.54 | 0.78       | 19.81 |
| 24                            | 24                                     | 1.87        | 47.47 | 1.83    | 46.48 | 2.07    | 52.58 | 1.42    | 36.07 | 0.85       | 21.59 |

# STRAIN RELIEF CLAMP

## STRAIGHT; 90°; SELF-LOCK/NON SELF-LOCK 38999 Series III & Series IV

### MIL Part Number

|        |                         |                                  |                         |                             |
|--------|-------------------------|----------------------------------|-------------------------|-----------------------------|
| M85049 | /38                     | -                                | 11                      | W                           |
| Series | Slash Sheet             | Coupling                         | Shell Size<br>(Table A) | Finish<br>(Table 2, pg. 14) |
|        | 38: Straight<br>39: 90° | S: Self Lock<br>-: Non Self Lock |                         |                             |

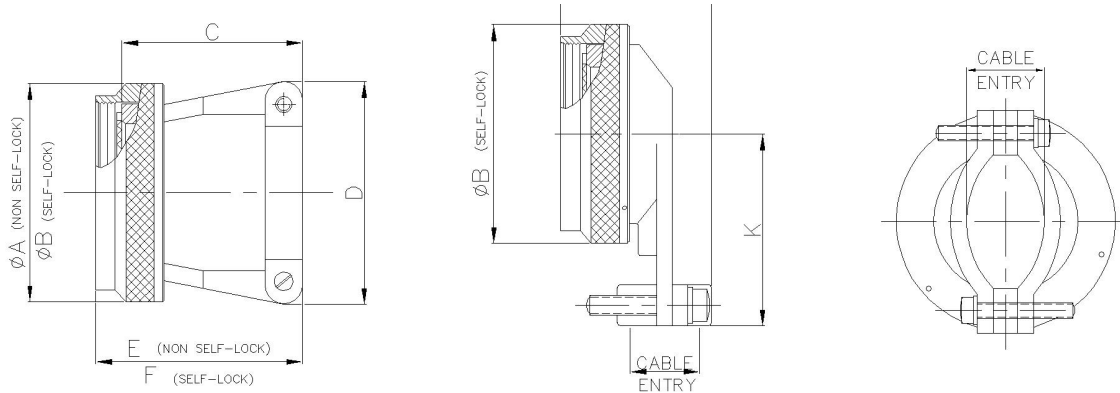


TABLE - A

| MIL PART NUMBER<br>DESIGNATOR | CONNECTOR<br>SHELL SIZE/<br>CODE (REF.) | A DIA.(MAX) |       | B DIA.(MAX) |       | C (MAX) |       | D (MAX) |       | E (MAX) |       | F (MAX) |       |
|-------------------------------|---|-------------|-------|-------------|-------|---------|-------|---------|-------|---------|-------|---------|-------|
|                               |   | INCH        | MM    | INCH        | MM    | INCH    | MM    | INCH    | MM    | INCH    | MM    | INCH    | MM    |
| 09                            | 9 / A                                   | 0.75        | 19.05 | 0.86        | 21.82 | 0.91    | 23.11 | 0.85    | 21.59 | 1.10    | 27.94 | 1.21    | 30.73 |
| 11                            | 11 / B                                  | 0.85        | 21.59 | 0.98        | 24.99 | 0.91    | 23.11 | 0.90    | 22.86 | 1.10    | 27.94 | 1.21    | 30.73 |
| 13                            | 13 / C                                  | 1.00        | 25.40 | 1.16        | 29.36 | 1.01    | 25.65 | 1.10    | 27.94 | 1.20    | 30.48 | 1.31    | 33.27 |
| 15                            | 15 / D                                  | 1.10        | 27.94 | 1.28        | 32.54 | 1.06    | 26.92 | 1.15    | 29.21 | 1.25    | 31.75 | 1.35    | 34.29 |
| 17                            | 17 / E                                  | 1.25        | 31.75 | 1.41        | 35.71 | 1.16    | 29.46 | 1.30    | 33.02 | 1.36    | 34.44 | 1.45    | 36.83 |
| 19                            | 19 / F                                  | 1.40        | 35.56 | 1.52        | 38.51 | 1.41    | 35.81 | 1.50    | 38.10 | 1.60    | 40.64 | 1.71    | 43.43 |
| 21                            | 21 / G                                  | 1.50        | 38.10 | 1.64        | 41.68 | 1.51    | 38.35 | 1.60    | 40.64 | 1.70    | 43.21 | 1.81    | 45.97 |
| 23                            | 23 / H                                  | 1.65        | 41.91 | 1.77        | 44.86 | 1.66    | 42.16 | 1.70    | 43.18 | 1.85    | 46.99 | 1.95    | 49.53 |
| 25                            | 25 / J                                  | 1.75        | 44.45 | 1.89        | 48.03 | 1.76    | 44.70 | 1.80    | 45.72 | 1.95    | 49.56 | 2.05    | 52.07 |

TABLE - A, cont.

| MIL PART NUMBER<br>DESIGNATOR | CONNECTOR<br>SHELL SIZE/<br>CODE (REF.) | J (MAX) |       | K (MAX) |       | CABLE ENTRY |       |      |       |
|-------------------------------|---|---------|-------|---------|-------|-------------|-------|------|-------|
|                               |   | INCH    | MM    | INCH    | MM    | MIN         |       | MAX  |       |
| CONNECTOR<br>SHELL SIZE       |   |         |       |         |       | INCH        | MM    | INCH | MM    |
| 9                             | 9 / A                                   | 1.31    | 33.27 | 1.00    | 25.40 | 0.10        | 2.49  | 0.23 | 5.94  |
| 11                            | 11 / B                                  | 1.31    | 33.27 | 1.10    | 27.94 | 0.15        | 3.89  | 0.23 | 5.94  |
| 13                            | 13 / C                                  | 1.51    | 38.35 | 1.10    | 27.94 | 0.19        | 4.83  | 0.33 | 8.33  |
| 15                            | 15 / D                                  | 1.55    | 39.37 | 1.25    | 31.75 | 0.26        | 6.60  | 0.46 | 11.61 |
| 17                            | 17 / E                                  | 1.71    | 43.43 | 1.30    | 33.02 | 0.28        | 7.19  | 0.61 | 15.60 |
| 19                            | 19 / F                                  | 1.81    | 45.97 | 1.35    | 34.29 | 0.33        | 8.26  | 0.63 | 16.10 |
| 21                            | 21 / G                                  | 1.95    | 49.53 | 1.60    | 40.64 | 0.34        | 8.71  | 0.70 | 17.73 |
| 23                            | 23 / H                                  | 2.10    | 53.34 | 1.75    | 44.45 | 0.38        | 9.68  | 0.82 | 20.90 |
| 25                            | 25 / J                                  | 2.21    | 56.13 | 1.85    | 46.99 | 0.42        | 10.62 | 0.85 | 21.67 |



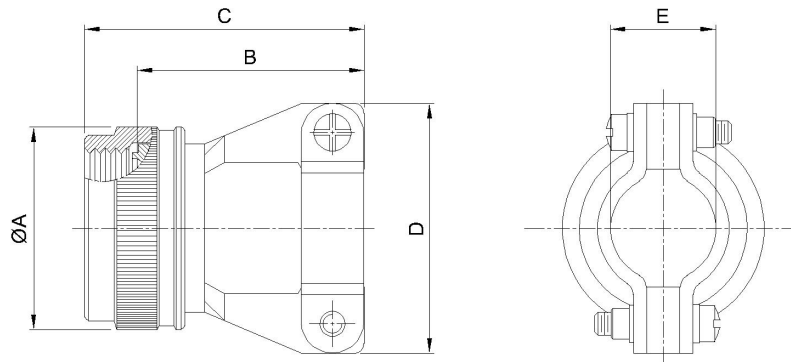
# STRAIN RELIEF CLAMP

## STRAIGHT; SELF-LOCK/NON SELF-LOCK

38999 Series III & Series IV

### MIL Part Number

|        |             |                                  |                          |                             |
|--------|-------------|----------------------------------|--------------------------|-----------------------------|
| M85049 | /124        | -                                | 10                       | W                           |
| Series | Slash Sheet | Coupling                         | Dash Number<br>(Table A) | Finish<br>(Table 2, pg. 14) |
|        | 124: 90°    | S: Self Lock<br>-: Non Self Lock |                          |                             |



| MIL PART NUMBER<br>DESIGNATOR | CONNECTOR<br>SHELL SIZE/<br>CODE (REF.) | A DIA.(MAX) |       | B LENGTH  |             | C (MAX) |       | D (MAX) |       | E (CLOSED) |       |
|-------------------------------|---|-------------|-------|-----------|-------------|---------|-------|---------|-------|------------|-------|
|                               |   | INCH        | MM    | INCH      | MM          | INCH    | MM    | INCH    | MM    | ±.031      | ±.787 |
|                               |   |             |       |           |             |         |       |         |       | INCH       | MM    |
| 09                            | 9 / A                                   | 0.86        | 21.79 | 0.77/0.51 | 19.56/12.95 | 1.01    | 25.65 | 0.88    | 22.35 | 0.22       | 5.56  |
| 11                            | 11 / B                                  | 0.98        | 24.99 | 0.89/0.64 | 22.61/16.26 | 1.13    | 28.70 | 0.94    | 23.88 | 0.26       | 6.71  |
| 13                            | 13 / C                                  | 1.16        | 29.39 | 1.01/0.76 | 25.65/19.30 | 1.25    | 31.75 | 1.12    | 28.45 | 0.34       | 8.74  |
| 15                            | 15 / D                                  | 1.28        | 32.49 | 1.01/0.76 | 25.65/19.30 | 1.25    | 31.75 | 1.19    | 30.23 | 0.46       | 11.68 |
| 17                            | 17 / E                                  | 1.41        | 35.71 | 1.13/0.88 | 28.70/22.35 | 1.37    | 34.80 | 1.44    | 36.58 | 0.55       | 13.84 |
| 19                            | 19 / F                                  | 1.52        | 38.51 | 1.38/1.13 | 35.05/28.70 | 1.62    | 41.15 | 1.56    | 39.62 | 0.62       | 15.62 |
| 21                            | 21 / G                                  | 1.64        | 41.71 | 1.51/1.25 | 38.35/31.75 | 1.75    | 44.45 | 1.69    | 42.93 | 0.69       | 17.53 |
| 23                            | 23 / H                                  | 1.77        | 44.91 | 1.62/1.38 | 41.15/35.05 | 1.87    | 47.50 | 1.75    | 44.45 | 0.78       | 19.81 |
| 25                            | 25 / J                                  | 1.87        | 47.47 | 1.76/1.51 | 44.70/38.35 | 2.00    | 50.80 | 1.88    | 47.75 | 0.85       | 21.59 |

# STRAIN RELIEF CLAMP

90°; SELF-LOCK/NON SELF-LOCK  
38999 Series III & Series IV

MIL Part Number

|        |             |                                  |                       |                             |
|--------|-------------|----------------------------------|-----------------------|-----------------------------|
| M85049 | /126        | -                                | 11                    | W                           |
| Series | Slash Sheet | Coupling                         | She Size<br>(Table A) | Finish<br>(Table 2, pg. 14) |
|        | 126: 90°    | S: Self Lock<br>-: Non Self Lock |                       |                             |

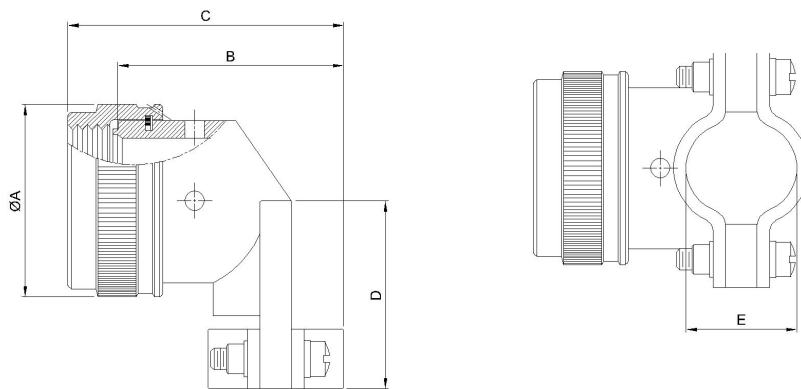


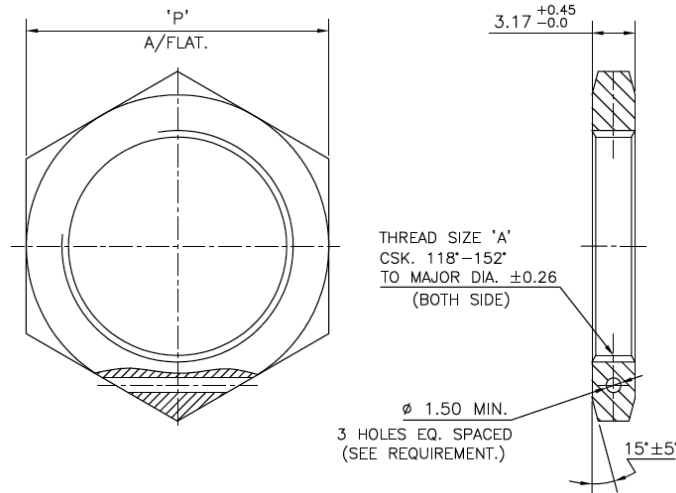
TABLE - A

| MIL PART NUMBER DESIGNATOR | CONNECTOR SHELL SIZE/ CODE (REF.) | A DIA.(MAX) |       | B LENGTH  |             | C (MAX) |       | D (MAX) |       | E (CLOSED) |       |
|----------------------------|-----------------------------------|-------------|-------|-----------|-------------|---------|-------|---------|-------|------------|-------|
|                            |                                   | INCH        | MM    | INCH      | MM          | INCH    | MM    | INCH    | MM    | ±.031      | ±.787 |
|                            |                                   |             |       |           |             |         |       |         |       | INCH       | MM    |
| 09                         | 9 / A                             | 0.86        | 21.79 | 0.77/0.51 | 19.56/12.95 | 1.01    | 25.65 | 0.88    | 22.35 | 0.22       | 5.56  |
| 11                         | 11 / B                            | 0.98        | 24.99 | 0.89/0.64 | 22.61/16.26 | 1.13    | 28.70 | 0.94    | 23.88 | 0.26       | 6.71  |
| 13                         | 13 / C                            | 1.16        | 29.39 | 1.01/0.76 | 25.65/19.30 | 1.25    | 31.75 | 1.12    | 28.45 | 0.34       | 8.74  |
| 15                         | 15 / D                            | 1.28        | 32.49 | 1.01/0.76 | 25.65/19.30 | 1.25    | 31.75 | 1.19    | 30.23 | 0.46       | 11.68 |
| 17                         | 17 / E                            | 1.41        | 35.71 | 1.13/0.88 | 28.70/22.35 | 1.37    | 34.80 | 1.44    | 36.58 | 0.55       | 13.84 |
| 19                         | 19 / F                            | 1.52        | 38.51 | 1.38/1.13 | 35.05/28.70 | 1.62    | 41.15 | 1.56    | 39.62 | 0.62       | 15.62 |
| 21                         | 21 / G                            | 1.64        | 41.71 | 1.51/1.25 | 38.35/31.75 | 1.75    | 44.45 | 1.69    | 42.93 | 0.69       | 17.53 |
| 23                         | 23 / H                            | 1.77        | 44.91 | 1.62/1.38 | 41.15/35.05 | 1.87    | 47.50 | 1.75    | 44.45 | 0.78       | 19.81 |
| 25                         | 25 / J                            | 1.87        | 47.47 | 1.76/1.51 | 44.70/38.35 | 2.00    | 50.80 | 1.88    | 47.75 | 0.85       | 21.59 |

# HEXAGON PANEL NUT FOR SER-III & IV

## MIL Part Number

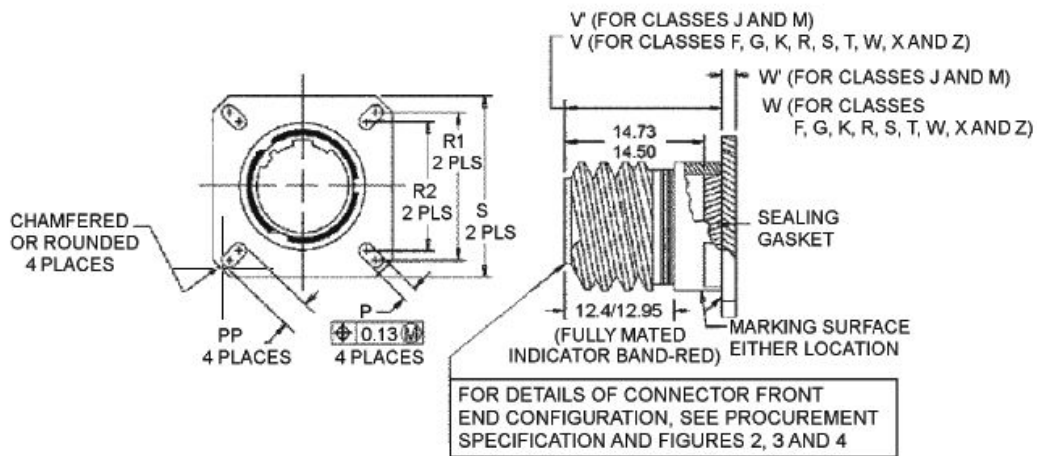
|                     |                            |             |   |
|---------------------|----------------------------|-------------|---|
| J D38999            | /28                        | 11          | F   |
| MIL Number prefix I | Specification sheet number | Dash Number | Class   |
|                     |                            |             | F - Electroless nickel finish.<br>W- Aluminum, 500 hrs cadmium olive drab |



| Dash # | Shell Size |        | "A" Thread Size | Modified    | P Hex.        |
|--------|------------|--------|-----------------|-------------|---------------|
|        | Ser-III    | Ser-IV |                 |             |               |
| 1      | 09         | --     | M17 X 1-6H      | 16.04/16.15 | 24.0<br>21.82 |
| 2      | 11         | --     | M20 X 1-6H      | 19.07/19.15 | 27.0<br>24.99 |
| 3      | 13         | 11     | M25 X 1-6H      | ---         | 32.0<br>29.77 |
| 4      | 15         | 12     | M28 X 1-6H      | ---         | 36.0<br>32.91 |
| 5      | --         | 15     | M31 X 1-6H      | ---         | 41.0<br>39.26 |
| 6      | 17         | --     | M32 X 1-6H      | ---         | 37.0<br>36.12 |
| 7      | --         | 17     | M34 X 1-6H      | ---         | 41.0<br>39.25 |
| 8      | 19         | --     | M35 X 1-6H      | ---         | 41.0<br>39.25 |
| 9      | 21         | 19     | M38 X 1-6H      | ---         | 46.0<br>42.47 |
| 10     | 23         | 21     | M41 X 1-6H      | ---         | 50.0<br>45.61 |
| 11     | 25         | 23     | M44 X 1-6H      | ---         | 51.0<br>49.25 |
| 12     | --         | 23     | M47 X 1-6H      | ---         | 55.0<br>53.54 |

MIL Part Number

|                   |                            |                 |  |
|-------------------|----------------------------|-----------------|--|
| D38999            | /22                        | B               | W  |
| MIL Number prefix | Specification sheet number | Shell size code | Class  |
|                   |                            |                 | <b>Shell size codes A, A1 and A2 for shell size 9 only:</b> <ul style="list-style-type: none"> <li>• Shell size code A is a universal configuration for use with plugs with mating key polarizations A, B, C, D, E and N.</li> <li>• Shell size code A1 is for use with plugs with mating key polarizations C, E or N.</li> <li>• Shell size code A2 is for use with plugs with mating key polarizations A, B or D.</li> </ul> |



| Shell Size | Class | S<br>.3      | V<br>+0.00<br>-0.13 | V'<br>+1.4<br>-0.0 | W<br>3     | W'                        |
|------------|-------|--------------|---------------------|--------------------|------------|---------------------------|
| 9          | A     | 23.8 (.937)  | 20.83 (.820)        | 19.5 (.768)        | 2.5 (.098) | 3.65 (.144)<br>2.2 (.087) |
| 9          | A     | 23.8 (.937)  | 20.83 (.820)        | 19.5 (.768)        | 2.5 (.098) | 3.65 (.144)<br>2.2 (.087) |
| 9          | A     | 23.8 (.937)  | 20.83 (.820)        | 19.5 (.768)        | 2.5 (.098) | 3.65 (.144)<br>2.2 (.087) |
| 11         | B     | 26.2 (1.031) | 20.83 (.820)        | 19.5 (.768)        | 2.5 (.098) | 3.65 (.144)<br>2.2 (.087) |
| 13         | C     | 28.6 (1.126) | 20.83 (.820)        | 19.5 (.768)        | 2.5 (.098) | 3.65 (.144)<br>2.2 (.087) |
| 15         | D     | 31.0 (1.220) | 20.83 (.820)        | 19.5 (.768)        | 2.5 (.098) | 3.65 (.144)<br>2.2 (.087) |
| 17         | E     | 33.3 (1.311) | 20.83 (.820)        | 19.5 (.768)        | 2.5 (.098) | 3.65 (.144)<br>2.2 (.087) |
| 19         | F     | 36.5 (1.437) | 20.83 (.820)        | 19.5 (.768)        | 2.5 (.098) | 3.65 (.144)<br>2.2 (.087) |
| 21         | G     | 39.7 (1.563) | 20.07 (.790)        | 18.7 (.736)        | 3.2 (.126) | 4.35 / 2.9 (.171 / .114)  |
| 23         | H     | 42.9 (1.689) | 20.07 (.790)        | 18.7 (.736)        | 3.2 (.126) | 4.35 / 2.9 (.171 / .114)  |
| 25         | J     | 46.0 (1.811) | 20.07 (.790)        | 18.7 (.736)        | 3.2 (.126) | 4.35 / 2.9 (.171 / .114)  |

# APPENDIX

| Military Series | Amphenol Series | Page |            |          |    |
|-----------------|-----------------|------|------------|----------|----|
| M85049/6        | BV1BRJ          | 38   | M85049/78  | BV1BRL   | 48 |
| M85049/7        | BE1BRJ          | 33   | M85049/79  | BV1ARL   | 48 |
| M85049/8        | BV1ARJ          | 38   | M85049/82  | BL1SSJ   | 16 |
| M85049/9        | BE1ARJ          | 33   | M85049/83  | BL1BSJ   | 16 |
| M85049/10       | BV1SRJ          | 35   | M85049/84  | BL1ASJ   | 16 |
| M85049/11       | BE1SRJ          | 30   | M85049/85  | BL1SSK   | 17 |
| M85049/14       | BG1SRL          | 52   | M85049/86  | BL1BSK   | 17 |
| M85049/15       | BQ1BRL          | 75   | M85049/87  | BL1ASK   | 17 |
| M85049/16       | BQ1ARL          | 75   | M85049/88  | BL1SSL   | 18 |
| M85049/17       | BV1SDK          | 40   | M85049/89  | BL1BSL   | 18 |
| M85049/18       | BV1SRL          | 45   | M85049/90  | BL1ASL   | 18 |
| M85049/19       | BM1SRL          | 67   | M85049/109 | BH1SRJ   | 70 |
| M85049/20       | BC2SRL          | 21   | M85049/111 | BH1ARJ   | 70 |
| M85049/21       | BN1SRL          | 56   | M85049/112 | BH1SRK   | 71 |
| M85049/23       | BM1BRJ          | 62   | M85049/114 | BH1ARK   | 71 |
| M85049/24       | BM1ARJ          | 62   | M85049/115 | BH1SRL   | 72 |
| M85049/25       | BM1SRJ          | 59   | M85049/117 | BH1ARL   | 72 |
| M85049/26-1     | BC2SRJ          | 19   | M85049/118 | BS014SSJ | 82 |
| M85049/26-2     | BC3XXX          | 19   | M85049/120 | BS014ASJ | 83 |
| M85049/26-3     | BC1SRJ          | 19   | M85049/121 | BS014SSK | 86 |
| M85049/27       | BG1SRK          | 57   | M85049/123 | BS014ASK | 87 |
| M85049/29       | BN1SDK          | 53   | M85049/124 | BS014SS  | 89 |
| M85049/31       | BG1SRJ          | 50   | M85049/126 | BS014ASL | 90 |
| M85049/33-2     | BC2SRK          | 20   |            |          |    |
| M85049/36       | BM1SDK          | 64   |            |          |    |
| M85049/38       | BS1SRL          | 88   |            |          |    |
| M85049/39       | BS1ARL          | 88   |            |          |    |
| M85049/42       | -               | 81   |            |          |    |
| M85049/43       | BS1BRJ          | 79   |            |          |    |
| M85049/47       | BS1ARK          | 85   |            |          |    |
| M85049/49-2     | BS1SRK          | 85   |            |          |    |
| M85049/51       | BS1ARJ          | 79   |            |          |    |
| M85049/52       | BS1SRJ          | 79   |            |          |    |
| M85049/53       | BQ1SRJ          | 73   |            |          |    |
| M85049/54       | BQ1BRJ          | 73   |            |          |    |
| M85049/55       | BQ1ARJ          | 73   |            |          |    |
| M85049/56       | BQ1SRK          | 74   |            |          |    |
| M85049/57       | BQ1BRKBB1SRJ    | 74   |            |          |    |
| M85049/60-1     | BB1SRJ          | 76   |            |          |    |
| M85049/60-2     | BB2SRJ          | 76   |            |          |    |
| M85049/62       | BB1SRK          | 77   |            |          |    |
| M85049/63       | BQ1ARK          | 74   |            |          |    |
| M85049/69       | BB1SRL          | 78   |            |          |    |
| M85049/76       | BV1ARK          | 43   |            |          |    |
| M85049/77       | BV1BRK          | 43   |            |          |    |

## *USA*

### **Amphenol Pcd**

72 Cherry Hill Dr.  
Beverly, MA 01915 USA  
1.978.624.3400  
info@amphenolpcd.com  
[www.amphenolpcd.com](http://www.amphenolpcd.com)  
[www.backshellworld.com](http://www.backshellworld.com)

---

## *Germany*

### **Amphenol AirLB GmbH**

Am Kleinbahnhof 4 Saarlouis  
D-66740, Germany  
49.6831.9810.00  
[www.amphenol-airlb.de](http://www.amphenol-airlb.de)

---

## *India*

### **Amphenol Interconnect India**

105, Bhosari Industrial Area  
Pune-411 026, India  
91.20.3068.8304  
[www.amphenol-in.com](http://www.amphenol-in.com)

---

## *United Kingdom*

### **Amphenol Limited**

Thanet Way, Whitstable  
Kent, CT5 3JF, UK  
44.1227.773.200  
[www.amphenol.co.uk](http://www.amphenol.co.uk)

---

## *France*

### **Amphenol Socapex**

2 rue, Clément Ader  
ZAC de Wé  
08110 Carignan  
33.04.5089.2800  
[www.amphenol-socapex.com](http://www.amphenol-socapex.com)

### **Amphenol AirLB France**

29 Voie d' Yvois  
F-08110 Blagny, France  
33.03.2422.3266  
[www.amphenol-airlb.fr](http://www.amphenol-airlb.fr)

## *China*

### **Amphenol Pcd Shenzhen**

Building 21, 1st Liao Keng Industrial Zone,  
Shi Yan Street Industrial Park  
Ba An District Shenzhen, China 518108  
86.755.8173.8000  
[www.amphenolpcd.com.cn](http://www.amphenolpcd.com.cn)

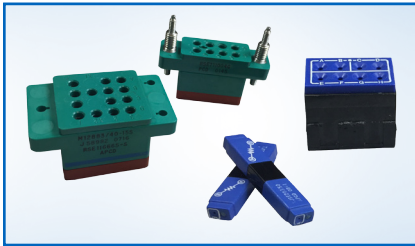
# AMPHENOL PCD PRODUCTS



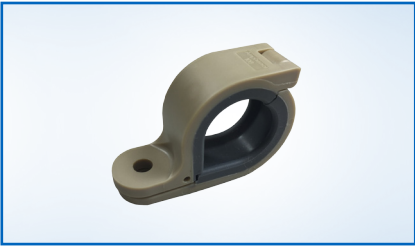
Backshells



Cable Solutions & Cable Adapters  
NEW



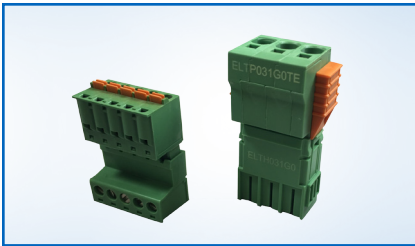
Relay Sockets & Junction Modules



System Attachments



Luminus Series,  
Rayzor Series & Pegasus Series  
NEW



Terminal Blocks



SIM



Rectangular



Circular



Waterproof Solutions



Rugged Solutions



Military Audio /Power

# Amphenol Pcd

Connecting People & Technology

Amphenol Pcd, a subsidiary of Amphenol Corporation, is one of the world's leading suppliers of interconnect products for Military, Commercial Aerospace and Industrial applications. Located north of Boston in Beverly, Massachusetts, the company designs and manufactures a wide range of products - System Attachments, Junction Modules, Relay Sockets, Terminal Blocks, Rectangular & Circular connectors, and Cable Assemblies & Adapters.

Each product is made and engineered with the highest quality standards in the industry. With facilities in North America and Asia, Amphenol Pcd products are chosen by hundreds of OEMs around the world, reliant on Amphenol's technical excellence, global network of distributors, and cost-effective solutions for custom systems.



Notice: Specifications are subject to change without notice. Contact your nearest Amphenol Corporation Sales Office for the latest specifications. All statements, information and data given herein are believed to be accurate and reliable, but are presented without guarantee, warranty, or responsibility of any kind expressed or implied. Statements or suggestions concerning possible use of our products are made without representation or warranty that any such use is free of patent infringement and are not recommendations to infringe any patent. The user should not assume that all safety measures are indicated or that other measures may not be required. Specifications are typical and may not apply to all connectors.

## Amphenol Pcd

72 Cherry Hill Dr. Beverly, MA. 01915

info@amphenolpcd.com (978) 624.3400

www.amphenolpcd.com  
[www.backshellworld.com](http://www.backshellworld.com)

FOLLOW US



## X-ON Electronics

Largest Supplier of Electrical and Electronic Components

*Click to view similar products for* [Circular MIL Spec Tools, Hardware & Accessories](#) *category:*

*Click to view products by* [Amphenol](#) *manufacturer:*

Other Similar products are found below :

[0113-201-2025](#) [600-079-06](#) [600-146-06](#) [M10-101982-143](#) [M10-101982-163](#) [M10-101983-183](#) [M10-150912-083](#) [M10-454396-008](#)  
[602GB18808](#) [CS3102A-22-14PW](#) [M2887615-CD](#) [627-009](#) [M38999/9-19B](#) [630A007NF083A](#) [630B007M051A](#) [630BJ003NF032H](#) [637-](#)  
[149NF04B](#) [M39029/29-215](#) [6408-203V-09273](#) [6426-201-11343](#) [650FS002NF16](#) [660-008NF14S7-01](#) [660-009M22H8-03](#) [660-013NF19U6-](#)  
[210](#) [660-015M10S6-17](#) [660-015NF10S5-01](#) [660-015NF14R3.5-01](#) [660-023NF19H6-19](#) [660-024NF11S12-01](#) [660-024NF11S3-01](#) [660-](#)  
[024NF17S4-109](#) [660-050XM17F4-01](#) [660-068NF25R6-30G](#) [660-070M23S8-04](#) [660-073MTCH9-20](#) [M83723/61-18W](#) [M83723/61-218R](#)  
[M83723/61-224W](#) [667-084-23C](#) [667-084-35C](#) [667-224NF16](#) [687-697NF-1](#) [M85049/94-10-A](#) [M85049/96-7-A](#) [M855282-10A01A](#)  
[M85528/2-10B](#) [M855282-18A01A](#) [M85528/2-22A01A](#) [M85528/2-22AA](#) [710HS460NF2508](#)