

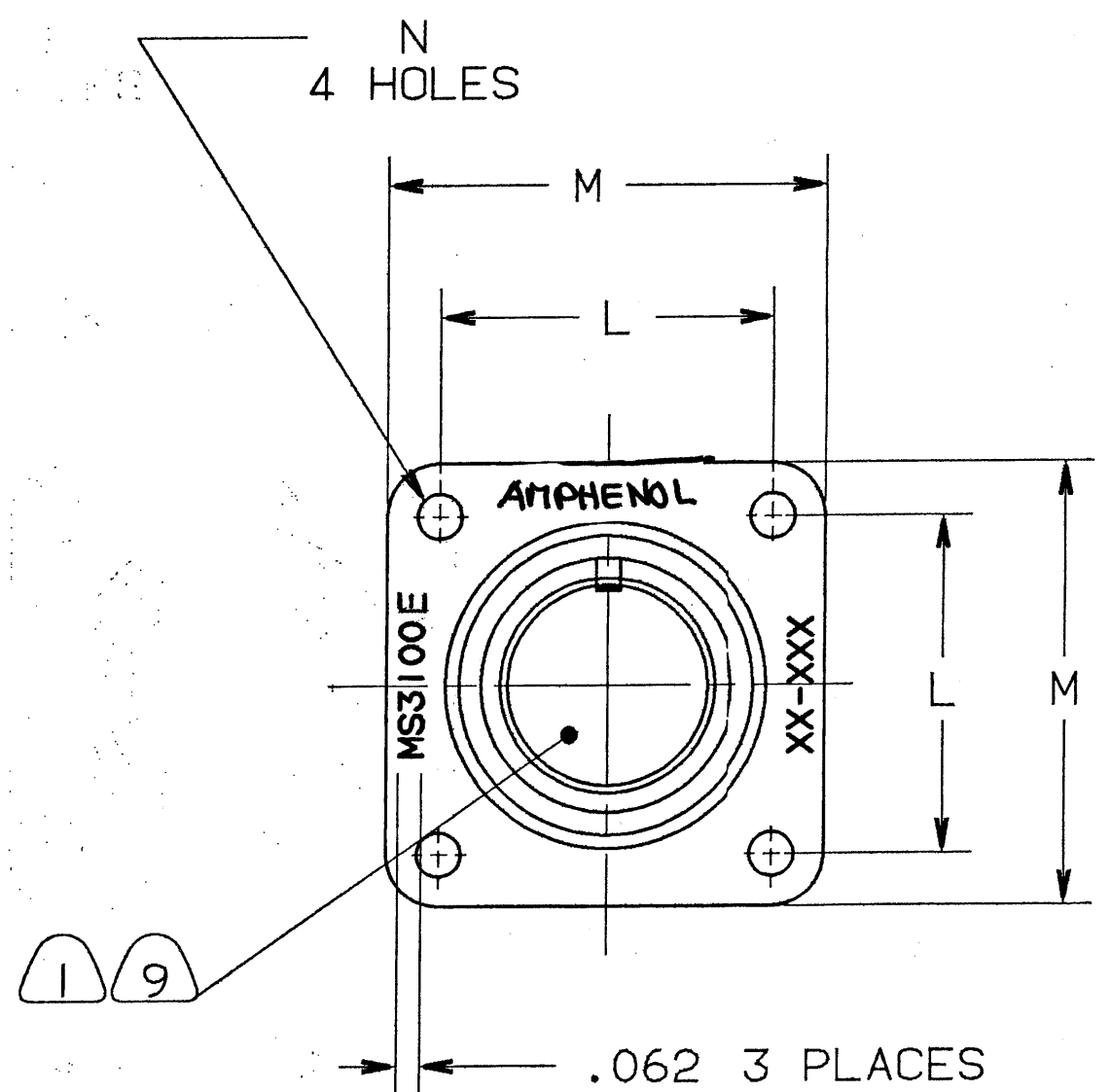
4

3

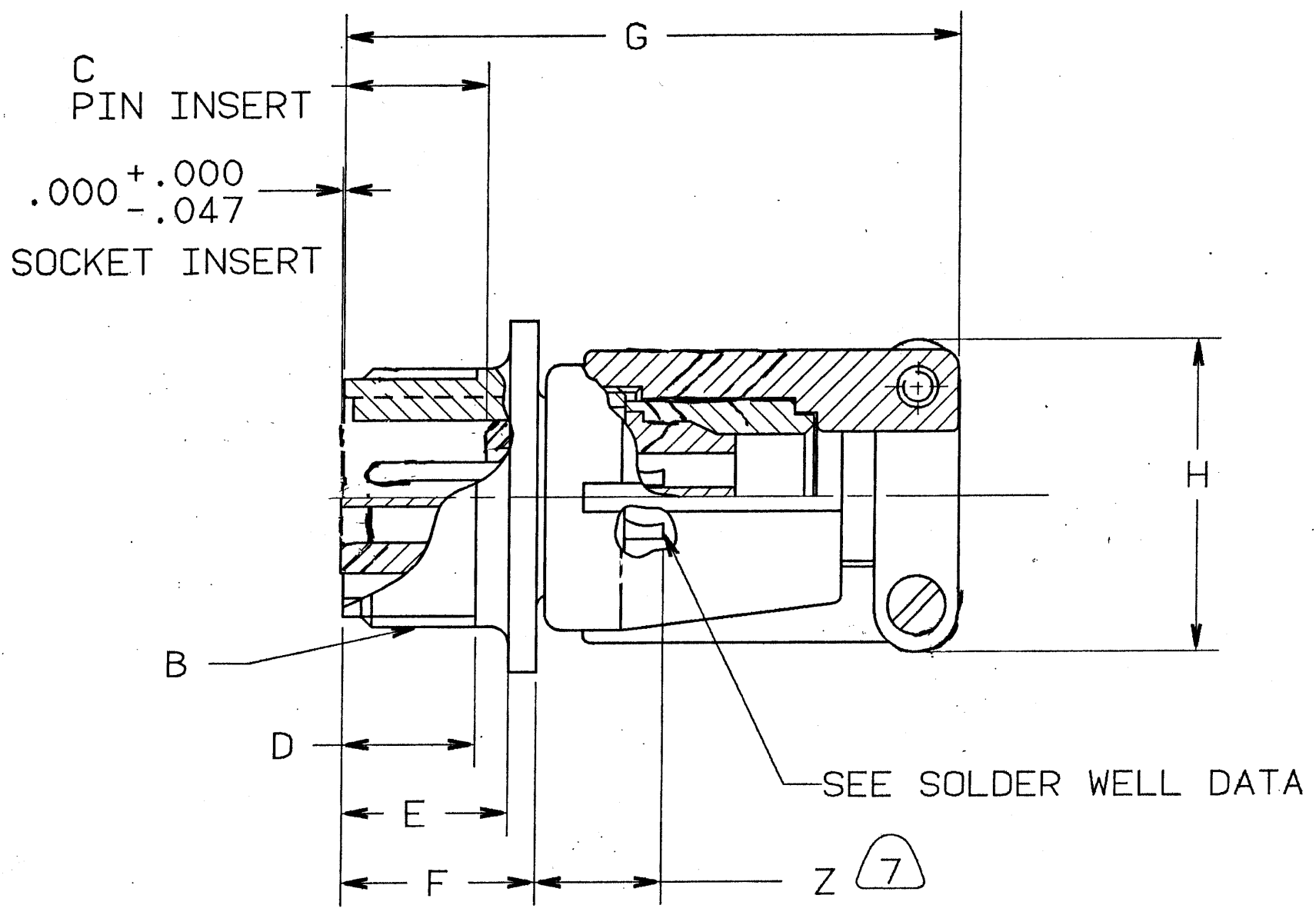
2

1

| REVISIONS                         |       |   |                  |          |
|-----------------------------------|-------|---|------------------|----------|
| ZONE                              | LTR   | DESCRIPTION   | DATE             | APPROVED |
| SEE RECORD DRAWING FOR REVISION A |       |   |                  |          |
| B                                 | (CLI) | REM'D P/L BLOCK & ASSOCIATED BALLOONS; CHG'D BCD REFS TO AAD ECN: 84803 | 11-3-00<br>JOKED | JED      |



3 BLACK INK STAMP AMPHENOL, DATE CODE (9-3895) & MS NO. PER 9-3856-5  
EXAMPLE:  
AMPHENOL 9102 MS3100E20-12P



|   |                       |
|---|-----------------------|
| 8 | REMOVED ON ECN: 84803 |
| 7 |                       |
| 6 |                       |
| 5 |                       |
| 4 |                       |
| 3 |                       |
| 2 |                       |
| 1 |                       |

UNLESS OTHERWISE SPECIFIED LINEAR DIMENSIONS ARE IN INCHES.  
TOLERANCES: .XXX±.010, .XX ±.03, .X ±.1, ANGLES ±2°.  
OTHER STANDARDS PER 9-3800 AND DOD-D-1000.  
NOTE REF. = XX

| FIND NO.                  | QTY REQD. | FSCM NO.             | PART NUMBER | DESCRIPTION           | NOTE REF. |
|---------------------------|-----------|----------------------|-------------|-----------------------|-----------|
| PARTS LIST                |           |                      |             |                       |           |
| SPECIFICATIONS            |           | SIGNATURES           |             | DATES                 |           |
| MATERIAL SPEC. N/A        |           | PREPARED MCELLIGOTT  |             | 12/17/90              |           |
|                           |           | CHECKED [Signature]  |             | 1-16-91               |           |
|                           |           | APPROVED [Signature] |             | 1-16-91               |           |
|                           |           | APPROVED [Signature] |             | 1-22-91               |           |
|                           |           | 1ST PART NO.         |             | 10-169058-***         |           |
| PROCESS SPEC. SEE NOTE 10 |           | SIZE C               |             | FSCM NO. 77820        |           |
|                           |           | SCALE 2/1            |             | WT. REF 10-169008/040 |           |
|                           |           | SHEET 1 OF 2         |             | REV. B                |           |

SEE SHEET 2  
NOTES:

THE USE OF THIS DOCUMENT IS UNLIMITED. HOWEVER, DOCUMENTS REFERENCED HEREON MAY CONTAIN LIMITED RIGHTS DATA.

N/A  
N/A  
NEXT ASSEMBLY

10-169058/090

| ASSEMBLY NUMBER | MS. NO.       | B<br>THREAD<br>CLASS 2A (PLATED) | C<br>±.031 | D<br>MIN.<br>FULL THD | E<br>+.010<br>-.000 | F<br>+.020<br>-.010 | G<br>MAX | H<br>MAX | L<br>#.005 |
|-----------------|---------------|----------------------------------|------------|-----------------------|---------------------|---------------------|----------|----------|------------|
| 10-169058-()    | NOT AVAILABLE |                                  |            |                       |                     |                     |          |          |            |
| 10-169060-()    | NOT AVAILABLE |                                  |            |                       |                     |                     |          |          |            |
| 10-169061-()    | 3100E10SL-()  | .6250-24 UNEF                    | .484       | .391                  | .562                | .672                | 2.129    | .896     | .719       |
| 10-169062-()    | 3100E12S-()   | .7500-20 UNEF                    | .484       | .450                  | .562                | .672                | 2.129    | .896     | .812       |
| 10-169063-()    | 3100E12-()    | .7500-20 UNEF                    | .672       | .625                  | .750                | .860                | 2.129    | .896     | .812       |
| 10-169064-()    | 3100E14S-()   | .8750-20 UNEF                    | .484       | .450                  | .562                | .672                | 2.201    | 1.021    | .906       |
| 10-169065-()    | 3100E14-()    | .8750-20 UNEF                    | .672       | .625                  | .750                | .860                | 2.524    | 1.021    | .906       |
| 10-169066-()    | 3100E16S-()   | 1.0000-20 UNEF                   | .484       | .450                  | .562                | .672                | 2.201    | 1.151    | .969       |
| 10-169067-()    | 3100E16-()    | 1.0000-20 UNEF                   | .672       | .625                  | .750                | .860                | 2.524    | 1.151    | .969       |
| 10-169068-()    | 3100E18-()    | 1.1250-18 UNEF                   |            |                       |                     | .891                | 2.596    | 1.242    | 1.063      |
| 10-169070-()    | 3100E20-()    | 1.2500-18 UNEF                   |            |                       |                     | .891                | 2.654    | 1.499    | 1.156      |
| 10-169072-()    | 3100E22-()    | 1.3750-18 UNEF                   |            |                       |                     | .891                | 2.654    | 1.499    | 1.250      |
| 10-169074-()    | 3100E24-()    | 1.5000-18 UNEF                   |            |                       | .812                | .953                | 2.885    | 1.781    | 1.375      |
| 10-169078-()    | 3100E28-()    | 1.7500-18 UNS                    |            |                       | .812                | .953                | 2.885    | 1.781    | 1.562      |
| 10-169082-()    | 3100E32-()    | 2.0000-18 UNS                    |            |                       | .875                | 1.031               | 2.943    | 2.087    | 1.750      |
| 10-169086-()    | 3100E36-()    | 2.2500-16 UN                     |            |                       |                     |                     | 2.943    | 2.281    | 1.938      |
| 10-169090-()    | 3100E40-()    | 2.5000-16 UN                     |            |                       |                     |                     | 3.068    | 2.581    | 2.188      |

| ASSEMBLY NUMBER | M             | N<br>DIA<br>+.004<br>-.002 | Z<br>MAX |
|-----------------|---------------|----------------------------|----------|
| 10-169058-()    | NOT AVAILABLE |                            |          |
| 10-169060-()    | NOT AVAILABLE |                            |          |
| 10-169061-()    | 1.000         | .120                       | .472     |
| 10-169062-()    | 1.094         |                            | .472     |
| 10-169063-()    | 1.094         |                            | .722     |
| 10-169064-()    | 1.188         |                            | .472     |
| 10-169065-()    | 1.188         |                            | .722     |
| 10-169066-()    | 1.281         |                            | .472     |
| 10-169067-()    | 1.281         |                            | .722     |
| 10-169068-()    | 1.375         |                            | .691     |
| 10-169070-()    | 1.500         |                            | .691     |
| 10-169072-()    | 1.625         |                            | .691     |
| 10-169074-()    | 1.750         | .147                       | .628     |
| 10-169078-()    | 2.000         | .147                       | .628     |
| 10-169082-()    | 2.250         | .173                       | .550     |
| 10-169086-()    | 2.500         | .173                       | .550     |
| 10-169090-()    | 2.750         | .173                       | .550     |

| STANADARD SOLDER WELL DATA |                     |                     |                     |                     |                     | THERMOCOUPLE        |                     |
|----------------------------|---------------------|---------------------|---------------------|---------------------|---------------------|---------------------|---------------------|
| CONTACT SIZE               | 0                   | 4                   | 8                   | 12                  | 16                  | 12                  | 16                  |
| WELL DIA                   | .469 +.005<br>-.003 | .332 +.005<br>-.003 | .208 +.004<br>-.002 | .116 +.004<br>-.002 | .078 +.004<br>-.002 | .125 +.004<br>-.002 | .094 +.004<br>-.002 |
| WELL DEPTH +.031<br>-.000  | .625                | .625                | .500                | .375                | .250                | .250                | .188                |

| THERMOCOUPLE |                |
|--------------|----------------|
| MATERIAL     | IDENTIFICATION |
| CHROMEL      | WHITE          |
| ALUMEL       | GREEN          |
| IRON         | BLACK          |
| CONSTANTAN   | YELLOW         |

- FOR CONTACT SIZE, SPACING & SERVICE RATING SEE MIL-STD-1651.
- SEE SEPARATE PARTS LIST FOR COMPONENT PART NUMBERS AND QUANTITIES.
- SEE WORK ORDER FOR PERMISSIBLE ADDITIONAL OR ALTERNATE STAMPING.
- FOR MATING CONNECTOR ASSEMBLY, SEE DRAWING 10-169658/690 & OTHERS.
- TO COMPLETE, ADD APPLICABLE INSERT ARRANGEMENT SUFFIX PER 9-2437.
- UNITS MEET THE REQUIREMENTS OF MIL-C-5015.
- FOR SIZE "0" CONTACT ONLY, INCREASE Z DIMENSION BY .312.
- PACKAGE PER PRODUCTION PROCESS SHEET.
- INSERTS AND CONTACTS ARE REMOVABLE.
- PROCESS SPEC:  
ASSY 9-3238-1  
TEST 9-3106-2  
9-2437, 9-3856-5, 9-3895
- ALL UNUSED GROMMET HOLES MUST BE FILLED WITH SEALING PLUGS.

## X-ON Electronics

Largest Supplier of Electrical and Electronic Components

*Click to view similar products for [Circular MIL Spec Connector](#) category:*

*Click to view products by [Amphenol](#) manufacturer:*

Other Similar products are found below :

[89075GULPR](#) [0025-262-542](#) [0025-264-3014](#) [58-570121-04S](#) [0134-213-1208](#) [0134-213-2209](#) [0025-258-000](#) [60-042022-07P](#) [60-042022-19P](#)  
[60-042022-23P](#) [60-042217-10P](#) [0114-201-1278](#) [012-0467-000](#) [602GB06EG24-61SN](#) [0134-201-1207](#) [0134-213-1006](#) [6104-207-2302](#) [6104-](#)  
[208-1902](#) [61-168211-04P](#) [61-168617-10P](#) [6131-202-19149P](#) [6131-204-21149P](#) [6131-208-13149P](#) [6131-209-17149P](#) [6131-210-11149P](#) [6131-](#)  
[211-19149P](#) [6131-216-19149P](#) [6131-259-21149P](#) [6131-259-23149P](#) [6131-265-17149P](#) [6131-265-19149P](#) [CS3100A18-1P-472](#) [CS3100A-36-](#)  
[77P](#) [CS3101A-16-55P](#) [CS3102A-10SL-55P](#) [CS3102A-14S-58P](#) [CS3102A-32-17P](#) [CS3102A32-25S](#) [CS3102C18-4P-472](#)  
[CS3106A10SL3S004](#) [CS3106A-18-73S](#) [CS3108A-14S-52S](#) [CS3108A-28-51S](#) [6162-233-1277](#) [6162-324-1231](#) [M243082296Z](#)  
[M2884010AC1S1](#) [CT0-24-10SC](#) [CT0M20-7PCAU](#) [M28840/17AC1G3](#)