

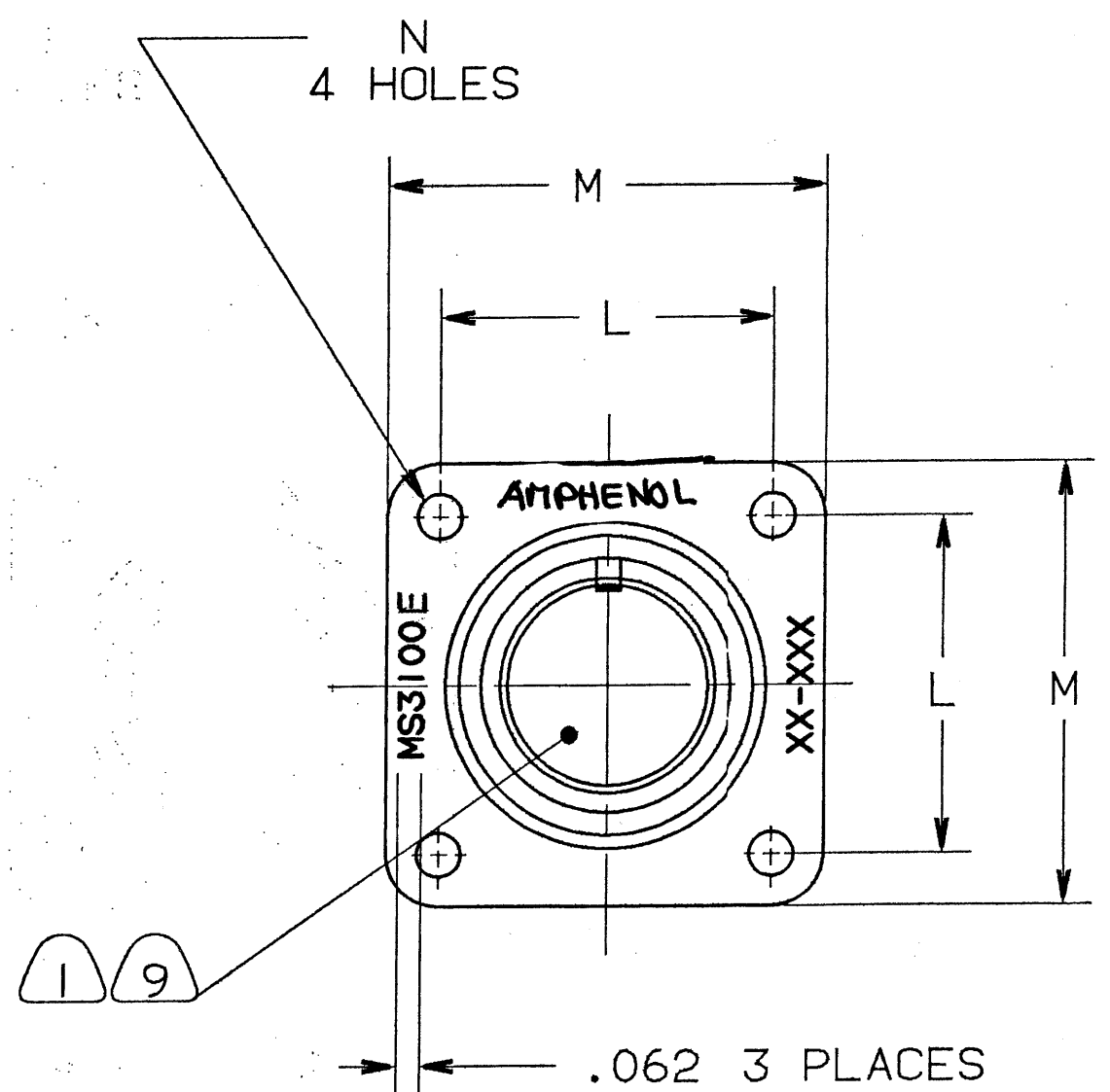
4

3

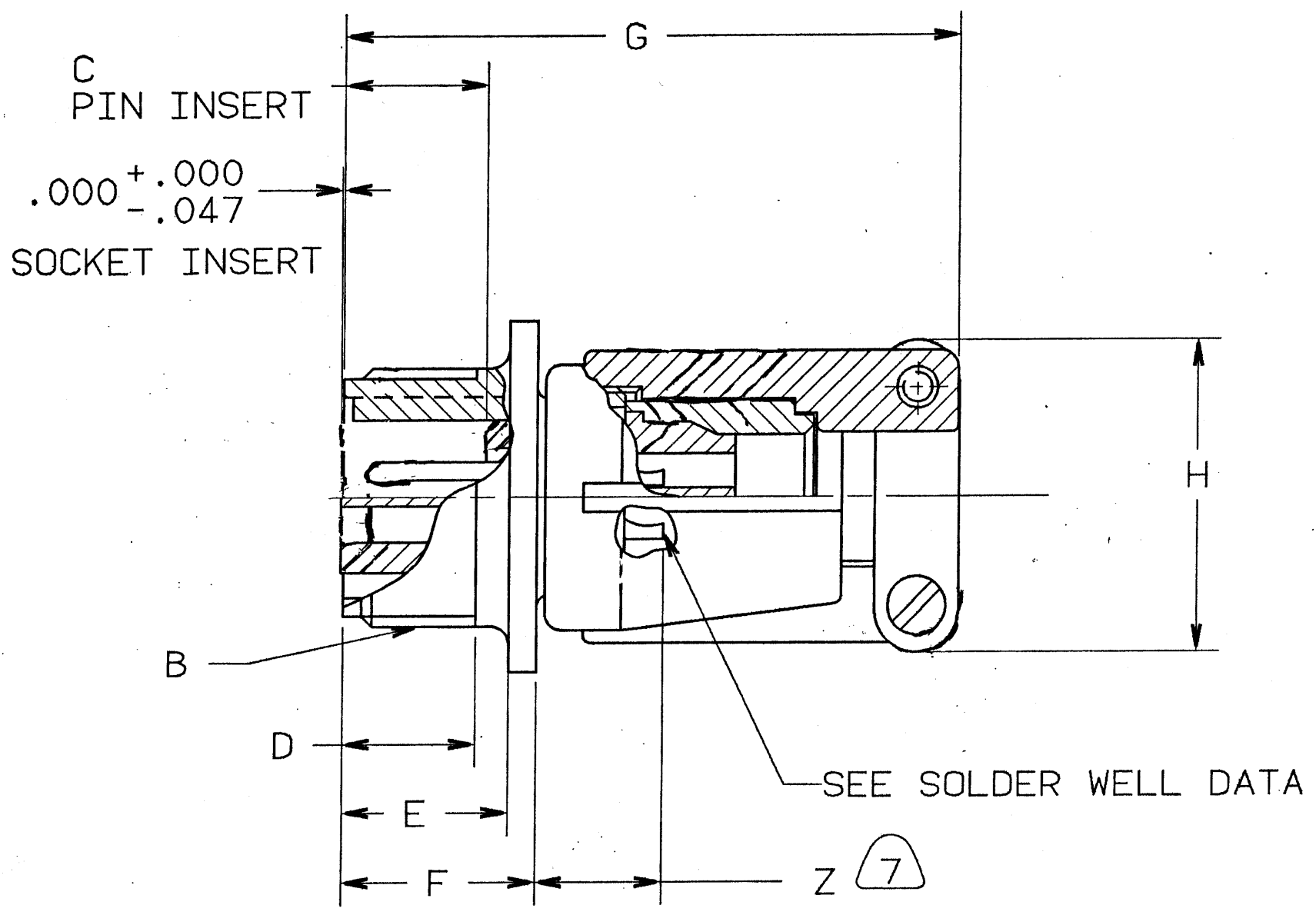
2

1

REVISIONS				
ZONE	LTR	DESCRIPTION	DATE	APPROVED
SEE RECORD DRAWING FOR REVISION A				
B		(CLI) REM'D P/L BLOCK & ASSOCIATED BALLOONS; CHG'D BCD REFS TO AAD ECN: 84803	11-3-00 JOKED	JED



3 BLACK INK STAMP AMPHENOL, DATE CODE (9-3895) & MS NO. PER 9-3856-5
EXAMPLE:
AMPHENOL 9102 MS3100E20-12P



8	REMOVED ON ECN: 84803
7	
6	
5	
4	
3	
2	
1	

UNLESS OTHERWISE SPECIFIED LINEAR DIMENSIONS ARE IN INCHES.
TOLERANCES: .XXX±.010, .XX ±.03, .X ±.1, ANGLES ±2°.
OTHER STANDARDS PER 9-3800 AND DOD-D-1000.
NOTE REF. = XX

FIND NO.	QTY REQD.	FSCM NO.	PART NUMBER	DESCRIPTION	NOTE REF.
PARTS LIST					
SPECIFICATIONS		SIGNATURES		DATES	
MATERIAL SPEC. N/A		PREPARED MCELLIGOTT		12/17/90	
		CHECKED [Signature]		1-16-91	
		APPROVED [Signature]		1-16-91	
		APPROVED [Signature]		1-22-91	
		1ST PART NO.		10-169058-***	
PROCESS SPEC. SEE NOTE 10		SIZE C		FSCM NO. 77820	
		SCALE 2/1		WT. REF 10-169008/040	
		SHEET 1 OF 2		REV. B	

SEE SHEET 2
NOTES:

THE USE OF THIS DOCUMENT IS UNLIMITED, HOWEVER, DOCUMENTS REFERENCED HEREON MAY CONTAIN LIMITED RIGHTS DATA.

N/A
N/A
NEXT ASSEMBLY

10-169058/090

ASSEMBLY NUMBER	MS. NO.	B THREAD CLASS 2A (PLATED)	C ±.031	D MIN FULL THD	E +.010 -.000	F +.020 -.010	G MAX	H MAX	L #.005
10-169058-()	NOT AVAILABLE								
10-169060-()	NOT AVAILABLE								
10-169061-()	3100E10SL-()	.6250-24 UNEF	.484	.391	.562	.672	2.129	.896	.719
10-169062-()	3100E12S-()	.7500-20 UNEF	.484	.450	.562	.672	2.129	.896	.812
10-169063-()	3100E12-()	.7500-20 UNEF	.672	.625	.750	.860	2.129	.896	.812
10-169064-()	3100E14S-()	.8750-20 UNEF	.484	.450	.562	.672	2.201	1.021	.906
10-169065-()	3100E14-()	.8750-20 UNEF	.672	.625	.750	.860	2.524	1.021	.906
10-169066-()	3100E16S-()	1.0000-20 UNEF	.484	.450	.562	.672	2.201	1.151	.969
10-169067-()	3100E16-()	1.0000-20 UNEF	.672	.625	.750	.860	2.524	1.151	.969
10-169068-()	3100E18-()	1.1250-18 UNEF				.891	2.596	1.242	1.063
10-169070-()	3100E20-()	1.2500-18 UNEF				.891	2.654	1.499	1.156
10-169072-()	3100E22-()	1.3750-18 UNEF				.891	2.654	1.499	1.250
10-169074-()	3100E24-()	1.5000-18 UNEF			.812	.953	2.885	1.781	1.375
10-169078-()	3100E28-()	1.7500-18 UNS			.812	.953	2.885	1.781	1.562
10-169082-()	3100E32-()	2.0000-18 UNS			.875	1.031	2.943	2.087	1.750
10-169086-()	3100E36-()	2.2500-16 UN					2.943	2.281	1.938
10-169090-()	3100E40-()	2.5000-16 UN					3.068	2.581	2.188

ASSEMBLY NUMBER	M	N DIA +.004 -.002	Z MAX
10-169058-()	NOT AVAILABLE		
10-169060-()	NOT AVAILABLE		
10-169061-()	1.000	.120	.472
10-169062-()	1.094		.472
10-169063-()	1.094		.722
10-169064-()	1.188		.472
10-169065-()	1.188		.722
10-169066-()	1.281		.472
10-169067-()	1.281		.722
10-169068-()	1.375		.691
10-169070-()	1.500		.691
10-169072-()	1.625		.691
10-169074-()	1.750	.147	.628
10-169078-()	2.000	.147	.628
10-169082-()	2.250	.173	.550
10-169086-()	2.500	.173	.550
10-169090-()	2.750	.173	.550

STANADARD SOLDER WELL DATA						THERMOCOUPLE	
CONTACT SIZE	0	4	8	12	16	12	16
WELL DIA	.469 +.005 -.003	.332 +.005 -.003	.208 +.004 -.002	.116 +.004 -.002	.078 +.004 -.002	.125 +.004 -.002	.094 +.004 -.002
WELL DEPTH +.031 -.000	.625	.625	.500	.375	.250	.250	.188

THERMOCOUPLE	
MATERIAL	IDENTIFICATION
CHROMEL	WHITE
ALUMEL	GREEN
IRON	BLACK
CONSTANTAN	YELLOW

- FOR CONTACT SIZE, SPACING & SERVICE RATING SEE MIL-STD-1651.
- SEE SEPARATE PARTS LIST FOR COMPONENT PART NUMBERS AND QUANTITIES.
- SEE WORK ORDER FOR PERMISSIBLE ADDITIONAL OR ALTERNATE STAMPING.
- FOR MATING CONNECTOR ASSEMBLY, SEE DRAWING 10-169658/690 & OTHERS.
- TO COMPLETE, ADD APPLICABLE INSERT ARRANGEMENT SUFFIX PER 9-2437.
- UNITS MEET THE REQUIREMENTS OF MIL-C-5015.
- FOR SIZE "0" CONTACT ONLY, INCREASE Z DIMENSION BY .312.
- PACKAGE PER PRODUCTION PROCESS SHEET.
- INSERTS AND CONTACTS ARE REMOVABLE.
- PROCESS SPEC:
ASSY 9-3238-1
TEST 9-3106-2
9-2437, 9-3856-5, 9-3895
- ALL UNUSED GROMMET HOLES MUST BE FILLED WITH SEALING PLUGS.

X-ON Electronics

Largest Supplier of Electrical and Electronic Components

Click to view similar products for [Circular MIL Spec Connector](#) category:

Click to view products by [Amphenol](#) manufacturer:

Other Similar products are found below :

[0025-262-542](#) [0025-264-3014](#) [58-570121-04S](#) [0134-202-1200](#) [0134-207-1206](#) [0134-207-1800](#) [0134-207-2207](#) [0134-213-0806](#) [0134-213-1007](#) [0134-213-1009](#) [0134-213-1208](#) [0134-213-1800](#) [0134-213-2209](#) [0025-258-000](#) [015-9516-002](#) [60-042722-19P](#) [0114-201-1278](#) [602GB06EG24-61SN](#) [0134-201-1207](#) [0134-201-1806](#) [0134-201-2006](#) [0134-201-2007](#) [0134-201-2010](#) [0134-202-1400](#) [0134-207-0809](#) [0134-207-1208](#) [0134-207-2009](#) [0134-213-1006](#) [6104-207-2302](#) [6104-208-1902](#) [6131-202-19149P](#) [6131-204-21149P](#) [6131-207-13149P](#) [6131-208-13149P](#) [6131-209-17149P](#) [6131-210-11149P](#) [6131-211-19149P](#) [6131-216-19149P](#) [6131-220-25149P](#) [6131-259-11149P](#) [6131-259-21149P](#) [6131-259-23149P](#) [6131-263-19149P](#) [6131-265-17149P](#) [6131-265-19149P](#) [CS3102A-20-15P](#) [CS3102A-20-15S](#) [CS3102C18-4P-472](#) [CS3106A-20-29P](#) [CS3106A-20-74P](#)