

REL	32508-157	WAS	DATE	D'MAN	APP'D
1	33750-55	ADD. NOTE 10 & DATA	1-20-58	HUDOCK	<i>[Signature]</i>
2	35826-2	REV. "C" COLUMN	9-2-59	SIEDSMAN	<i>[Signature]</i>
A1	36200 -27	.188(16M), .250(12) & .500(4) (SOLDER WELL DEPTH); REM SOLDER WELL DATA FOR 16	2-11-60	MARKUSKI	<i>[Signature]</i>
A2	36525 -323	CONNECTOR, ELECTRICAL RECEPTACLE (TITLE); REM PD COL (B & H THD); REV NOTE 2; ADD NOTE II.	3-16-60	ZACHAR	<i>[Signature]</i>
A3	38525 -418	REVERSED STAMPING	2-6-62	STANDISH	<i>[Signature]</i>
A4	42525 -40	MIL-C-5015C (NOTE 9)	10-26-63	MILNER	<i>[Signature]</i>
A5	51175-1	REM NOTE 10, REVISION LETTER (C) (2 PLCS)	11-17-69	CANSALE	<i>[Signature]</i>
A6	53249 -11	REM F COL 8 & DATA; ADD. 9-3895 (PRO SPEC); REV STAMPING NOTE	1-5-72	REDDICK	<i>[Signature]</i>

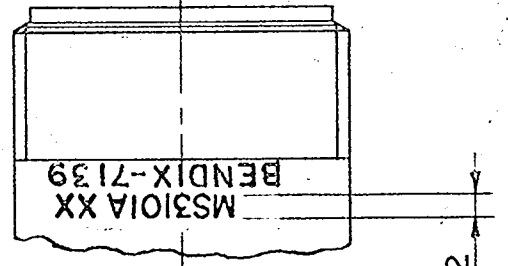
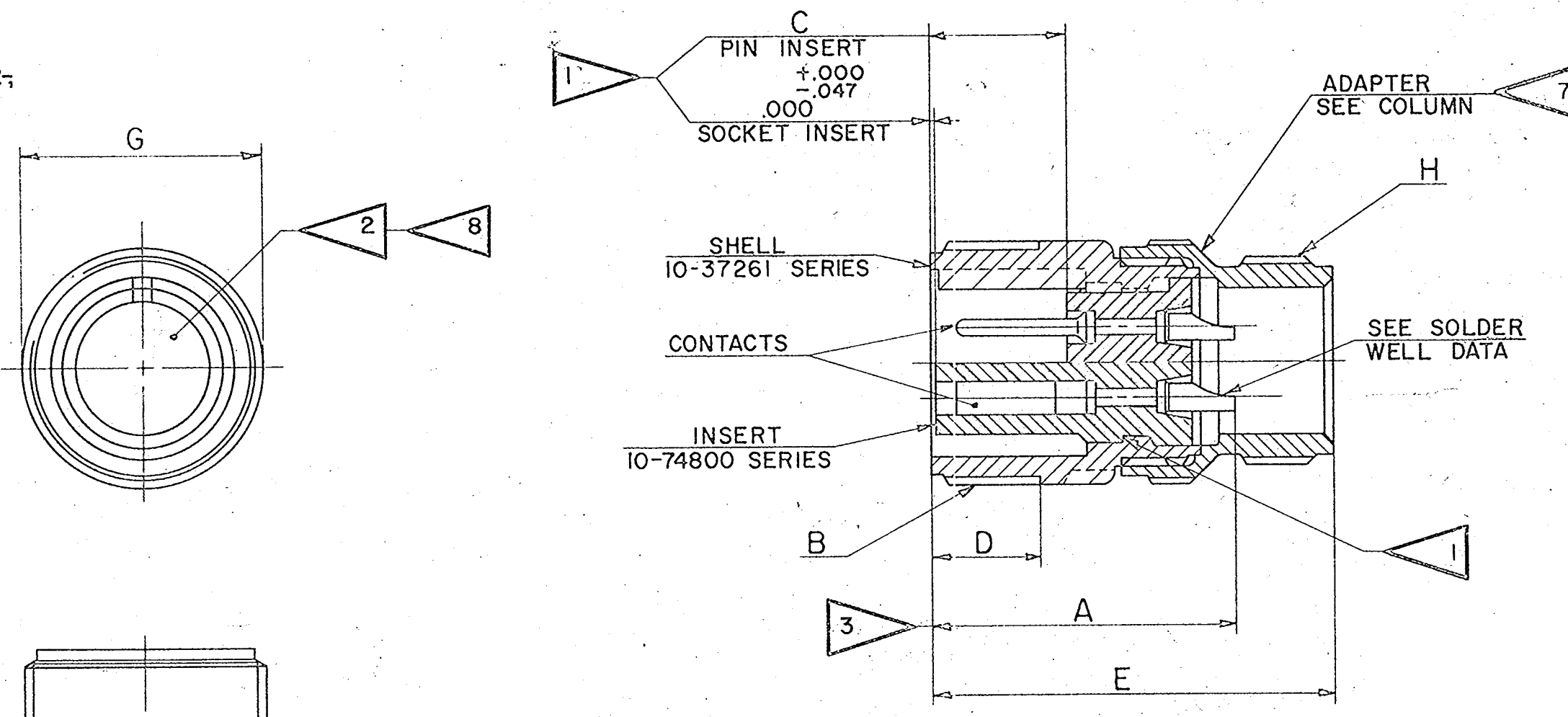
ASSEMBLY NO.	MS NO.	DIMENSIONS						H THREAD (PLATED) CLASS 2A	G DIA MAX	DETAIL ADAPTER	ACCESSORY GROMMET RETAINING NUT
		A ±.040	B THREAD (PLATED) CLASS 2A	C ±.031	D MIN FULL THD	E ±.030					
10-168108	3101 8S	1.094	.5000-28UNEF	.484	.406	1.390	.5000-28UNEF	.532	10-37267-8	10-37269-8	
10-168110	10S		.6250-24NEF		.406	1.468	.5000-28UNEF	.628	-10	-10	
10-168111	10SL		.6250-24NEF		.406		.6250-24NEF	.755	-12	-12	
10-168112	12S		.7500-20UNEF		.422			.755	-12	-12	
10-168113	12	1.532	.7500-20UNEF	.672	.656	1.843		.755	-13	-13	
10-168114	14S	1.094	.8750-20UNEF	.484	.391	1.468	.7500-20UNEF	.882	-14	-14	
10-168115	14	1.532	.8750-20UNEF	.672	.625	1.843	.7500-20UNEF	.882	-15	-15	
10-168116	16S	1.094	1.0000-20UNEF	.484	.391	1.468	.8750-20UNEF	1.010	-16	-16	
10-168117	16	1.532	1.0000-20UNEF	.672	.625	1.843	.8750-20UNEF	1.010	-17	-17	
10-168118	18		1.1250-18NEF			1.938	1.0000-20UNEF	1.137	-18	-18	
10-168120	20		1.2500-18NEF			1.844	1.1875-18NEF	1.264	-20	-20	
10-168122	22		1.3750-18NEF			1.938	1.1875-18NEF	1.392	-22	-22	
10-168124	24		1.5000-18NEF			1.969	1.4375-18NEF	1.519	-24	-24	
10-168128	28		1.7500-18NS			2.188	1.4375-18NEF	1.774	-28	-28	
10-168132	32		2.0000-18NS			2.157	1.7500-18NS	1.996	-32	-32	
10-168136	36		2.2500-16UN			2.219	2.0000-18NS	2.251	-36	-36	
10-168140	40		2.5000-16UN			2.188	2.2500-16UN	2.506	-40	-40	

ACCESSORIES
(NOT PART OF STANDARD ASSEMBLY)

GROMMET 10-40800 SERIES	GROMMET RETAINING NUT SEE TABLE	CABLE CLAMP 10-35900-XX3 SERIES

11. FOR PART NUMBERS 10-168117-13, 10-168118-15, 61- & 62-
SEE INDIVIDUAL DRAWING 10-168117-13, 10-168118-15,
61-00000 & 62-00000.

- 10.
- UNITS ILLUSTRATED MEET THE REQUIREMENTS OF MS3101A PER MIL-C-5015(D).
 - INSERTS AND CONTACTS ARE REMOVABLE.
 - ADAPTER MUST BE REMOVED WHEN GROMMET RETAINING NUT IS USED.
 - SEE DRAWINGS 10-168608 THRU 10-168640 & DRAWINGS 10-168808 THRU 10-168840 FOR REQUIRED MATING PLUG ASSEMBLIES.
 - SEE WORK ORDER FOR PERMISSIBLE ADDITIONAL OR ALTERNATE STAMPING.
 - TO COMPLETE ASSEMBLY NO. & MS NO., ADD APPLICABLE INSERT ARRANGEMENT SUFFIX TO BASE NUMBERS LISTED ABOVE. (FOR ALTERNATE ARRANGEMENTS, REFER TO 9-2437.) TO DETERMINE DESIRED INSERT ARRANGEMENT SEE PARTS LISTS 10-168108 THRU 10-168140.
 - INCREASE A DIMENSION BY .312 FOR SIZE "O" CONTACT ONLY.
 - FOR CONTACT SIZE, SPACING & SERVICE RATING, SEE DRAWINGS MS33680 THRU MS33690.
 - DIMENSIONS MUST BE MAINTAINED WHEN INSERTS ARE PRESSED FIRMLY AGAINST INDICATED SHOULDER.



10-168108 THRU
10-168140

USE OF THIS DOCUMENT IS UNLIMITED. DOCUMENTS REFERENCED HEREON CONTAIN LIMITED RIGHTS DATA.

NOTES: REF SYMBOL

STAMP PER 9-2811 "BENDIX", DATE CODE (9-3895) & MS NUMBER
EXAMPLE:
BENDIX-7139
MS3101A20-12S
FOR SUFFIX OTHER THAN "P" OR "S",
STAMP PER 9-2437
(SUFFIX OF MS NO. ONLY)
EXAMPLE:
MS3101A20-12SX
BEN DIX -7139

CONTACT SIZE	0	4	8	12	16M
WELL DIA	.469 \pm .005 -.003	.332 \pm .005 -.003	.209 \pm .004 -.002	.116 \pm .004 -.002	.078 \pm .004 -.002
WELL DEPTH	\pm .031 -.000	.625	.625	.500	.375

MATERIAL SPEC.	PROCESS SPEC. TEST 9-3106-5	SCINTILLA MAGNETO DIVISION BENDIX AMATELCO CORPORATION SIDNEY, N.Y., U.S.A.	
HEAT TREAT SPEC.	ASSY 9-3103-1	NAME CONNECTOR, ELECTRICAL, PLUG, TYPE C () FL	
	9-2811, 9-2437 9-3895	D'MAN RINES (Bialantic)	SCALE NONE
	22569-2 4-25-57	DATE 5-10-57	REF 10-63103/40

TOLERANCES UNLESS OTHERWISE SPECIFIED	
DECIMALS	.010
NEXT ASSEMBLY	SEE PARTS LIST
SUPERSEDES	AND IS NOT INTERCHANGEABLE
SUPERSEDED BY	10-168108 THRU 10-168140

X-ON Electronics

Largest Supplier of Electrical and Electronic Components

Click to view similar products for [Circular MIL Spec Connector](#) category:

Click to view products by [Amphenol](#) manufacturer:

Other Similar products are found below :

[0025-262-542](#) [0025-264-3014](#) [58-570121-04S](#) [0134-202-1200](#) [0134-207-1206](#) [0134-207-1800](#) [0134-207-2207](#) [0134-213-0806](#) [0134-213-1007](#) [0134-213-1009](#) [0134-213-1208](#) [0134-213-1800](#) [0134-213-2209](#) [0025-258-000](#) [015-9516-002](#) [60-042722-19P](#) [0114-201-1278](#) [602GB06EG24-61SN](#) [0134-201-1207](#) [0134-201-1806](#) [0134-201-2006](#) [0134-201-2007](#) [0134-201-2010](#) [0134-202-1400](#) [0134-207-0809](#) [0134-207-1208](#) [0134-207-2009](#) [0134-213-1006](#) [6104-207-2302](#) [6104-208-1902](#) [6131-202-19149P](#) [6131-204-21149P](#) [6131-207-13149P](#) [6131-208-13149P](#) [6131-209-17149P](#) [6131-210-11149P](#) [6131-211-19149P](#) [6131-216-19149P](#) [6131-220-25149P](#) [6131-259-11149P](#) [6131-259-21149P](#) [6131-259-23149P](#) [6131-263-19149P](#) [6131-265-17149P](#) [6131-265-19149P](#) [CS3102A-20-15P](#) [CS3102A-20-15S](#) [CS3102C18-4P-472](#) [CS3106A-20-29P](#) [CS3106A-20-74P](#)