

ASSY NO.	MS NO.	DIMENSIONS						
		A ±.040	B THREAD (PLATED) CLASS 2A	C MIN FULL THD	D ±.031	E MAX	F MAX	G THREAD REF CLASS 2
10-169108-	3101E8S-	1.094	5000-28 UNEF	.406	.484	2.223	.807	6-32 NC
10-169110-	10S-		6250-24 NEF	.406			.807	
10-169111-	10SL-		6250-24 NEF	.406			.901	
10-169112-	12S-		7500-20 UNEF	.422				
10-169113-	12-	1.532	7500-20 UNEF	.656	.672	2.598		
10-169114-	14S-	1.094	8750-20 UNEF	.391	.484	2.223	1.026	
10-169115-	14-	1.532	8750-20 UNEF	.625	.672	2.598	1.026	
10-169116-	16S-	1.094	10000-20 UNEF	.391	.484	2.223	1.119	
10-169117-	16-	1.532	10000-20 UNEF	.625	.672	2.598	1.119	
10-169118-	18-		1.1250-18 NEF			2.630	1.229	
10-169120-	20-		1.2500-18 NEF			2.740	1.479	8-32 NC
10-169122-	22-		1.3750-18 NEF			2.740	1.479	
10-169124-	24-		1.5000-18 NEF			2.803	1.666	
10-169128-	28-		1.7500-18 NS			3.019	1.666	
10-169132-	32-		2.0000-18 NS			3.004	2.135	10-32 NF
10-169136-	36-		2.2500-16 UN			3.222	2.260	
10-169140-	40-		2.5000-16 UN			3.222	2.510	

REV	DATE	BY	APPD
1	32508-157		
1	33750-60	ADD. NOTE 12 & DATA	1-22-58 HUDOCK
2	35826-7	REV "D" COLUMN	9-2-59 SIEDSMAN
3	36235-3	REM ACCESSORY BLOCK; ADD NOTES 6 & 7, REV SOLDER WELL DATA, RENUMBERED NOTES, STANDARDIZED	2-1-60 DONLON
4	36525-328	REM PD COL (B THD); REV NOTE 3, ADD NOTE 8; RENUM NOTES 9/15	3-17-60
5	37985-6	REDESIGN GROMMET FOR 10-169117-12 ARR	2-3-61 HISCOTT
A1	51175-1	(MFG); REM NOTE 15, REVISION LETTER (C) (2 PLACES), (C)	11-7-69 CABLE
A2	53249-10	ADD. 9-3895 (PRO SPEC); REV STAMP NOTES; REM H COL & DATA	1-5-72

STAMP PER 9-2811 "BENDIX," DATE CODE (9-3895) & MS NUMBER
 EXAMPLE:
 BENDIX-7139
 MS3101E20-12S
 FOR SUFFIX OTHER THAN "P" OR "S,"
 STAMP PER 9-2437
 (SUFFIX OF MS NO. ONLY)
 EXAMPLE:
 MS3101E20-12SX
 BENDIX-7139

8. FOR PART NUMBERS 10-169117-13, 10-169118-15, 61- & 62-, SEE INDIVIDUAL DRAWINGS 10-169117-13, 10-169118-15, 61-00000 & 62-00000.

7. SHIP CONNECTOR, WITH SEALING PLUGS UNASSEMBLED, IN A PLIOFILM BAG.

6. ALL UNUSED GROMMET HOLES MUST BE FILLED WITH SEALING PLUGS.

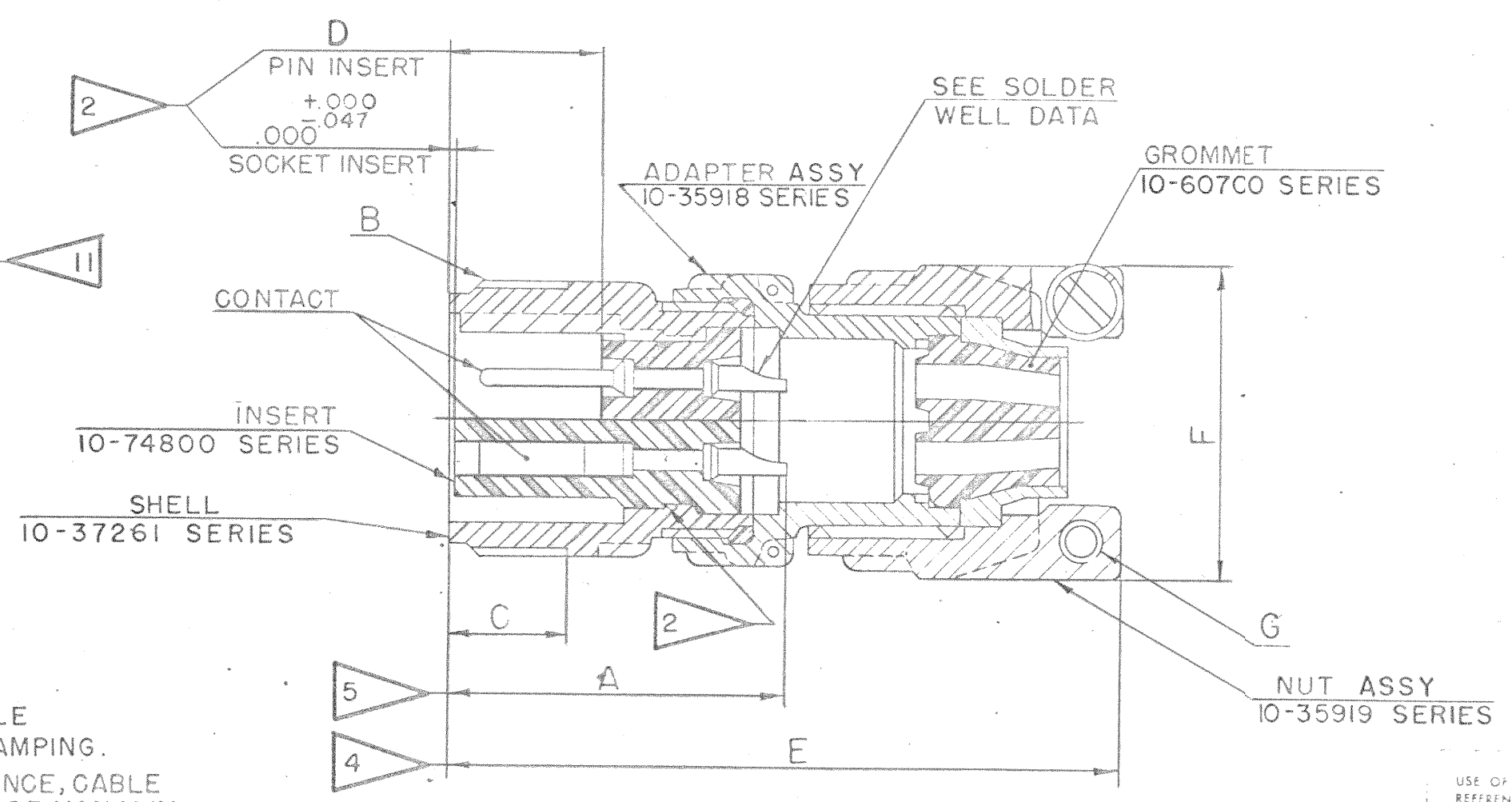
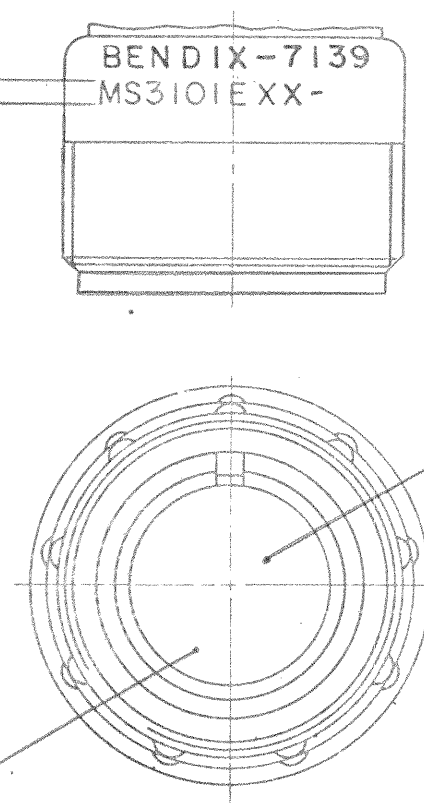
5. INCREASE A DIMENSION BY .312 FOR SIZE "O" CONTACT ONLY.

4. DIMENSION INDICATES FINAL INSTALLATION FOR STORAGE & SHIPPING, ADAPTER ASSEMBLY & NUT ASSEMBLY MUST BE LOOSELY COUPLED.

3. FOR CONTACT SIZE, SPACING & SERVICE RATING, SEE DRAWING MS33680 THRU MS33690.

2. DIMENSIONS MUST BE MAINTAINED WHEN INSERTS ARE PRESSED FIRMLY AGAINST INDICATED SHOULDER.

1. THE UNITS ILLUSTRATED MEET THE REQUIREMENTS OF MS3101E PER SPEC MIL-C-5015C.



10-169108 THRU
10-169140

- 14. SEE WORK ORDER FOR PERMISSIBLE ADDITIONAL OR ALTERNATE STAMPING.
- 13. FOR OPTIMUM MOISTURE RESISTANCE, CABLE DIAMETERS MUST BE WITHIN 58% OF MAXIMUM FOR EACH CONTACT SIZE. FOR SMALLER CABLES, USE WATERPROOF SLEEVING.
- 12. SEE DRAWINGS 10-69608 THRU 10-69640 & DRAWINGS 10-69808 THRU 10-69840 FOR REQUIRED MATING PLUG ASSEMBLIES.
- 11. INSERTS AND CONTACTS ARE REMOVABLE.
- 10. ALL LOCKWIRE HOLES ARE .045 DIA MIN.
- 9. TO COMPLETE ASSEMBLY NUMBER & MS NO., ADD APPLICABLE INSERT ARRANGEMENT SUFFIX TO BASE NUMBERS LISTED ABOVE. TO DETERMINE DESIRED INSERT ARRANGEMENT, SEE PARTS LISTS 10-69108 THRU 10-69140.

SOLDER WELL DATA						
CONTACT SIZE	O	4	8	12	16M	16
WELL DIA	.469 ^{+0.005} _{-.003}	.332 ^{+0.005} _{-.003}	.209 ^{+0.004} _{-.002}	.116 ^{+0.004} _{-.002}	.078 ^{+0.004} _{-.002}	.078 ^{+0.004} _{-.002}
WELL DEPTH	.625 ^{+0.031} _{-.000}	.625	.500	.375	.188	.250

MATERIAL SPEC	TEST 9-3106-3 ASSY 9-3103-2 SEE NOTE 1 9-2437, 9-2811 9-3895	SCINTILLA MAGNETO DIVISION BENDIX AVIATION CORPORATION BENTON, MISSOURI, U.S.A.	OPERATIONS UNLESS OTHERWISE SPECIFIED DECIMALS ±.000
HEAT TREAT SPEC		CONNECTOR, ELECTRICAL PLUG, TYPE SG()FL	WEIGHT SEE PARTS LIST
FINISH SPEC		RINES Balantic	10-169108 THRU 10-169140
DATE	22569-7 4-25-57	DATE	10-69108/40
		CODE	77620
		DWG SIZE	C

NOTES: REF SYMBOL

USE OF THIS DOCUMENT IS UNLIMITED. DOCUMENTS REFERENCED HEREON CONTAIN LIMITED RIGHTS DATA.

X-ON Electronics

Largest Supplier of Electrical and Electronic Components

Click to view similar products for [Circular MIL Spec Connector](#) category:

Click to view products by [Amphenol](#) manufacturer:

Other Similar products are found below :

[89075GULPR](#) [0025-262-542](#) [0025-264-3014](#) [58-570121-04S](#) [0134-213-1208](#) [0134-213-2209](#) [0025-258-000](#) [60-042022-07P](#) [60-042022-19P](#)
[60-042022-23P](#) [60-042217-10P](#) [60-042217-11P](#) [0114-201-1278](#) [012-0467-000](#) [602GB06EG24-61SN](#) [0134-201-1207](#) [0134-213-1006](#) [6104-](#)
[207-2302](#) [6104-208-1902](#) [61-168211-04P](#) [61-168617-10P](#) [6131-202-19149P](#) [6131-204-21149P](#) [6131-208-13149P](#) [6131-209-17149P](#) [6131-](#)
[210-11149P](#) [6131-211-19149P](#) [6131-216-19149P](#) [6131-259-21149P](#) [6131-259-23149P](#) [6131-265-17149P](#) [6131-265-19149P](#) [CS3100A18-1P-](#)
[472](#) [CS3100A-36-77P](#) [CS3101A-16-55P](#) [CS3102A-10SL-55P](#) [CS3102A-14S-58P](#) [CS3102A-18-1P116](#) [CS3102A-32-17P](#) [CS3102A32-25S](#)
[CS3102C18-4P-472](#) [CS3106A10SL3S004](#) [CS3106A-18-73S](#) [CS3108A-14S-52S](#) [CS3108A-28-51S](#) [6162-233-1277](#) [6162-324-1231](#)
[M243082296Z](#) [M2884010AC1S1](#) [CT0-24-10SC](#)