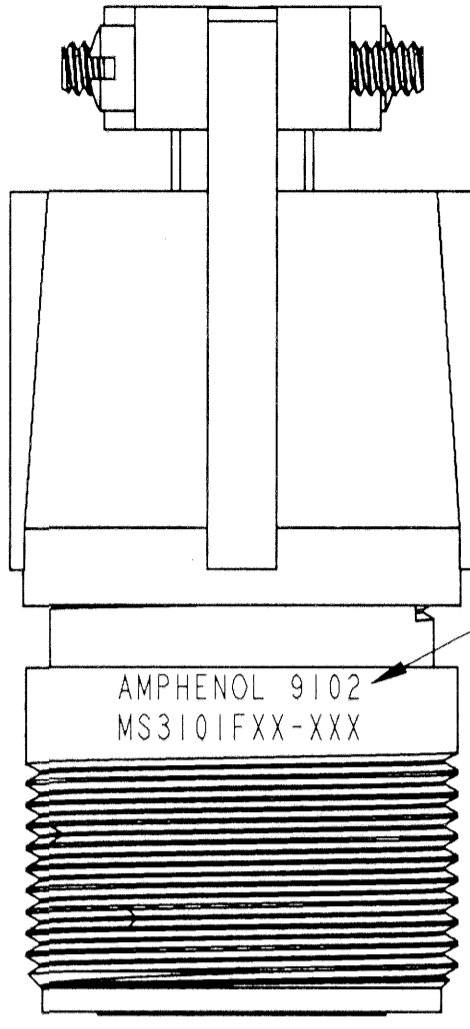
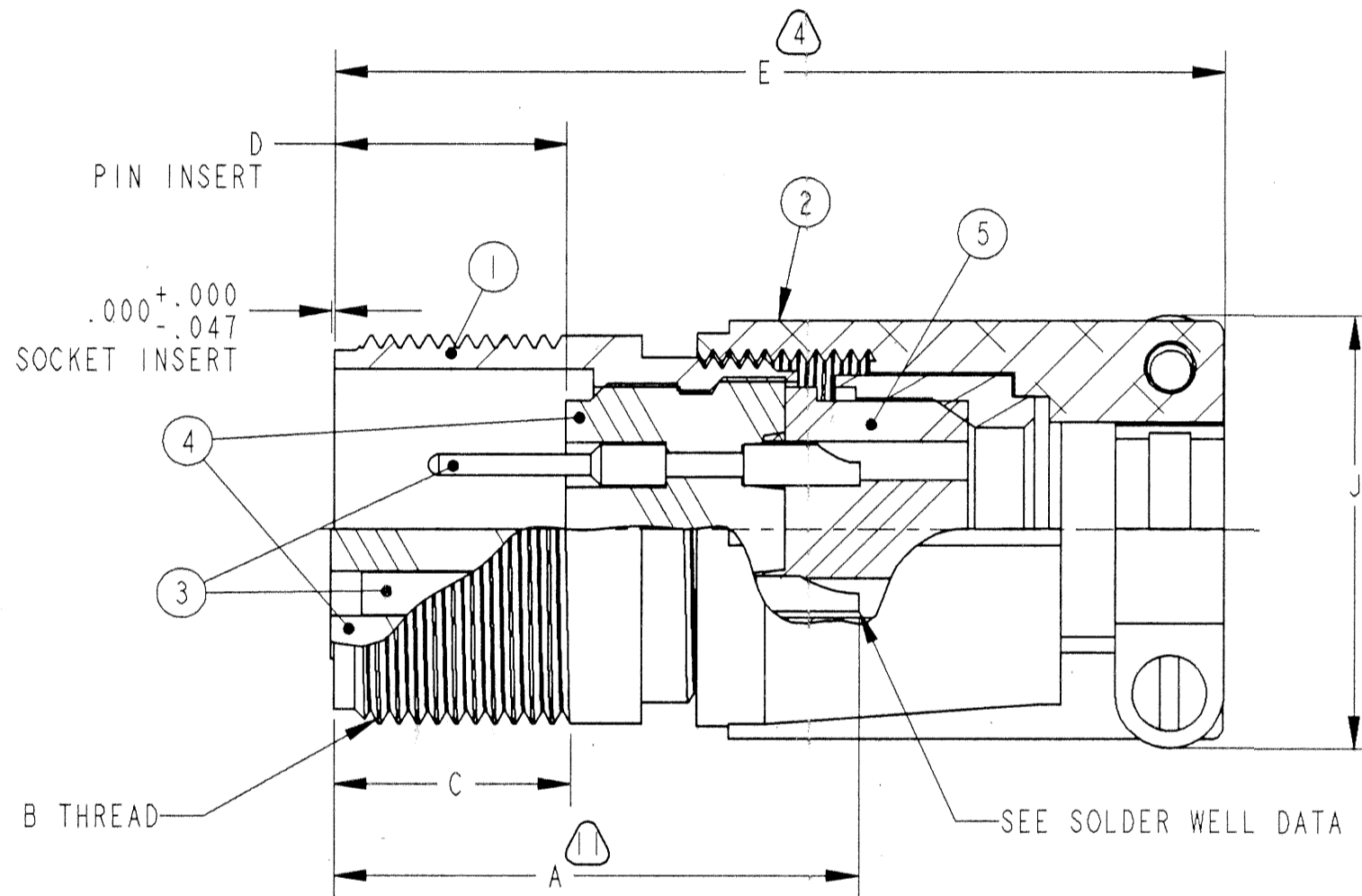
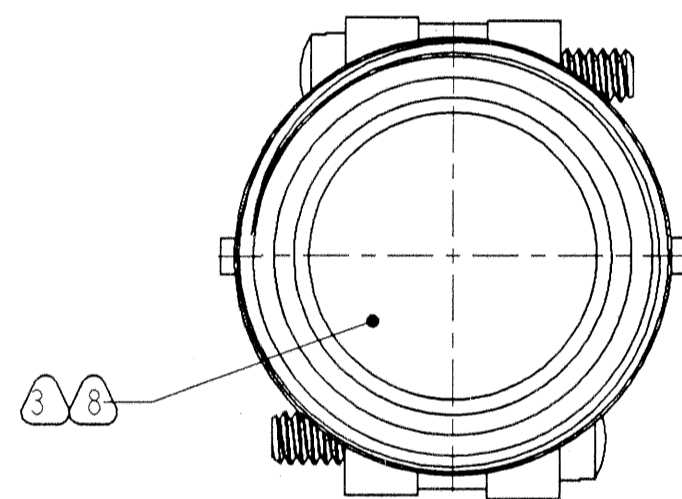


| 51526-58 | | REVISIONS | |
|----------|---|-----------|-------|
| LTR | DESCRIPTION | DATE | APPVD |
| C | (CL 11) SEE OBSOLETE RECORD DRAWING. REDESIGNED AND REDRAWN SAME SIZE SEE ECN: 84156 | 1-10-98 | GJO |



5 BLACK INK STAMP "AMPHENOL", DATE CODE (PER 9-3895) & MS NUMBER APPROX .062 HIGH PER 9-2811. EXAMPLE: AMPHENOL 9102 MS3101F20-12P



14

| CONTACT DATA (WHERE APPLICABLE) | |
|---|----------------|
| THERMOCOUPLE | |
| MATERIAL | IDENTIFICATION |
| CHROMEL | WHITE |
| ALUMEL | GREEN |
| IRON | BLACK |
| CONSTANTAN | YELLOW |
| INSERT ARRANGEMENTS CONTAINING THERMOCOUPLE CONTACTS MUST HAVE SUCH CONTACTS ASSEMBLED INTO THE INSERT IN PROPER LOCATIONS AS SPECIFIED BY APPLICABLE DRAWINGS MIL-STD-1651 | |

| SOLDER WELL DATA | | | | | | THERMOCOUPLE | |
|------------------|---------------------------------|---------------------------------|---------------------------------|---------------------------------|---------------------------------|---------------------------------|---------------------------------|
| CONTACT SIZE | 0 | 4 | 8 | 12 | 16 | 12 | 16 |
| WELL DIA | .469 ⁺ .005 -.003 | .332 ⁺ .005 -.003 | .209 ⁺ .004 -.002 | .116 ⁺ .004 -.002 | .078 ⁺ .004 -.002 | .125 ⁺ .004 -.002 | .094 ⁺ .004 -.002 |
| WELL DEPTH | .031 -.000 | .625 | .500 | .375 | .250 | .250 | .188 |

| POS | QTY | PART NUMBER | DESCRIPTION | NOTE |
|-----|-----|-------------|---------------|------|
| 5 | 1 | SEE COLUMN | GROMMET | |
| 4 | 1 | SEE COLUMN | INSERT | |
| 3 | | SEE NOTE 12 | CONTACTS | |
| 2 | 1 | SEE COLUMN | BACKSHELL KIT | |
| 1 | 1 | SEE COLUMN | SHELL | |

| UNLESS OTHERWISE SPECIFIED | SPECIFICATIONS | APPROVALS | | DATE | PARTS LIST | |
|---|--|-------------|--------------------|---------------|---|--|
| LINEAR DIMENSIONS ARE IN INCHES TOLERANCES: .XXXX = ±.0005 .XXX = ±.010 .XX = ±.03 .X = ±.1 ANGLES = ±2° OTHER STANDARDS PER 9-3800 AND DOD-D-1000 THIRD ANGLE PROJECTION | MATERIAL SPEC. | PREPARED | WHITNEY | 11-4-69 | AMPHENOL CORPORATION <small>SIDNEY, N.Y. 13838-1395</small> | |
| | N/A | CHECKED | MENDEOLA | 11-18-69 | | |
| | PROCESS SPEC. | APPROVED | R. W. TYLER | 11-6-69 | CONNECTOR, ELECTRICAL RECEPTACLE, TYPE MS3101F | |
| | TEST: 9-3106-5 ASSY: 9-3103-1 9-2437, 9-2811, 9-3895 | APPROVED | W. M. HARRISON | 11-19-69 | | |
| PRO/ENG INFORMATION 10_474108_150.ASSEM 10_474108_150 | | SIZE | FSCM NO. | DOCUMENT NO. | REV. | |
| | | C | 77820 | 10-474108/150 | C | |
| | | SCALE: NONE | REF: 10-329820/839 | SHEET 1 OF 2 | | |

SEE SHEET 2.

NOTES:

THE USE OF THIS DOCUMENT IS UNLIMITED. HOWEVER, DOCUMENTS REFERENCED HEREON MAY CONTAIN LIMITED RIGHTS DATA.

| | | |
|-------------------|------------------|---------------|
| COMPANY ID: 4 | CODED/MS/CUST: Y | N/A |
| INTERNAL: N | LOT NO: N | N/A |
| DATE CODE: 9-3895 | SEE DRAW: N | N/A |
| STAMPING DATA | | NEXT ASSEMBLY |

FAMCODES|DATA3:ANS MNS|CICS:

| ASSEMBLY NUMBER | MS NUMBER | (5) INSERT | (15) GROMMET | SHELL | BACKSHELL KIT | A +.050 -.060 | B THREAD CLASS 2A (PLATED) | C MIN FULL THREAD | D ±.031 | E MAX | J MAX |
|-----------------|----------------|---------------|--------------|-------------|---------------|---------------------|-------------------------------------|----------------------------|------------|----------|----------|
| 10-474108-() | 3101F- 8S -() | NOT AVAILABLE | | | | | | | | | |
| 10-474110-() | 3101F-10S -() | NOT AVAILABLE | | | | | | | | | |
| 10-474111-() | 3101F-10SL-() | 10-74811-() | 10-60711-() | 10-37261-11 | 10-584182-113 | 1.094 | .6250-24 UNEF | .406 | .484 | 2.192 | .896 |
| 10-474112-() | 3101F-12S -() | 10-74812-() | 10-60712-() | 10-37261-12 | 10-584182-113 | 1.094 | .7500-20 UNEF | .422 | .484 | 2.192 | .896 |
| 10-474113-() | 3101F- 12 -() | 10-74813-() | 10-60713-() | 10-37261-13 | 10-584182-113 | 1.532 | .7500-20 UNEF | .656 | .672 | 2.536 | .896 |
| 10-474114-() | 3101F-14S -() | 10-74814-() | 10-60714-() | 10-37261-14 | 10-584185-143 | 1.094 | .8750-20 UNEF | .391 | .484 | 2.192 | 1.021 |
| 10-474115-() | 3101F- 14 -() | 10-74815-() | 10-60715-() | 10-37261-15 | 10-584185-143 | 1.532 | .8750-20 UNEF | .625 | .672 | 2.536 | 1.021 |
| 10-474116-() | 3101F-16S -() | 10-74816-() | 10-60716-() | 10-37261-16 | 10-584187-163 | 1.094 | 1.0000-20 UNEF | .391 | .484 | 2.192 | 1.151 |
| 10-474117-() | 3101F- 16 -() | 10-74817-() | 10-60717-() | 10-37261-17 | 10-584188-173 | 1.532 | 1.0000-20 UNEF | .625 | .672 | 2.536 | 1.151 |
| 10-474118-() | 3101F- 18 -() | 10-74818-() | 10-60718-() | 10-37261-18 | 10-584189-183 | 1.532 | 1.1250-18 UNEF | .625 | .672 | 2.661 | 1.242 |
| 10-474120-() | 3101F- 20 -() | 10-74820-() | 10-60720-() | 10-37261-20 | 10-584190-203 | 1.532 | 1.2500-18 UNEF | .625 | .672 | 2.661 | 1.499 |
| 10-474122-() | 3101F- 22 -() | 10-74822-() | 10-60722-() | 10-37261-22 | 10-584191-223 | 1.532 | 1.3750-18 UNEF | .625 | .672 | 2.661 | 1.499 |
| 10-474124-() | 3101F- 24 -() | 10-74824-() | 10-60724-() | 10-37261-24 | 10-584192-243 | 1.532 | 1.5000-18 UNEF | .625 | .672 | 2.739 | 1.781 |
| 10-474128-() | 3101F- 28 -() | 10-74828-() | 10-60728-() | 10-37261-28 | 10-584193-283 | 1.532 | 1.7500-18 UNS | .625 | .672 | 2.739 | 1.781 |
| 10-474132-() | 3101F- 32 -() | 10-74832-() | 10-60732-() | 10-37261-32 | 10-584194-323 | 1.532 | 2.0000-18 UNS | .625 | .672 | 3.128 | 2.087 |
| 10-474136-() | 3101F- 36 -() | 10-74836-() | 10-60736-() | 10-37261-36 | 10-584195-363 | 1.532 | 2.2500-16 UN | .625 | .672 | 3.128 | 2.281 |
| 10-474140-() | 3101F- 40 -() | 10-74840-() | 10-60740-() | 10-37261-40 | 10-584196-403 | 1.532 | 2.5000-16 UN | .625 | .672 | 3.128 | 2.550 |
| 10-474141/50 | | NOT AVAILABLE | | | | | | | | | |



- 6. TO COMPLETE ASSEMBLY NUMBER AND MS NUMBER, ADD APPLICABLE INSERT ARRANGEMENT SUFFIX TO BASE NUMBERS LISTED ABOVE. (FOR ALTERNATE ARRANGEMENTS, REFER TO 9-2437).
- 5. SEE WORK ORDER FOR PERMISSIBLE ADDITIONAL OR ALTERNATE STAMPING.
- 4. DIMENSION INDICATES FINAL INSTALLATION. FOR STORAGE AND SHIPPING, NUT, SLEEVE AND GROMMET MAY BE SHIPPED UNASSEMBLED.
- 3. FOR CONTACT SIZE, SPACING AND SERVICE RATING, SEE DRAWINGS, MIL-STD-1651.
- 2. PACKAGE PER PRODUCTION PROCESS SHEET.
- 1. ALL UNUSED GROMMET HOLES MUST BE FILLED WITH APPROPRIATE SIZE SEALING PLUGS.

- 15. SOME INSERTS AND GROMMETS ARE TOOLED UNDER A +50 PART NUMBER. CONSULT PARTS LIST FOR VERIFICATION.
- 14. INDICATED THERMOCOUPLE CONTACT DATA IS APPLICABLE ONLY TO 10-474117-13P/S, 10-474118-15P/S (AND THEIR ALTERNATE ARRANGEMENTS) WHICH ARE THE ONLY THERMOCOUPLE ARRANGEMENTS AVAILABLE IN THIS SERIES.
- 13. SHIP CONNECTOR WITH SEALING PLUGS UNASSEMBLED.
- 12. SEE SEPARATE PARTS LIST FOR COMPONENT PART NUMBERS AND QUANTITIES.
- 11. INCREASE "A" DIMENSION BY .312 FOR SIZE "0" CONTACT ONLY.
- 10. UNITS ILLUSTRATED MEET THE MATERIAL AND FINISH REQUIREMENTS OF MIL-C-5015.
- 9. ALL LOCKWIRE HOLES ARE .045 DIAMETER MINIMUM
- 8. INSERTS AND CONTACTS ARE REMOVABLE.
- 7. SEE DRAWING 10-474608/650 AND OTHERS FOR REQUIRED MATING PLUG ASSEMBLIES.

NOTES:
 THE USE OF THIS DOCUMENT IS UNLIMITED. HOWEVER, DOCUMENTS REFERENCED HEREON MAY CONTAIN LIMITED RIGHTS DATA.

| | | | |
|------------------|--------------------------|--------------------------------------|------------------|
| SIZE C | FSCM NO. 77820 | DOCUMENT NO. 10-474108/150 | REV. C |
| SCALE: NONE | | REF: 10-329820/839 | SHEET 2 OF 2 |

X-ON Electronics

Largest Supplier of Electrical and Electronic Components

Click to view similar products for [Circular MIL Spec Connector](#) category:

Click to view products by [Amphenol](#) manufacturer:

Other Similar products are found below :

[0025-262-542](#) [0025-264-3014](#) [58-570121-04S](#) [0134-202-1200](#) [0134-207-1206](#) [0134-207-1800](#) [0134-207-2207](#) [0134-213-0806](#) [0134-213-1007](#) [0134-213-1009](#) [0134-213-1208](#) [0134-213-1800](#) [0134-213-2209](#) [0025-258-000](#) [015-9516-002](#) [60-042722-19P](#) [0114-201-1278](#) [602GB06EG24-61SN](#) [0134-201-1207](#) [0134-201-1806](#) [0134-201-2006](#) [0134-201-2007](#) [0134-201-2010](#) [0134-202-1400](#) [0134-207-0809](#) [0134-207-1208](#) [0134-207-2009](#) [0134-213-1006](#) [6104-207-2302](#) [6104-208-1902](#) [6131-202-19149P](#) [6131-204-21149P](#) [6131-207-13149P](#) [6131-208-13149P](#) [6131-209-17149P](#) [6131-210-11149P](#) [6131-211-19149P](#) [6131-216-19149P](#) [6131-220-25149P](#) [6131-259-11149P](#) [6131-259-21149P](#) [6131-259-23149P](#) [6131-263-19149P](#) [6131-265-17149P](#) [6131-265-19149P](#) [CS3102A-20-15P](#) [CS3102A-20-15S](#) [CS3102C18-4P-472](#) [CS3106A-20-29P](#) [CS3106A-20-74P](#)