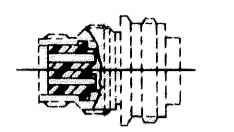
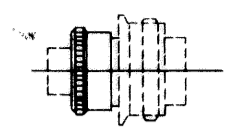
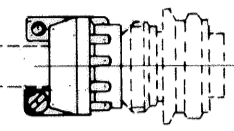
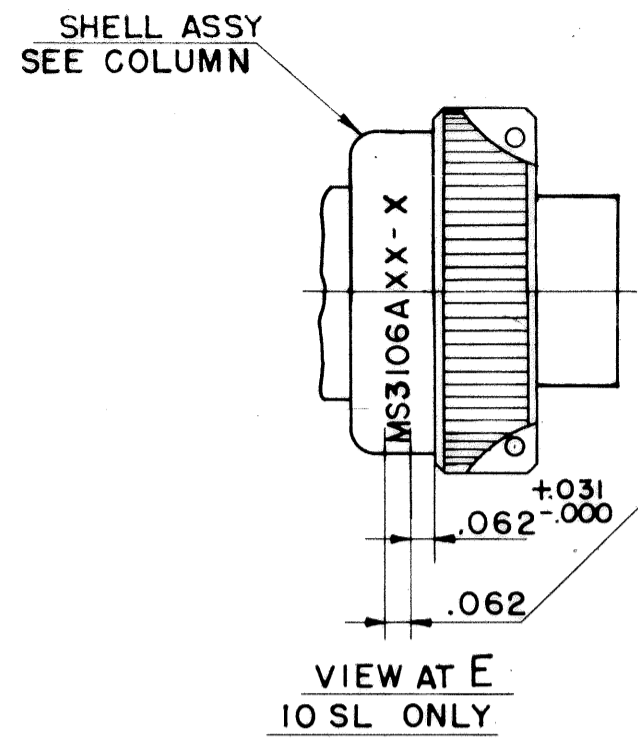


REL	32508-157	WAS	DATE	D'MAN	APPD.
1	33780-57	ADD. NOTE II & DATA.	1-21-58	MOORE	
2	35826-4	RELOC & REV C DIM AND .000 +.016 -.047	8-30-59	BARTKOW	
A1	36200-27	.188(16M), .250(12) & .500(4) (SOLDER WELL DEPTH); REM SOLDER WELL DATA FOR 16	2-11-60	MARKOWSKI	
A	36525-325	REM PD COL (A & V THD) REV. NOTE 3, Q DIA COL, ADD NOTE 12	3-17-60	MARKOWSKI	
A3	36525-448	ADDED NOTE 13, REV NOTE 12	7-5-60	PAWLICK	
A4	42525-45	MIL-C-5015C (NOTE 1)	10-2-63	MILLAR	
A5	51175-1	REM NOTE 11, REVISION LETTER (C) (3 PLCS)	11-7-69	RANDALL	
A	53249-14	ADD. 9-3895 (PRO SPEC) REV STAMPING NOTE	1-6-72	RANDALL	
B	76208-1	(CL II) REV MS COL	4/30/85	BOWKER	

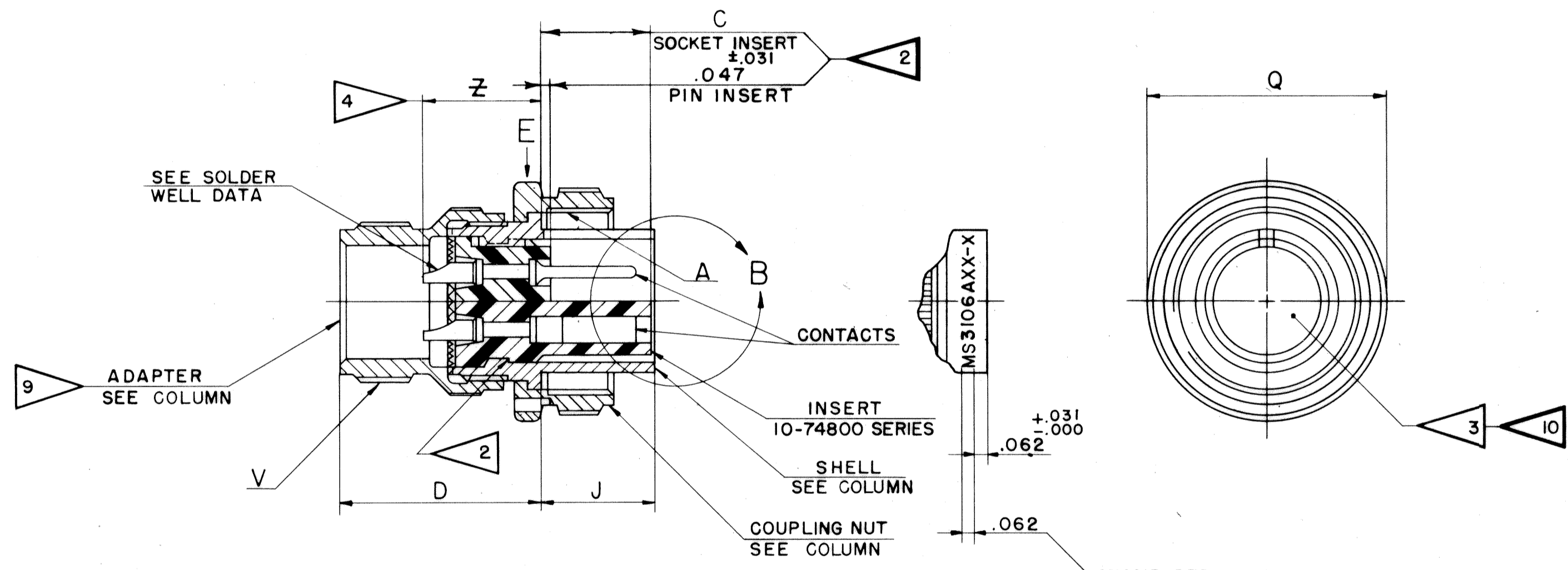
ACCESSORIES
(NOT PART OF STANDARD ASSEMBLY)

 GROMMET 10-40800 SERIES	 GROMMET RETAINING NUT SEE TABLE
 CABLE CLAMP 10-35900-XX3 SERIES	



STAMP PER 9-2811
EXAMPLE:
MS3106A10SL-3S BENDIX-7139

NUT MUST TURN FREELY
AFTER STAMPING



VIEW B
EXCEPT IOSL

STAMP PER 9-2811
MS NO., "BENDIX" & DATE CODE (9-3895)
OPPOSITE KEYWAY
EXAMPLE:
MS3106A20-12S BENDIX -7139

FOR SUFFIX OTHER THAN "P" OR "S",
STAMP PER 9-2437
(SUFFIX OF MS NO. ONLY)
EXAMPLE:
MS3106A20-12SX BENDIX -7139

10-168608 THRU
10-168640

USE OF THIS DOCUMENT IS UNLIMITED. DOCUMENTS REFERENCED HEREON CONTAIN LIMITED RIGHTS DATA.

CONTACT SIZE	0	4	8	12	16M
WELL DIA	.469 ^{+0.005} _{-.003}	.332 ^{+0.005} _{-.003}	.209 ^{+0.004} _{-.002}	.116 ^{+0.004} _{-.002}	.078 ^{+0.004} _{-.002}
WELL DEPTH ^{+0.031} _{-.000}	.625	.625	.500	.375	.250

MATERIAL SPEC.	PROCESS SPEC.	SCINTILLA MAGNETO DIVISION				TOLERANCES UNLESS OTHERWISE SPECIFIED			
	SEE SHEET 2	BENDIX AVIATION CORPORATION SYDNEY, N. Y., U.S.A.				FRACTIONS ± ~	ANGLES ± ~		
		NAME CONNECTOR, ELECTRICAL PLUG, TYPE C () MC				DECIMALS ± .010	CONCENTRICITY FIR		
						SURFACE FINISHES MICRO-INCHES RMS VALUE MAX			
HEAT TREAT SPEC.	FINISH SPEC.					NEXT ASSEMBLY	WEIGHT-LBS SEE PARTS LIST		
						SUPERSEDES AND IS NOT INTERFERED BY			
		D'MAN	CHECKER	MAT.	STDS	CH. D'MAN	APPROVED	SCALE	SUPERSEDED BY
		A S MEYER	B R I N I C					NONE	10-168608 THRU 10-168640
TOOL ACC.	COM. REC. 22563-8					10-68608/40			

SEE SHEET 2.
NOTES: REF SYMBOL

REL	32500-157	WAS	DATE	D'MAN	APPD.
1	33750-57	SEE SHEET I	1-21-58	MOORE	<i>[Signature]</i>
2	35826-4	SEE SHEET I	8-30-59	BARTKOW	<i>[Signature]</i>
A1	36200-27	SEE SHEET I	2-11-60	Markowski	<i>[Signature]</i>
A2	34525-325	SEE SHEET I	3-17-60	Markowski	<i>[Signature]</i>
A3	36525-448	SEE SHEET I	7-5-60	PAWLICK	<i>[Signature]</i>
A4	42525-45	SEE SHEET I	10-26-63	MELAR	<i>[Signature]</i>

A5
A6
B
SEE SHEET I FOR ALL CHANGES

ASSEMBLY NO.	MS NO.	DIMENSIONS							DETAILS			ACCESSORY
		A THREAD CLASS 2B	G +.047 -.000	D	J ±.005	Q DIA MAX	V THREAD (PLATED) CLASS 2A	Z ±.045	SHELL	COUPLING NUT	ADAPTER	GROMMET RETAINING NUT
10-168608 -	3106 A 8S -	.5000-28 UNEF	.531	.859 ±.030	.531	.741	.5000-28 UNEF	.562	10-37266 - 8	10-37265 - 8	10-37267 - 8	10-37269 - 8
10-168610 -	IOS -	.6250-24 NEF	.531	.937 ±.030	.531	.869	.5000-28 UNEF		10-37266-10	10-37265 -10	-10	-10
10-168611 -	IOSL -	.6250-24 NEF	.531	.937 ±.025	.531	.946	.6250-24 NEF		10-113488-11 (SHELL ASSY)		-12	-12
10-168612 -	12S -	.7500-20 UNEF	.531	.937 ±.030	.531	.995			10-37266 - 12	10-37265 - 12	-12	-12
10-168613 -	12 -	.7500-20 UNEF	.719	1.124 ±.030	.719	.995		.812	-13	-13	-13	-13
10-168614 -	14S -	.8750-20 UNEF	.531	.937 ±.030	.531	1.123	.7500-20 UNEF	.562	-14	-14	-14	-14
10-168615 -	14 -	.8750-20 UNEF	.719	1.124 ±.030	.719	1.123	.7500-20 UNEF	.812	-15	-15	-15	-15
10-168616 -	16S -	1.0000-20 UNEF	.531	.937 ±.030	.531	1.250	.8750-20 UNEF	.562	-16	-16	-16	-16
10-168617 -	16 -	1.0000-20 UNEF	.719	1.124 ±.030	.719	1.250	.8750-20 UNEF	.812	-17	-17	-17	-17
10-168618 -	18 -	1.1250-18 NEF		1.219 ±.030		1.333	1.0000-20 UNEF		-18	-18	-18	-18
10-168620 -	20 -	1.2500-18 NEF		1.125 ±.030		1.461	1.1875-18 NEF		-20	-20	-20	-20
10-168622 -	22 -	1.3750-18 NEF		1.219 ±.030		1.588	1.1875-18 NEF		-22	-22	-22	-22
10-168624 -	24 -	1.5000-18 NEF		1.251 ±.030		1.715	1.4375-18 NEF		-24	-24	-24	-24
10-168628 -	28 -	1.7500-18 NS		1.470 ±.030		1.968	1.4375-18 NEF		-28	-28	-28	-28
10-168632 -	32 -	2.0000-18 NS		1.439 ±.030		2.209	1.7500-18 NS		-32	-32	-32	-32
10-168636 -	36 -	2.2500-16 UN		1.500 ±.030		2.463	2.0000-18 NS		-36	-36	-36	-36
10-168640 -	40 -	2.5000-16 UN		1.469 ±.030		2.718	2.2500-16 UN		-40	-40	-40	-40

10-168608 THRU
10-168640



1. THE UNITS ILLUSTRATED MEET THE REQUIREME OF MS3016A, PER SPEC MIL-C-5015(D).
2. DIMENSIONS MUST BE MAINTAINED WHEN INSERTS ARE PRESSED FIRMLY AGAINST INDICATED SHOULDER.
3. FOR CONTACT SIZE, SPACING, & SERVICE RATING, SEE DRAWINGS MS33680 THRU MS33690.
4. INCREASE Z DIMENSION BY .312 FOR SIZE "O" CONTACT ONLY.
5. TO COMPLETE ASSEMBLY NUMBER & MS NUMBER, ADD APPLICABLE INSERT ARRANGEMENT SUFFIX TO BASE NUMBERS LISTED ABOVE. (FOR ALTERNATE ARRANGEMENTS, REFER TO 9-2437.) TO DETERMINE DESIRED INSERT ARRANGEMENT, SEE PARTS LISTS 10-168608 THRU 10-168640.
6. SEE WORK ORDER FOR PERMISSIBLE ADDITIONAL OR ALTERNATE STAMPING.
7. SEE DRAWINGS 10-168008 THRU 10-168040 10-168208 THRU 10-168240 FOR REQUIRED MATING RECEPTACLE ASSEMBLIES.
8. ALL LOCKWIRE HOLES ARE .045 DIA MIN.
9. ADAPTER MUST BE REMOVED WHEN GROMMET RETAINING NUT IS USED.
10. INSERTS AND CONTACTS ARE REMOVABLE.
- 11.
12. FOR PART NUMBERS 10-168617-13, 10-168618-15, & 61 - SEE INDIVIDUAL DRAWINGS 10-168617-13, 10-168618-15, & 61-00000.
13. FOR DIMENSIONS AND STAMPING ON ALL ARRANGEMENTS WITH SUFFIX -50 OR ABOVE SEE INDIVIDUAL DRAWING OF SAME SHELL SIZE & SUFFIX IN 10-41600 SERIES.

MATERIAL SPEC.		PROCESS SPEC. TEST 9-3106-5		SCINTILLA MAGNETO DIVISION BENDIX AVIATION CORPORATION SIDNEY, N. Y., U.S.A. NAME CONNECTOR ELECTRICAL PLUG, TYPE C () MC				TOLERANCES UNLESS OTHERWISE SPECIFIED					
HEAT TREAT SPEC.		ASSY 9-3103-1						FRACTIONS ±	ANGLES	DECIMALS ±.010	CONCENTRICITY	SURFACE ROUGHNESS MICRO-INCHES RMS VALUE MAX	
TOOL ACC.		9-2811, 9-2437 9-3895		D'MAN	CHECKER	DATE	ST'DS	CH. D'MAN	APPROVED	SCALE	NEXT ASSEMBLY	WEIGHT-LBS SEE PARTS LIST	
		CON. REC 21549-5		A.SMEY	BALANTIC	4-25-57	5-9-57	5-10-57	NONE		SUPERSEDES	AND IS NOT INTERCHANGEABLE	
				DWG SIZE C				CODE 77820		SHEET 2 OF 2		10-168608 THRU 10-168640	

X-ON Electronics

Largest Supplier of Electrical and Electronic Components

Click to view similar products for [Circular MIL Spec Connector](#) category:

Click to view products by [Amphenol](#) manufacturer:

Other Similar products are found below :

[89075GULPR](#) [0025-262-542](#) [0025-264-3014](#) [58-570121-04S](#) [0134-213-1208](#) [0134-213-2209](#) [0025-258-000](#) [60-042022-07P](#) [60-042022-19P](#)
[60-042022-23P](#) [60-042217-10P](#) [0114-201-1278](#) [012-0467-000](#) [602GB06EG24-61SN](#) [0134-201-1207](#) [0134-213-1006](#) [6104-207-2302](#) [6104-](#)
[208-1902](#) [61-168211-04P](#) [61-168617-10P](#) [6131-202-19149P](#) [6131-204-21149P](#) [6131-208-13149P](#) [6131-209-17149P](#) [6131-210-11149P](#) [6131-](#)
[211-19149P](#) [6131-216-19149P](#) [6131-259-21149P](#) [6131-259-23149P](#) [6131-265-17149P](#) [6131-265-19149P](#) [CS3100A18-1P-472](#) [CS3100A-36-](#)
[77P](#) [CS3101A-16-55P](#) [CS3102A-10SL-55P](#) [CS3102A-14S-58P](#) [CS3102A-32-17P](#) [CS3102A32-25S](#) [CS3102C18-4P-472](#)
[CS3106A10SL3S004](#) [CS3106A-18-73S](#) [CS3108A-14S-52S](#) [CS3108A-28-51S](#) [6162-233-1277](#) [6162-324-1231](#) [M243082296Z](#)
[M2884010AC1S1](#) [CT0-24-10SC](#) [CT0M20-7PCAU](#) [M28840/17AC1G3](#)