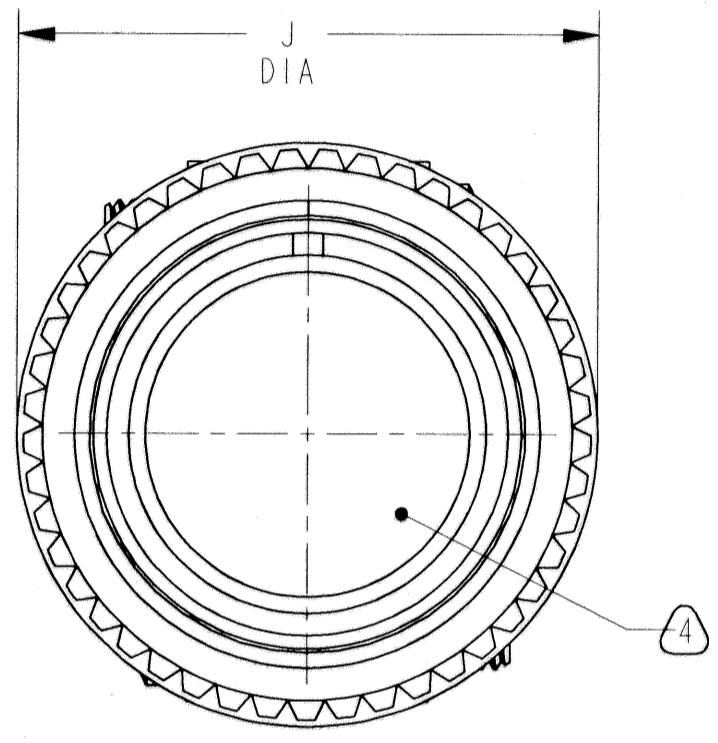
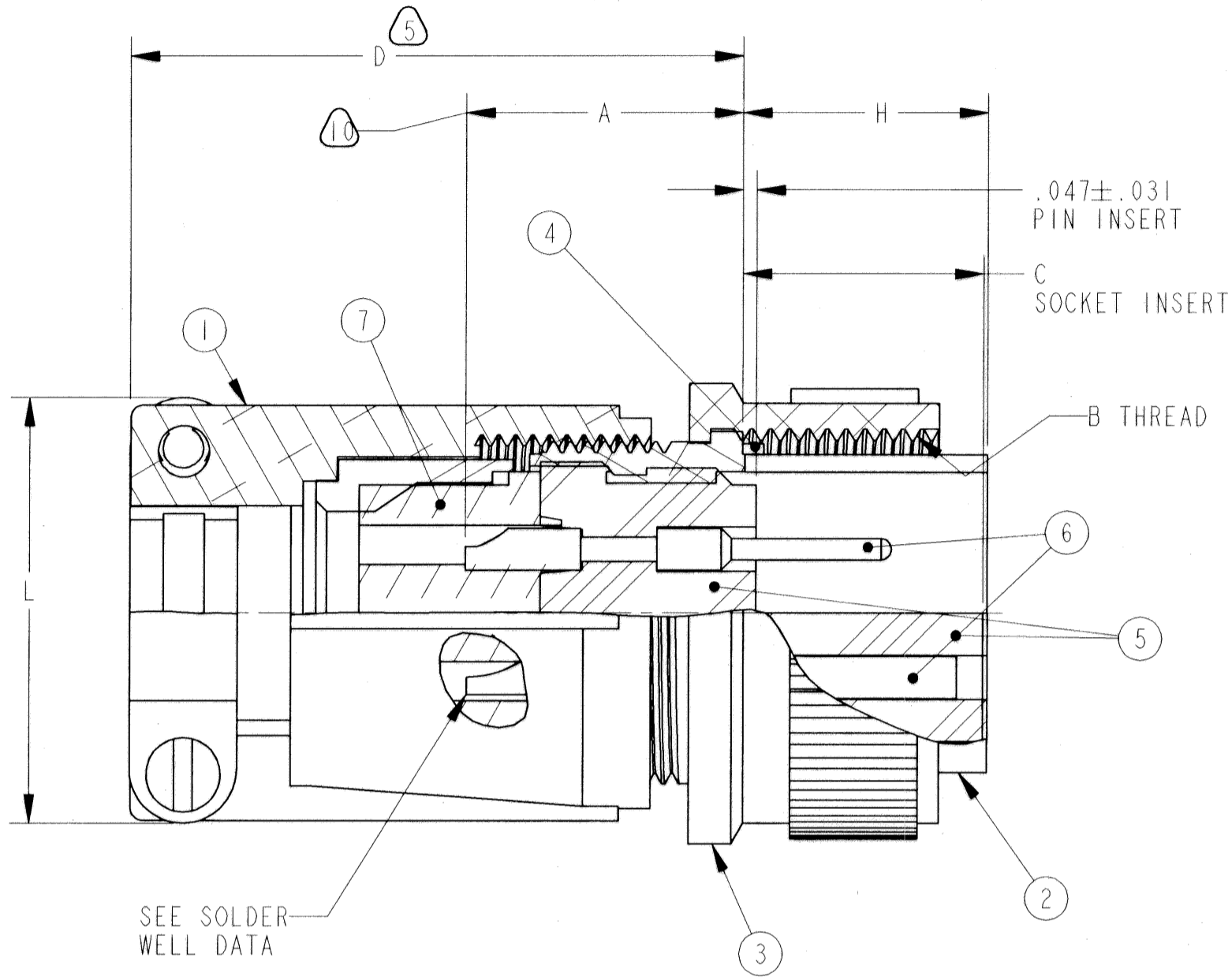
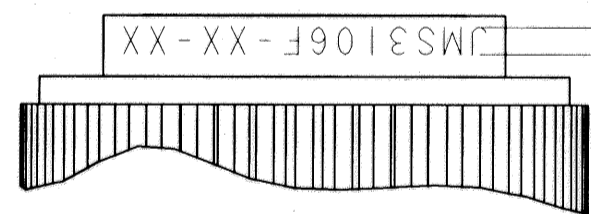


51536-58		REVISIONS	
LTR	DESCRIPTION	DATE	APPVD
<b>C</b>	(CL 11) REDRAWN SAME SIZE SEE ECN: 84215		
<b>D</b>	(CL 11) SEE ECN 91328	9/1/69	<i>H. Baker</i>



.062  
STAMP MS NUMBER, "AMPHENOL"  
AND DATE CODE (9-3895)  
OPPOSITE KEYWAY PER 9-2811  
IN APPROXIMATE POSITION SHOWN  
EXAMPLE:  
JMS3106F-18-1P AMPHENOL 9829



CONTACT DATA(WHERE APPLICABLE)	
THERMOCOUPLE	
MATERIAL	IDENTIFICATION
CHROMEL	WHITE
ALUMEL	GREEN
IRON	BLACK
CONSTANTAN	YELLOW

INSERT ARRANGEMENTS CONTAINING THERMOCOUPLE CONTACTS MUST HAVE SUCH CONTACTS ASSEMBLED INTO THE INSERT IN PROPER LOCATIONS AS SPECIFIED BY APPLICABLE DRAWINGS MIL-STD-1651

CONTACT SIZE	STANDARD SOLDER WELL DATA					THERMOCOUPLE	
	0	4	8	12	16	12	16
WELL DIA	.469 <sup>+0.005</sup> / <sub>-.003</sub>	.332 <sup>+0.005</sup> / <sub>-.003</sub>	.209 <sup>+0.004</sup> / <sub>-.002</sub>	.116 <sup>+0.004</sup> / <sub>-.002</sub>	.078 <sup>+0.004</sup> / <sub>-.002</sub>	.125 <sup>+0.004</sup> / <sub>-.002</sub>	.094 <sup>+0.004</sup> / <sub>-.002</sub>
WELL DEPTH	<sup>+0.031</sup> / <sub>-.000</sub>	.625	.625	.500	.375	.250	.188

POS	QTY	PART NUMBER	DESCRIPTION	NOTE
7	1	SEE COLUMN	GROMMET	
6	AR	SEE NOTE	CONTACTS	
5	1	SEE COLUMN	INSERT	
4	1	10-035957-XXI	GASKET	
3	1	SEE COLUMN	COUPLING	
2	1	SEE COLUMN	SHELL	
1	1	SEE COLUMN	BACKSHELL KIT	

SEE SHEET 2.

**NOTES:**

THE USE OF THIS DOCUMENT IS UNLIMITED. HOWEVER, DOCUMENTS REFERENCED HEREON MAY CONTAIN LIMITED RIGHTS DATA.

UNLESS OTHERWISE SPECIFIED	SPECIFICATIONS
LINEAR DIMENSIONS ARE IN INCHES	MATERIAL SPEC. N/A
TOLERANCES:	APPROVALS
.XXXX = ±.0005	PREPARED WHITNEY 11-4-69
.XXX = ±.010	CHECKED MENDEOLA 11/18/69
.XX = ±.03	MATERIAL
.X = ±.1	APPROVED US R.W. TYLER 11-6-69
ANGLES = ±2°	APPROVED WMHARRISON 11-19-69
OTHER STANDARDS PER 9-3800 AND DOD-D-1000	TEST 9-3106-5 ASSY 9-2437, 9-2811 9-3103-1, 9-3895
THIRD ANGLE PROJECTION	PRO/ENG INFORMATION 10-474608-650.ASSEM 10-474608-650

PARTS LIST		AMPHENOL CORPORATION		CONNECTOR, ELECTRICAL PLUG, TYPE 3106F	
SIZE	FSCM NO.	DOCUMENT NO.	REV.		
<b>C</b>	<b>77820</b>	<b>10-474608/650</b>	<b>D</b>		
SCALE: NONE	REF: 10-329860/879	SHEET 1 OF 2			

4		3		2		1						
ASSEMBLY NUMBER	MS NUMBER	INSERT	GROMMET	SHELL	COUPLING NUT	BACKSHELL KIT	A ±.045	B THREAD CLASS 2B (PLATED)	C +.047 -.000	D MAX	H MAX	J DIA MAX
10-474608-( )	3106F- 8S -( )	NOT AVAILABLE										
10-474610-( )	3106F-10S -( )	NOT AVAILABLE										
10-474611-( )	3106F-10SL-( )	10-074811-( )	10-060711-( )	10-37266-011	SHELL ASSY	10-584182-113	.562	.6250-24 UNEF	.531	2.129	.531	.946
10-474612-( )	3106F-12S -( )	10-074812-( )	10-060712-( )	10-37266-012	10-37265-12	10-584182-113	.562	.7500-20 UNEF	.531	2.129	.531	.995
10-474613-( )	3106F- 12 -( )	10-074813-( )	10-060713-( )	10-37266-013	10-37265-13	10-584182-113	.812	.7500-20 UNEF	.719	2.129	.719	.995
10-474614-( )	3106F-14S -( )	10-074814-( )	10-060714-( )	10-37266-014	10-37265-14	10-584185-143	.562	.8750-20 UNEF	.531	2.201	.531	1.123
10-474615-( )	3106F- 14 -( )	10-074815-( )	10-060715-( )	10-37266-015	10-37265-15	10-584185-143	.812	.8750-20 UNEF	.719	2.524	.719	1.123
10-474616-( )	3106F-16S -( )	10-074816-( )	10-060716-( )	10-37266-016	10-37265-16	10-584187-163	.562	1.0000-20 UNEF	.531	2.201	.531	1.250
10-474617-( )	3106F- 16 -( )	10-074817-( )	10-060717-( )	10-37266-017	10-37265-17	10-584188-173	.812	1.0000-20 UNEF	.719	2.524	.719	1.250
10-474618-( )	3106F- 18 -( )	10-074818-( )	10-060718-( )	10-37266-018	10-37265-18	10-584189-183	.812	1.1250-18 UNEF	.719	2.596	.719	1.333
10-474620-( )	3106F- 20 -( )	10-074820-( )	10-060720-( )	10-37266-020	10-37265-20	10-584190-203	.812	1.2500-18 UNEF	.719	2.654	.719	1.461
10-474622-( )	3106F- 22 -( )	10-074822-( )	10-060722-( )	10-37266-022	10-37265-22	10-584191-223	.812	1.3750-18 UNEF	.719	2.654	.719	1.588
10-474624-( )	3106F- 24 -( )	10-074824-( )	10-060724-( )	10-37266-024	10-37265-24	10-584192-243	.812	1.5000-18 UNEF	.719	2.885	.719	1.715
10-474628-( )	3106F- 28 -( )	10-074828-( )	10-060728-( )	10-37266-028	10-37265-28	10-584193-283	.812	1.7500-18 UNS	.719	2.885	.719	1.968
10-474632-( )	3106F- 32 -( )	10-074832-( )	10-060732-( )	10-37266-032	10-37265-32	10-584194-323	.812	2.0000-18 UNS	.719	2.943	.719	2.209
10-474636-( )	3106F- 36 -( )	10-074836-( )	10-060736-( )	10-37266-036	10-37265-36	10-584195-363	.812	2.2500-16 UN	.719	2.943	.719	2.463
10-474640-( )	3106F- 40 -( )	10-074840-( )	10-060740-( )	10-37266-040	10-37265-40	10-584196-403	.812	2.5000-16 UN	.719	3.068	.719	2.718
10-474641/50	NOT AVAILABLE											

7

10. INCREASE "A" DIMENSION BY .312 FOR SIZE "0" CONTACT ONLY.
9. SEE SEPARATE PARTS LIST FOR COMPONENT PART NUMBERS AND QUANTITIES.
8. ALL LOCKWIRE HOLES ARE .045 DIAMETER MINIMUM.
7. TO COMPLETE ASSEMBLY NUMBER AND MS NUMBER, ADD APPLICABLE INSERT ARRANGEMENT SUFFIX TO BASE NUMBERS LISTED ABOVE. ( FOR ALTERNATE ARRANGEMENTS, REFER TO 9-2437).
6. SEE WORK ORDER FOR PERMISSIBLE ADDITIONAL OR ALTERNATE STAMPING.
5. DIMENSION INDICATES FINAL INSTALLATION. FOR STORAGE AND SHIPPING, PARTS MAY BE UNASSEMBLED.
4. FOR CONTACT SIZE, SPACING AND SERVICE RATING SEE MIL-STD-1651.
3. ALL UNUSED GROMMET HOLES MUST BE FILLED WITH APPROPRIATE SIZE SEALING PLUGS.
2. DELETED
1. INDICATED THERMOCOUPLE CONTACT DATA IS APPLICABLE ONLY TO 10-474617-13P/S, 10-474618-15PS (AND THEIR ALTERNATE ARRANGEMENTS) WHICH ARE THE ONLY THERMOCOUPLE ARRANGEMENTS AVAILABLE IN THIS SERIES.

16. SOME INSERTS AND GROMMETS ARE TOOLED UNDER A +50 PART NUMBER. CONSULT PARTS LIST FOR VERIFICATION.
15. THE UNITS ILLUSTRATED MEET THE MATERIAL & FINISH REQUIREMENTS OF MIL-C-5015.
14. SHIP CONNECTOR WITH SEALING PLUGS UNASSEMBLED.
13. PACKAGE PER PRODUCTION PROCESS SHEET.
12. FOR MATING RECEPTACLE ASSEMBLIES, SEE DRAWING 10-474008 THROUGH 10-474050 AND OTHERS.
11. INSERTS AND CONTACTS ARE REMOVABLE.

NOTES:

THE USE OF THIS DOCUMENT IS UNLIMITED. HOWEVER, DOCUMENTS REFERENCED HEREON MAY CONTAIN LIMITED RIGHTS DATA.

SIZE <b>C</b>	FSCM NO. <b>77820</b>	DOCUMENT NO. <b>10-474608/650</b>	REV. <b>D</b>
SCALE: NONE		REF: 10-329860/879	SHEET 2 OF 2

D

C

SH 2 OF 2

10-474608/650

REV

A

TAB.

4

3

2

1

## X-ON Electronics

Largest Supplier of Electrical and Electronic Components

*Click to view similar products for [Circular MIL Spec Connector](#) category:*

*Click to view products by [Amphenol](#) manufacturer:*

Other Similar products are found below :

[89075GULPR](#) [0025-264-3014](#) [58-570121-04S](#) [58-584653-12P](#) [0134-213-1007](#) [0134-213-1208](#) [0134-213-2209](#) [0025-258-000](#) [60-042022-02P](#) [60-042022-19P](#) [60-042022-23P](#) [60-042217-10P](#) [60-042217-11P](#) [012-0467-000](#) [602GB06EG24-61SN](#) [0134-201-1207](#) [0134-207-2009](#) [0134-213-1006](#) [6104-207-2302](#) [6104-208-1902](#) [6131-202-19149P](#) [6131-204-21149P](#) [6131-207-13149P](#) [6131-208-13149P](#) [6131-209-17149P](#) [6131-210-11149P](#) [6131-211-19149P](#) [6131-216-19149P](#) [6131-220-25149P](#) [6131-259-11149P](#) [6131-259-21149P](#) [6131-259-23149P](#) [6131-263-19149P](#) [6131-265-17149P](#) [6131-265-19149P](#) [6134-203-21149](#) [CS3100A18-1P-472](#) [CS3100A-36-77S](#) [CS3101A36-79S-SR](#) [CS3102A-10SL-53P](#) [CS3102A10SL-64S](#) [CS3102A-18-1P116](#) [CS3102A-20-15S](#) [CS3102A-22-70S](#) [CS3102A-24-79S](#) [CS3102A24-AJS](#) [CS3102A-32-17P](#) [CS3102A32-25S](#) [CS3102A-36-78S](#) [CS3106A10SL3S004](#)