

Amphenol

Connector Accessories

AC ACC11 0717

Amphenol ACCESSORY



Amphenol

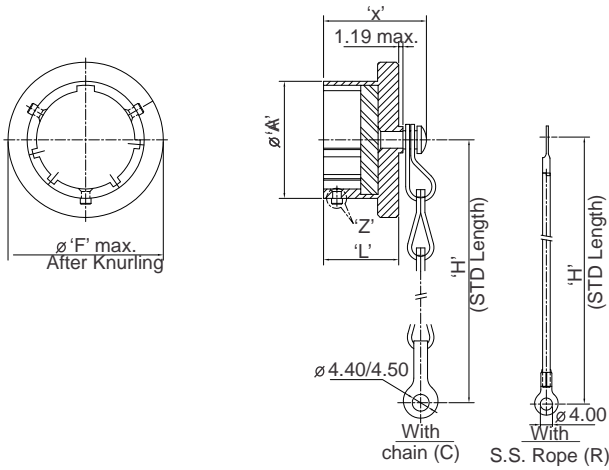
Introduction

Amphenol India is a leading Designer, Manufacturer and Marketer of Interconnection solutions since 1971. Amphenol is the first Company in India who started manufacturing high performance connectors. These expertise and capabilities enables us to turn your interconnection problems to solutions.

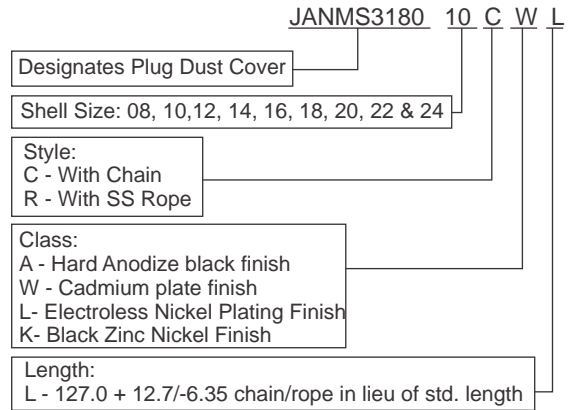
Amphenol Protective caps are developed for environmental protection needs of Circular connectors in Threaded & Bayonet versions. These are designed to meet the requirements of military standards.

We also offer dummy storage receptacle to secure your cable harness when not in functional use. This catalogue describes the standard and special purpose designs used in Military and Industrial Circular connectors.

	Page
MIL-C-26482 (MS3180 & MS181) Caps -----	1-2
MIL-DTL-38999 Series I (MS27501 & MS27502) Caps -----	3-4
MIL-DTL-38999 Series II (MS27510 & MS27511) Caps -----	5-6
MIL-DTL-38999 Series III (D38999/32 & D38999/33) Caps -----	7-8
MIL-DTL-5015 Reverse Bayonet Caps (97B-25042 & 97B-25043) Caps -----	9
Panel Nut 38999 Series III & IV -----	10
Panel Nut 26482-----	11
MIL DTL 5015 Threaded Dust Caps - QPL-----	12
MIL-5015 Proprietary Part Number -----	13
MIL-C-10544 Audio Connector Caps For 10 PIN Caps -----	14-15
MIL-DTL-C-22992 Caps -----	16
MIL-C-26482 & MIL-DTL-5015 Dummy Receptacle -----	17-19
MIL-DTL-38999 Series III Dummy Receptacle -----	20
Insertion & Removal Tool -----	21
Backshell for MIL-DTL-24308 -----	22
Square Flange Gaskets for (MIL-C-26482 & MIL-DTL-5015)-----	23



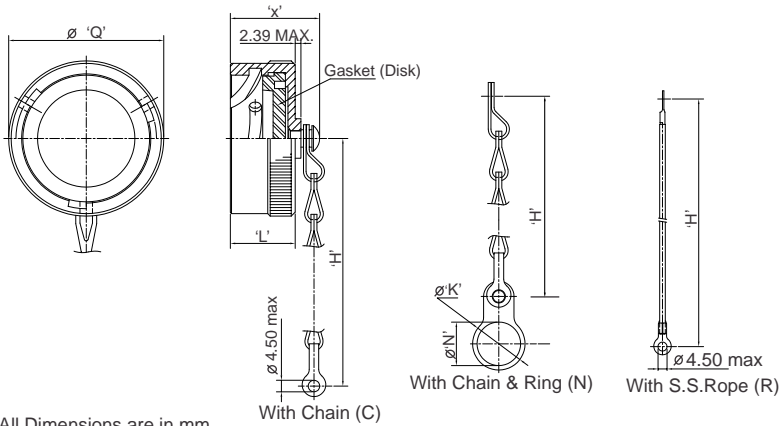
Ordering Information (MIL Part Number)



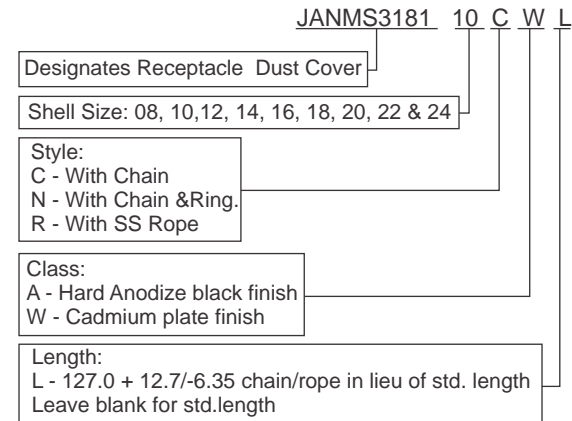
Note: For non. std. long "L" Contact factory

All Dimensions are in mm

Shell Size	ϕA Ref.	ϕF Max. Overall.	H +12.70/-6.35	L Max. Length	X Max. Overall	ϕF +0.00/-0.08 For Heavy Duty
08	12.01	18.26	76.20	14.27	19.84	22.10
10	14.99	21.44				24.86
12	19.05	25.40				29.24
14	22.22	28.58				32.41
16	25.40	31.75	101.60	15.88	21.44	35.58
18	28.58	34.92				38.22
20	31.75	38.10				41.94
22	34.92	41.28				45.11
24	38.10	44.45	16.71	22.22	22.22	48.18



Ordering Information (MIL Part Number)



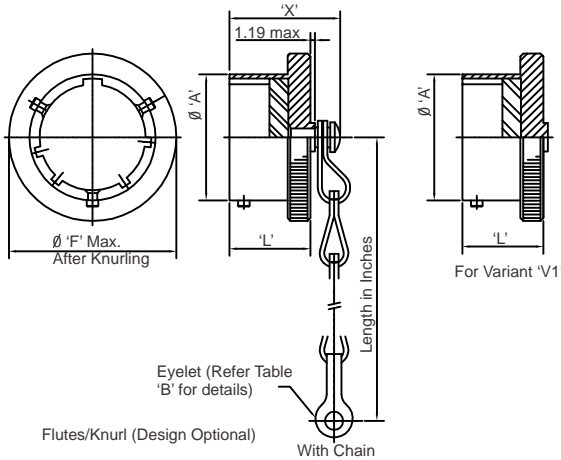
Note: For non. std. long "L" Contact factory

All Dimensions are in mm

Shell Size	H +12.70/-6.35	ϕK MAX.	L Max.	ϕN MIN	ϕQ MIN	X Max.
08	76.20	20.62	14.27	14.68	18.64	21.44
10		25.40		17.86	21.82	
12		30.18		22.63	25.40	
14		36.67		25.81	28.58	
16		39.67		28.98	31.75	
18		42.88		32.16	34.92	
20		46.02		35.33	38.10	
22	101.60	49.23	15.29	38.51	41.28	
24		52.37		41.68	44.45	22.22

All Dimensions for reference only

Metal Dust Cap Assembly For MIL 26482 Plug (08 to 24 Size)



All Dimensions are in MM

Shell Size	ØA REF.	Max. Overall	L. Max. Length	X Max. Overall	Ø For H/D, D/CAP +0.00/-0.08
08	12.01	18.26	14.27	19.84	22.10
10	14.99	21.44			24.86
12	19.05	25.40			29.24
14	22.22	28.58			32.41
16	25.40	31.75			35.58
18	28.58	34.92	15.88	21.44	38.22
20	31.75	38.10			41.94
22	34.92	41.28			45.11
24	38.10	44.45			48.18

Table B

Dash No.	INNER DIA ±0.30
00	NO EYELET
01	3.60
02	4.60
03	4.90
04	5.00
05	4.20
06	3.20
07	5.50
09	4.00

Table C

DASH NO.	Ø 'X' ±0.40
50	10.80
52	12.30
54	16.30
56	19.10
58	22.60
60	25.80
62	27.80
64	28.70
66	31.80
68	34.30
70	35.30
72	37.70
74	41.30
76	44.50
78	47.60
80	50.30
82	52.30
84	56.80
86	58.70
88	62.90
90	67.40
92	71.40
94	77.30

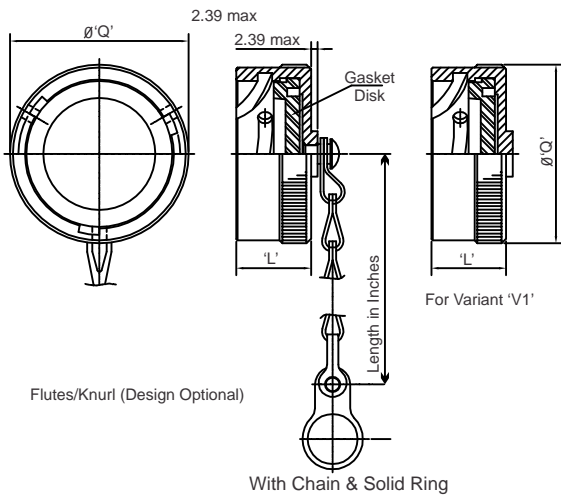
Table D

DASH NO.	Ø 'Y' ±0.40
08	11.90
10	15.10
12	18.20
13	19.40
14	21.40
15	22.60
16	24.60
17	25.80
18	27.80
19	29.00
20	30.60
21	32.10
22	34.10
23	36.90
24	37.70
25	40.10
27	41.70
28	42.80
29	44.80
30	48.00
31	49.60
32	50.00
33	52.80
35	54.40
36	55.50
40	61.10
44	67.50
48	77.00
118	7.90

Table E

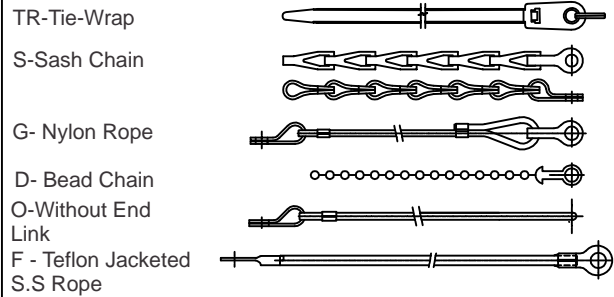
DASH NO.	Ø 'Z' ±0.40
095	7.90
100	9.90
101	13.10
102	14.80
103	16.30
104	18.00
105	19.50
106	22.20
107	25.80
108	29.00
109	32.20
110	35.30
111	38.60
112	41.70
113	44.90
114	48.00
115	52.80
116	61.10
117	63.80
205	20.00
206	23.00
207	26.00
208	30.60
209	33.30
210	36.50
211	39.00
213	46.00
214	49.20
308	30.20

Metal Dust Cap Assembly For MIL 26482 Receptacle (08 to 24 Size)



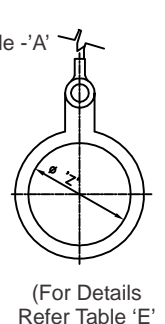
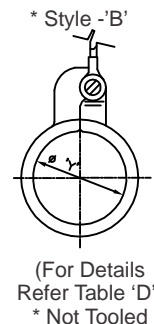
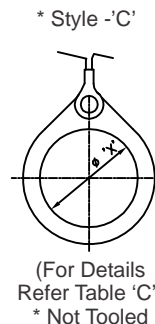
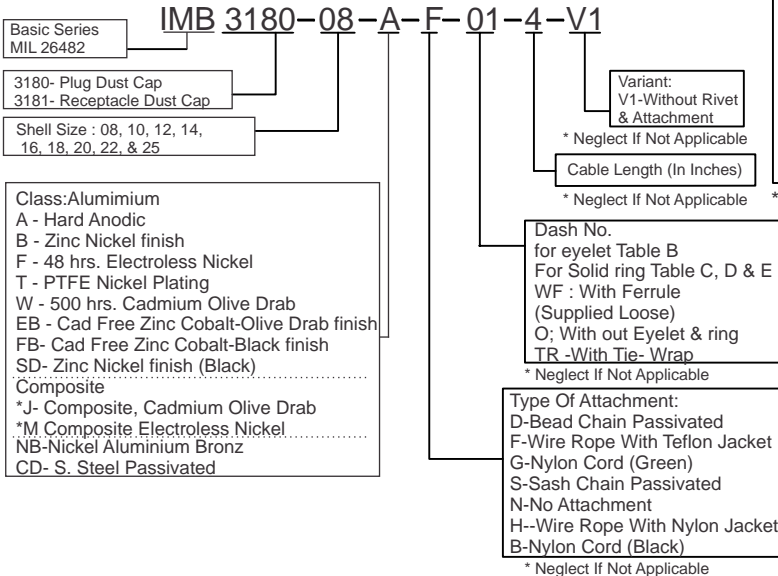
SHELL SIZE	L MAX.	Ø N MIN.	Ø O MAX.	X MAX.
08	14.27	14.68	18.64	21.44
10		17.86	21.82	
12		22.63	25.40	
14		25.81	28.58	
16		28.98	31.75	
18	32.16	34.92	15.88	21.44
20	35.33	38.10		
22	38.51	41.28		
24	41.68	44.45		

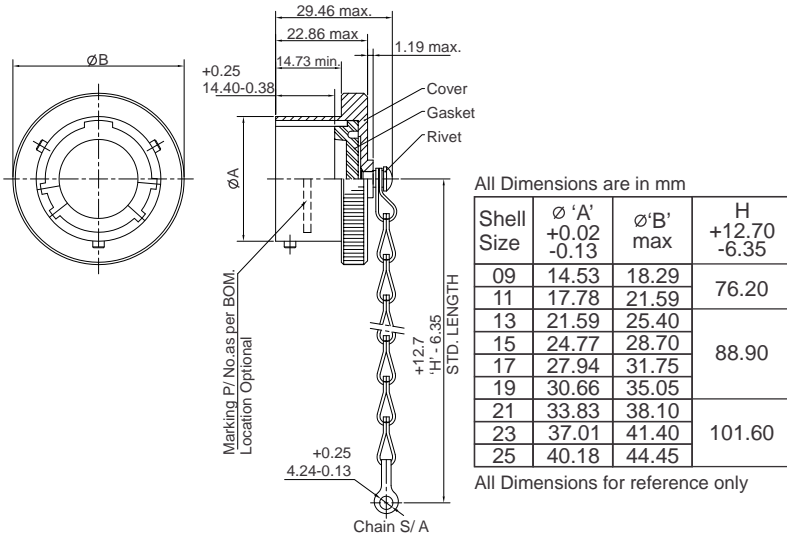
Type Of Attachment:



* Consult Factory For Availability

Ordering Information





All Dimensions are in mm

Shell Size	∅ 'A' +0.02 -0.13	∅ 'B' max	H +12.70 -6.35
09	14.53	18.29	76.20
11	17.78	21.59	
13	21.59	25.40	88.90
15	24.77	28.70	
17	27.94	31.75	
19	30.66	35.05	
21	33.83	38.10	101.60
23	37.01	41.40	
25	40.18	44.45	

All Dimensions for reference only

Ordering Information

JANMS27501 B 11 C L

Designates Plug Dust Cover

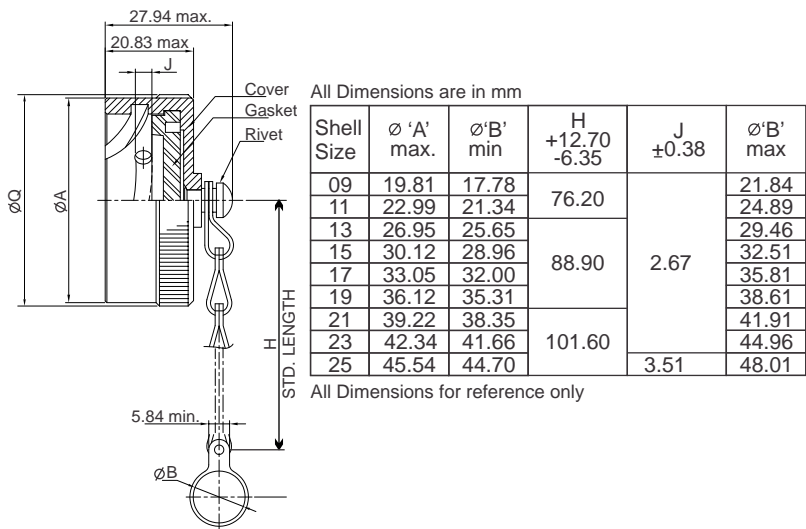
Shell Size: 09, 11, 13, 15, 17, 19, 21, 23 & 25

Class:
 B-Cadmium plate olive drab finish
 C-Hard Anodize black finish
 F-Electroless nickel finish
 Z- Black Zinc Nickel finish

Style: C-With chain
 A- Without chain

Length
 L- 127.0 + 12.7/-6.35 chain/Rope in lieu of std. length.
 Leave blank for std. length. 'H'

Note: For non-standard long 'L' contact factory.



All Dimensions are in mm

Shell Size	∅ 'A' max.	∅ 'B' min	H +12.70 -6.35	J ±0.38	∅ 'B' max
09	19.81	17.78	76.20	2.67	21.84
11	22.99	21.34			24.89
13	26.95	25.65	29.46		
15	30.12	28.96	32.51		
17	33.05	32.00	35.81		
19	36.12	35.31	38.61		
21	39.22	38.35	101.60	41.91	
23	42.34	41.66		44.96	
25	45.54	44.70		48.01	

All Dimensions for reference only

Ordering Information (MIL Part Number)

JANMS27502 B 11 C L

Designates Receptacle Dust Cover

Shell Size: 09, 11, 13, 15, 17, 19, 21, 23 & 25

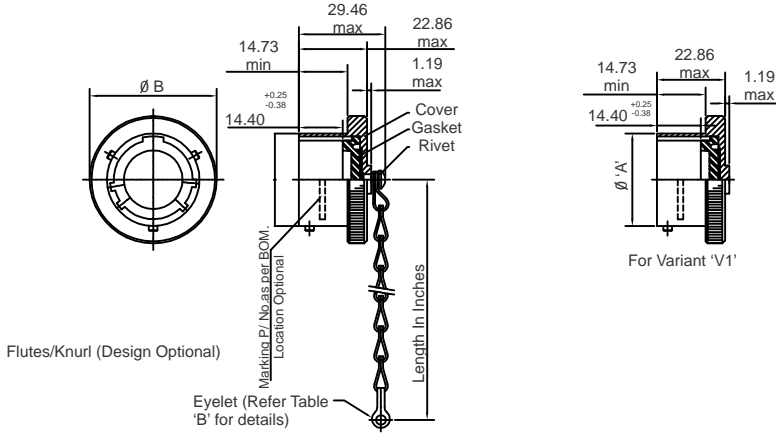
Class:
 B-Cadmium plate olive drab finish
 C-Hard Anodize black finish
 F-Electroless Nickel finish
 Z- Black Zinc Nickel finish

Style: C-With chain
 A- Without chain

Length
 L- 127.0 + 12.7/-6.35 chain/Rope in lieu of std. length.
 Leave blank for std. length. 'H'

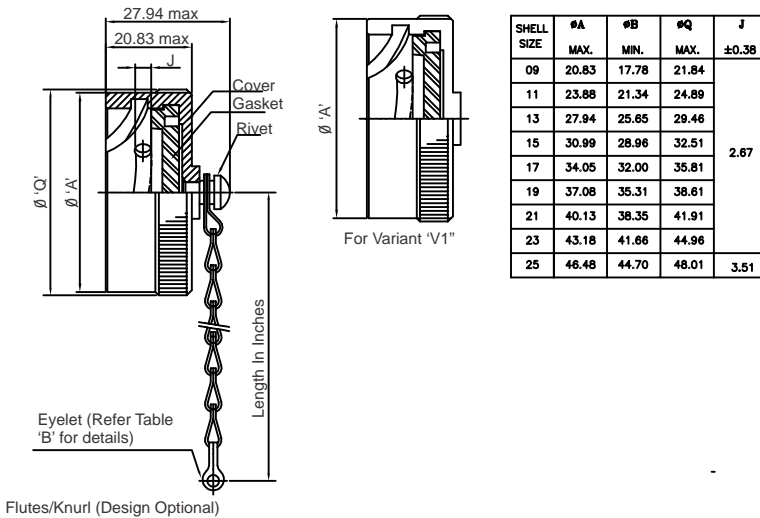
Note: For non-standard long 'L' contact factory.

Metal Dust Cap Assembly For D38999 Series-1 Plug Connector (09 To 25 Size)



SHELL SIZE	ØA +0.02 -0.13	ØB MAX.
09	14.53	20.83
11	17.78	23.88
13	21.59	27.18
15	24.77	30.23
17	27.94	33.53
19	30.66	36.58
21	33.83	39.88
23	37.01	42.93
25	40.18	46.23

Metal Dust Cap Assembly For D38999 Series-1 Receptacle Connector (09 To 25 Size)



SHELL SIZE	ØA MAX.	ØB MIN.	ØQ MAX.	J ±0.38	
09	20.83	17.78	21.84	2.67	
11	23.88	21.34	24.89		
13	27.94	25.65	29.46		
15	30.99	28.96	32.51		
17	34.05	32.00	35.81		
19	37.08	35.31	38.61		
21	40.13	38.35	41.91		
23	43.18	41.66	44.96		
25	46.48	44.70	48.01		3.51

Table B

Dash No	INNER DIA ±0.30
00	NO EYELET
01	3.60
02	4.60
03	4.90
04	5.00
05	4.20
06	3.20
07	5.50
09	4.00

Table C

DASH NO.	Ø 'X' ±0.40
50	10.80
52	12.30
54	16.30
56	19.10
58	22.60
60	25.80
62	27.80
64	28.70
66	31.80
68	34.30
70	35.30
72	37.70
74	41.30
76	44.50
78	47.60
80	50.30
82	52.30
84	56.80
86	58.70
88	62.90
90	67.40
92	71.40
94	77.30

Table D

DASH NO.	Ø 'Y' ±0.40
08	11.90
10	15.10
12	18.20
13	19.40
14	21.40
15	22.60
16	24.60
17	25.80
18	27.80
19	29.00
20	30.60
21	32.10
22	34.10
23	36.90
24	37.70
25	40.10
27	41.70
28	42.80
29	44.80
30	48.00
31	49.60
32	50.00
33	52.80
35	54.40
36	55.50
40	61.10
44	67.50
48	77.00
118	7.90

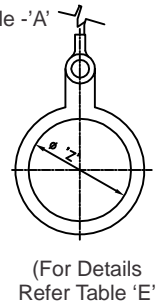
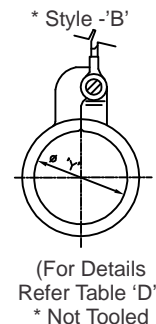
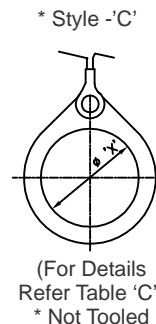
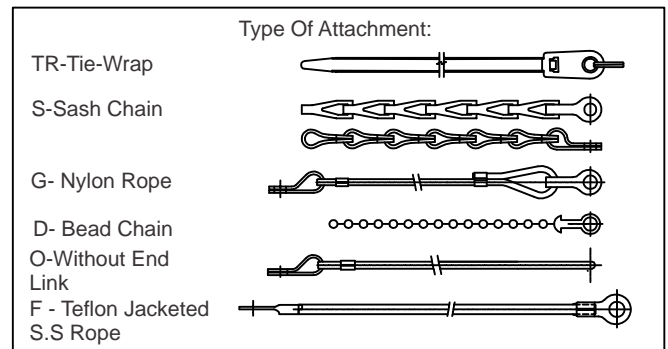
Table E

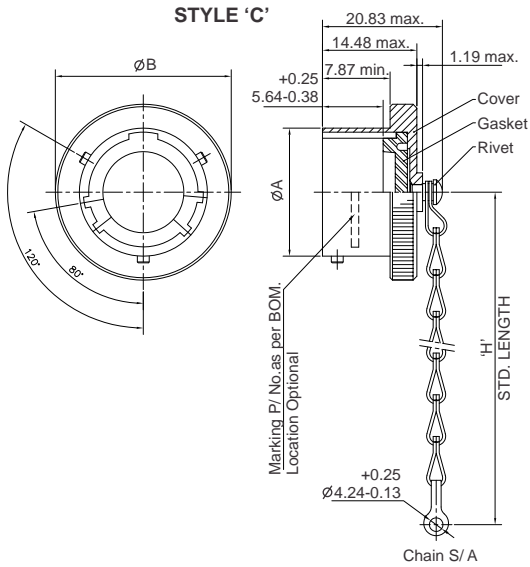
DASH NO.	Ø 'Z' ±0.40
095	7.90
100	9.90
101	13.10
102	14.80
103	16.30
104	18.00
105	19.50
106	22.20
107	25.80
108	29.00
109	32.20
110	35.30
111	38.60
112	41.70
113	44.90
114	48.00
115	52.80
116	61.10
117	63.80
205	20.00
206	23.00
207	26.00
208	30.60
209	33.30
210	36.50
211	39.00
213	46.00
214	49.20
308	30.20

ORDERING INFORMATION

ILJT 27501-09-A-D-01-4-V1

- Basic Series D38999 Series
- 27501- Plug Dust Cap
27502- Receptacle Dust Cap
- Shell Size : 09, 11, 13, 15, 17, 19, 21, 23, & 25
- Class: Aluminum
A - Hard Anodic
B - Zinc Nickel finish
F - 48 hrs. Electroless Nickel
T - PTFE Nickel Plating
W - 500 hrs. Cadmium Olive Drab
EB - Cad Free Zinc Cobalt-Olive Drab finish
FB- Cad Free Zinc Cobalt-Black finish
SD- Zinc Nickel finish (Black) Composite
- *J- Composite, Cadmium Olive Drab
*M Composite Electroless Nickel
NB-Nickel Aluminium Bronz
CD- S. Steel Passivated
- Variant: V1-Without Rivet & Attachment
* Neglect If Not Applicable
- Cable Length (In Inches)
* Neglect If Not Applicable
- Dash No. for eyelet Table B for Solid ring Table C, D & E
WF : With Ferrule (Supplied Loose)
O; With out Eyelet & ring
TR -With Tie- Wrap
* Neglect If Not Applicable
- Type Of Attachment:
D-Bead Chain Passivated
F-Wire Rope With Teflon Jacket
G-Nylon Cord (Green)
S-Sash Chain Passivated
N-No Attachment
H--Wire Rope With Nylon Jacket
B-Nylon Cord (Black)
* Neglect If Not Applicable





All Dimensions are in mm

Shell Size	Ø 'A' +0.02 -0.13	Ø 'B' max OVERALL	H +12.70 -6.35
08	12.01	18.29	76.20
10	14.99	21.59	
12	19.05	25.40	
14	22.22	28.70	
16	25.40	31.75	88.90
18	28.58	35.05	
20	31.75	38.10	
22	34.92	41.40	101.60
24	38.10	44.45	

All Dimensions for reference only

Ordering Information (MIL Part Number)

JANMS27510 A 08 C L

Designates Plug Dust Cover

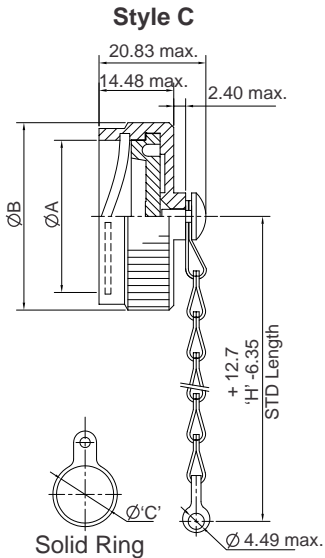
Shell Size: 08, 10, 12, 14, 16, 18, 20, 22 & 24

Class:
 B-Cadmium plate olive drab finish
 C-Hard Anodize black finish
 F-Electroless Nickel finish
 Z- Black Zinc Nickel Finish

Style: C-With chain
 A- Without chain

Length
 L- 127.0 + 12.7/-6.35 chain/Rope in lieu of std. length.
 Leave blank for std. length. 'H'

Note: For non-standard long 'L' contact factory.



Ordering Information (MIL Part Number)

JANMS27511 A 08 C L

Designates Receptacle Dust Cover

Class:
 B-Cadmium plate olive drab finish
 C-Hard Anodize black finish
 F-Electroless Nickel finish
 Z- Black Zinc Nickel finish

Shell Size: 08, 10, 12, 14, 16, 18, 20, 22 & 24

Style:
 C-With chain
 A- Without chain
 N-With chain & ring
 R-S.S. Rope hole 3.28 max. (08 to 22 size)
 3.68 max. (24 size)

Length
 L- 127.0 + 12.7/-6.35 chain/Rope in lieu of std. length.
 Leave blank for std. length. 'H'

Note: For non-standard long 'L' contact factory.

Note: For non-standard long 'L' contact factory.

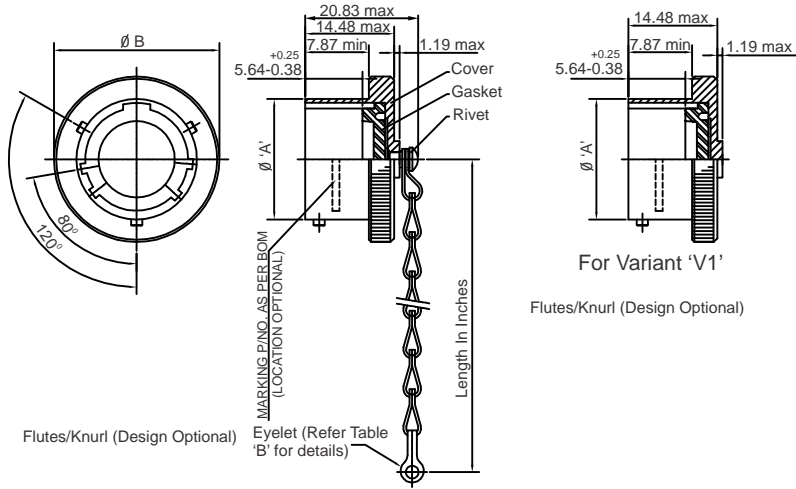
All Dimensions are in mm

Shell Size	Ø 'A' max.	Ø 'B' min	'C' max	H max.
08	16.00	19.05	22.61	76.20
10	19.23	21.82	25.65	
12	23.77	26.19	28.96	
14	27.28	29.36	32.0	88.90
16	29.77	32.54	35.31	
18	33.12	35.71	38.35	
20	36.45	38.89	41.66	101.60
22	39.62	41.68	44.70	
24	42.88	44.86	48.0	

All Dimensions for reference only

Flutes/Knurl (Design Optional)

Metal Dust Cap Assembly For D38999 Series-II Plug Connector (09 To 25 Size)



SHELL SIZE	#A +0.02 -0.13	#B max OVERALL
08	12.01	18.29
10	14.99	21.59
12	19.05	25.40
14	22.22	28.70
16	25.40	31.75
18	28.58	35.05
20	31.75	38.10
22	34.92	41.40
24	38.10	44.45

Metal Dust Cap Assembly For D38999 Series-II Receptacle Connector (09 To 25 Size)

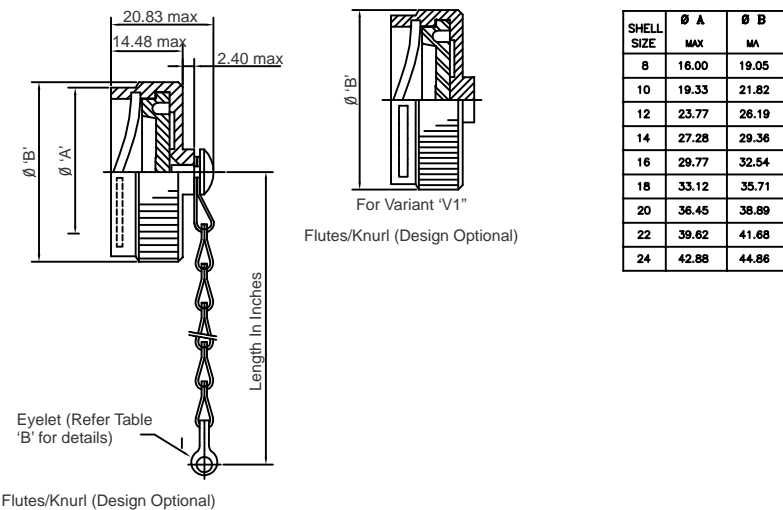


Table B

Dash No	Inner DIA ±0.30
00	NO EYELET
01	3.60
02	4.60
03	4.90
04	5.00
05	4.20
06	3.20
07	5.50
09	4.00

Table C

DASH NO.	Ø 'X' ±0.40
50	10.80
52	12.30
54	16.30
56	19.10
58	22.60
60	25.80
62	27.80
64	28.70
66	31.80
68	34.30
70	35.30
72	37.70
74	41.30
76	44.50
78	47.60
80	50.30
82	52.30
84	56.80
86	58.70
88	62.90
90	67.40
92	71.40
94	77.30

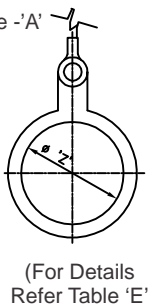
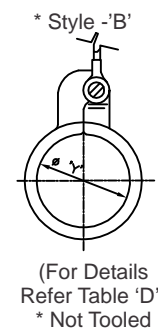
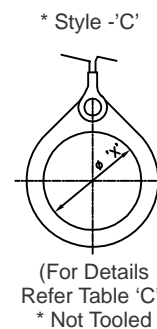
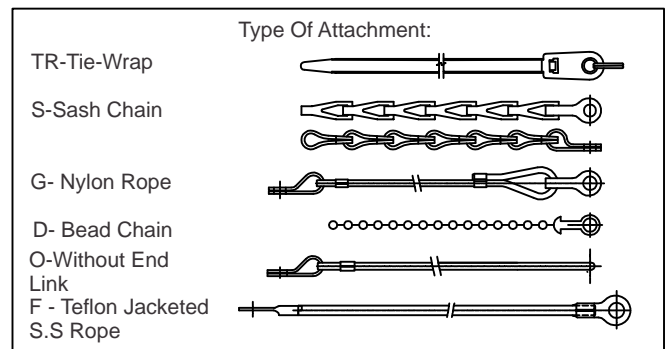
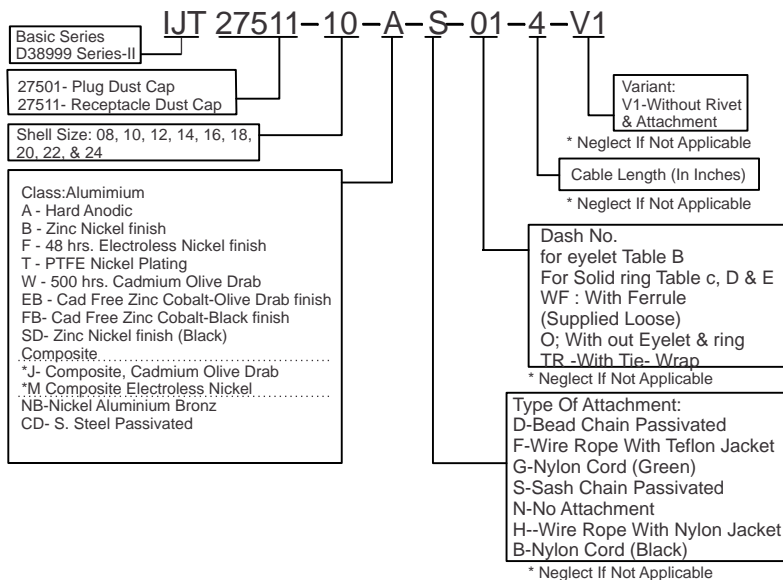
Table D

DASH NO.	Ø 'Y' ±0.40
08	11.90
10	15.10
12	18.20
13	19.40
14	21.40
15	22.60
16	24.60
17	25.80
18	27.80
19	29.00
20	30.60
21	32.10
22	34.10
23	36.90
24	37.70
25	40.10
27	41.70
28	42.80
29	44.80
30	48.00
31	49.60
32	50.00
33	52.80
35	54.40
36	55.50
40	61.10
44	67.50
48	77.00
118	7.90

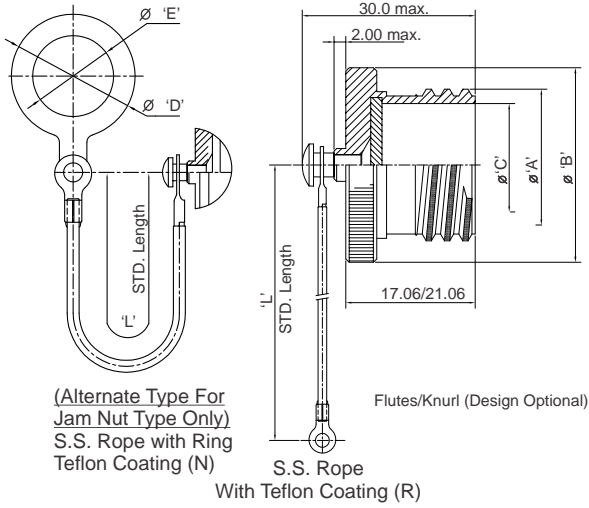
Table E

DASH NO.	Ø 'Z' ±0.40
095	7.90
100	9.90
101	13.10
102	14.80
103	16.30
104	18.00
105	19.50
106	22.20
107	25.80
108	29.00
109	32.20
110	35.30
111	38.60
112	41.70
113	44.90
114	48.00
115	52.80
116	61.10
117	63.80
205	20.00
206	23.00
207	26.00
208	30.60
209	33.30
210	36.50
211	39.00
213	46.00
214	49.20
308	30.20

ORDERING INFORMATION



Ordering Information (MIL Part Number)



JAND38999/32 W 15 R

Designates Plug Dust Cover

Class: F - Electroless nikel finish.
W- Aluminium, 500 hrs cadmium olive drab.
Z- Black Zinc Nickel finish

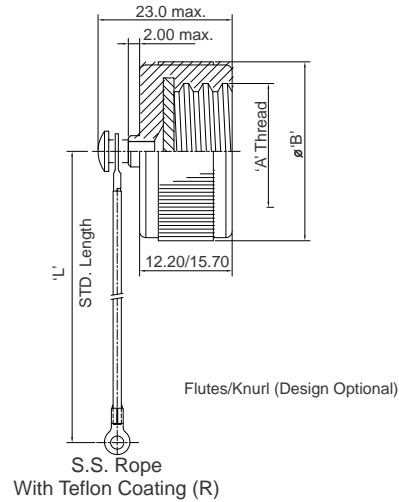
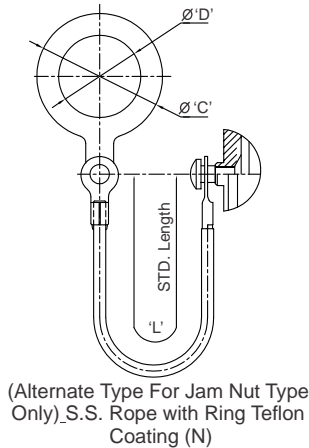
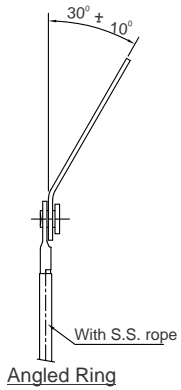
Shell Size : 09, 11, 13, 15, 17, 19, 21, 23, & 25

Style: R - Rope
N - With rope & ring.

All Dimensions are in mm

Shell Size	'A' Thread -2A-0.1P -0.3L-TS	ØB Max	'C' +0.0 -0.15	ØD Max	ØE Min	'L' + 13.0 -7.0
09	0.625"	23.0	12.50	24.0	13.0	127
11	0.750"	26.0	15.75	27.0	18.0	
13	0.875"	31.0	19.53	30.0	20.0	
15	1.000"	33.0	22.71	31.0	23.0	
17	1.1875"	37.0	25.88	37.0	26.0	
19	1.250"	40.0	28.55	40.0	29.0	
21	1.375"	44.0	31.72	44.0	32.0	
23	1.500"	46.0	34.80	45.0	34.0	
25	1.625"	50.0	38.07	49.0	39.0	

All Dimensions for reference only



Ordering Information (MIL Part Number)

JAND38999/33 W 15 R

Designates Receptacle Dust Cover

Class:-
F - Electroless nikel finish.
W- Aluminium, 500 hrs cadmium olive drab.
Z- Black Zinc Nickel finish

Shell Size : 09, 11, 13, 15, 17, 19, 21, 23, & 25

Style-
R - Rope
N - With rope & ring.

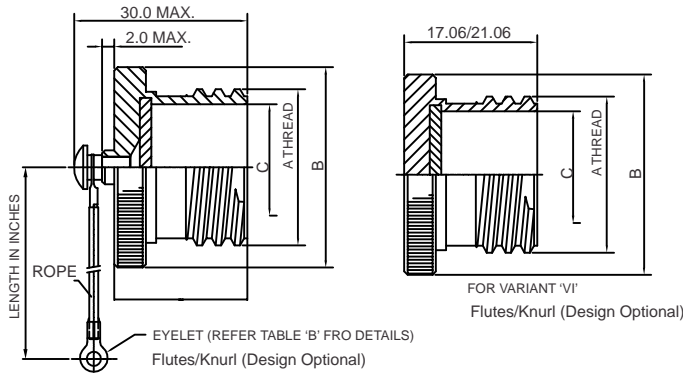
Note: For non. std. long "L" Contact factory

All Dimensions are in mm

Shell Size	'A' Thread -2A-0.1P -0.3L-TS	ØB Max	'C' Max	ØD Min	'L' + 13.0 -7.0
09	0.625"	23.0	27.0	17.64	127
11	0.750"	28.0	32.0	21.97	
13	0.875"	31.0	37.0	25.15	
15	1.000"	32.0	40.0	29.92	
17	1.1875"	37.0	44.0	32.0	
19	1.250"	39.0	46.0	36.27	
21	1.375"	42.0	49.0	38.25	
23	1.500"	45.0	54.0	42.62	
25	1.625"	49.0	56.0	44.45	

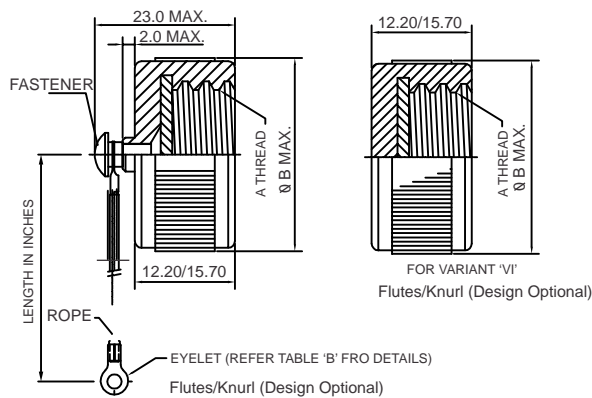
All Dimensions for reference only

D38999 SERIES III PLUG DUST CAP (ITV 32)



SHELL SIZE	'A' THREAD-2A -0.1P-0.3L-TS	ØB max	'C' +0.00 -0.15
09	0.625"	23.0	12.50
11	0.750"	26.0	15.75
13	0.875"	31.0	19.53
15	1.000"	33.0	22.71
17	1.1875"	37.0	25.88
19	1.250"	40.0	28.55
21	1.375"	44.0	31.72
23	1.500"	46.0	34.90
25	1.625"	50.0	38.07

38999 SERIES III RECEPTACLE DUST CAP (ITV 33)



SHELL SIZE	'A'-0.1P-0.3L T.S THREAD - 2B	'B' max dia
09	0.625"	23.0
11	0.750"	28.0
13	0.875"	31.0
15	1.000"	32.0
17	1.1875"	37.0
19	1.250"	39.0
21	1.375"	42.0
23	1.500"	45.0
25	1.625"	49.0

Table B

Dash No	INNER DIA ±0.30
00	NO EYELET
01	3.60
02	4.60
03	4.90
04	5.00
05	4.20
06	3.20
07	5.50
09	4.00

Table C

DASH NO.	Ø 'X' ±0.40
50	10.80
52	12.30
54	16.30
56	19.10
58	22.60
60	25.80
62	27.80
64	28.70
66	31.80
68	34.30
70	35.30
72	37.70
74	41.30
76	44.50
78	47.60
80	50.30
82	52.30
84	56.80
86	58.70
88	62.90
90	67.40
92	71.40
94	77.30

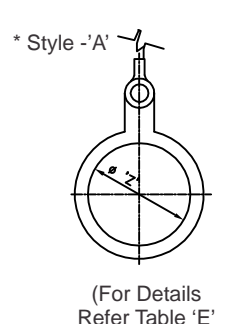
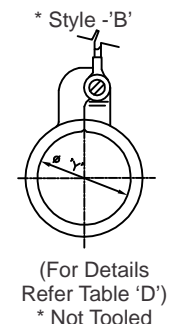
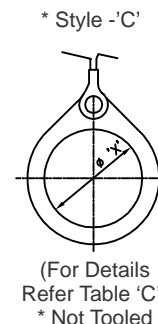
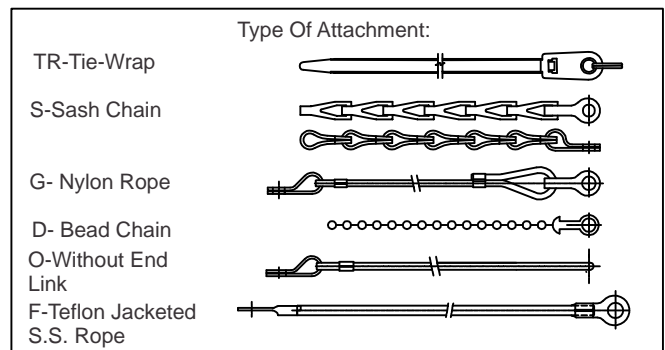
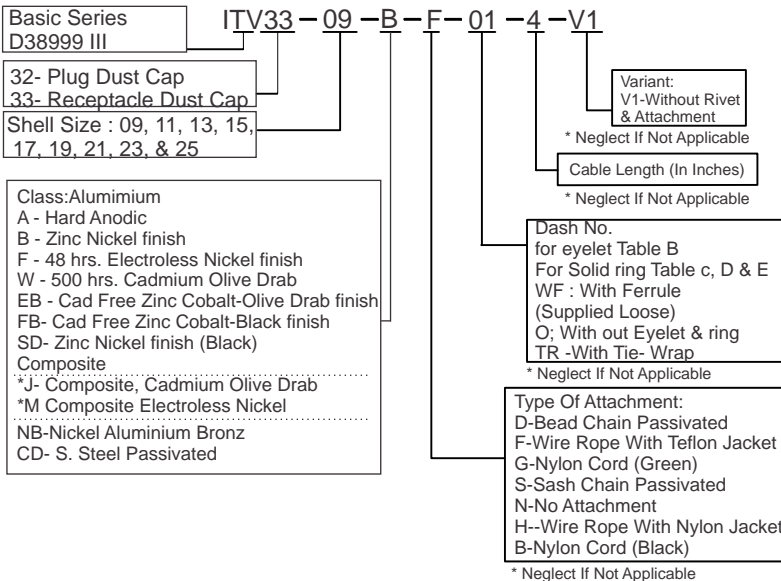
Table D

DASH NO.	Ø 'Y' ±0.40
08	11.90
10	15.10
12	18.20
13	19.40
14	21.40
15	22.60
16	24.60
17	25.80
18	27.80
19	29.00
20	30.60
21	32.10
22	34.10
23	36.90
24	37.70
25	40.10
27	41.70
28	42.80
29	44.80
30	48.00
31	49.60
32	50.00
33	52.80
35	54.40
36	55.50
40	61.10
44	67.50
48	77.00
118	7.90

Table E

DASH NO.	Ø 'Z' ±0.40
095	7.90
100	9.90
101	13.10
102	14.80
103	16.30
104	18.00
105	19.50
106	22.20
107	25.80
108	29.00
109	32.20
110	35.30
111	38.60
112	41.70
113	44.90
114	48.00
115	52.80
116	61.10
117	63.80
205	20.00
206	23.00
207	26.00
208	30.60
209	33.30
210	36.50
211	39.00
213	46.00
214	49.20
308	30.20

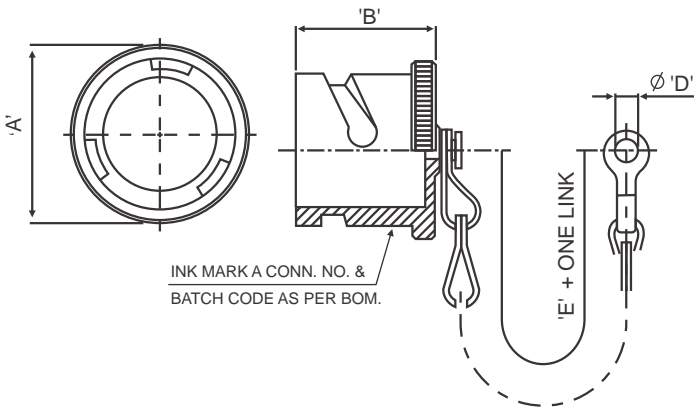
ORDERING INFORMATION



Other Accessories Protective Cap for 97B Series

97B-25042

For Plugs



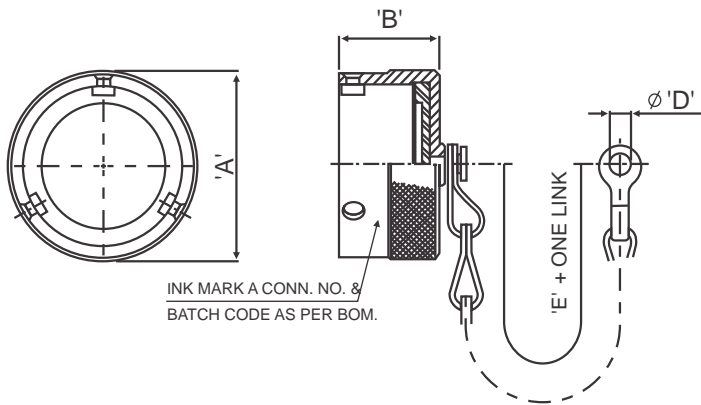
All dimensions are in mm

PART NUMBER	SHELL SIZE	'A' MAX.	'B' MAX.	'D' + 0.60/-0	'E' MIN.
97 B - 25042 - 10SL	10 SL	21.0	23.50	4.30	90.0
97 B - 25042 - 14S	14 S	27.50			100.0
97 B - 25042 - 16S	16 S	30.0			115.0
97 B - 25042 - 16	16		31.50	4.70	130.0
97 B - 25042 - 18	18	33.50			
97 B - 25042 - 20	20	37.0			
97 B - 25042 - 22	22	40.0			
97 B - 25042 - 24	24	43.0			
97 B - 25042 - 28	28	49.50			
97 B - 25042 - 32	32	56.0			
97 B - 25042 - 36	36	62.50	5.50	190.0	
97 B - 25042 - 40	40	68.50			

Protective cap For 97B series

97B-25043

For Receptacle



All dimensions are in mm

PART NUMBER	SHELL SIZE	'A' MAX.	'B' ± 0.20	'D' + 0.60/-0	'E' MIN.
97 B - 25043 - 10SL	10 SL	23.0	16.0	4.30	90.0
97 B - 25043 - 14S	14 S	30.0			100.0
97 B - 25043 - 16S	16 S	32.50			115.0
97 B - 25043 - 16	16		20.70	5.50	160.0
97 B - 25043 - 18	18	37.0			
97 B - 25043 - 20	20	40.50			
97 B - 25043 - 22	22	43.50			
97 B - 25043 - 24	24	47.0			
97 B - 25043 - 28	28	54.0			
97 B - 25043 - 32	32	60.50			
97 B - 25043 - 36	36	67.0			
97 B - 25043 - 40	40	73.0			

Note :- Please add 07 suffix for bigger end link. Applicable for Jam Nut

97B-25043-XX-624-LXX-V1

97B- Reverse Bayonet caps
MS- Threaded Caps

25042 - Caps for plug
25043 - Caps for receptacle

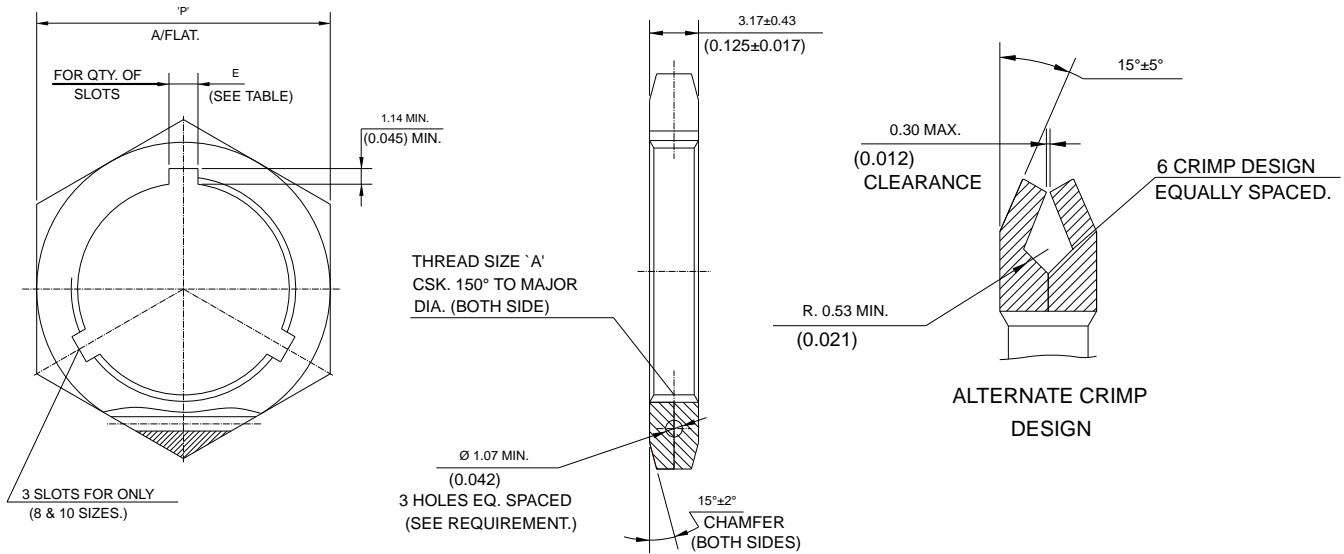
Shell Size 10sl To 36

Cap w/o chain & rivet hole

For non - std length specified in cm.

A23 Electroless Nickel Finish
624 : Zn CO Black
622 : Zn Co Green
610 : Hard Anodize finish
(Standard supplied Cadmium green colour)

P Panel Nut (QPL) D38999 Series III & IV



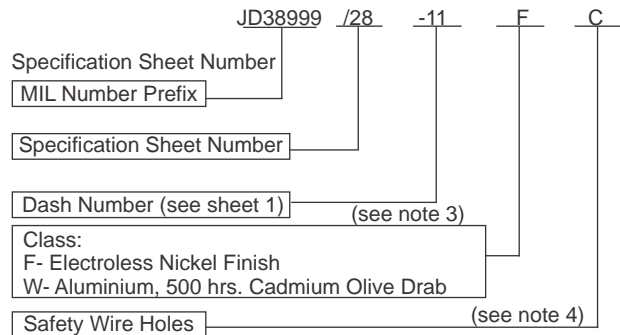
Dimensions

Dash No.	Shell size		'A' Thread Size	Modified Minor Dia	P Hex.
	Ser-III	Ser-IV			
1	09	---	M17X1-6H	16.04/16.15	24.0 21.82
2	11	---	M20X1-6H	19.07/19.15	27.0 24.99
3	13	11	M25X1-6H	---	32.0 29.77
4	15	13	M28X1-6H	---	36.0 32.91
5	---	15	M31X1-6H	---	41.0 39.26
6	17	---	M32X1-6H	---	37.0 36.12
7	---	17	M34X1-6H	---	41.0 39.25
8	19	---	M35X1-6H	---	41.0 39.25
9	21	19	M38X1-6H	---	46.0 42.47
10	23	21	M41X1-6H	---	50.0 45.61
11	25	23	M44X1-6H	---	51.23 49.25
12	---	25	M47X1-6H	---	55.0 53.54

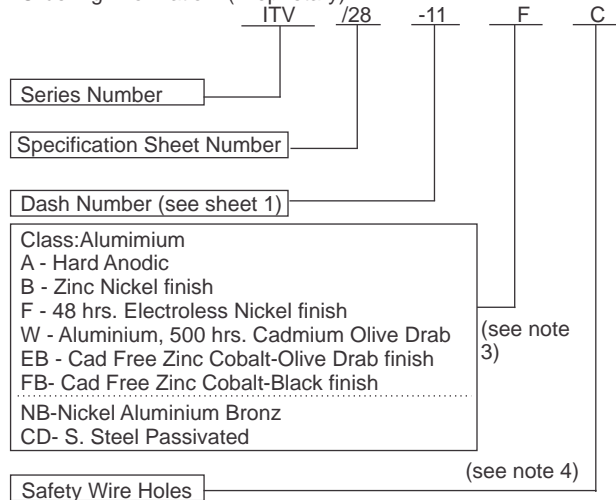
Requirements:

Material - Panel Nut : Machined Aluminium Alloy
Used in Connector : MIL-DTL-38999, Series III, & IV (Jam Nut Receptacle)

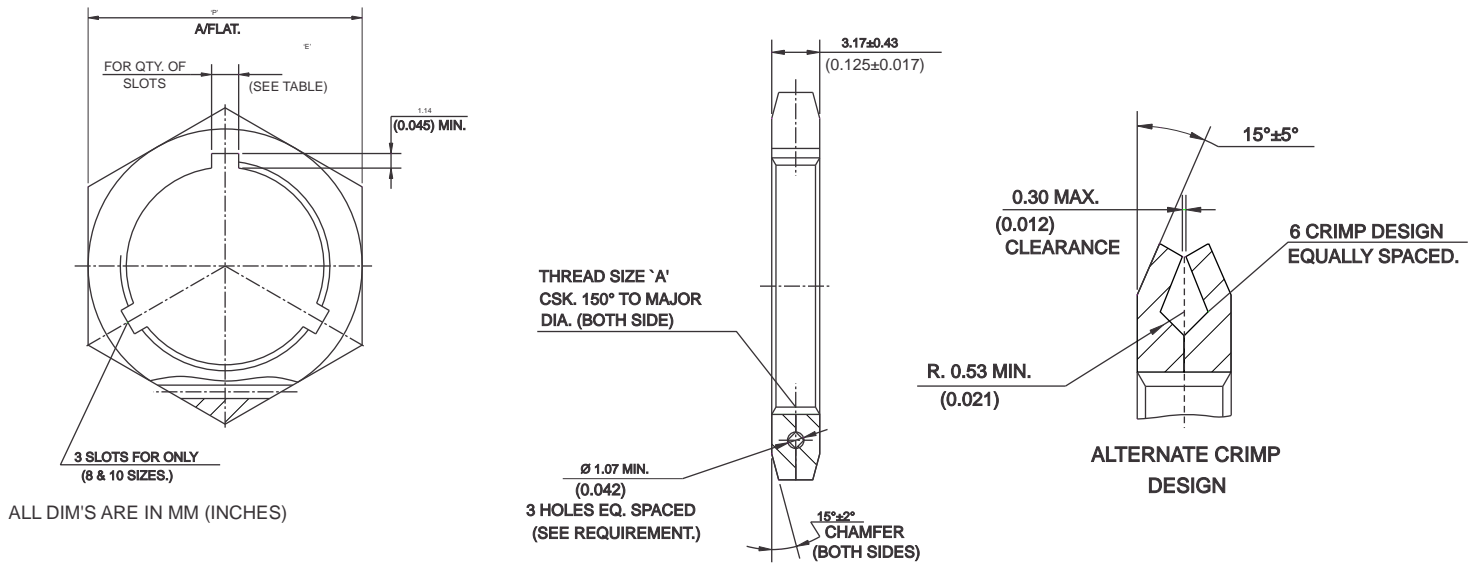
Ordering Information: (QPL)



Ordering Information: (Proprietary)



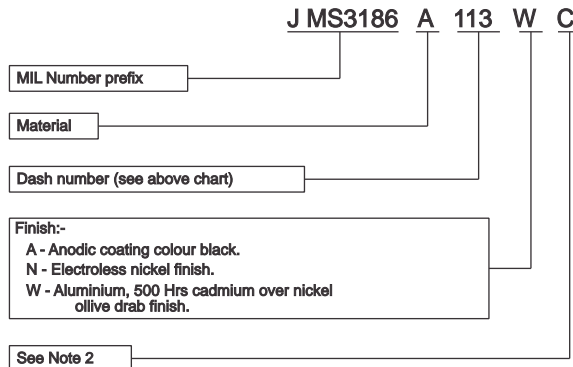
P anel Nut (QPL) D38999 Series I & MIL 26482



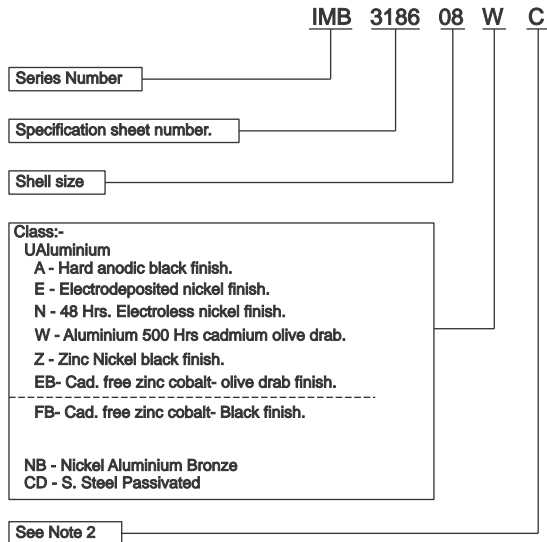
(MILITARY PART NUMBER.)

Dash Number	For conn. Shell size (ref.)			UDIMENSION'S			
	MIL-DTL -26482	MIL-DTL -38999 Ser-I	MIL-DTL -26482 Ser-II	'A' Thread Size. -2B	'E' MAX.	'P' ±0.43 ±(0.017)	'S' MIN. NO. OF SLOTS
102	08	--	--	0.5625-24UNEF	3.43 (0.135)	19.05 (0.750)	3
106	10	09	--	0.6875-24UNEF		22.22 (0.750)	
108	--	11	--	0.8125-20UNEF		25.40 (1.000)	
109	12	--	08	0.875-20UNEF		26.97 (1.062)	
111	14	13	10	1.000-20UNEF		30.17 (1.188)	
113	16	15	12	1.125-18UNEF		33.32 (1.312)	
116	18	17	14	1.250-18UNEF		36.52 (1.438)	
117	20	19	16	1.375-18UNEF	4.88 (0.192)	39.67 (1.562)	1
120	22	21	18	1.500-18UNEF		42.87 (1.688)	
121	24	23	20	1.625-18UNEF		46.02 (1.812)	
122	--	25	22	1.750-18UNEF		50.80 (2.000)	
123	--	--	24	1.875-16UN		53.95 (2.125)	

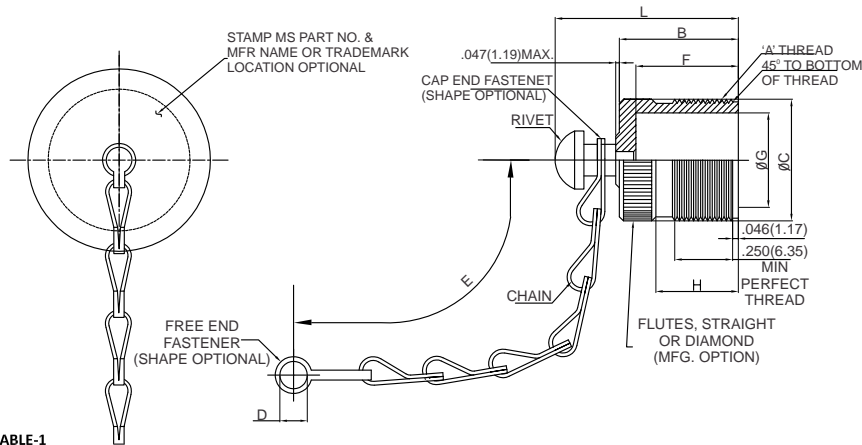
ORDERING INFORMATION:



ORDERING INFORMATION:



Plug Dust Cap (MS25042)

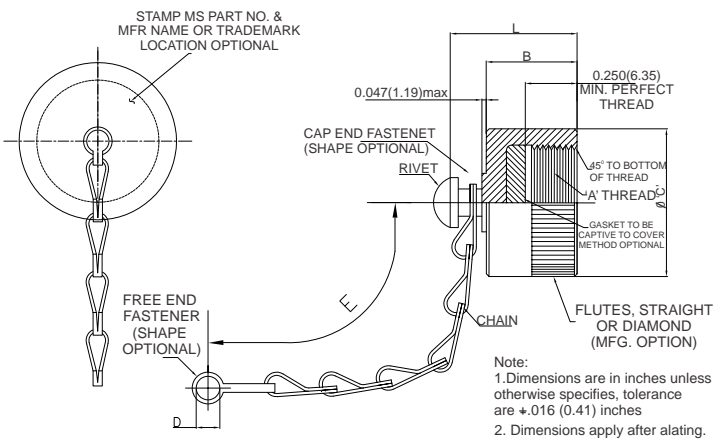


How To Order			
Military #	MS25042	-10	D
Amphenol #	A25042	-10	D
Basic No.	Dash No.	Finish	
	Refer Table-1	Refer Table-2	

TABLE-1

DASH NO (-)	COUPLING SHELL SIZE (REF)	A THREAD (PRE AS8879)	'B' MAX	'C' MAX DIA	ØD +.010 (0.27) - .005 (0.12)	E ±1 LINK	F	G DIA	H MIN.	L MAX	SHELL SIZE RANGE (REF)
8	8S	.500-28 UNEF-2A	.656 (16.7)	.562 (14.3)	.156 (4.0)	4.000 (101.6)	.562 (14.3)	.375 (9.5)	.380 (9.7)	.969 (24.6)	SMALL
10	10S,10SL	.625-24 UNEF-2A	.687 (17.4)	.469 (11.9)							
12	12,12SL	.750-20 UNEF-2A	.812 (20.6)	.562 (14.3)							
14	14,14SL	.875-20 UNEF-2A	.937 (23.8)	.688 (17.5)							
16	16,16SL	1.000-20 UNEF-2A	1.062 (27.0)	.812 (20.5)							
18	18	1.125-18 UNEF-2A	1.187 (30.1)	.938 (23.8)							
20	20	1.250-18 UNEF-2A	1.312 (33.3)	1.062 (27.0)							
22	22	1.375-18 UNEF-2A	1.437 (36.5)	1.188 (30.2)	.530 (13.5)	.750 (19.1)	1.312 (33.3)	.590 (15.0)	1.156 (29.4)	MEDIUM	
24	24	1.500-18 UNEF-2A	1.562 (39.7)	1.531 (38.9)							
28	28	1.750-18 UNS-2A	1.812 (46.0)	1.781 (45.2)							
32	32	2.000-18 NS-2A	2.062 (52.4)	2.000 (50.8)							
36	36	2.250-16 UN-2A	2.312 (58.7)	2.250 (57.2)							
40	40	2.500-16 UN-2A	2.562 (65.1)	2.500 (63.5)							
44	44	2.750-16 UN-2A	2.812 (71.4)	2.750 (69.9)							
48	48	3.000-16 UN-2A	3.062 (77.8)							LARGE	

Receptacle Dust Cap (MS 25043)



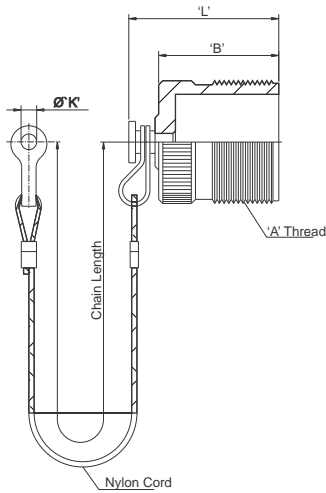
Note:
1. Dimensions are in inches unless otherwise specifies, tolerance are ± 0.016 (0.41) inches
2. Dimensions apply after plating.

Dash No (-)	Coupling Shell Size (REF)	A Thread (PRE AS8879)	B MAX	C MAX DIA	ØD +.010 (0.27) - .005 (0.12)	E ±1 Link	L MAX	SHELL SIZE RANGE (REF)
8	8S	.500-28 UNEF-2B	.469 (11.9)	.688 (17.5)	.140 (3.6)	4.000 (101.6)	.750 (19.1)	SMALL
10	10S,10SL	.625-24 UNEF-2B		.813 (20.7)				
12	12,12SL	.750-20 UNEF-2B		1.000 (25.4)				
14	14,14SL	.875-20 UNEF-2B		1.125 (28.6)				
16	16,16SL	1.000-20 UNEF-2B		1.188 (30.2)				
18	18	1.125-18 UNEF-2B		1.344 (34.1)				
20	20	1.250-18 UNEF-2B		1.469 (37.3)				
22	22	1.375-18 UNEF-2B	1.594 (40.5)	.171 (4.3)	5.000 (127.0)	.750 (19.1)	MEDIUM	
24	24	1.500-18 UNEF-2B	1.719 (43.7)					
28	28	1.750-18 UNS-2B	1.969 (50.0)					
32	32	2.000-18 NS-2B	2.219 (56.4)					
36	36	2.250-16 UN-2B	2.469 (62.7)					
40	40	2.500-16 UN-2B	2.718 (69.0)					
44	44	2.750-16 UN-2B	2.969 (75.4)					
48	48	3.000-16 UN-2B	3.188 (81.0)	.187 (4.7)	7.750 (196.9)	.812 (20.6)	LARGE	

Table-2 Finish

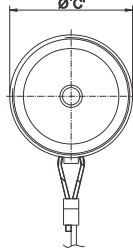
Finish Code	Finish Description
D	Cadmium Olive Drab Over Electroless Nickel
DA	Black Anodizer Per AMS-8625, Type II, Class 2

How To Order			
Military #	MS25043	-10	D
Amphenol #	A25043	-10	D
Basic No.	Dash No.	Finish	
	Refer Table-1	Refer Table-2	



Dash No.	'K'-DIA
01	0.140 (3.6)
02	0.182 (4.6)
03	0.191 (4.9)
04	0.197 (5.0)
05	0.167 (4.2)
06	0.125 (3.3)
07	0.216 (5.5)
09	0.156 (4.0)
00	NO EYELET

Table- II



25042:- Plug Dust Cap
Shell Size (TABLE-I)

Shell Size	'A' Thread	'B' Max.	'C' Max.	'L' Max.
10SL	5/8"-24NEF	16.67	17.44	24.61
12S/12	3/4"-20UNEF	21.44	20.63	29.36
14S	7/8"-20UNEF		23.79	
16S/16	1-20"UNEF		26.97	
18	1 1/8"-18NEF		30.14	
20	1 1/4"-18NEF		33.32	
22	1 3/8"-18NEF		36.49	
24	1 1/2"-18UNEF		39.67	
28	1 3/4"-18NS		46.02	
32	2-18"UNS		52.37	
36	2 1/4"-16UN	21.44	58.72	29.36

Table- I

IMS25042- 18- W- F- 01 -4

Length In Inches

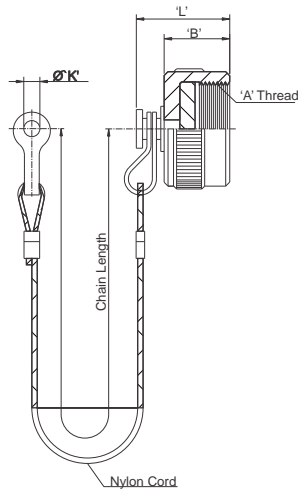
Dash No.
Ring or Eyelet
TABLE II, III, IV, V

Type Of Attachment
D-Bead Chain Passivated
F-Wire Rope With Teflon Jacket
G-Nylon Cord
GL-Nylon Cord With Lug End
S-Sash Chain Pasivated
N-No Attachment
H-Wire Rope With Nylon Jacket

Class

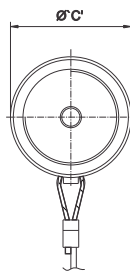
Aluminium

CB - Electroless Nickel
TN - PTFE Nickel Plating
W - Cadmium Olive Drab
EB - Cad.Free Zinc Cobolt-
Olive Drab Finish
FB - Cad. Free Zinc Cobolt- Black Finish



	'K'-DIA
01	3.60
02	4.60
03	4.90
04	5.00
05	4.20
06	3.30
07	5.50
09	4.00
00	NO EYELET

Table- II



25043:- Receptacle Dust Cap
Shell Size (TABLE-I)

Shell Size	'A' Thread	'B' Max.	'C' Max.	'L' Max.
10SL	5/8"-24NEF	11.91	20.70	19.05
12S/12	3/4"-20UNEF		25.40	
14S	7/8"-20UNEF		28.57	
16S/16	1-20"UNEF		30.17	
18	1 1/8"-18NEF		34.13	
20	1 1/4"-18NEF		37.31	
22	1 3/8"-18NEF		40.48	
24	1 1/2"-18UNEF		43.66	19.05
28	1 3/4"-18NS	13.48	50.00	20.62
32	2-18"UNS	13.48	56.36	20.62
36	2 1/4"-16UN	13.48	62.71	20.62

Table- I

IMS25043- 18- W- F- 01 -4

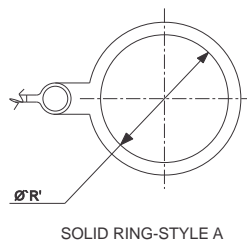
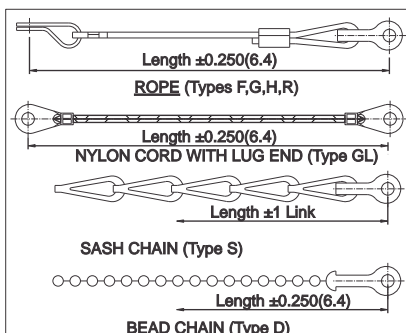
Length In Inches

Dash No.
Eyelet or Ring
TABLE II,III

Type Of Attachment
D-Bead Chain Passivated
F-Wire Rope With Teflon Jacket
G-Nylon Cord
GL-Nylon Cord With Lug End
S-Sash Chain Pasivated
N-No Attachment
H-Wire Rope With Nylon Jacket

Class Aluminium

A- Hard Anodic
B- Zinc Nickel Finish
F- 48 Hrs. Electroless Nickel
T- PTFE Nickel Plating
W - 500 Hrs. Cadmium Olive Drab
EB - Cad. Free Zinc Cobolt-
Olive Drab Finish
FB - Cad. Free Zinc Cobolt- Black Finish
SD- Zinc Nickel finish (Black)
Class Stainless Steel -Ss304
CD - Passivated



Dash No.	ØR ±0.4	Dash No.	ØR ±0.4
50	10.8	74	41.3
52	12.3	76	44.5
54	16.3	78	47.6
56	19.1	80	50.3
58	22.6	82	52.3
60	25.8	84	56.8
62	27.8	86	58.7
64	28.7	88	62.9
66	31.8	90	67.4
68	34.3	92	71.4
70	35.3	94	77.3
72	37.7		

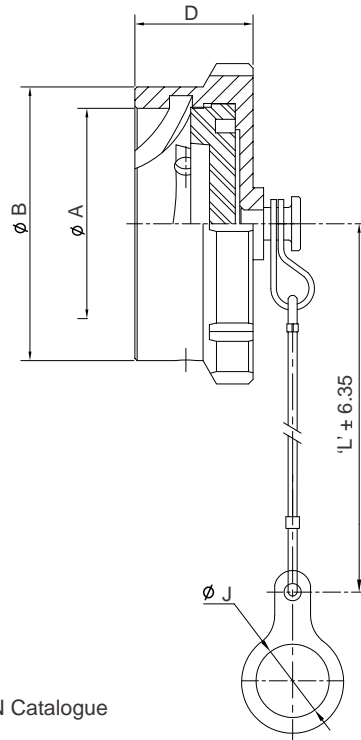
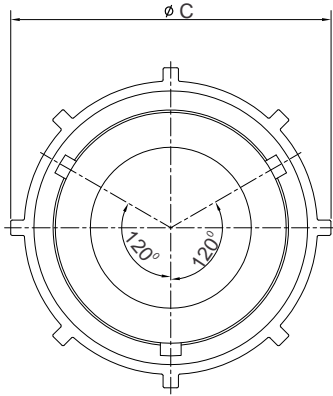
Table- V

Dash No.	ØR ±0.4	Dash No.	ØR ±0.4
08	11.9	24	37.7
10	15.1	25	40.1
12	18.2	27	41.7
13	19.4	28	42.8
14	21.4	29	44.8
15	22.6	30	48.0
16	24.6	31	49.6
17	25.8	32	50.0
18	27.8	33	52.8
19	29.0	35	54.4
20	30.6	36	55.5
21	32.1	40	61.1
22	34.1	44	67.5
23	36.9	48	77.0
		118	7.9

Table- IV

Dash No.	ØR ±0.4	Dash No.	ØR ±0.4
095	7.9	108	32.2
100	9.9	209	33.3
101	13.1	110	35.3
102	14.8	210	36.5
103	16.3	111	38.6
104	18.0	211	39.0
105	19.5	112	41.7
205	20.0	113	44.9
106	22.2	213	46.0
206	23.0	114	48.0
107	25.8	214	49.2
207	28.0	115	52.8
108	29.0	116	61.1
308	30.2	117	63.6
208	30.6		

Table- III



For Other Details & Connector Specifications Refer Our 62IN Catalogue

All Dimensions are in mm

Shell Size	ϕ 'A' Min.	ϕ 'B'	ϕ 'C' Max	ϕ 'D' ± 0.25	ϕ 'J' ± 0.25	'L' LENGTH
08	12.22	17.60	22.66	13.13	14.69	76.20
10	15.29	20.35	26.84		17.86	
12	19.33	24.50	29.01		22.64	
14	22.48	27.90	32.19		25.81	88.90
16	25.05	31.07	36.94		28.99	
18	28.85	33.33	39.70		32.16	
20	32.0	36.89	42.85		35.35	101.60
22	35.18	40.06	45.65	38.51		
24	38.35	43.14	48.82	41.68		

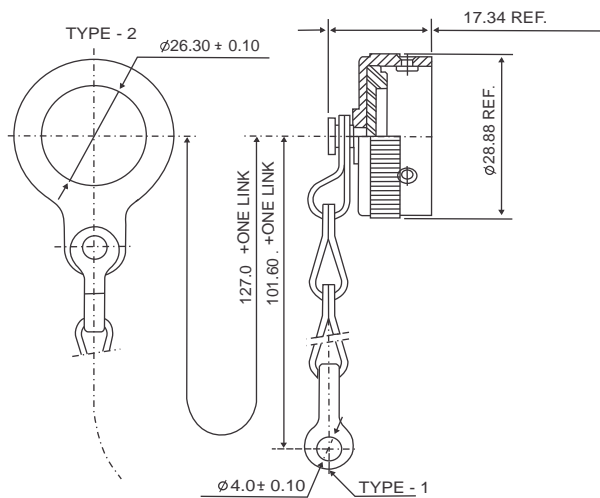
All Dimensions for reference only

Ordering Information

62IN-1069-10-XXX



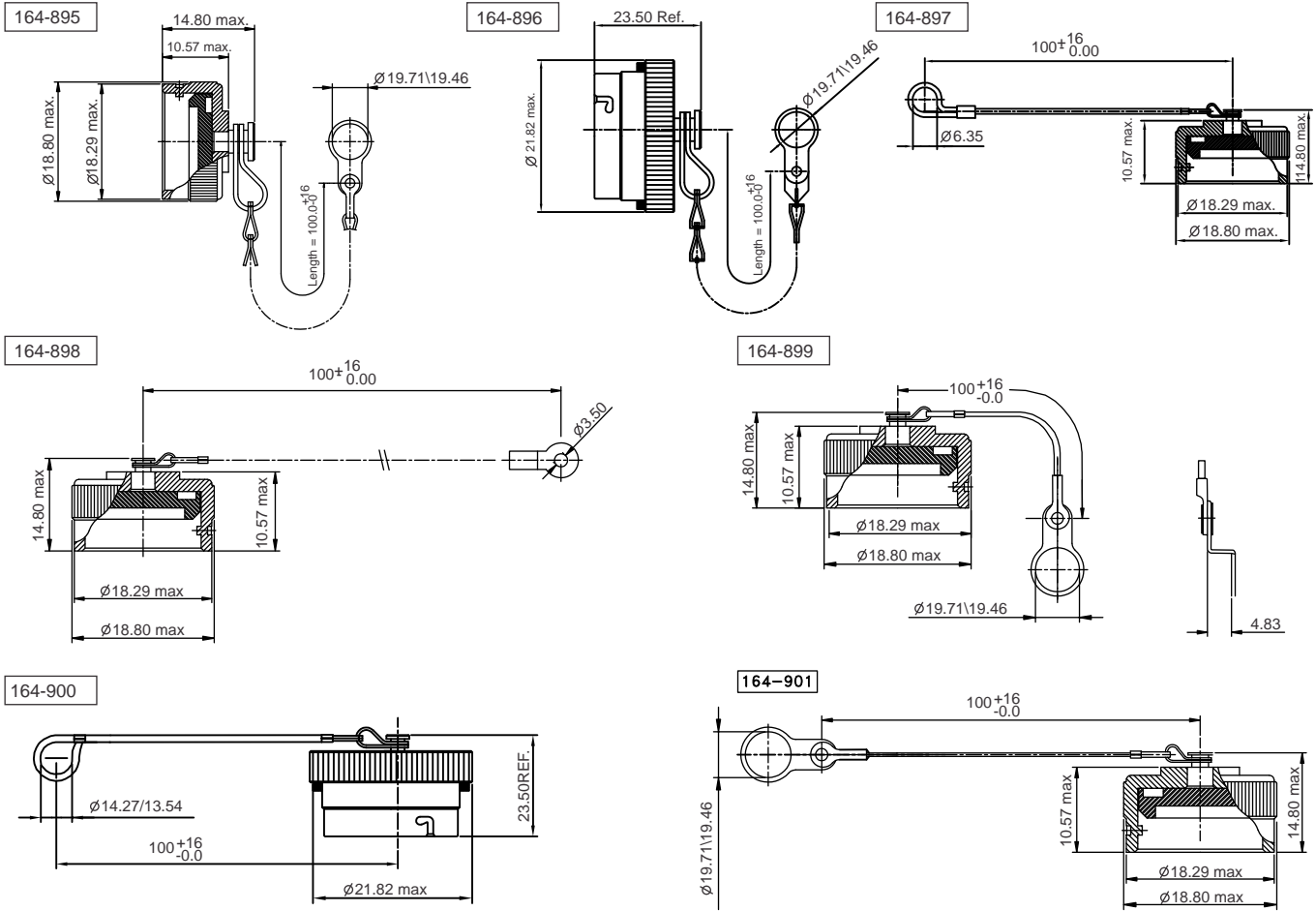
MIL-C 1054 Dust Cap for 10 Pin Audio Connector



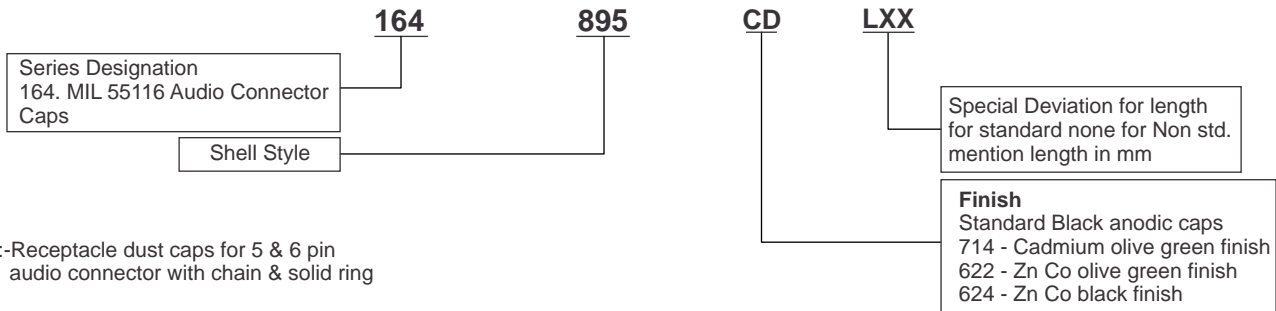
All dimensions in mm

Table 1

Dust Cap No.	Link Type	Cap Finish
164-377	Type-2	Black Anodised
164-377-714	Type-2	Cadmium Plate with Electroless Under Coat
164-377-01	Type-1	Black Anodised
164-377-01-714	Type-1	Cadmium Plate with Electroless Under Coat



ORDERING INFORMATION FOR 164 DUST CAP



895:-Receptacle dust caps for 5 & 6 pin audio connector with chain & solid ring

896:-Plug dust caps for 5 & 6 pin audio connector with chain & solid ring

897:-Receptacle dust caps for 5 & 6 pin audio connector with nylon rope & loop

898:-Receptacle dust caps for 5 & 6 pin audio connector with nylon rope & SS lug

899:-Receptacle dust caps for 5 & 6 pin audio connector with SS rope & lug

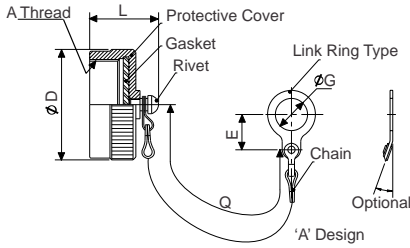
900:-Plug dust caps for 5 & 6 pin audio connector with SS rope & loop

901:-Receptacle dust caps for 5 & 6 pin audio connector with nylon rope & solid ring

MATERIAL

Cover : Machined Alluminium Alloy
 Gasket : Silicon elastomer
 Chain : Stainless steel passivated
 Ring : Stainless steel passivated
 SS Rope : Stainless steel teflon coated
 Rope : Nylon (olive green)
 Fastners : Stainless steel passivated

Receptacle Dustcap (AQWLD-17349)



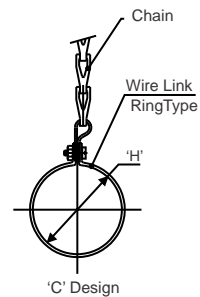
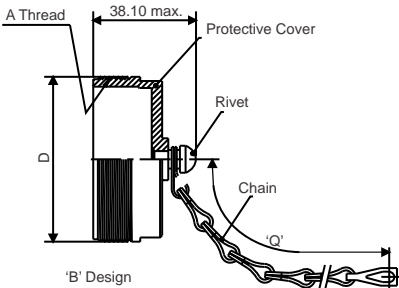
All dimensions are in mm

Amphenol Part No.	MS Part No.	A Thread 2B Double Start	ØD MAX.	E MIN.	L MAX.	ØG MIN.	Q
AQWLD-17349C12*	MS17349C12*	0.875-0.1P-0.2L-DS	27.80	21.10	19.43	25.80	127.00
AQWLD-17349C14*	MS17349C14*	1.000-0.1P-0.2L-DS	31.00	22.10		29.00	
AQWLD-17349C16*	MS17349C16*	1.1250-0.1P-0.2L-DS	34.10	24.60		32.20	
AQWLD-17349C18*	MS17349C18*	1.250-0.1P-0.2L-DS	37.30	25.70		35.30	
AQWLD-17349C20*	MS17349C20*	1.375"-0.1P-0.2L-DS	39.70	28.40	24.90	38.50	152.40
AQWLD-17349C22*	MS17349C22*	1.500"-0.1P-0.2L-DS	42.90	30.20		41.70	
AQWLD-17349C24*	MS17349C24*	1.750-0.1P-0.2L-DS	49.30	33.80		48.00	
AQWLD-17349C28*	MS17349C28*	2.000"-0.1P-0.2L-DS	56.40	37.60		54.40	
AQWLD-17349C32*	MS17349C32*	2.250-0.1P-0.2L-DS	62.70	41.10		60.70	
AQWLD-17349C36*	MS17349C36*	2.500-0.1P-0.2L-DS	69.10	45.00		67.10	
AQWLD-17349C40*	MS17349C40*	2.750-0.1P-0.2L-DS	75.40	48.50		73.40	

*Add attaching ring A, B, or C.

Plug Dustcap (AQWLD-17350)

All dimensions are in mm



Amphenol Part No.	MS Part No.	A Thread 2A Double Start	ØD MAX.	ØH MIN.	Q -0.0 +1 LINK
AQWLD-17350C10*	MS17350C10*	0.750-0.1P-0.2L-DS	20.60	18.30	127.00
AQWLD-17350C12*	MS17350C12*	0.875-0.1P-0.2L-DS	23.80	21.40	
AQWLD-17350C14*	MS17350C14*	1.000-0.1P-0.2L-DS	27.00	24.70	
AQWLD-17350C16*	MS17350C16*	1.1250-0.1P-0.2L-DS	30.20	27.70	
AQWLD-17350C18*	MS17350C18*	1.250-0.1P-0.2L-DS	33.30	30.90	152.40
AQWLD-17350C20*	MS17350C20*	1.375"-0.1P-0.2L-DS	36.50	34.00	
AQWLD-17350C22*	MS17350C22*	1.500"-0.1P-0.2L-DS	39.70	37.30	
AQWLD-17350C24*	MS17350C24*	1.750-0.1P-0.2L-DS	46.00	43.60	
AQWLD-17350C28*	MS17350C28*	2.000"-0.1P-0.2L-DS	52.40	50.00	
AQWLD-17350C32*	MS17350C32*	2.250-0.1P-0.2L-DS	58.70	56.30	
AQWLD-17350C36*	MS17350C36*	2.500-0.1P-0.2L-DS	65.10	62.70	
AQWLD-17350C40*	MS17350C40*	2.750-0.1P-0.2L-DS	71.40	70.60	

*Add attaching ring A, B, or C.

Series

AQWLD

Type

AQWLD 17349 - Cap for Receptacle

AQWLD 17350 - Cap for Plug

Finish

N - Black Anodized (Non-conductive)

C - Cadmium over electroless nickel (Conductive)

Size

12 | 14 | 16 | 18 | 20 | 22 | 24 | 28 | 32 | 36 | 40

Design

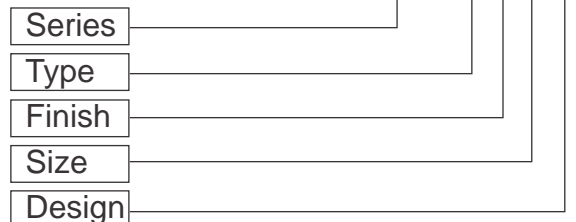
A - Chain & mounting ring

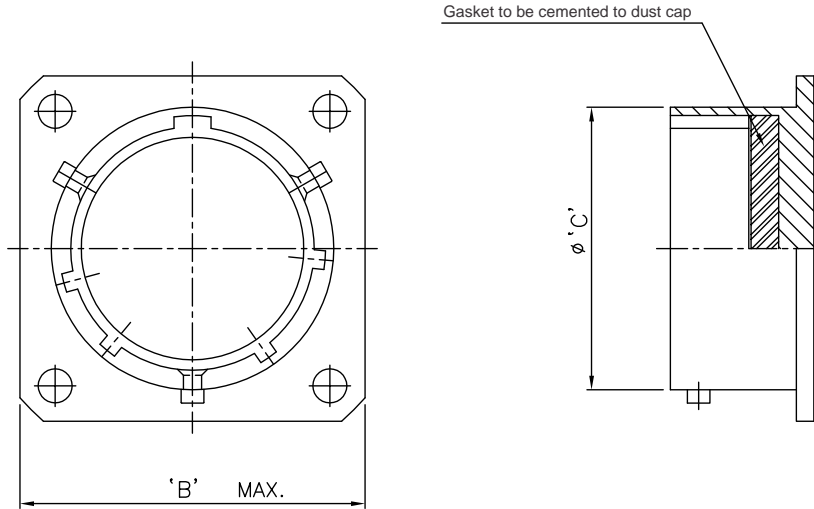
B - Chain without ring

C - Chain with clip

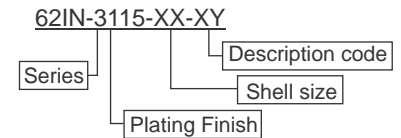
Ordering Information

AQWLD 49 C 20 A



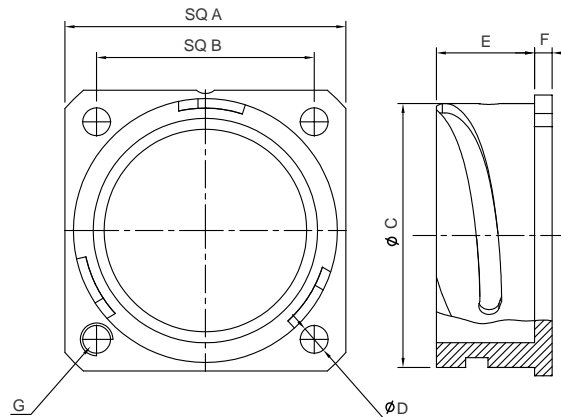


Shell Size	'B' Sq.	'C' ±0.08
08	20.62	11.96
10	23.80	14.94
12	26.59	18.97
14	28.58	22.17
16	31.34	25.32
18	33.32	28.52
20	36.50	31.70
22	39.67	34.87
24	42.85	38.05

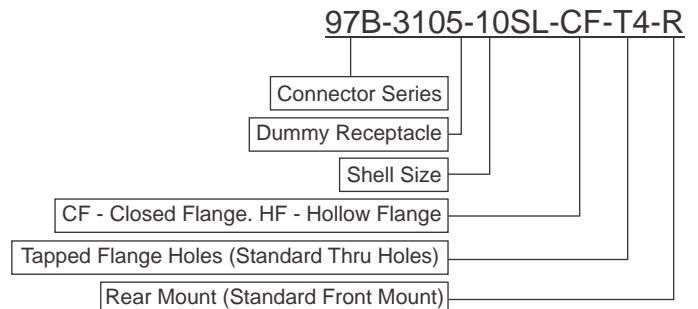


MIL 5015 Dummy Receptacle Bayonet

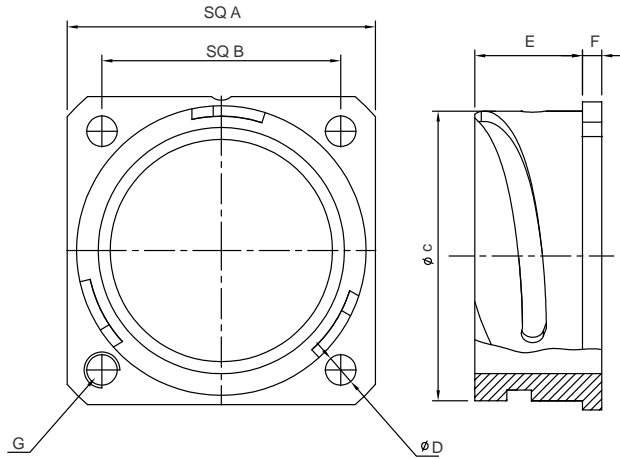
Front Panel Mounting Dummy Receptacles Rear Side Closed



Part No.	'A' +0.18 -0.20	'B' ±0.13	Ø'C' +0.00 -0.13	Ø'D' +0.10 -0.00	'E' +0.30 -0.00	'F' +0.18	'G'
97B-3105-10SL-CF	25.40	18.20	18.20	3.20	14.20	2.80	M4
97B-3105-14SL-CF	30.00	23.00	23.00	3.20	14.20	3.20	M4
97B-3105-16SL-CF	32.50	24.60	24.60	3.20	14.20	3.20	M4
97B-3105-16-CF	32.50	24.60	24.60	3.20	19.00	3.20	M4
97B-3105-18-CF	35.00	27.00	30.80	3.20	19.00	4.00	M4
97B-3105-20-CF	38.00	29.40	34.20	3.20	19.00	4.00	M4
97B-3105-22-CF	41.00	31.80	37.40	3.20	19.00	4.00	M4
97B-3105-24-CF	44.50	34.90	40.90	3.70	20.60	4.00	M4
97B-3105-28-CF	50.80	39.70	46.70	3.70	20.60	4.00	M5
97B-3105-32-CF	57.10	44.50	53.40	4.30	22.20	4.00	M5
97B-3105-36-CF	63.50	49.20	59.60	4.30	22.20	4.00	M5
97B-3105-40-CF	69.90	55.50	65.50	4.30	22.20	4.00	M5

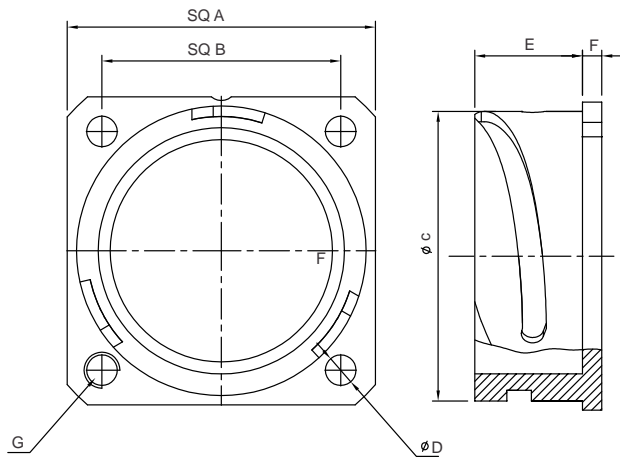


Front Panel Mounting Dummy Receptacles Rear Side Opened



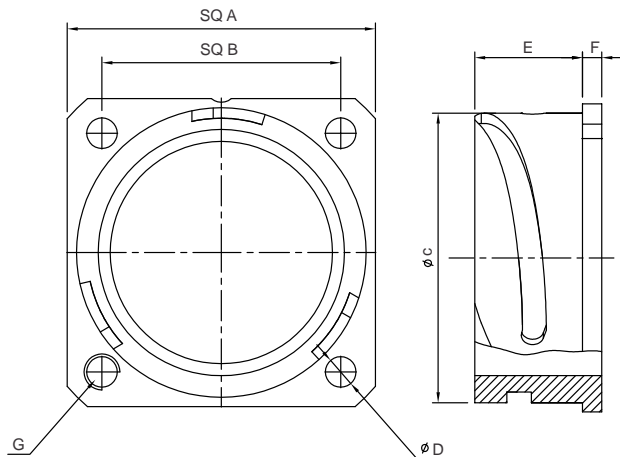
Part No.	'A' +0.18 -0.20	'B' ±0.13	Ø'C' +0.00 -0.13	Ø'D' +0.10 -0.00	'E' +0.30 -0.00	'F' ±0.18	'G'
97B-3105-10SL-HF	25.40	18.20	18.20	3.20	14.20	2.80	M4
97B-3105-14SL-HF	30.00	23.00	23.00	3.20	14.20	3.20	M4
97B-3105-16SL-HF	32.50	24.60	24.60	3.20	14.20	3.20	M4
97B-3105-16-HF	32.50	24.60	24.60	3.20	19.00	3.20	M4
97B-3105-18-HF	35.00	27.00	30.80	3.20	19.00	4.00	M4
97B-3105-20-HF	38.00	29.40	34.20	3.20	19.00	4.00	M4
97B-3105-22-HF	41.00	31.80	37.40	3.20	19.00	4.00	M4
97B-3105-24-HF	44.50	34.90	40.90	3.70	20.60	4.00	M4
97B-3105-28-HF	50.80	39.70	46.70	3.70	20.60	4.00	M5
97B-3105-32-HF	57.10	44.50	53.40	4.30	22.20	4.00	M5
97B-3105-36-HF	63.50	49.20	59.60	4.30	22.20	4.00	M5
97B-3105-40-HF	69.90	55.50	65.50	4.30	22.20	4.00	M5

Back Panel Mounting Dummy Receptacles Rear Side Closed



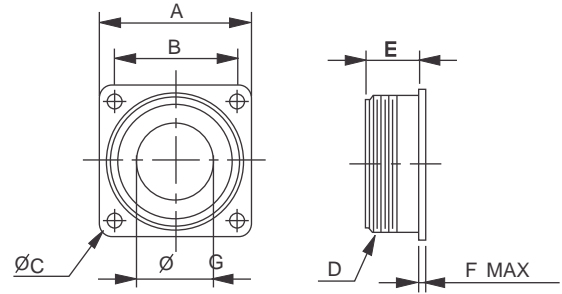
Part No.	'A' +0.18 -0.20	'B' ±0.13	Ø'C' +0.00 -0.13	Ø'D' +0.10 -0.00	'E' +0.30 -0.00	'F' ±0.18	'G'
97B-3105-10SL-CF	25.40	18.20	18.20	3.20	18.30	2.80	M4
97B-3105-14SL-CF	30.00	23.00	24.60	3.20	18.30	3.20	M4
97B-3105-16SL-CF	32.50	24.60	27.40	3.20	18.30	3.20	M4
97B-3105-16-CF	32.50	24.60	27.40	3.20	23.15	3.20	M4
97B-3105-18-CF	35.00	27.00	30.80	3.20	23.15	4.00	M4
97B-3105-20-CF	38.00	29.40	34.20	3.20	23.15	4.00	M4
97B-3105-22-CF	41.00	31.80	37.40	3.20	23.15	4.00	M4
97B-3105-24-CF	44.50	34.90	40.90	3.70	23.15	4.00	M4
97B-3105-28-CF	50.80	39.70	46.70	3.70	24.15	4.00	M5
97B-3105-32-CF	57.10	44.50	53.40	4.30	24.15	4.00	M5
97B-3105-36-CF	63.50	49.20	59.60	4.30	24.15	4.00	M5
97B-3105-40-CF	69.90	55.50	65.50	4.30	24.15	4.00	M5

Front Back Mounting Dummy Receptacles Rear Side Opened



Part No.	'A' +0.18 -0.20	'B' ±0.13	Ø'C' +0.00 -0.13	Ø'D' +0.10 -0.00	'E' +0.30 -0.00	'F' ±0.18	'G'
97B-3105-10SL-HF	25.40	18.20	18.20	3.20	18.30	2.80	M4
97B-3105-14SL-HF	30.00	23.00	24.60	3.20	18.30	3.20	M4
97B-3105-16SL-HF	32.50	24.60	27.40	3.20	18.30	3.20	M4
97B-3105-16-HF	32.50	24.60	27.40	3.20	23.15	3.20	M4
97B-3105-18-HF	35.00	27.00	30.80	3.20	23.15	4.00	M4
97B-3105-20-HF	38.00	29.40	34.20	3.20	23.15	4.00	M4
97B-3105-22-HF	41.00	31.80	37.40	3.20	23.15	4.00	M4
97B-3105-24-HF	44.50	34.90	40.90	3.70	23.15	4.00	M4
97B-3105-28-HF	50.80	39.70	46.70	3.70	24.15	4.00	M5
97B-3105-32-HF	57.10	44.50	53.40	4.30	24.15	4.00	M5
97B-3105-36-HF	63.50	49.20	59.60	4.30	24.15	4.00	M5
97B-3105-40-HF	69.90	55.50	65.50	4.30	24.15	4.00	M5

Other Accessories Dummy Receptacle MS-3105

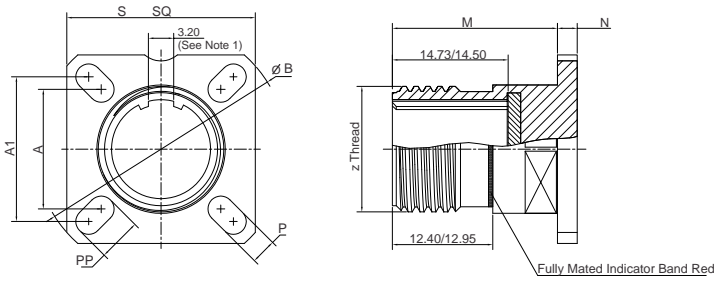


All dimensions are in mm

Part number (see note)	A	B	C	D Thread in inches	E	F max.	G
MS-3105-10S	25.4	18.26	3.05	5/8-24	14.27	3.96	8.20
MS-3105-12S	27.79	20.62	3.05	3/4-20	14.27	3.96	11.43
MS-3105-12	27.79	20.62	3.05	3/4-20	19.05	3.96	11.43
MS-3105-14S	30.17	23.01	3.05	7/8-20	14.27	3.96	13.36
MS-3105-14	30.17	23.01	3.05	7/8-20	19.05	3.96	13.36
MS-3105-16S	32.54	24.61	3.05	1-20	14.27	3.96	16.41
MS-3105-16	32.54	24.61	3.05	1-20	19.05	3.96	16.41
MS-3105-18	34.92	26.97	3.05	1 1/8-18	19.05	5.16	18.03
MS-3105-20	38.10	29.36	3.05	1 1/4-18	19.05	5.16	23.54
MS-3105-22	41.27	31.75	3.05	1 3/8-18	19.05	5.16	25.93
MS-3105-24	44.45	34.92	3.73	1 1/2-18	20.62	5.16	29.21
MS-3105-28	50.8	39.67	3.73	1 3/4-18	20.62	5.16	34.67
MS-3105-36	63.5	49.22	4.39	2 1/4-16	22.2	9.11	46.56

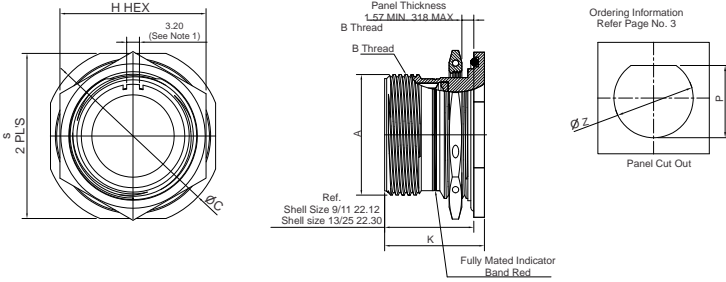
Note: The dash number also indicates shell size.

Wall Mounting Receptacle



SHELL SIZE	MIL CODE	A	A1	B	M	N	P	PP	S	'Z'
09	A			±0.20			±0.20	±0.20	MAX.	-2A R.H. THREAD
	A1	15.09	18.26	31.75					24.10	5/8" 0.1P--3L-TS
	A2									
11	B	18.26	20.62	34.93	20.83	2.50	3.25	4.93	26.50	3/4" 0.1P--3L-TS
13	C	20.62	23.01	38.10					28.90	7/8" 0.1P--3L-TS
15	D	23.01	24.61	41.28					31.30	1.0" 0.1P--3L-TS
17	E	24.61	26.97	44.45					33.70	1 3/16" 0.1P--3L-TS
19	F	26.97	29.36	47.63					36.90	1 1/4" 0.1P--3L-TS
21	G	29.36	31.75	50.80					40.10	1 3/8" 0.1P--3L-TS
23	H	31.75	34.93	55.58	20.07	3.20	3.91	6.15	43.30	1 1/2" 0.1P--3L-TS
25	J	34.93	38.10	60.33					46.40	1 5/8" 0.1P--3L-TS

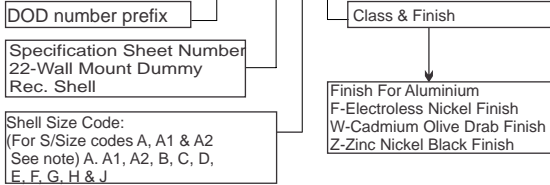
Jam Nut Receptacle



SHELL SIZE	A	B	THRAD CLASS	2A	C MAX.	H HEX.	#Z	P	S	K
09	16.99	.6250	01P--03L--TS	30.45	22.23	+0.43 -0.41	17.6	16.7	26.97	24.77
11	19.53	.7500		35.2	25.4		20.96	19.59	31.75	24.77
13	24.26	.8750		38.38	30.18		25.65	24.26	34.93	24.94
15	27.53	1.0000		41.55	33.32		28.83	27.56	38.10	24.94
17	30.68	1.1875		44.73	36.53		32.01	30.73	41.28	24.94
19	33.86	1.2500		49.5	39.67		35.18	33.91	46.02	25.73
21	37.06	1.3750		52.65	42.80		38.35	37.08	49.23	25.73
23	40.01	1.5000		55.85	46.02		41.53	40.26	52.37	25.73
25	43.41	1.6250		59.0	50.8		44.70	43.43	55.58	25.73

Ordering Information: (MIL - Grade)

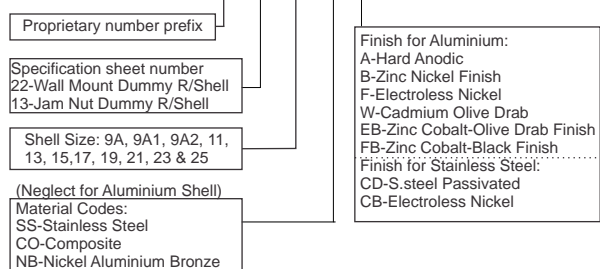
JAND38999/ 22 B W



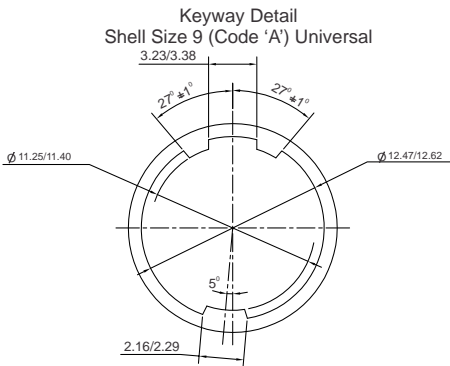
- * Note: For shell size 9 only
a) Shell size code 'A' is for universal configuration for use with plugs with mating key polarizations A, B, C, D, E & N.
b) Shell size code 'A1' is for use with plugs with mating key polarizations C, E & N.
c) Shell size code 'A2' is for use with plugs with mating key polarizations A, B & D.

Ordering Information: (Proprietary)

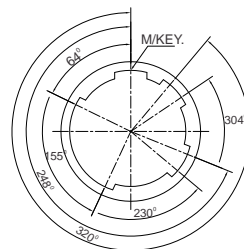
ITV 22 -09*XX-W



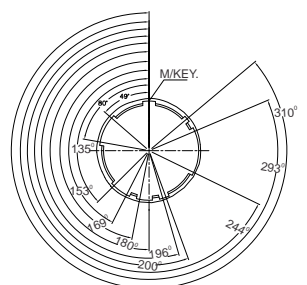
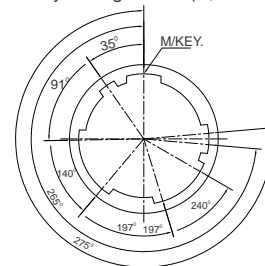
- * Note: For shell size 9 only
Shell size code 'A' is for universal key orientation
Shell size code 'A1' is for use universal key orientation 'C' 'E' & 'N'
Shell size code 'A2' is for use universal key orientation 'A' 'B' & 'D'



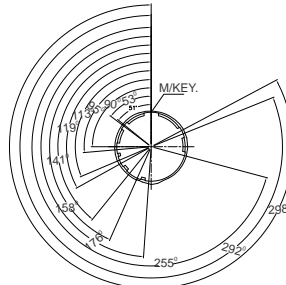
Keyway Detail
Shell Size 9 (Code 'A2')
Key Arrangements (A, B & D)



Keyway Detail
Shell Size 9 (Code 'A1')
Key Arrangements (C, E & N)

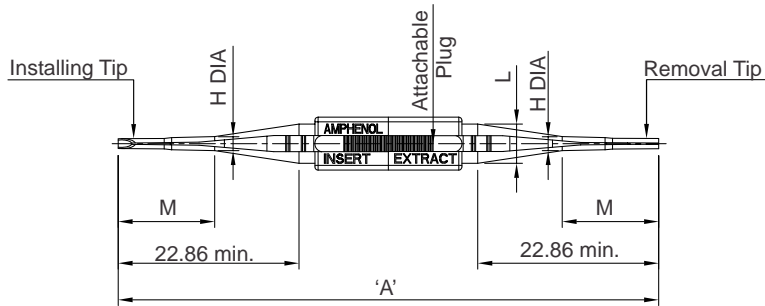


Keyway Detail
Shell Size 17, 19, 21, 23 & 25
Key Arrangements (A, B, C, D, E & N)

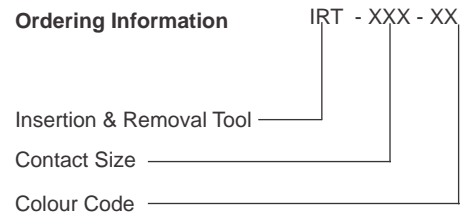


Keyway Detail
Shell Size 11, 13 & 15
Key Arrangements (A, B, C, D, E & N)

Insertion Removal Tool



Ordering Information

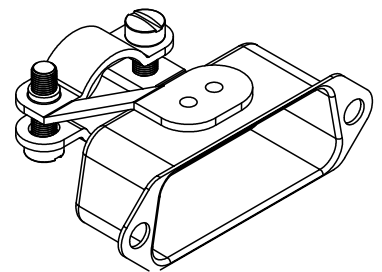
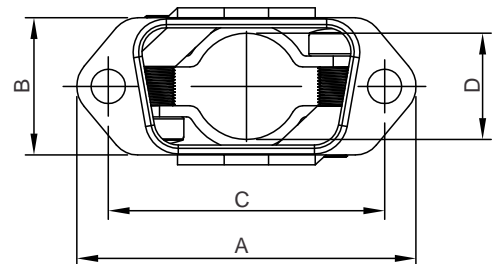
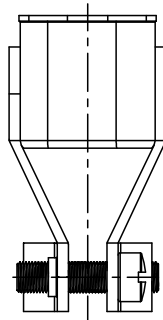
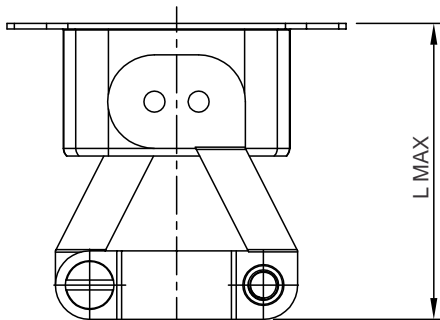


SR. NO	MIL Part Number	Amphenol Part Number	Contact Size	Colour Code		'A' max.	'M' min.	'L' max.	'H' max.
				Installing Tip	Removal Tip				
1	M81969/14-01	IRT - 22D -GW	22D	Green	White	114.0	15.24	7.36	2.28
2	M81969/14-11	IRT - 20 -RW	20	Red	White	114.0	19.30	7.36	3.81
3	M81969/14-10	IRT - 20 -RO	20	Red	Orange	114.0	19.30	7.36	3.81
4	M81969/14-03	IRT - 16 -BW	16	Blue	White	114.0	25.40	11.18	5.87
5	M81969/14-04	IRT - 12 -YW	12	Yellow	White	114.0	25.40	11.18	7.29

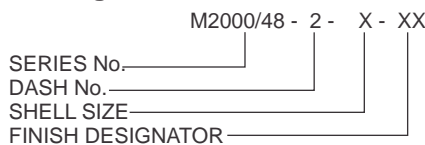
Backshell for D - SUB (M24308) Connector

Backshell For D- Sub (M24308) Connector

A. Metallic Straight Cable Housing With Cable Clamp



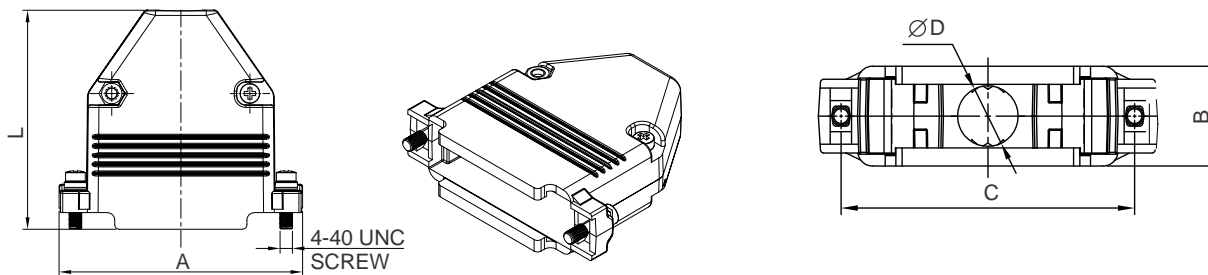
Ordering Information



FINISH : F - CADMIUM PLATE WITH YELLOW PASSIVATION
 Z - ZINC PLATE WITH YELLOW PASSIVATION
 TI - TIN PLATED

Sr.No.	MIL Part No.	SHELL SIZE	No. of PINS DENSITY		A	B	C	D max	L max
			STD	HIGH					
1	M2000/48-2-1Z	1	9	15	30.70	12.40	24.99	10.30	27.80
2	M2000/48-2-2Z	2	15	26	39.00	12.40	33.32	10.30	27.80
3	M2000/48-2-3Z	3	25	44	52.90	12.40	47.04	15.10	28.60
4	M2000/48-2-4Z	4	37	62	69.20	12.40	63.50	18.30	28.60
5	M2000/48-2-5Z	5	50	78	66.80	15.25	61.11	18.30	28.60

Hood for D-Sub (M24308) Connector Metal Hood (Straight Entry)



Ordering Information (Military Part Number)

M2000 / X X-XXXX

Series No.	M2000	X	X-XXXX
Shell Size			
Finish Designator			
Type-	MH- Metal Hood (Straight Entry) MHA- Metal Hood (Angle Entry) PH- Plastic Hood (Straight Entry) PHA- Plastic Hood (Angle Entry) MPH- Metallized Plastic Hood (Straight Entry) MPHA- Metallized Plastic Hood (Angle Entry)		

All Dimensions are in mm

Sr. No.	Shell Size	No. of Pins Density		'A'	'B'	'C'	'D'	'L'
		Std.	High					
01	01	09	15	31.50	15.60	24.99	6.00	47.60
02	02	15	26	40.80	15.60	33.30	10.00	48.20
03	03	25	44	54.20	16.00	47.00	10.00	48.80
04	04	37	62	69.20	16.00	63.50	10.20	48.60
05	05	50	78	67.10	18.00	61.10	12.30	48.60

* For angle entry please contact factory.

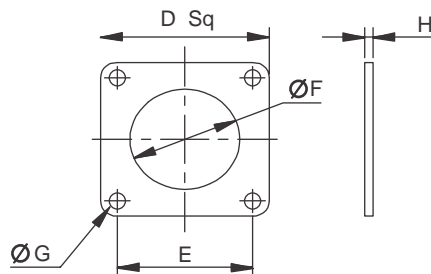
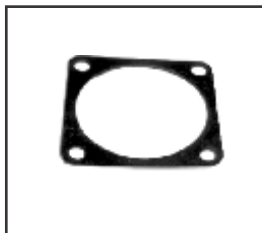
Finish-
 Z- Zinc Plate with yellow passivation
 F- Cadmium Plate with yellow passivation

For nickel plated no suffix is required.

Flange Mounting Gasket

62IN-760-XX

(Replace XX With The Required Shell Size)



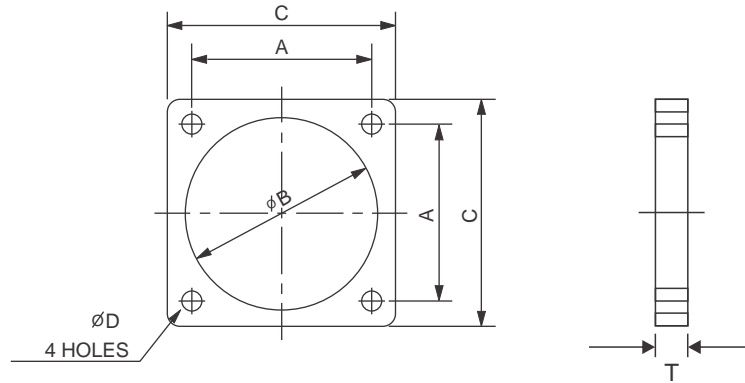
All dimensions in mm

Shell size	D	E	F Dia	G Dia	H max
8	20.62	15.08	12.90	3.30	1.06
10	23.82	18.26	16.07	3.30	1.06
12	26.18	20.65	19.25	3.30	1.06
14	28.57	23.01	22.42	3.30	1.06
16	30.96	24.61	25.60	3.30	1.06
18	33.32	27.00	28.77	3.30	1.06
20	36.52	29.36	31.95	3.30	1.06
22	39.70	31.75	35.13	3.30	1.06
24	42.87	34.92	38.30	3.96	1.06

Other Accessories

Plain Flat Gasket

For MS & 97B Flange Mounted Receptacles



All dimensions are in mm

Part number	Shell size	A max	B	C	D	T
MS-101000	10SL	18.26	15.90	25.40	4.35	1.5
MS-108686	12S & 12	20.62	19.05	27.80	4.35	1.5
MS-101001	14S & 14	23.01	22.20	30.15	4.35	1.5
MS-101002	16S & 16	24.61	25.40	32.50	4.35	1.5
MS-101003	18	27.00	28.57	34.90	5.15	1.5
MS-101004	20	29.36	31.75	38.10	5.15	1.5
MS-101005	22	31.75	34.90	41.20	5.15	1.5
MS-108687	24	34.90	38.10	44.45	5.15	1.5
MS-101006	28	39.70	44.45	50.80	5.15	1.5
MS-108688	32	44.45	50.80	57.15	5.55	1.5
MS-101007	36	49.22	55.57	63.50	5.55	1.5
MS-110831	40	55.77	61.92	69.85	5.55	1.5

*For Conductive and rear Mount Gasket contact factory.

Notice : All information, including illustrations given herein is believed to be accurate at the time of printing. In lieu of design advances, Amphenol reserves the right to change specifications without notice. This publication Dust Cap Accessory Series Connectors AC ACC11 0717 supercedes all existing Amphenol literature on Dust Cap Accessory Series Connectors.

NORTH AMERICA

Sales & Product Support

Amphenol PCD
72 Cherry Hill Drive
Beverly, MA 01915 USA
Tel: +1-978-624-3400
Fax: +1-978-927-1513
info@amphenolpcd.com
www.amphenolpcd.com
www.backshellworld.com

Amphenol Aerospace Operations
40-60, Delaware Avenue
Sidney, NY 13838-1395
Tel: +1-607-563-5011
Fax: +1-607-563-5357

Amphenol Canada
Meford Drive
Scarborough,
ON M1B 2X6
Tel: +416-291-4401
Fax: +416-292-0647

Amphenol Fiber Systems International
1300 Central Expressway North
Suite 100 Allen, Texas 75013, USA
Tel: +1-214-547-2400
Fax: +1-214-547-9344

EUROPE

France

Amphenol Socapex S.A.S.
948, Promenade de l'Arve
Bp29, Thyez Cedex
74311, France
Tel: +33-4-5089-2800
Fax: +33-4-5096-1941

United Kingdom

Amphenol Limited
Thanet Way, Whitstable
Kent CT5 3JF, England
Tel: +44-1227-773-200
Fax: 44-1227-276-571

Germany

Amphenol-Air LB GmbH
Am Kleinbahnhof 4
Saarlouis
D-66740, Germany
Tel: 49-6831-9810-00
Fax: 49-6831-9810-30

Italy

Via Barbaiana 5
20020 Lainate (Milano)
Italy
Tel: +39-02-93254.209
+39-02-93254.214
Fax: +39-02-93254-444

Center & East Europe

Amphenol
Wiener Gasse 68
2380 Perchtoldsdorf
Tel: +43-699-10396071
Fax: +43 699 40396071

Amphenol Air-LB

Immeuble Le Doublon
11, Avenue Dobonnet
Courbevoie-Cedex
92407, France
Ph: +33-1-4905-3000
Fax: +33-1-4905-3043

Spain

Amphenol Iberica
Edificio Burgosol Oficina
N 55 C/Comunidad de
Madrid 35 bis -
Las Rozas (Madrid)
Tel: +34-91-6407302
+34-91-6407306
Fax: +34-91-6407307

Austria

Amphenol Austria
Wiener Gasse 68
2380, Erchtoldsdarf,
Austria
Tel: + 43-69910396071
Fax: + 43-69940306071

Holland

Amphenol Benelux
Zadelmaker 121
NL-2401 PD Alphen
aan den Rijn Holland
Tel: +31-172-444903
Fax: +31-172 240254

Sweden

Amphenol
Industrial and Military & Aerospace
Nordic & Baltic
Military Phone/Mobile+46702129200
Industrial +46 767909560

ASIA

India

Amphenol Interconnect India Pvt. Ltd.
105 Bhosari Industrial Area
Pune-411026, India
Tel: +9120-3068-8305
Fax: +9120-2712-9158

Japan

Amphenol Japan
471-1, Deba, Ritto City
Shiga 520-3041, Japan
Tel: +81-77-553-8501
Fax: +81-77-551-2200

Singapore

Amphenol East Asia Ltd.
72 Bendemeer Road
03-33 Luzerne
Singapore 339 941
Tel: 65-6294-2128
Fax: 65-6294-3522

China

Amphenol PCD Shenzhen
3/F Building, A4 Songbai
Industrial Park
East Road of Minghuan
Gongming Town, Baon District
Shenzhen, China
Tel: +86-755-8173-8000
Fax: +86-755-8173-8180

Amphenol Interconnect India Pvt. Ltd.
61 Electronics City
Bangalore-560 100, India
Ph: +9180-2852-3838
Fax: +9180-2852-0418

Korea

Amphenol Daeshin Electronics
558 SoSa, SongNae, Bucheon-City
Kyunggi-Do, Korea 420-130
Tel: +82-32-610-3800
Fax: +92-32-673-2507

ROW

Australia

Amphenol Australia Pty Ltd
2 Fiveways Boulevard
Keysborough
VIC 3173
Ph: +61-3-8796-8888
Fax: +61-3-8796-8801

Africa

Amphenol South Africa
30 Impala Road
2196 Sandton-Chistlehurst
South Africa
Tel: +27-11-783-9517
Fax: +27-11-783-9519

Russia

Amphenol Russia
8-2 Yaroslavskaja Str
129164 Moscow, Russia
Tel: +7-495-937-6341
Fax: +7-495-937-6319

Argentina

Amphenol Argentina
Avenida Callao 930
2nd Floor, Office B Plaza
C1023AAP Buenos Aires
Argentina
Tel: 54-11-4815-6886
Fax: 54-11-4814-5779

Israel

Bar-Tec Ltd.
P.O. Box 279
Kfar Sava, 44102 Israel
Tel: +972-9-7644100
Fax: +972-9-7674324

Maslak

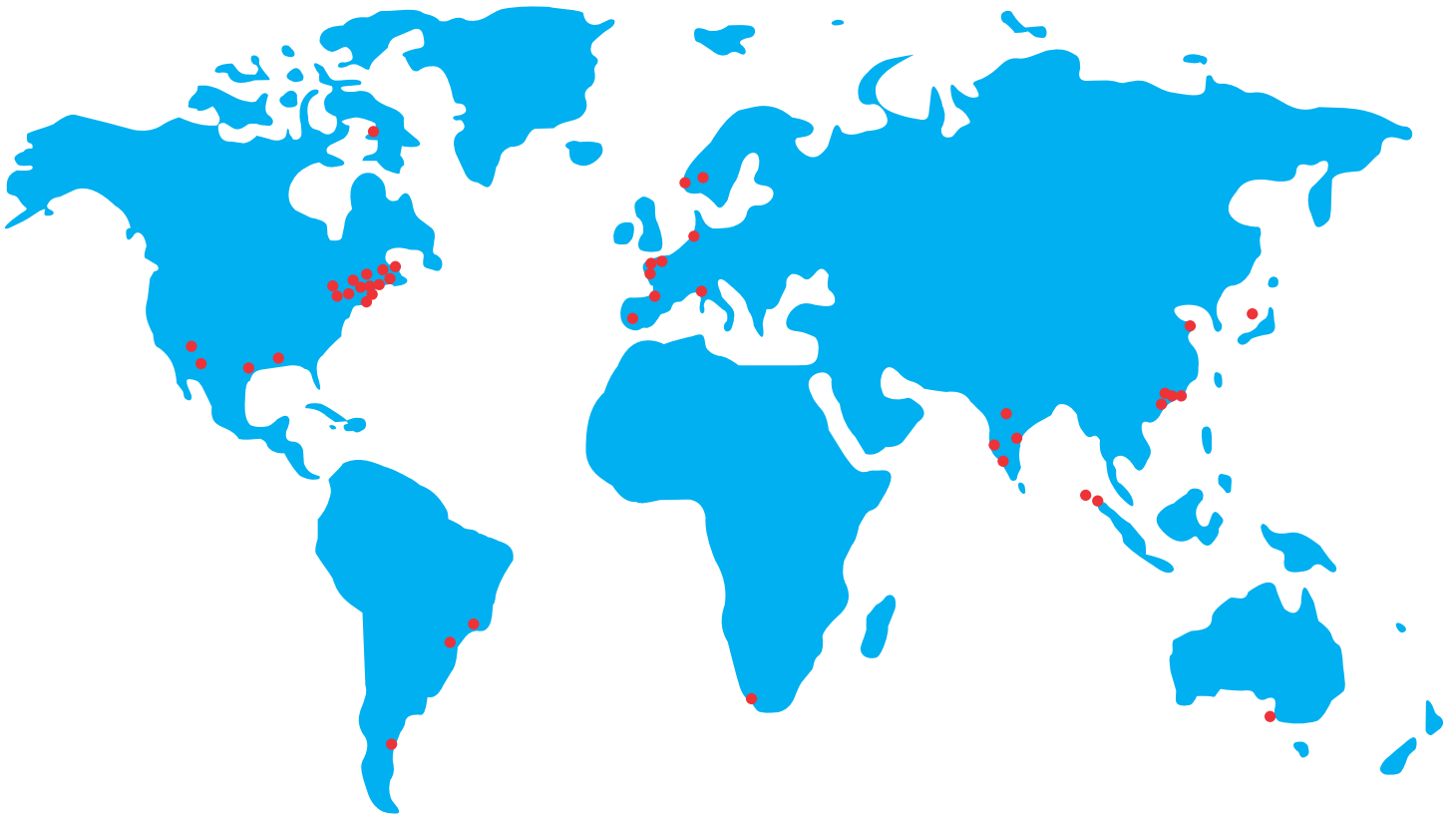
34396 Istanbul
Tel: +90-212-335-2501
Fax: +90-212-335-2500

Brazil

Amphenol do Brasil Ltda
Rua Diogo Moreira 132
CEP 05423-010
Sao Paulo-SP, Brazil
Tel: +55-11-3815-1003
Fax: +55-11-3815-1629

Amphenol

A Global Company



X-ON Electronics

Largest Supplier of Electrical and Electronic Components

Click to view similar products for [Circular MIL Spec Tools, Hardware & Accessories](#) *category:*

Click to view products by [Amphenol](#) *manufacturer:*

Other Similar products are found below :

[0113-201-2025](#) [600-079-06](#) [600-146-06](#) [M10-101983-183](#) [M10-454396-008](#) [602GB18808](#) [CS3102A-22-14PW](#) [M2887615-CD](#) [627-009](#)
[M38999/9-19B](#) [630A007NF083A](#) [630B007M051A](#) [630BJ003NF032H](#) [637-149NF04B](#) [M39029/29-215](#) [6408-203V-09273](#) [6426-201-11343](#)
[650FS002NF16](#) [660-008NF14S7-01](#) [660-009M22H8-03](#) [660-013NF19U6-210](#) [660-015M10S6-17](#) [660-015NF10S5-01](#) [660-015NF14R3.5-01](#)
[660-023NF19H6-19](#) [660-024NF11S12-01](#) [660-024NF11S3-01](#) [660-024NF17S4-109](#) [660-050XM17F4-01](#) [660-068NF25R6-30G](#) [660-](#)
[070M23S8-04](#) [660-073MTCH9-20](#) [M83723/61-18W](#) [M83723/61-218R](#) [M83723/61-224W](#) [667-084-23C](#) [667-084-35C](#) [667-224NF16](#) [687-](#)
[697NF-1](#) [M85049/94-10-A](#) [M85049/96-7-A](#) [M855282-10A01A](#) [M85528/2-10B](#) [M855282-18A01A](#) [M85528/2-22A01A](#) [M85528/2-22AA](#)
[710HS460NF2508](#) [780-001-22G12-SK](#) [780-002-19G12-SK](#) [780-002-20G12SK](#)