

4

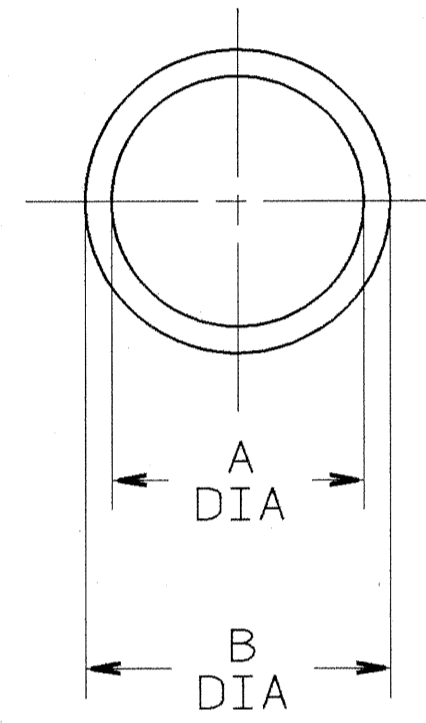
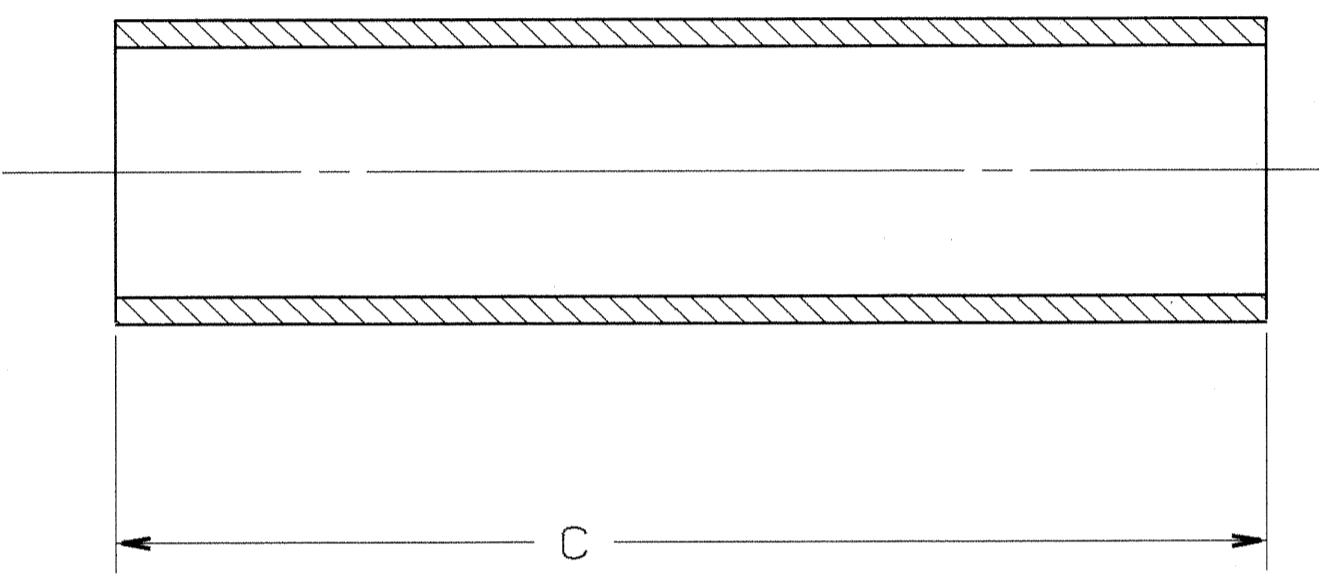
3

2

1

PART NO.	TYPE	A DIA ±.016	B DIA ±.016	C ±.031	MS NUMBER
10-35910-101	I	.125	.210	2.000	MS3420- 3A
-121		.219	.302	2.000	- 4A
-141		.312	.427	2.000	- 6A
-161		.438	.531	2.000	- 8A
-181		.438	.615	2.000	-10A
-201		.541	.740	2.000	-12A
-241		.750	.927	2.000	-16A
-242		.750	.928	3.000	
-301		.938	1.115	2.000	MS3420-18A
-321		.938	1.240	2.000	-20A
-361		1.125	1.365	2.000	-24A
-401		1.250	1.614	2.000	-28A
-441		1.625	1.865	2.000	-32A
-481		1.875	2.365	2.000	-40A

REVISIONS				
ZONE	LTR	DESCRIPTION	DATE	APPROVED
	B	(CLII) REDRAWN, SAME SIZE, STANDARDIZED SEE CHANGE NOTICE ECN: 76686-1	1/7/86 BIVIANO	<i>[Signature]</i>
	C	(CLII) SEE CHANGE NOTICE ECN: 27564	3-8-93 DE MATTEO	<i>[Signature]</i>



TYPE I

1. MATERIAL SPEC: RUBBER PER MIL-STD-417
TYPE SC 515 A₁ B₁ C₁ E₃ F₂ GM.

NOTES:

THE USE OF THIS DOCUMENT IS UNLIMITED.
HOWEVER, DOCUMENTS REFERENCED HEREON
MAY CONTAIN LIMITED RIGHTS DATA.

UNLESS OTHERWISE SPECIFIED LINEAR DIMENSIONS ARE IN INCHES.		FIND NO.	QTY REQD.	FSCM NO.	PART NUMBER	DESCRIPTION	NOTE REF.
TOLERANCES: .XXX±.010, .XX ±.03, .X ±.1, ANGLES ±2°.		SPECIFICATIONS		SIGNATURES		DATES	
OTHER STANDARDS PER 9-3800 AND DOD-D-1000.		MATERIAL SPEC. SEE NOTE 1		HENNEASEY		3/23/50	
NOTE REF. =		PROCESS SPEC.		<i>[Signature]</i>		3/27/86	
NEXT ASSEMBLY		APPROVED		<i>[Signature]</i>		3-26-86	
10-35900		APPROVED		<i>[Signature]</i>		3-27-86	
COMPUTER GENERATED DRAWING		ORIGINAL PREPARED DATE		SIZE		FSCM NO.	
SCALE NONE		WT.		REF		SHEET 1 OF 2	
REV. C		77820		10-35910		TAB.	

COMPUTER GENERATED DRAWING

10-35910

A

D

C

B

A

D

C

B

A

X-ON Electronics

Largest Supplier of Electrical and Electronic Components

Click to view similar products for [Circular MIL Spec Tools, Hardware & Accessories](#) *category:*

Click to view products by [Amphenol](#) *manufacturer:*

Other Similar products are found below :

[0113-201-2025](#) [600-079-06](#) [600-146-06](#) [M10-101983-183](#) [M10-454396-008](#) [602GB18808](#) [CS3102A-22-14PW](#) [M2887615-CD](#) [627-009](#)
[M38999/9-19B](#) [630A007NF083A](#) [630B007M051A](#) [630BJ003NF032H](#) [637-149NF04B](#) [M39029/29-215](#) [6408-203V-09273](#) [6426-201-11343](#)
[650FS002NF16](#) [660-008NF14S7-01](#) [660-009M22H8-03](#) [660-013NF19U6-210](#) [660-015M10S6-17](#) [660-015NF10S5-01](#) [660-015NF14R3.5-01](#)
[660-023NF19H6-19](#) [660-024NF11S12-01](#) [660-024NF11S3-01](#) [660-024NF17S4-109](#) [660-050XM17F4-01](#) [660-068NF25R6-30G](#) [660-](#)
[070M23S8-04](#) [660-073MTCH9-20](#) [M83723/61-18W](#) [M83723/61-218R](#) [M83723/61-224W](#) [667-084-23C](#) [667-084-35C](#) [667-224NF16](#) [687-](#)
[697NF-1](#) [M85049/94-10-A](#) [M85049/96-7-A](#) [M855282-10A01A](#) [M85528/2-10B](#) [M855282-18A01A](#) [M85528/2-22A01A](#) [M85528/2-22AA](#)
[710HS460NF2508](#) [780-001-22G12-SK](#) [780-002-19G12-SK](#) [780-002-20G12SK](#)