

MIL-DTL-5015, Matrix

CRIMP REAR RELEASE SERIES

Amphenol
Aerospace



CRIMP REAR RELEASE

About Amphenol® Aerospace

Your Source for Interconnect Products

Amphenol Aerospace

Contact Us:

Amphenol Aerospace
40-60 Delaware Avenue
Sidney, NY 13838-1395

Customer Service:

Mon - Fri 8AM - 5PM
Phone: (800) 678-0141
Fax: (607) 563-5157
Online: www.amphenol-aerospace.com



Amphenol Aerospace, Amphenol Commercial Air,
and Amphenol Industrial Operations Main Facility in Sidney, NY USA

About Amphenol Aerospace:

Amphenol Aerospace, a Division of Amphenol Corporation, is one of the largest manufacturers of interconnect products in the world for the Military, Commercial Aerospace and Industrial markets. Amphenol designs, manufactures and markets circular and rectangular, electronic, fiber optic, EMI/EMP filter, and a variety of special applications connectors and interconnect systems.

Our state-of-the-art facility is nestled at the foothills of the Catskill Mountains in Sidney, NY. The Amphenol complex houses many technologies including CNC machining, die-casting, molding, impact and extruding, plating, screw machining and process controls. Our fully equipped material evaluation lab and engineering organization utilize the latest in computer aided design software and analysis tools, allowing us to design, test, and qualify advanced interconnect systems. Amphenol's interconnect products are supplied to thousands of OEMs worldwide and are supported by our worldwide sales and engineering force, including the largest global network of electronic distributors.



Customer-Centric:

Our #1 priority is our customers who deserve quality product on time.

Accountable:

Clear owners, clear actions, clear results.

Reliable:

What we build matters and quality is imperative.

Enthusiastic:

Challenges create rewarding opportunities. Enthusiasm is contagious and we will spread it.

Quality Assurance:

Amphenol Aerospace has been awarded both AS9100 - Revision C and ISO9001:2008 Quality Assurance Certifications.

MIL-DTL-5015, Matrix®

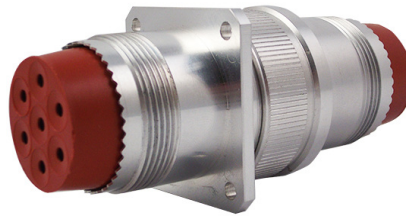


TABLE OF CONTENTS FOR SECTION M

| | |
|--|-------|
| Design Characteristics, Customer Options | 4 |
| Additional MIL-DTL-5015 connectors offered by Amphenol | 5 |
| Insert Availability and Identification | 6, 7 |
| Insert Arrangement Drawings | 8-14 |
| Class Descriptions, Performance Specifications | 15 |
| Insert Alternate Positioning | 16 |
| How to Order, Military and Commercial | 17 |
| Shell Styles: | |
| Wall mounting receptacle threaded MS3450 (9440) | 18 |
| Cable connecting receptacle threaded MS3451 (9441) | 19 |
| Box mounting receptacle threaded MS3452 (9442) | 20 |
| Jam nut receptacle threaded MS3454 (9444) | 21 |
| Straight plug threaded MS3456 (9446) | 22 |
| Straight plug, self-locking threaded MS3459 (9816) | 23 |
| Quick disconnect plug push-pull coupling (9817/9818) | 24 |
| Contact information, sealing plugs, tools | 25 |
| Protection caps, dust caps | 26-28 |

MIL-DTL-5015 with Crimp Rear Release Contacts



**MS3450
WALL MOUNTING
RECEPTACLE**

**MS3451
CABLE CONNECTING
RECEPTACLE**

**MS3452
BOX MOUNTING
RECEPTACLE**



**MS3454
JAM NUT RECEPTACLE**



**MS3456
PLUG WITH
THREADED COUPLING**



**MS3459
PLUG WITH
SELF-LOCKING
COUPLING NUT**



**COMMERCIAL QUICK
DISCONNECT PLUG
WITH/WITHOUT
LANYARD**

AMPHENOL BROADENS THEIR MS/STANDARD FAMILY OF CONNECTORS WITH THE MIL-DTL-5015 CRIMP REAR RELEASE SERIES

This series provides an improved alternative to the older MIL-C-5015 solder type. It bridges the gap between an old connector standard and the environmental and high performance needs of current technologies.

DESIGN CHARACTERISTICS

- Medium to heavy weight environmental cylindrical
- MS345() series intermateable with existing MIL-DTL-5015 solder or crimp versions on existing equipment
- Captive coupling nut mechanism, utilizes retaining rings in combination with "L" washers to prevent inadvertent disassembly
- Multiple interlock systems ensure permanent insert retention
- Positive control of dielectric separation with guaranteed ease of contact insertion
- Positive contact retention provided by a closely toleranced damage-proof metal retention clip
- Completely sealed against environmental extremes with -
 - Individual contact seals (conical risers on pin interface)
 - Interfacial seals between contacts
 - Peripheral gasket shell-to-shell seals
 - Redundant rear wire seals and insert-to-shell seals

CUSTOMER OPTIONS

- Seven mounting styles, in shell sizes 8 to 40
- Threaded coupling or self-locking plug (MS3459) with an internal ratcheting mechanism to prevent unmating due to vibration and shock, eliminating the need for safety wiring
- Proprietary quick disconnect plug, with or without lanyard available
- Classes include aluminum or stainless steel shells, or firewall capability
- Mil-Spec and custom proprietary versions available
- Some styles are supplied to McDonnell Douglas Specification BAN 7025, DC60 Series
- Accommodation of contact sizes 0 to 16
- Over 100 insert arrangement patterns available, accommodating from a minimum of 1 to a maximum of 85 circuits
- Alternate positioning available
- High power RADSOK socket contacts available

NOTE: MIL-C-5015 is superseded to MIL-DTL-5015 for all Amphenol/Matrix rear release crimp type contacts.

Amphenol Matrix 5015 Connector With RADSOK® Contacts

FOR HIGH POWER APPLICATIONS

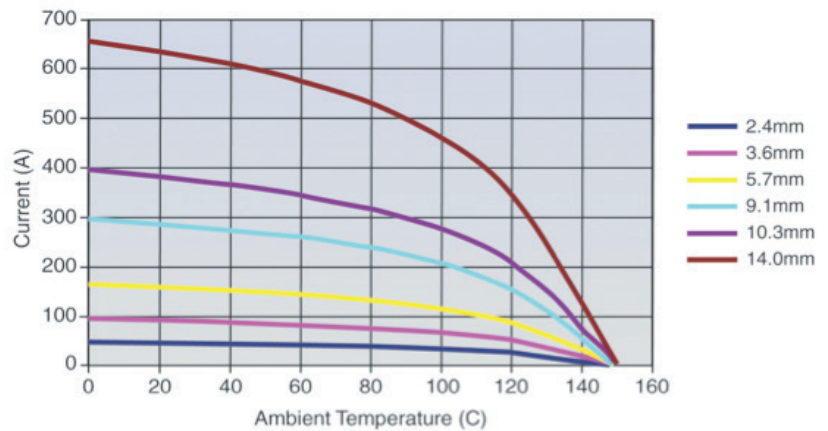
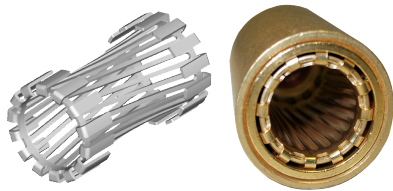
- Completely environmentally sealed with contact seals, gaskets, wire seals and insert-to-shell seals
- Special design enhanced with RADSOK contacts in the plug or receptacle instead of standard rear release crimp contacts
- All the shell styles and finishes of the Matrix 5015 family are available, including firewall styles and non-decoupling style
- Recommended for applications up to 150° operating temperature
- Up to 40% increased current carrying capability
- RADSOK contacts provide high amperage capability with minimal voltage loss and low insertion forces
- The RADSOK contact has a hyperbolic, stamped grid configuration with the socket circular. As a male pin is inserted, axial members in the female socket deflect, enabling high current flow across the connection with minimal voltage loss



RADSOK

| Standard Contacts | |
|-------------------|------|
| Size | Amps |
| 8 | 46 |
| 4 | 80 |
| 0 | 150 |

| RADSOK Contacts | | |
|-----------------|------|----------------|
| Size | Amps | Cartridge size |
| 8 | 70 | 3.6 MM |
| 4 | 120 | 5.7MM |
| 0 | 250 | 9.1MM |



NEW RoHS FINISHES

BLACK ZINC NICKEL IS AMPHENOL'S 2ND RoHS COMPLIANT PLATING ALTERNATIVE TO CADMIUM

Amphenol is now offering a new RoHS compliant alternative to Cadmium. Black Zinc Nickel is a non-reflective and conductive black finish approved for 500 hrs salt spray making it an excellent choice for harsh environments. Black Zinc Nickel has been qualified by the DLA. Black Zinc Nickel is compatible with other platings and available on a wide variety of accessories.

AMPHENOL'S DURMALON™

Durmalon, like Olive-Drab Cadmium plating (Class W), meets 500 hours of dynamic salt spray, combined with 500 mating cycles and meets specified millivolt drop shell-to-shell conductivity. Durmalon also meets a 200° C temperature rating. Durmalon has been proven to meet this requirement as well as Potassium Formate-Deicer fluid testing performed by Boeing.



BLACK ZINC NICKLE FINISH

Insert Availability and Identification

| Insert Arrangement | Service Rating | Total Contacts | Contact Size | | | | | Insert Arrangement | Service Rating | Total Contacts | Contact Size | | | | |
|--------------------|----------------|----------------|--------------|---|---|----|----|--------------------|----------------|----------------|--------------|---|---|----|----|
| | | | 0 | 4 | 8 | 12 | 16 | | | | 0 | 4 | 8 | 12 | 16 |
| 8S-1 | A | 1 | | | | | 1 | 18-24 | A/Inst. | 10 | | | | | 10 |
| 10S-2 | A | 1 | | | | | 1 | 18-27• | D | 3 | | | | 2 | 1 |
| 10SL-3 | A | 3 | | | | | 3 | 18-28• | D | 3 | | | | 2 | 1 |
| 10SL-4 | A | 2 | | | | | 2 | 20-2 | D | 1 | 1 | | | | |
| 12S-1 | A | 2 | | | | | 2 | 20-4 | D | 4 | | | | 4 | |
| 12S-2 | A | 2 | | | | | 2 | 20-7 | D/A | 8 | | | | | 8 |
| 12S-3 | A | 2 | | | | | 2 | 20-8 | Inst. | 6 | | | 2 | | 4 |
| 12S-4 | D | 1 | | | | | 1 | 20-14 | A | 5 | | | 2 | 3 | |
| 12-5 | D | 1 | | | | 1 | | 20-15 | A | 7 | | | | 7 | |
| 14S-2 | Inst. | 4 | | | | | 4 | 20-16 | A | 9 | | | | 2 | 7 |
| 14-3 | A | 1 | | | 1 | | | 20-17 | A | 6 | | | | 5 | 1 |
| 14S-5 | Inst. | 5 | | | | | 5 | 20-18 | A | 9 | | | | 3 | 6 |
| 14S-6 | Inst. | 6 | | | | | 6 | 20-19 | A | 3 | | | 3 | | |
| 14S-7 | A | 3 | | | | | 3 | 20-21 | A | 9 | | | | 1 | 8 |
| 14S-9** | A | 2 | | | | | 2 | 20-22 | A | 6 | | | 3 | | 3 |
| 14S-10 | Inst. | 4 | | | | | 4 | 20-24 | A | 4 | | | 2 | | 2 |
| 14S-11 | Inst. | 4 | | | | | 4 | 20-27 | A | 14 | | | | | 14 |
| 14S-12 | A | 3 | | | | | 3 | 20-29 | A | 17 | | | | | 17 |
| 14S-13 | A | 3 | | | | | 3 | 20-32 | D/A | 8 | | | | | 8 |
| 16S-1 | A | 7 | | | | | 7 | 20-33 | A | 11 | | | | | 11 |
| 16-2* | E | 1 | | | | 1 | | 22-2 | D | 3 | | | 3 | | |
| 16S-8 | A | 5 | | | | | 5 | 22-5 | D | 6 | | | | 2 | 4 |
| 16-9 | A | 4 | | | | 2 | 2 | 22-6* | D | 3 | | | 2 | | 1 |
| 16-10 | A | 3 | | | | 3 | | 22-7* | E | 1 | 1 | | | | |
| 16-11 | A | 2 | | | | 2 | | 22-10* | E | 4 | | | | | 4 |
| 16-12 | A | 1 | | 1 | | | | 22-11* | B | 2 | | | | | 2 |
| 16-13 | A | 2 | | | | 2 | | 22-14 | A | 19 | | | | | 19 |
| 18-1 | A/Inst. | 10 | | | | | 10 | 22-19 | A | 14 | | | | | 14 |
| 18-4 | D | 4 | | | | | 4 | 22-21 | A | 3 | 1 | | | | 2 |
| 18-5• | D | 3 | | | | 2 | 1 | 22-22 | A | 4 | | | 4 | | |
| 18-6* | D | 1 | | 1 | | | | 22-23 | D/A | 8 | | | | 8 | |
| 18-8 | A | 8 | | | | 1 | 7 | 22-30 | A | 19 | | | | | 19 |
| 18-9 | Inst. | 7 | | | | 2 | 5 | 22-32 | D | 6 | | | | 2 | 4 |
| 18-10** | A | 4 | | | | 4 | | 24-2 | D | 7 | | | | 7 | |
| 18-11 | A | 5 | | | | 5 | | 24-5** | A | 16 | | | | | 16 |
| 18-12 | A | 6 | | | | | 6 | | | | | | | | |
| 18-13 | A | 4 | | | 1 | 3 | | | | | | | | | |
| 18-15 | A | 4 | | | | 4 | | | | | | | | | |
| 18-17 | Inst. | 7 | | | | 2 | 5 | | | | | | | | |
| 18-18 | Inst. | 7 | | | | 2 | 5 | | | | | | | | |
| 18-19** | A | 10 | | | | | 10 | | | | | | | | |
| 18-22** | D | 3 | | | | | 3 | | | | | | | | |
| 18-23 | A/Inst. | 10 | | | | | 10 | | | | | | | | |

* Consult Amphenol Aerospace for availability

** Inactive for new design

• Socket Only

Insert Availability and Identification

| Insert Arrangement | Service Rating | Total Contacts | Contact Size | | | | | Insert Arrangement | Service Rating | Total Contacts | Contact Size | | | | |
|--------------------|----------------|----------------|--------------|---|---|----|----|--------------------|----------------|----------------|--------------|---|---|----|----|
| | | | 0 | 4 | 8 | 12 | 16 | | | | 0 | 4 | 8 | 12 | 16 |
| 24-7 | A | 16 | | | | 2 | 14 | 32-63 | D | 5 | | 5 | | | |
| 24-10 | A | 7 | | | 7 | | | 32-73 | A | 46 | | | | | 46 |
| 24-11 | A | 9 | | | 3 | 6 | | 36-3 | D | 6 | 3 | | | 3 | |
| 24-12 | A | 5 | | 2 | | 3 | | 36-5 | A | 4 | 4 | | | | |
| 24-15 | A | 16 | | | | | 16 | 36-6 | A | 6 | 2 | 4 | | | |
| 24-20 | D | 11 | | | | 2 | 9 | 36-7 | A | 47 | | | | 7 | 40 |
| 24-22 | D | 4 | | | 4 | | | 36-8 | A | 47 | | | | 1 | 46 |
| 24-24 | A | 16 | | | | | 16 | 36-9 | A | 31 | | 1 | 2 | 14 | 14 |
| 24-28 | Inst. | 24 | | | | | 24 | 36-10 | A | 48 | | | | | 48 |
| 28-1 | D/A | 9 | | | 3 | 6 | | 36-11 | A | 48 | | | | | 48 |
| 28-2 | D | 14 | | | | 2 | 12 | 36-12 | A | 48 | | | | | 48 |
| 28-9 | D | 12 | | | | 6 | 6 | 36-15 | D/A | 35 | | | | | 35 |
| 28-10 | D/A | 7 | | 2 | 2 | 3 | | 36-16 | A | 47 | | | | 7 | 40 |
| 28-11 | A | 22 | | | | 4 | 18 | 36-17 | A | 47 | | | | 7 | 40 |
| 28-12 | A | 26 | | | | | 26 | 36-18 | A | 31 | | 1 | 2 | 14 | 14 |
| 28-13 | A | 26 | | | | | 26 | 36-21 | A | 31 | | 1 | 2 | 14 | 14 |
| 28-15 | A | 35 | | | | | 35 | 36-52 | A | 52 | | | | | 52 |
| 28-17 | B/D/A | 15 | | | | | 15 | 40-1 | D | 30 | | | | 6 | 24 |
| 28-19* | B/D/A | 10 | | | | 4 | 6 | 40-9 | A | 47 | | | 1 | 22 | 24 |
| 28-20 | A | 14 | | | | 10 | 4 | 40-56 | A | 85 | | | | | 85 |
| 28-21 | A | 37 | | | | | 37 | | | | | | | | |
| 28-22 | D | 6 | | 3 | | | 3 | | | | | | | | |
| 32-1 | E/D | 5 | 2 | | | 3 | | | | | | | | | |
| 32-6 | A | 23 | | 2 | 3 | 2 | 16 | | | | | | | | |
| 32-7 | Inst./A | 35 | | | | 7 | 28 | | | | | | | | |
| 32-9 | D | 14 | | 2 | | | 12 | | | | | | | | |
| 32-13 | D | 23 | | | | 5 | 18 | | | | | | | | |
| 32-15 | D | 8 | 2 | | | 6 | | | | | | | | | |
| 32-16 | A | 23 | | 2 | 3 | 2 | 16 | | | | | | | | |
| 32-17 | D | 4 | | 4 | | | | | | | | | | | |
| 32-19 | E/D | 5 | 2 | | | 3 | | | | | | | | | |

* Consult Amphenol Aerospace for availability
 ** Inactive for new design

Insert Arrangements

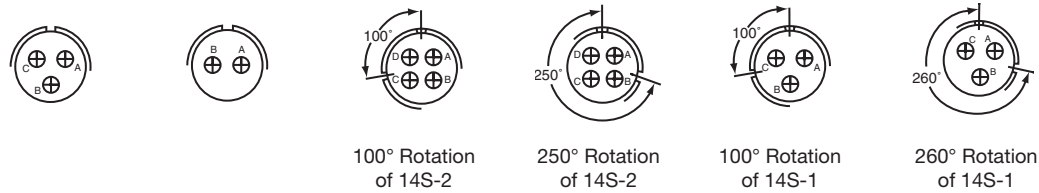
Front Face of Pin Insert or Rear Face of Socket Insert Illustrated



| Insert Arrangement | 8S-1 | 10S-2 | 10SL-3 | 10SL-4 | 12S-1 | 12S-2 | 12S-3 |
|--------------------|------|-------|--------|--------|-------|-------|-------|
| Service Rating | A | A | A*** | A | A | A | A |
| Number of Contacts | 1 | 1 | 3 | 2 | 2 | 2 | 2 |
| Contact Size | 16 | 16 | 16 | 16 | 16 | 16 | 16 |



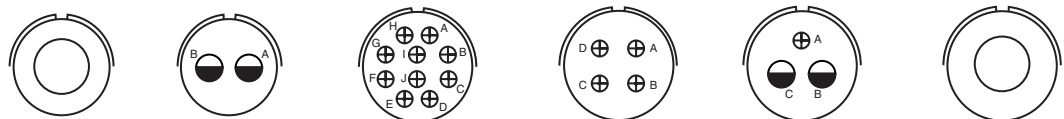
| Insert Arrangement | 12S-4 | 12-5 | 14S-2 | 14-3 | 14S-5 | 14S-6 |
|--------------------|-------|------|-------|------|-------|-------|
| Service Rating | D | D | Inst. | A | Inst. | Inst. |
| Number of Contacts | 1 | 1 | 4 | 1 | 5 | 6 |
| Contact Size | 16 | 12 | 16 | 8 | 16 | 16 |



| Insert Arrangement | 14S-7 | 14S-9** | 14S-10 | 14S-11 | 14S-12 | 14S-13 |
|--------------------|-------|---------|--------|--------|--------|--------|
| Service Rating | A | A | Inst. | Inst. | A | A |
| Number of Contacts | 3 | 2 | 4 | 4 | 3 | 3 |
| Contact Size | 16 | 16 | 16 | 16 | 16 | 16 |



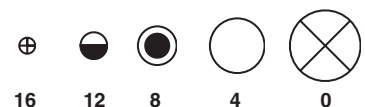
| Insert Arrangement | 16S-1 | 16-2* | 16S-8 | 16-9 | 16-10 | 16-11 |
|--------------------|-------|-------|-------|------|-------|-------|
| Service Rating | A | E | A | A | A | A |
| Number of Contacts | 7 | 1 | 5 | 2 | 3 | 2 |
| Contact Size | 16 | 12 | 16 | 12 | 12 | 12 |



| Insert Arrangement | 16-12 | 16-13 | 18-1 | 18-4 | 18-5 • | 18-6* |
|--------------------|-------|-------|---------------------------------|------|--------|-------|
| Service Rating | A | A | B, C, F, G = A; Bal. = Inst. | D | D | D |
| Number of Contacts | 1 | 2† | 10 | 4 | 2 | 1 |
| Contact Size | 4 | 12 | 16 | 16 | 12 | 16 |

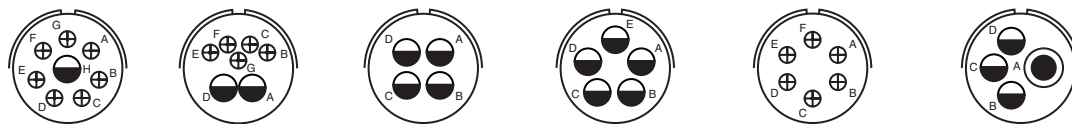
* Consult Amphenol Aerospace for availability.
 ** Inactive for new design
 *** Service rating Inst. Class K
 • Socket only
 † One Iron contact and one Constantan contact

CONTACT LEGEND

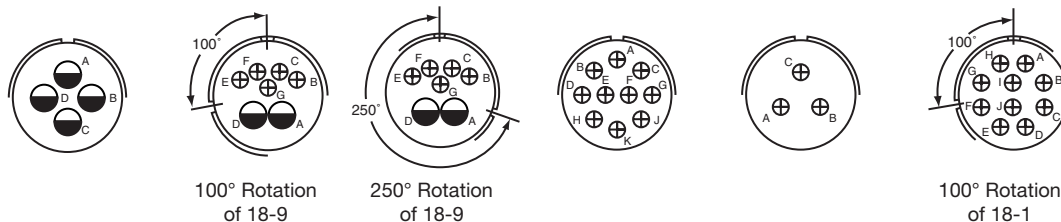


Insert Arrangements

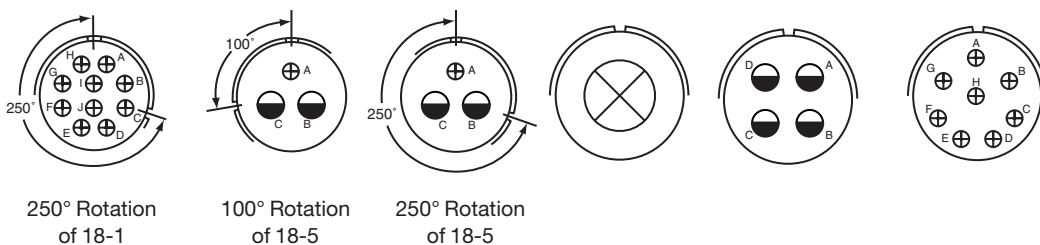
Front Face of Pin Insert or Rear Face of Socket Insert Illustrated



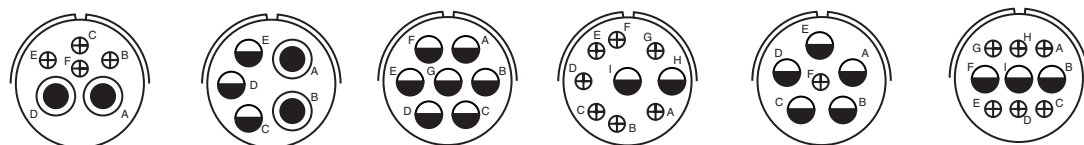
| Insert Arrangement | 18-8* | | 18-9 | | 18-10** | | 18-11 | | 18-12 | | 18-13 | |
|--------------------|-------|----|-------|----|---------|--|-------|--|-------|--|-------|----|
| Service Rating | A | | Inst. | | A | | A | | A | | A | |
| Number of Contacts | 1 | 7 | 2 | 5 | 4 | | 5 | | 6 | | 1 | 3 |
| Contact Size | 12 | 16 | 12 | 16 | 12 | | 12 | | 16 | | 8 | 12 |



| Insert Arrangement | 18-15 | | 18-17 | | 18-18 | | 18-19** | | 18-22** | | 18-23 | |
|--------------------|-------|--|-------|----|-------|----|---------|--|---------|--|---------------------------------|--|
| Service Rating | A | | Inst. | | Inst. | | A | | D | | B, C, F, G = A; Bal. = Inst. | |
| Number of Contacts | 4†† | | 2 | 5 | 2 | 5 | 10 | | 3 | | 10 | |
| Contact Size | 12 | | 12 | 16 | 12 | 16 | 16 | | 16 | | 16 | |



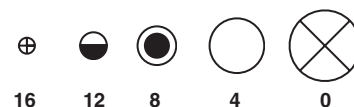
| Insert Arrangement | 18-24 | | 18-27• | | 18-28• | | 20-2 | | 20-4 | | 20-7 | |
|--------------------|------------------------------|--|--------|----|--------|----|------|--|------|--|----------------------------------|--|
| Service Rating | B, C, F, G = A; Bal. = Inst. | | D | | D | | D | | D | | A, B, G, H = D C, D, E, F = A | |
| Number of Contacts | 10 | | 2 | 1 | 2 | 1 | 1 | | 4 | | 8 | |
| Contact Size | 16 | | 12 | 16 | 12 | 16 | 0 | | 12 | | 16 | |



| Insert Arrangement | 20-8* | | 20-14 | | 20-15 | | 20-16 | | 20-17 | | 20-18 | |
|--------------------|-------|----|-------|----|-------|--|-------|----|-------|----|-------|----|
| Service Rating | Inst. | | A | | A | | A | | A | | A | |
| Number of Contacts | 2 | 4 | 2 | 3 | 7 | | 2 | 7 | 5 | 1 | 3 | 6 |
| Contact Size | 8 | 16 | 8 | 12 | 12 | | 12 | 16 | 12 | 16 | 12 | 16 |

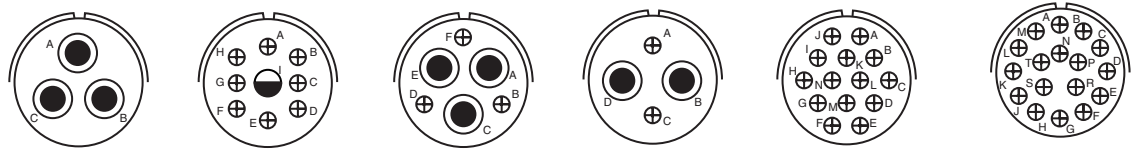
* Consult Amphenol Aerospace for availability.
 ** Inactive for new design
 • Socket only
 †† A, C = Iron; B, D = Constantan

CONTACT LEGEND

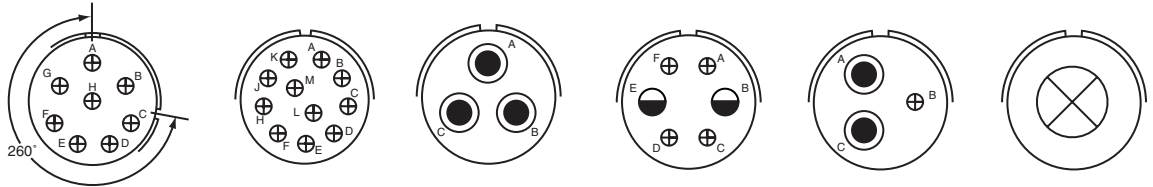


Insert Arrangements

Front Face of Pin Insert or Rear Face of Socket Insert Illustrated

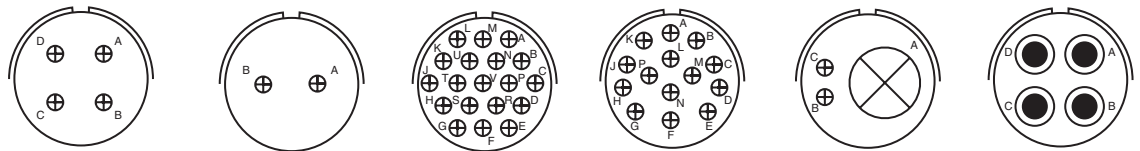


| Insert Arrangement | 20-19 | 20-21 | 20-22 | 20-24 | 20-27 | 20-29 |
|--------------------|-------|---------|--------|--------|-------|-------|
| Service Rating | A | A | A | A | A | A |
| Number of Contacts | 3 | 1 8 | 3 3 | 2 2 | 14 | 17 |
| Contact Size | 8 | 12 16 | 8 16 | 8 16 | 16 | 16 |

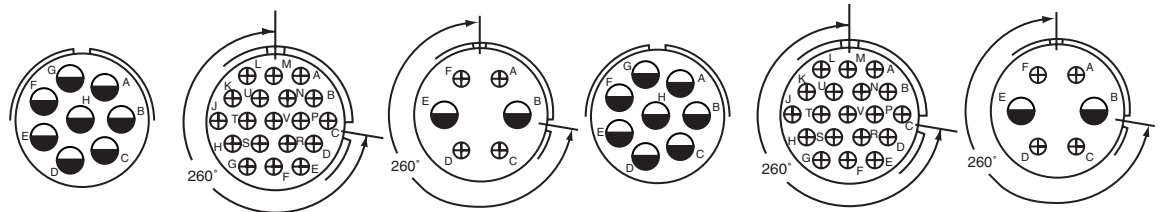


260° Rotation of 20-7

| Insert Arrangement | 20-32 | 20-33 | 22-2 | 22-5 | 22-6** | 22-7* |
|--------------------|--------------------------|-------|------|---------|--------|-------|
| Service Rating | A, B, G, H = D; Bal. = A | A | D | D | D | E |
| Number of Contacts | 8 | 11 | 3 | 2 4 | 2 1 | 1 |
| Contact Size | 16 | 16 | 8 | 12 16 | 8 16 | 0 |



| Insert Arrangement | 22-10* | 22-11* | 22-14 | 22-19 | 22-21 | 22-22 |
|--------------------|--------|--------|-------|-------|--------|-------|
| Service Rating | E | B | A | A | A | A |
| Number of Contacts | 4 | 2 | 19 | 14 | 1 2 | 4 |
| Contact Size | 16 | 16 | 16 | 16 | 0 16 | 8 |



260° Rotation of 22-14

260° Rotation of 22-5

260° Rotation of 22-14

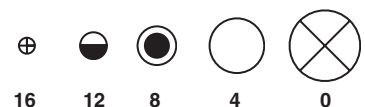
260° Rotation of 22-5

| Insert Arrangement | 22-23 | 22-30 | 22-32 | 22-23 | 22-30 | 22-32 |
|--------------------|-----------------|-------|---------|-----------------|-------|---------|
| Service Rating | H = D; Bal. = A | A | D | H = D; Bal. = A | A | D |
| Number of Contacts | 8 | 19 | 2 4 | 8 | 19 | 2 4 |
| Contact Size | 12 | 16 | 12 16 | 12 | 16 | 12 16 |

*Consult Amphenol Aerospace for availability.

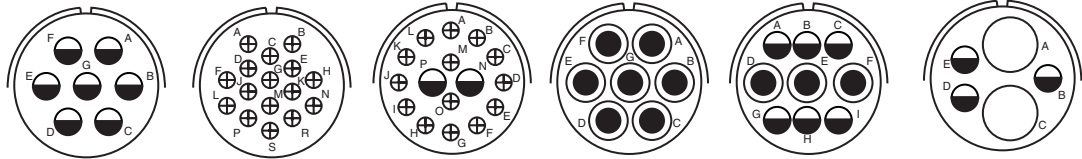
** Inactive for new design

CONTACT LEGEND

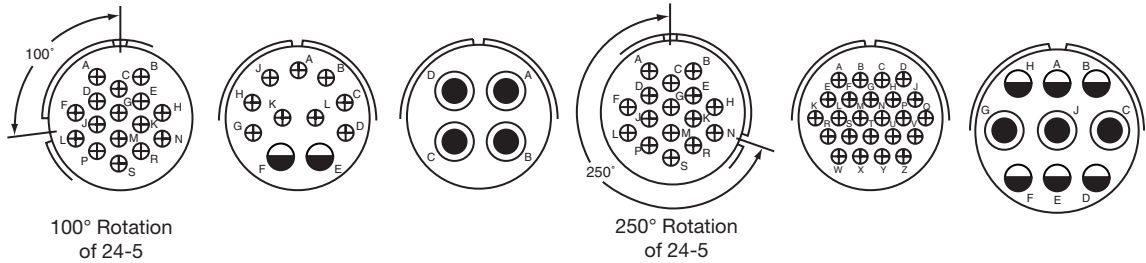


Insert Arrangements

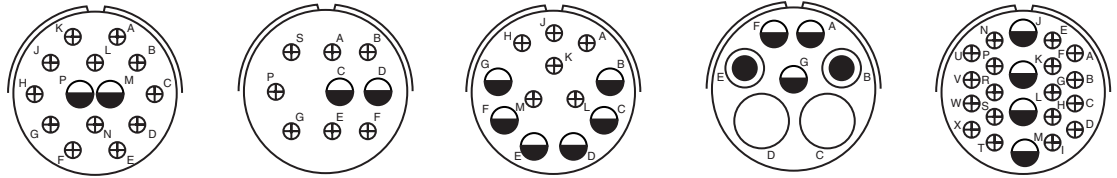
Front Face of Pin Insert or Rear Face of Socket Insert Illustrated



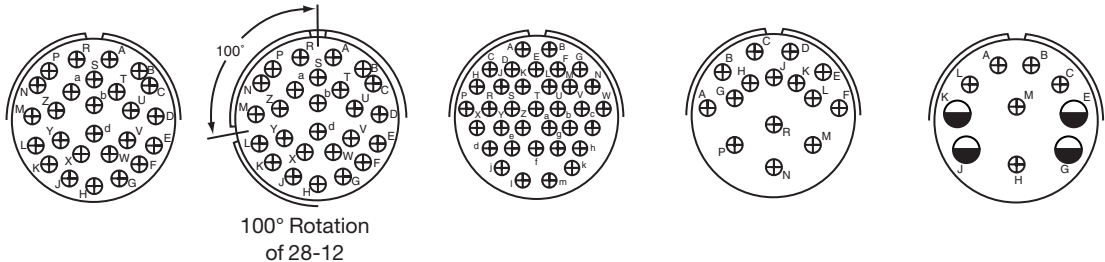
| Insert Arrangement | 24-2 | 24-5** | 24-7 | 24-10 | 24-11 | 24-12 |
|--------------------|------|--------|---------|-------|--------|--------|
| Service Rating | D | A | A | A | A | A |
| Number of Contacts | 7 | 16 | 2 14 | 7 | 3 6 | 2 3 |
| Contact Size | 12 | 16 | 12 16 | 8 | 8 12 | 4 12 |



| Insert Arrangement | 24-15 | 24-20 | 24-22 | 24-24 | 24-28 | 28-1 |
|--------------------|--------|-------|-------|-------|-------|--------------------------|
| Service Rating | A | D | D | A | Inst. | A, J, E = D; Bal. = A |
| Number of Contacts | 16 1 | 9 | 4 | 16 | 24 | 2 7 |
| Contact Size | 16 8 | 16 | 8 | 16 | 16 | 12 6 |



| Insert Arrangement | 28-2 | 28-4* | 28-9 | 28-10 | 28-11 |
|--------------------|---------|-----------------------|---------|-----------------|---------|
| Service Rating | D | G, P, S = E; Bal. = D | D | G = D, Bal. = A | A |
| Number of Contacts | 2 12 | 2 7 | 6 6 | 2 2 3 | 4 18 |
| Contact Size | 12 16 | 12 16 | 12 16 | 4 8 12 | 12 16 |

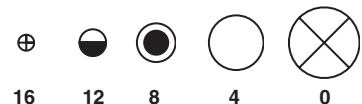


| Insert Arrangement | 28-12 | 28-13 | 28-15 | 28-17 | 28-19* |
|--------------------|-------|-------|-------|---------------------------------|---------------------------------|
| Service Rating | A | A | A | R = B; M, N, P = D; Bal. = A | H, M = B; A, B = D; Bal. = A |
| Number of Contacts | 26 | 26 | 35 | 15 | 4 6 |
| Contact Size | 16 | 16 | 16 | 16 | 12 16 |

*Consult Amphenol Aerospace for availability.

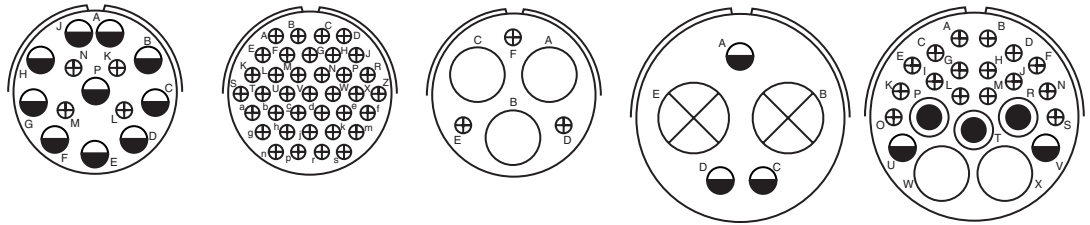
** Inactive for new design

CONTACT LEGEND

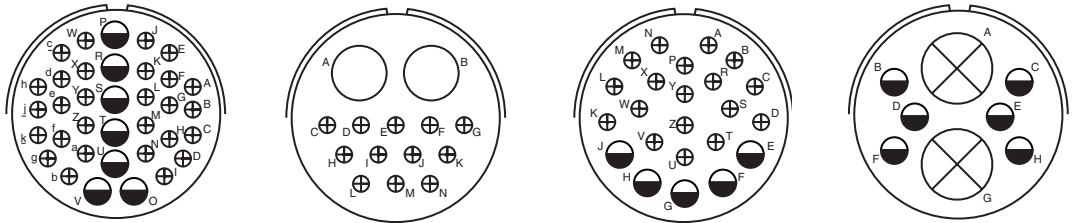


Insert Arrangements

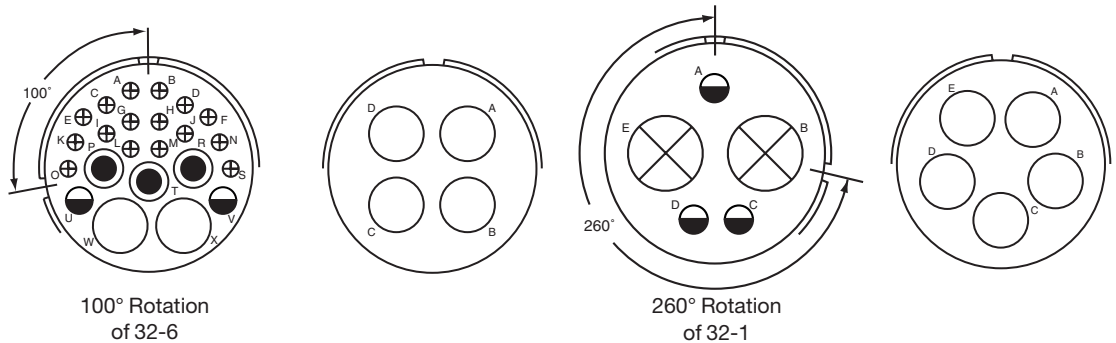
Front Face of Pin Insert or Rear Face of Socket Insert Illustrated



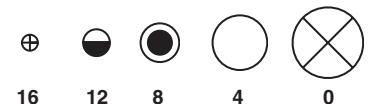
| Insert Arrangement | 28-20 | | 28-21 | | 28-22 | | 32-1 | | 32-6 | | | |
|--------------------|-------|----|-------|--|-------|----|-----------------------|----|------|---|----|----|
| Service Rating | A | | A | | D | | A = E; B, C, D, E = D | | A | | | |
| Number of Contacts | 10 | 4 | 37 | | 3 | 3 | 2 | 3 | 2 | 3 | 2 | 16 |
| Contact Size | 12 | 16 | 16 | | 4 | 16 | 0 | 12 | 4 | 8 | 12 | 16 |



| Insert Arrangement | 32-7 | | 32-9 | | 32-13 | | 32-15 | |
|--------------------|------------------------------|----|------|----|-------|----|-------|----|
| Service Rating | A, B, h, j = Inst.; Bal. = A | | D | | D | | D | |
| Number of Contacts | 7 | 28 | 2 | 12 | 5 | 18 | 2 | 6 |
| Contact Size | 12 | 16 | 4 | 16 | 12 | 16 | 0 | 12 |



| Insert Arrangement | 32-16 | | | | 32-17 | | 32-19 | | 32-63 | |
|--------------------|-------|---|----|----|-------|--|-----------------|----|-------|--|
| Service Rating | A | | | | D | | A = E, Bal. = D | | D | |
| Number of Contacts | 2 | 3 | 2 | 16 | 4 | | 2 | 3 | 5 | |
| Contact Size | 4 | 8 | 12 | 16 | 4 | | 0 | 12 | 4 | |



CONTACT LEGEND

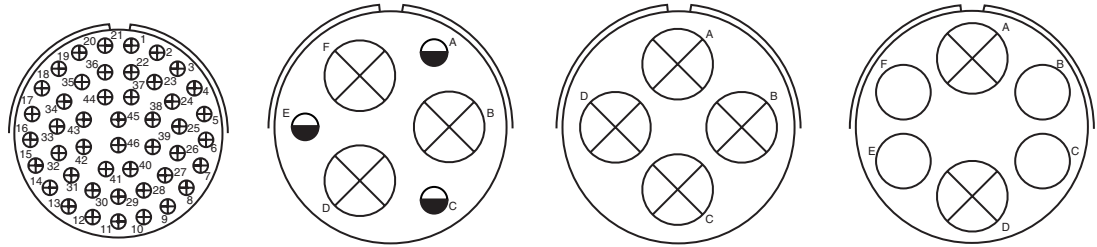
16 12 8 4 0

5015

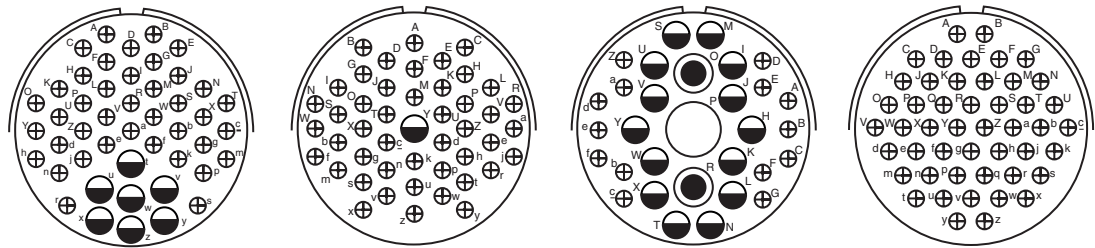
MATRIX

Insert Arrangements

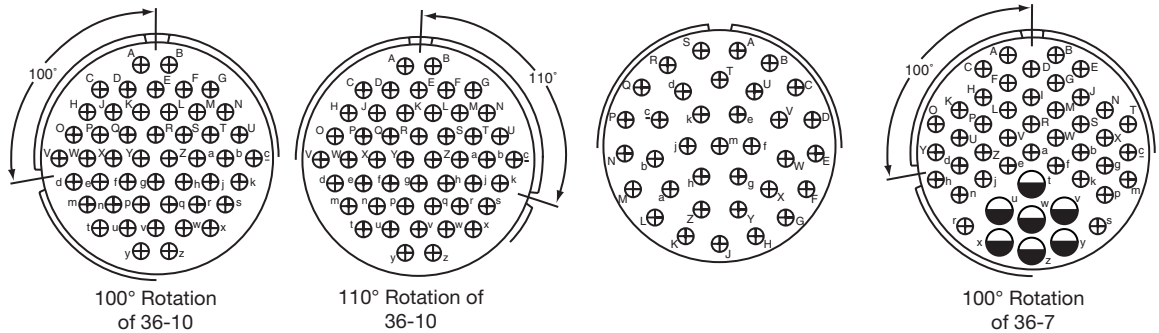
Front Face of Pin Insert or Rear Face of Socket Insert Illustrated



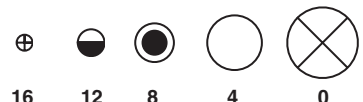
| Insert Arrangement | 32-73 | | 36-3 | | 36-5 | | | | 36-6 | |
|--------------------|-------|--|------|----|------|--|--|--|------|---|
| Service Rating | A | | D | | A | | | | A | |
| Number of Contacts | 46 | | 3 | 3 | 4 | | | | 2 | 4 |
| Contact Size | 16 | | 0 | 12 | 0 | | | | 0 | 4 |



| Insert Arrangement | 36-7 | | 36-8 | | 36-9 | | | | 36-10 | |
|--------------------|------|----|------|----|------|---|----|----|-------|--|
| Service Rating | A | | A | | A | | | | A | |
| Number of Contacts | 7 | 40 | 1 | 46 | 1 | 2 | 14 | 14 | 48 | |
| Contact Size | 12 | 16 | 12 | 16 | 4 | 8 | 12 | 16 | 16 | |



| Insert Arrangement | 36-11 | | 36-12 | | 36-15 | | | | 36-16 | |
|--------------------|-------|--|-------|--|-----------------|--|--|--|-------|----|
| Service Rating | A | | A | | M = D, Bal. = A | | | | A | |
| Number of Contacts | 48 | | 48 | | 35 | | | | 7 | 40 |
| Contact Size | 16 | | 16 | | 16 | | | | 12 | 16 |



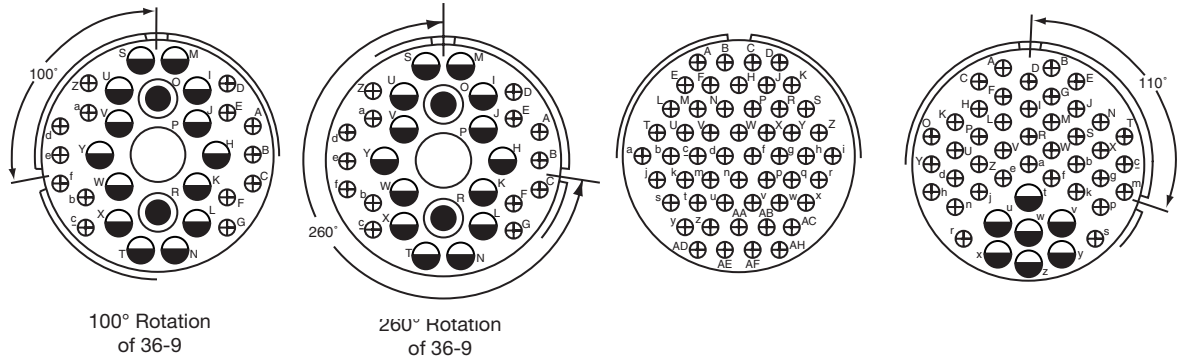
CONTACT LEGEND

16 12 8 4 0

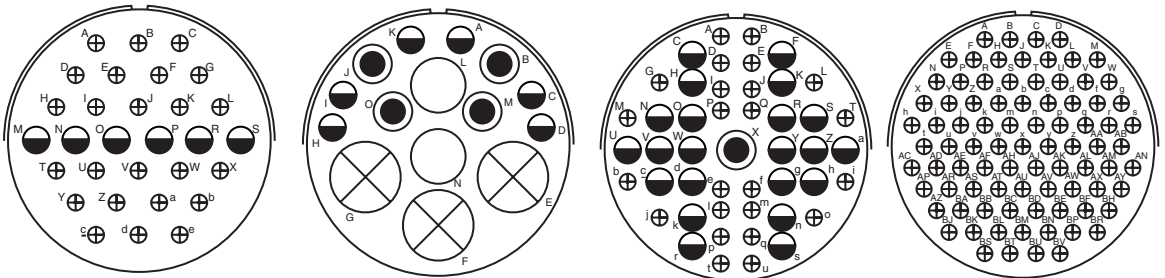
Insert Arrangements

Front Face of Pin Insert or Rear Face of Socket Insert Illustrated

110° Rotation of 36-7



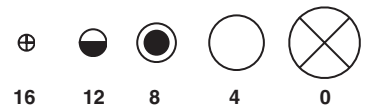
| Insert Arrangement | 36-18 | | | | 36-21 | | | | 36-52 | | | 36-17 | |
|--------------------|-------|---|----|----|-------|---|----|----|-------|--|--|-------|----|
| Service Rating | A | | | | A | | | | A | | | A | |
| Number of Contacts | 1 | 2 | 14 | 14 | 1 | 2 | 14 | 14 | 52 | | | 7 | 40 |
| Contact Size | 4 | 8 | 12 | 16 | 4 | 8 | 12 | 16 | 16 | | | 12 | 16 |



| Insert Arrangement | 40-1 | | 40-5* | | | | 40-9 | | | 40-56 |
|--------------------|------|----|-------|---|---|---|------|----|----|-------|
| Service Rating | D | | A | | | | A | | | A |
| Number of Contacts | 6 | 24 | 3 | 2 | 4 | 6 | 1 | 22 | 24 | 85 |
| Contact Size | 12 | 16 | 0 | 4 | 8 | 2 | 6 | 12 | 16 | 16 |

* Consult Amphenol Aerospace for availability.

CONTACT LEGEND



5015

MATRIX

CLASS DESCRIPTIONS

| MILITARY MIL-DTL-5015 | | AMPHENOL/MATRIX | |
|-----------------------|--|-----------------|--|
| Class L* | Aluminum shell, electroless nickel finish, fluid resistant insert | Class A | Aluminum shell, black anodize finish, fluid resistant insert |
| Class W | Aluminum shell, cadmium olive drab finish, fluid resistant insert | Class F | Aluminum shell, electroless nickel finish, fluid resistant insert |
| Class LS | Stainless steel shell, passivated, fluid resistant insert | Class W | Aluminum shell, cadmium/olive drab finish, fluid resistant insert |
| Class KT** | Firewall, steel shell, cadmium olive drab finish, non-flammable hard dielectric and fluid resistant insert | Class FS | Stainless steel shell, passivated, fluid resistant insert |
| Class KS | Firewall, stainless steel shell, passivated, non-flammable hard dielectric and fluid resistant insert | Class KT | Firewall, steel shell, cadmium olive drab finish, non-flammable hard dielectric and fluid resistant insert |
| | | Class KS | Firewall, stainless steel shell, passivated, non-flammable hard dielectric and fluid resistant insert |
| | | Class DT | Aluminum shell, Durmalon (Nickle PTFE) |
| | | Class DZ | Aluminum shell, Black Zinc Nickel* |

* Class L inactivates older Class U (aluminum, electroless nickel)

** Class KT (ferrous alloy, cadmium/olive drab) inactivates older Class K (ferrous alloy, electroless nickel)

* Not available in size 36 or 40

PERFORMANCE SPECIFICATIONS

| VOLTAGE RATING | | | | | | |
|----------------|-------|------|------|------|------|------|
| Altitude | Inst. | A | D | E | B | C |
| Sea Level | 1000 | 2000 | 2800 | 3500 | 4500 | 7000 |
| 50,000 ft. | 400 | 600 | 675 | 750 | 825 | 975 |
| 70,000 ft. | 260 | 360 | 400 | 440 | 480 | 560 |
| 110,000 ft. | 200 | 200 | 200 | 200 | 200 | 200 |

SHOCK

Wired, mated connectors are subjected to one shock in each of three mutually perpendicular axes with pulse of an approximate half sine wave of 50g magnitude for a duration of 11 milliseconds. All contacts wired in series circuit with 100 ±10 Milliampere of current flow.

OPERATING TEMPERATURE RANGE

Classes L, LS and KS have temperature range of -55°C (-75°F) to 200°C (392°F)

Classes W and KT have temperature range of -55°C (-75°F) to 175°C (347°F)

ENVIRONMENTAL SEAL

Wired, mated connectors with the specified accessory attached will meet the altitude immersion test specified in MIL-DTL-5015.

DURABILITY

Minimum of 100 mating cycles.

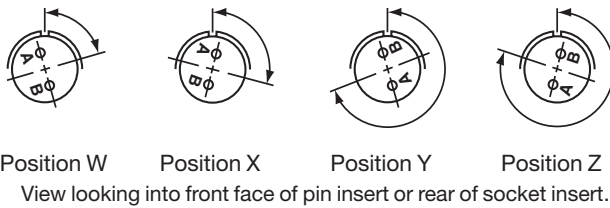
5015
MATRIX

Insert Alternate Positioning

To avoid cross-plugging problems in applications requiring the use of more than one connector of the same size and arrangement, alternate rotations are available as indicated in the accompanying charts.

As shown in the diagram below, the front face of the pin insert is rotated within the shell in a clockwise direction from the normal shell key. The socket insert would be rotated counter-clockwise the same number of degrees in respect to the normal shell key.

The charts give the W, X, Y, Z positions for the alternate rotations available for the insert arrangements of the rear release MIL-DTL-5015 series of connectors. If an insert arrangement number is not given, then there is no available alternate rotation for that pattern.



The following insert arrangements have the same alternate insert rotations for W, X, Y and Z, which are:

| Degrees | | | |
|---------|-----|-----|-----|
| W | X | Y | Z |
| 80 | 110 | 250 | 280 |

| | | | | | |
|-------|-------|-------|-------|-------|-------|
| 16-7 | 20-22 | 24-4 | 28-4 | 28-21 | 40-3 |
| 18-5 | 22-6 | 24-5 | 28-8 | 32-1 | 40-4 |
| 18-9 | 22-12 | 24-6 | 28-9 | 32-3 | 40-5 |
| 18-13 | 22-14 | 24-7 | 28-10 | 32-6 | 40-6 |
| 18-14 | 22-15 | 24-12 | 28-11 | 32-9 | 40-7 |
| 20-7 | 22-17 | 24-16 | 28-15 | 32-13 | 40-11 |
| 20-8 | 22-18 | 24-20 | 28-16 | 32-22 | |
| 20-9 | 22-19 | 24-21 | 28-17 | 36-7 | |
| 20-14 | 22-21 | 24-28 | 28-19 | 36-8 | |
| 20-16 | 24-1 | 28-1 | 28-20 | 40-2 | |

| Insert Arrangement | Degrees | | | |
|--------------------|---------|-----|-----|-----|
| | W | X | Y | Z |
| 12S-3 | 70 | 145 | 215 | 290 |
| 14S-2 | - | 120 | 240 | - |
| 14S-5 | - | 110 | - | - |
| 14S-7 | 90 | 180 | 270 | - |
| 14S-9 | 70 | 145 | 215 | 290 |
| 16S-1 | 80 | - | - | 280 |
| 16S-4 | 35 | 110 | 250 | 325 |
| 16S-8 | - | 170 | 265 | - |
| 16-9 | 35 | 110 | 250 | 325 |
| 16-10 | 90 | 180 | 270 | - |
| 16-11 | 35 | 110 | 250 | 325 |
| 16-13 | 35 | 110 | 250 | 325 |
| 18-1 | 70 | 145 | 215 | 290 |
| 18-4 | 35 | 110 | 250 | 325 |
| 18-8 | 70 | - | - | 290 |
| 18-10 | - | 120 | 240 | - |
| 18-11 | - | 170 | 265 | - |
| 18-12 | 80 | - | - | 280 |
| 18-15 | - | 120 | 240 | - |
| 18-19 | - | 120 | 240 | - |
| 18-22 | 70 | 145 | 215 | 290 |
| 20-4 | 45 | 110 | 250 | - |
| 20-15 | 80 | - | - | 280 |

| Insert Arrangement | Degrees | | | |
|--------------------|---------|-----|-----|-----|
| | W | X | Y | Z |
| 20-17 | 90 | 180 | 270 | - |
| 20-18 | 35 | 110 | 250 | 325 |
| 20-19 | 90 | 180 | 270 | - |
| 20-21 | 35 | 110 | 250 | 325 |
| 20-24 | 35 | 110 | 250 | 325 |
| 20-27 | 35 | 110 | 250 | 325 |
| 20-29 | 80 | - | - | 280 |
| 22-2 | 70 | 145 | 215 | 290 |
| 22-4 | 35 | 110 | 250 | 325 |
| 22-5 | 35 | 110 | 250 | 325 |
| 22-9 | 70 | 145 | 215 | 290 |
| 22-10 | 35 | 110 | 250 | 325 |
| 22-11 | 35 | 110 | 250 | 325 |
| 22-22 | - | 110 | 250 | - |
| 22-23 | 35 | - | 250 | - |
| 22-27 | 80 | - | 250 | 280 |
| 22-36 | 90 | - | 270 | - |
| 24-2 | 80 | - | - | 280 |
| 24-10 | 80 | - | - | 280 |
| 24-11 | 35 | 110 | 250 | 325 |
| 24-22 | 45 | 110 | 250 | - |
| 24-27 | 80 | - | - | 280 |
| 24-80 | 35 | 145 | 240 | 300 |

| Insert Arrangement | Degrees | | | |
|--------------------|---------|-----|-----|-----|
| | W | X | Y | Z |
| 28-2 | 35 | 110 | 250 | 325 |
| 28-3 | 70 | 145 | 215 | 290 |
| 28-5 | 35 | 110 | 250 | 325 |
| 28-12 | 90 | 180 | 270 | - |
| 28-18 | 70 | 145 | 215 | 290 |
| 28-22 | 70 | 145 | 215 | 290 |
| 32-2 | 70 | 145 | 215 | 290 |
| 32-7 | 80 | 125 | 235 | 280 |
| 32-15 | 35 | 110 | 250 | 280 |
| 32-17 | 45 | 110 | 250 | - |
| 32-73 | 36 | - | - | - |
| 36-3 | 70 | 145 | 215 | 290 |
| 36-5 | - | 120 | 240 | - |
| 36-6 | 35 | 110 | 250 | 325 |
| 36-9 | 80 | 125 | 235 | 280 |
| 36-10 | 80 | 125 | 235 | 280 |
| 36-15 | 60 | 125 | 245 | 305 |
| 36-52 | 72 | 144 | 216 | 288 |
| 36-66 | 110 | 250 | 260 | 280 |
| 40-1 | 65 | 130 | 235 | 300 |
| 40-9 | 65 | 125 | 255 | 310 |
| 40-10 | 65 | 125 | 255 | 310 |
| 40-56 | 72 | 144 | 216 | 288 |
| 40-62 | 30 | 130 | 220 | 290 |

| | 1. | 2. | 3. | 4. | 5. | 6. | 7. |
|---|----------------|-------------|---------------|-------------------------------|---------------|---------------------|---------------------|
| MIL-DTL-5015 with rear release crimp contacts | Connector Type | Shell Style | Service class | Shell Size-Insert Arrangement | Contact Types | Alternate Positions | Modification Number |
| MILITARY | MS | 3456 | L | 16S-8 | P | W | NA |
| COMMERCIAL | 944 | 6 | F | 16S-8 | P | W | (XXX) |

1. MILITARY CONNECTOR TYPE

| | |
|-----------|------------------------------|
| MS | Designates Military Standard |
|-----------|------------------------------|

2. SHELL STYLE - THREADED COUPLING

| | |
|-------------|--|
| 3450 | Wall mounting receptacle |
| 3451 | Cable connecting receptacle |
| 3452 | Box mounting receptacle |
| 3454 | Jam nut receptacle |
| 3456 | Straight plug |
| 3459 | Straight plug with self-locking coupling nut |

3. SERVICE CLASS

| | |
|-----------|---|
| L | Aluminum shell, electroless nickel finish, fluid resistant insert |
| W | Aluminum shell, cadmium olive drab finish, fluid resistant insert |
| LS | Stainless steel shell, passivated, fluid resistant insert |

FIREWALL STYLES ONLY AVAILABLE FOR 3450, 3456, 3459 PER MIL SPEC:

| | |
|-----------|--|
| KT | Firewall, steel shell, cadmium/olive drab finish, non-flammable hard dielectric and fluid resistant insert |
| KS | Firewall, stainless steel shell, passivated, non-flammable hard dielectric and fluid resistant insert |

Note: Class L inactivates older Class U.
Class K is inactive and has been replaced by Class KT for all applications.

4. SHELL SIZE & INSERT ARRANGEMENT SEE PAGES 3-13

First number represents Shell Size, second number is the Insert Arrangement.

5. CONTACT TYPE

| | |
|----------|--------------|
| P | Pin |
| S | Socket |
| A | Less pins |
| B | Less sockets |

6. ALTERNATE POSITIONS

“W”, “X”, “Y”, “Z” designate that insert is rotated in its shell from normal position. No letter required for normal (no rotation) position. See page 16 for description of alternate positions.

1. COMMERCIAL CONNECTOR TYPE

| | |
|------------|---|
| 944 | Designates Amphenol/Matrix Commercial Series |
| 981 | Designates self locking/Quick disconnect (+)(-) lanyard |

2. SHELL STYLE - THREADED COUPLING

| | |
|----------|-----------------------------|
| 0 | Wall mounting receptacle |
| 1 | Cable connecting receptacle |
| 2 | Box mounting receptacle |
| 4 | Jam nut receptacle |
| 6 | Straight plug |

2. SELF LOCKING/QUICK DISCONNECT (981)

| | |
|----------|--|
| 6 | Straight plug with self-locking coupling nut |
| 7 | Quick disconnect plug with lanyard |
| 8 | Quick disconnect plug without lanyard |

3. SERVICE CLASS

| | |
|---------------|--|
| A | Aluminum shell, black anodize finish, fluid resistant insert (not MIL-Spec) |
| F | Aluminum shell, electroless nickel finish, fluid resistant insert |
| FS | Stainless steel shell, passivated, fluid resistant insert |
| RS | Fluid resistant insert |
| KT | Firewall, steel shell, cadmium/olive drab finish, non-flammable hard dielectric and fluid resistant insert |
| KS | Firewall, stainless steel shell, passivated, non-flammable hard dielectric and fluid resistant insert |
| NEW DT | Aluminum shell, Durmalon (Nickle PTFE) |
| NEW DZ | Aluminum shell, Black Zinc Nickel* |

* Not available in size 36 or 40

4. SHELL SIZE & INSERT ARRANGEMENT SEE PAGES 3-13

First number represents Shell Size, second number is the Insert Arrangement.

5. CONTACT TYPE

| | |
|----------|--------|
| P | Pin |
| S | Socket |

6. ALTERNATE POSITIONS

“W”, “X”, “Y”, “Z” designate that insert is rotated in its shell from normal position. No letter required for normal (no rotation) position. See page 16 for description of alternate positions.

7. MODIFICATION NUMBER

Consult Amphenol Aerospace for information. For strain reliefs use the following modification codes:

| | |
|-------|--|
| (189) | E-nut M85049/31 configuration |
| (190) | Straight strain relief M85049/52 configuration |
| (191) | 90° strain relief M85049/51 configuration |
| (988) | RADSOK sockets (sizes 0-8 guage only) |

NEW

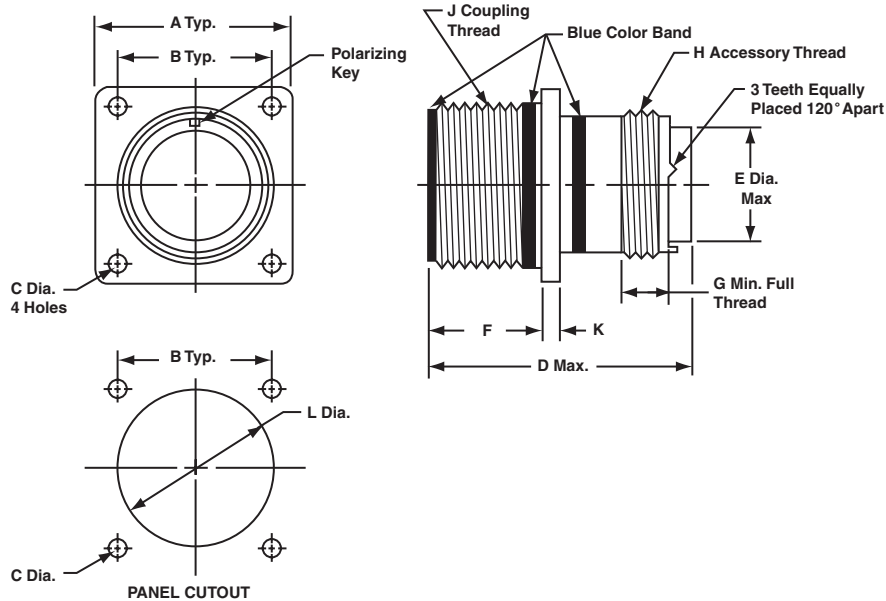
Wall Mounting Receptacle

Military (MS3450), Commercial (9440)

PART NUMBER BUILDER PAGE M16

MILITARY
MS3450

COMMERCIAL
9440



| Shell Size* | A ±.031 | B | C Dia. +.010 -.005 | | D Max. | | E Dia. Max. | F | G Min. | H Thread Class 2A | J Thread Class 2A | K | L Dia. ±.010 |
|-------------|------------|-------|--------------------------|------------|-----------------------------|-----------------------------|----------------|-----------|-----------|-------------------------|-------------------------|------|--------------------|
| | | | Class A, F, R, W | Class K | Size 16 & 12 Contacts | Size 8, 4, 0 Contacts | | | | | | | |
| 8S | .875 | .594 | .120 | .150 | 2.031 | — | .305 | .593/.562 | .290 | .5000-20 UNEF | .5000-28 UNEF | .083 | .562 |
| 10S | 1.000 | .719 | .120 | .150 | 2.031 | — | .405 | .593/.562 | .290 | .6250-24 UNEF | .6250-24 UNEF | .083 | .688 |
| 10SL | 1.000 | .719 | .120 | .150 | 2.031 | — | .405 | .593/.562 | .290 | .6250-24 UNEF | .6250-24 UNEF | .083 | .688 |
| 12 | 1.094 | .812 | .120 | .150 | 2.125 | — | .549 | .781/.750 | .290 | .7500-20 UNEF | .7500-20 UNEF | .083 | .812 |
| 12S | 1.094 | .812 | .120 | .150 | 2.031 | — | .549 | .593/.562 | .290 | .7500-20 UNEF | .7500-20 UNEF | .083 | .812 |
| 14 | 1.188 | .906 | .120 | .150 | 2.125 | — | .665 | .781/.750 | .290 | .8750-20 UNEF | .8750-20 UNEF | .083 | .938 |
| 14S | 1.188 | .906 | .120 | .150 | 2.031 | — | .665 | .593/.562 | .290 | .8750-20 UNEF | .8750-20 UNEF | .083 | .938 |
| 16 | 1.281 | .969 | .120 | .150 | 2.125 | 2.500 | .790 | .781/.750 | .290 | 1.0000-20 UNEF | 1.0000-20 UNEF | .083 | 1.062 |
| 16S | 1.281 | .969 | .120 | .150 | 2.031 | — | .790 | .593/.562 | .290 | 1.0000-20 UNEF | 1.0000-20 UNEF | .083 | 1.062 |
| 18 | 1.375 | 1.062 | .120 | .177 | 2.125 | 2.500 | .869 | .781/.750 | .290 | 1.0625-18 UNEF | 1.1250-18 UNEF | .125 | 1.188 |
| 20 | 1.500 | 1.156 | .120 | .177 | 2.125 | 2.500 | .994 | .781/.750 | .290 | 1.1875-18 UNEF | 1.2500-18 UNEF | .125 | 1.312 |
| 22 | 1.625 | 1.250 | .120 | .177 | 2.125 | 2.500 | 1.119 | .781/.750 | .290 | 1.3125-18 UNEF | 1.3750-18 UNEF | .125 | 1.438 |
| 24 | 1.750 | 1.375 | .147 | .177 | 2.125 | 2.500 | 1.244 | .843/.812 | .290 | 1.4375-18 UNEF | 1.5000-18 UNEF | .125 | 1.562 |
| 28 | 2.000 | 1.562 | .147 | .177 | 2.125 | 2.500 | 1.465 | .843/.812 | .467 | 1.7500-18 UNS | 1.7500-18 UNS | .125 | 1.812 |
| 32 | 2.250 | 1.750 | .173 | .209 | 2.125 | 2.500 | 1.715 | .906/.875 | .467 | 2.0000-18 UNS | 2.0000-18 UNS | .125 | 2.062 |
| 36 | 2.500 | 1.938 | .173 | .209 | 2.125 | 2.500 | 1.930 | .906/.875 | .467 | 2.2500-16 UN | 2.2500-16 UN | .125 | 2.312 |
| 40 | 2.750 | 2.188 | .173 | .209 | 2.125 | 2.500 | 2.145 | .906/.875 | .467 | 2.5000-16 UN | 2.5000-16 UN | .125 | 2.562 |

* Consult Amphenol Aerospace for availability of shell sizes 44 and 48.

5015

MATRIX

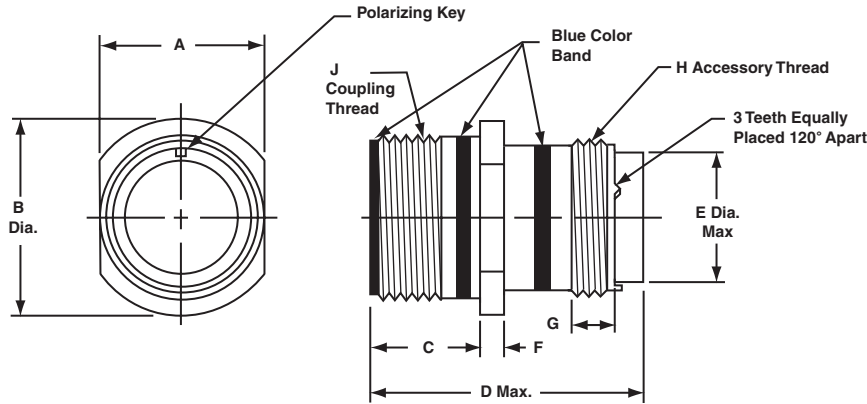
Cable Connecting Receptacle

Military (MS3451), Commercial (9441)

PART NUMBER BUILDER PAGE M16

MILITARY
MS3451

COMMERCIAL 9441



| Shell Size | A | B Dia. ±.031 | C | D Max. | | E Dia. Max. | F ±.015 | G Min. | H Thread Class 2A | J Thread Class 2A |
|------------|-------------|--------------|-----------|-----------------------|-----------------------|-------------|---------|--------|-------------------|-------------------|
| | | | | Size 16 & 12 Contacts | Size 8, 4, 0 Contacts | | | | | |
| 8S | .504/.496 | .729 | .577/.562 | 2.031 | – | .305 | .083 | .290 | .5000-20 UNEF | .5000-28 UNEF |
| 10S | .629/.621 | .854 | .577/.562 | 2.031 | – | .405 | .083 | .290 | .6250-24 UNEF | .6250-24 UNEF |
| 10SL | .629/.621 | .854 | .577/.562 | 2.031 | – | .405 | .083 | .290 | .6250-24 UNEF | .6250-24 UNEF |
| 12 | .754/.746 | .974 | .765/.750 | 2.125 | – | .549 | .083 | .290 | .7500-20 UNEF | .7500-20 UNEF |
| 12S | .754/.746 | .974 | .577/.562 | 2.031 | – | .549 | .083 | .290 | .7500-20 UNEF | .7500-20 UNEF |
| 14 | .879/.871 | 1.099 | .765/.750 | 2.125 | – | .665 | .083 | .290 | .8750-20 UNEF | .8750-20 UNEF |
| 14S | .879/.871 | 1.099 | .577/.562 | 2.031 | – | .665 | .083 | .290 | .8750-20 UNEF | .8750-20 UNEF |
| 16 | 1.005/.996 | 1.224 | .765/.750 | 2.125 | 2.500 | .790 | .083 | .290 | 1.0000-20 UNEF | 1.0000-20 UNEF |
| 16S | 1.005/.996 | 1.224 | .577/.562 | 2.031 | – | .790 | .083 | .290 | 1.0000-20 UNEF | 1.0000-20 UNEF |
| 18 | 1.131/1.121 | 1.349 | .765/.750 | 2.125 | 2.500 | .869 | .125 | .290 | 1.0625-18 UNEF | 1.1250-18 UNEF |
| 20 | 1.256/1.246 | 1.474 | .765/.750 | 2.125 | 2.500 | .994 | .125 | .290 | 1.1875-18 UNEF | 1.2500-18 UNEF |
| 22 | 1.381/1.371 | 1.599 | .765/.750 | 2.125 | 2.500 | 1.119 | .125 | .290 | 1.3125-18 UNEF | 1.3750-18 UNEF |
| 24 | 1.506/1.496 | 1.715 | .827/.812 | 2.125 | 2.500 | 1.244 | .125 | .290 | 1.4375-18 UNEF | 1.5000-18 UNEF |
| 28 | 1.756/1.746 | 1.974 | .827/.812 | 2.125 | 2.500 | 1.465 | .125 | .467 | 1.7500-18 UNS | 1.7500-18 UNS |
| 32 | 2.007/1.996 | 2.224 | .890/.870 | 2.125 | 2.500 | 1.715 | .125 | .467 | 2.0000-18 UNS | 2.0000-18 UNS |
| 36 | 2.257/2.246 | 2.474 | .890/.870 | 2.125 | 2.500 | 1.930 | .125 | .467 | 2.2500-16 UN | 2.2500-16 UN |
| 40 | 2.511/2.456 | 2.724 | .890/.870 | 2.125 | 2.500 | 2.145 | .125 | .467 | 2.5000-16 UN | 2.5000-16 UN |

* Consult Amphenol Aerospace for availability of shell sizes 44 and 48.

5015
MATRIX

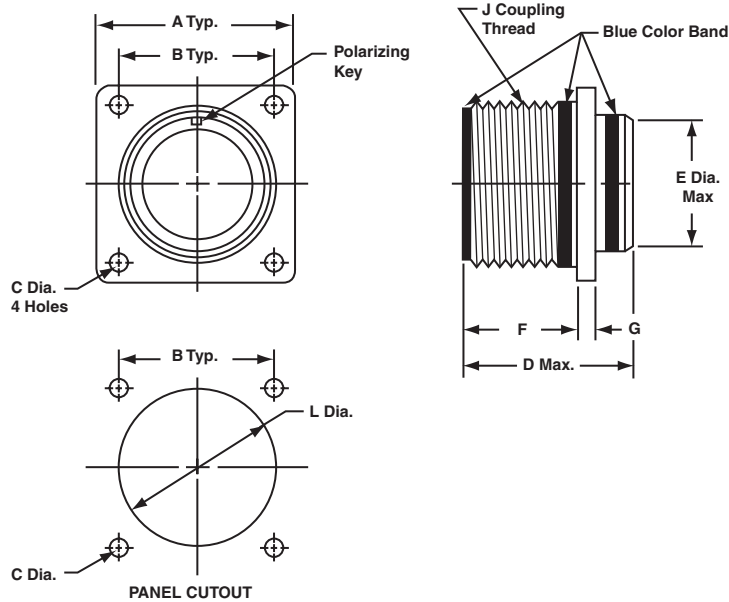
Box Mounting Receptacle

Military (MS3452), Commercial (9442)

PART NUMBER BUILDER PAGE M16

MILITARY
MS3452

COMMERCIAL
9442



| Shell Size* | A ±.031 | B | C Dia. | D Max. | | E Dia. ±.016 | F | G ±.015 | J Thread Class 2A | L Dia. ±.010 |
|-------------|------------|-------|-----------|-----------------------------|-----------------------------|--------------------|-----------|------------|-------------------------|--------------------|
| | | | | Size 16 & 12 Contacts | Size 8, 4, 0 Contacts | | | | | |
| 8S | .875 | .594 | .130/.115 | 1.662 | — | .500 | .578/.562 | .083 | .5000-28 UNEF | .562 |
| 10S | 1.000 | .719 | .130/.115 | 1.662 | — | .625 | .578/.562 | .083 | .6250-24 UNEF | .688 |
| 10SL | 1.000 | .719 | .130/.115 | 1.662 | — | .625 | .578/.562 | .083 | .6250-24 UNEF | .688 |
| 12 | 1.094 | .812 | .130/.115 | 1.662 | — | .750 | .765/.750 | .083 | .7500-20 UNEF | .812 |
| 12S | 1.094 | .812 | .130/.115 | 1.662 | — | .750 | .578/.562 | .083 | .7500-20 UNEF | .812 |
| 14 | 1.188 | .906 | .130/.115 | 1.662 | — | .875 | .765/.750 | .083 | .8750-20 UNEF | .938 |
| 14S | 1.188 | .906 | .130/.115 | 1.662 | — | .875 | .577/.562 | .083 | .8750-20 UNEF | .938 |
| 16 | 1.281 | .969 | .130/.115 | 1.662 | 1.937 | 1.000 | .765/.750 | .083 | 1.0000-20 UNEF | 1.062 |
| 16S | 1.281 | .969 | .130/.115 | 1.662 | — | 1.000 | .577/.562 | .083 | 1.0000-20 UNEF | 1.062 |
| 18 | 1.375 | 1.062 | .130/.115 | 1.662 | 1.937 | 1.062 | .765/.750 | .125 | 1.1250-18 UNEF | 1.188 |
| 20 | 1.500 | 1.156 | .130/.115 | 1.662 | 1.937 | 1.187 | .765/.750 | .125 | 1.2500-18 UNEF | 1.312 |
| 22 | 1.625 | 1.250 | .130/.115 | 1.662 | 1.937 | 1.312 | .765/.750 | .125 | 1.3750-18 UNEF | 1.438 |
| 24 | 1.750 | 1.375 | .157/.142 | 1.662 | 1.937 | 1.437 | .827/.812 | .125 | 1.5000-18 UNEF | 1.562 |
| 28 | 2.000 | 1.562 | .157/.142 | 1.662 | 1.937 | 1.750 | .827/.812 | .125 | 1.7500-18 UNS | 1.812 |
| 32 | 2.250 | 1.750 | .183/.168 | 1.662 | 1.937 | 2.000 | .988/.875 | .125 | 2.0000-18 UNS | 2.062 |
| 36 | 2.500 | 1.938 | .183/.168 | 1.662 | 1.937 | 2.250 | .988/.875 | .125 | 2.2500-16 UN | 2.312 |
| 40 | 2.750 | 2.188 | .183/.168 | 1.662 | 1.937 | 2.500 | .988/.875 | .125 | 2.5000-16 UN | 2.562 |

* Consult Amphenol Aerospace for availability of shell sizes 44 and 48.

5015

MATRIX

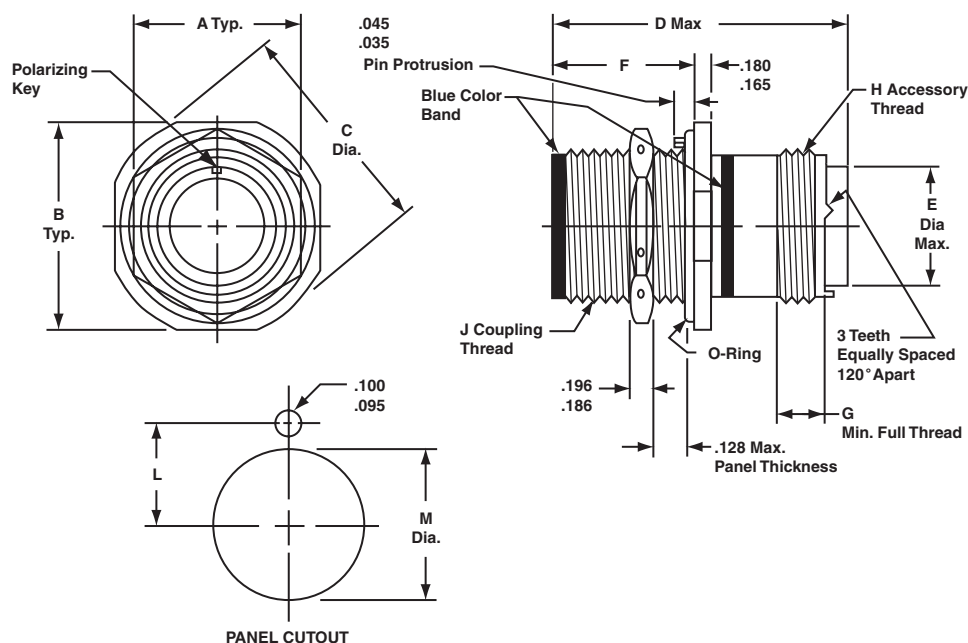
Jam Nut Receptacle

Military (MS3454), Commercial (9444)

PART NUMBER BUILDER PAGE M16

MILITARY
MS3454

COMMERCIAL 9444



| Shell Size* | A ±.010 | B ±.005 | C Dia. ±.005 | D Max. | | E Dia. Max. | F ±.005 | G Min. | H Thread Class 2A | J Thread Class 2A | Panel Cutout Dimensions | |
|-------------|---------|---------|--------------|-----------------------|-----------------------|-------------|---------|--------|-------------------|-------------------|-------------------------|---------------------|
| | | | | Size 16 & 12 Contacts | Size 8, 4, 0 Contacts | | | | | | L ±.005 | M Dia. +.015 - .000 |
| 8S | .687 | 1.187 | 1.272 | 2.031 | - | .305 | .720 | .290 | .5000-20 UNEF | .5000-28 UNEF | .323 | .505 |
| 10S | .812 | 1.312 | 1.397 | 2.031 | - | .405 | .720 | .290 | .6250-24 UNEF | .6250-24 UNEF | .385 | .630 |
| 10SL | .812 | 1.312 | 1.397 | 2.031 | - | .405 | .720 | .290 | .6250-24 UNEF | .6250-24 UNEF | .385 | .630 |
| 12 | .937 | 1.437 | 1.522 | 2.125 | - | .549 | .970 | .290 | .7500-20 UNEF | .7500-20 UNEF | .448 | .755 |
| 12S | .937 | 1.437 | 1.522 | 2.031 | - | .549 | .720 | .290 | .7500-20 UNEF | .7500-20 UNEF | .448 | .755 |
| 14 | 1.125 | 1.562 | 1.647 | 2.125 | - | .665 | .970 | .290 | .8750-20 UNEF | .8750-20 UNEF | .510 | .880 |
| 14S | 1.125 | 1.562 | 1.647 | 2.031 | - | .665 | .720 | .290 | .8750-20 UNEF | .8750-20 UNEF | .510 | .880 |
| 16 | 1.250 | 1.687 | 1.772 | 2.125 | 2.500 | .790 | .970 | .290 | 1.0000-20 UNEF | 1.0000-20 UNEF | .573 | 1.005 |
| 16S | 1.250 | 1.687 | 1.772 | 2.031 | - | .790 | .720 | .290 | 1.0000-20 UNEF | 1.0000-20 UNEF | .573 | 1.005 |
| 18 | 1.375 | 1.812 | 1.897 | 2.125 | 2.500 | .869 | .970 | .290 | 1.0625-18 UNEF | 1.1250-18 UNEF | .635 | 1.130 |
| 20 | 1.500 | 1.937 | 2.022 | 2.125 | 2.500 | .994 | .970 | .290 | 1.1875-18 UNEF | 1.2500-18 UNEF | .698 | 1.255 |
| 22 | 1.625 | 2.156 | 2.241 | 2.125 | 2.500 | 1.119 | .970 | .290 | 1.3125-18 UNEF | 1.3750-18 UNEF | .760 | 1.380 |
| 24 | 1.750 | 2.281 | 2.366 | 2.125 | 2.500 | 1.244 | .970 | .290 | 1.4375-18 UNEF | 1.5000-18 UNEF | .823 | 1.505 |
| 28 | 2.000 | 2.531 | 2.616 | 2.125 | 2.500 | 1.465 | .970 | .467 | 1.7500-18 UNS | 1.7500-18 UNS | .948 | 1.755 |
| 32 | 2.375 | 2.781 | 2.866 | 2.125 | 2.500 | 1.715 | .970 | .467 | 2.0000-18 UNS | 2.0000-18 UNS | 1.073 | 2.005 |
| 36 | 2.625 | 3.031 | 3.116 | 2.125 | 2.500 | 1.930 | .970 | .467 | 2.2500-16 UN | 2.2500-16 UN | 1.198 | 2.255 |
| 40 | 2.875 | 3.281 | 3.366 | 2.125 | 2.500 | 2.145 | .970 | .467 | 2.5000-16 UN | 2.5000-16 UN | 1.323 | 2.505 |

* Consult Amphenol Aerospace for availability of shell sizes 44 and 48.

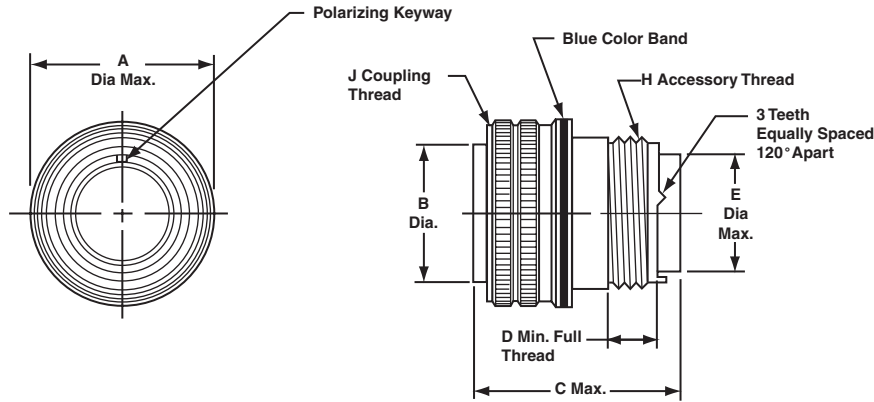
Straight Plug

Military (MS3456), Commercial (9446)

PART NUMBER BUILDER PAGE M16

MILITARY
MS3456

COMMERCIAL
9446



| Shell Size* | A Dia. Max. | B Dia. ±.005 | C Max. | | D Min. | E Dia. Max. | H Thread Class 2A | J Thread Class 2B |
|-------------|-------------|--------------|-----------------------|-----------------------|--------|-------------|-------------------|-------------------|
| | | | Size 16 & 12 Contacts | Size 8, 4, 0 Contacts | | | | |
| 8S | .844 | .360 | 2.031 | – | .290 | .305 | .5000-20 UNF | .5000-28 UNEF |
| 10S | .969 | .435 | 2.031 | – | .290 | .405 | .6250-24 UNEF | .6250-24 UNEF |
| 10SL | .969 | .441** | 2.031 | – | .290 | .405 | .6250-24 UNEF | .6250-24 UNEF |
| 12 | 1.062 | .550 | 2.125 | – | .290 | .549 | .7500-20 UNEF | .7500-20 UNEF |
| 12S | 1.062 | .550 | 2.031 | – | .290 | .549 | .7500-20 UNEF | .7500-20 UNEF |
| 14 | 1.156 | .670 | 2.125 | – | .290 | .665 | .8750-20 UNEF | .8750-20 UNEF |
| 14S | 1.156 | .670 | 2.031 | – | .290 | .665 | .8750-20 UNEF | .8750-20 UNEF |
| 16 | 1.250 | .800 | 2.125 | 2.500 | .290 | .790 | 1.0000-20 UNEF | 1.0000-20 UNEF |
| 16S | 1.250 | .800 | 2.031 | – | .290 | .790 | 1.0000-20 UNEF | 1.0000-20 UNEF |
| 18 | 1.344 | .925 | 2.125 | 2.500 | .290 | .869 | 1.0625-18 UNEF | 1.1250-18 UNEF |
| 20 | 1.469 | 1.045 | 2.125 | 2.500 | .290 | .994 | 1.1875-18 UNEF | 1.2500-18 UNEF |
| 22 | 1.594 | 1.170 | 2.125 | 2.500 | .290 | 1.119 | 1.3125-18 UNEF | 1.3750-18 UNEF |
| 24 | 1.719 | 1.295 | 2.125 | 2.500 | .290 | 1.244 | 1.4375-18 UNEF | 1.5000-18 UNEF |
| 28 | 1.969 | 1.515 | 2.125 | 2.500 | .467 | 1.465 | 1.7500-18 UNS | 1.7500-18 UNS |
| 32 | 2.219 | 1.765 | 2.125 | 2.500 | .467 | 1.715 | 2.0000-18 UNS | 2.0000-18 UNS |
| 36 | 2.469 | 1.975 | 2.125 | 2.500 | .467 | 1.930 | 2.2500-16 UN | 2.2500-16 UN |
| 40 | 2.719 | 2.225 | 2.125 | 2.500 | .467 | 2.145 | 2.5000-16 UN | 2.5000-16 UN |

* Consult Amphenol Aerospace for availability of shell sizes 44 and 48.

** Tolerance on this dimension is +.000 –.006

5015

MATRIX

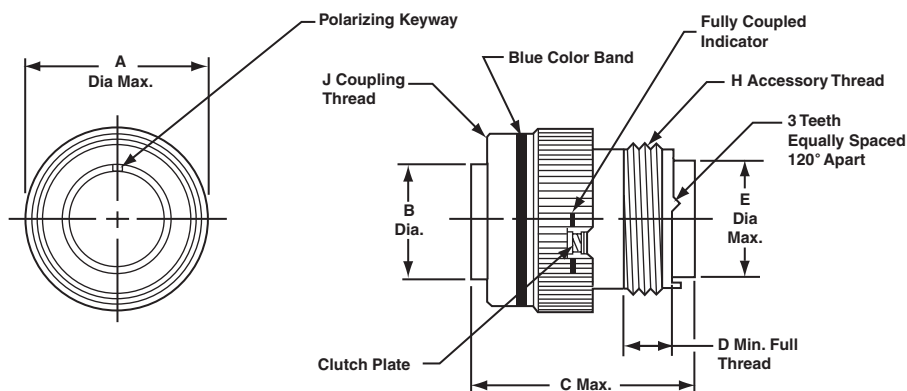
Straight Plug with Self-locking Coupling Nut

Military (MS3459), Commercial (9816)

PART NUMBER BUILDER PAGE M16

MILITARY
MS3459

COMMERCIAL 9816



| Shell Size* | A Dia. Max. | B Dia. ±.005 | C Max. | | D Min. | E Dia. Max. | H Thread Class 2A | J Thread Class 2B |
|-------------|-------------|--------------|-----------------------|-----------------------|--------|-------------|-------------------|-------------------|
| | | | Size 16 & 12 Contacts | Size 8, 4, 0 Contacts | | | | |
| 8S | .963 | .360 | 1.510 | – | .290 | .305 | .5000-20 UNEF | .5000-28 UNEF |
| 10S | 1.088 | .435 | 1.510 | – | .290 | .405 | .6250-24 UNEF | .6250-24 UNEF |
| 10SL | 1.088 | .441** | 1.510 | – | .290 | .405 | .6250-24 UNEF | .6250-24 UNEF |
| 12 | 1.213 | .550 | 1.780 | – | .290 | .549 | .7500-20 UNEF | .7500-20 UNEF |
| 12S | 1.213 | .550 | 1.510 | – | .290 | .549 | .7500-20 UNEF | .7500-20 UNEF |
| 14 | 1.358 | .670 | 1.780 | – | .290 | .665 | .8750-20 UNEF | .8750-20 UNEF |
| 14S | 1.358 | .670 | 1.510 | – | .290 | .665 | .8750-20 UNEF | .8750-20 UNEF |
| 16 | 1.463 | .800 | 1.780 | 2.500 | .290 | .790 | 1.0000-20 UNEF | 1.0000-20 UNEF |
| 16S | 1.463 | .800 | 1.510 | – | .290 | .790 | 1.0000-20 UNEF | 1.0000-20 UNEF |
| 18 | 1.588 | .925 | 1.850 | 2.500 | .290 | .869 | 1.0625-18 UNEF | 1.1250-18 UNEF |
| 20 | 1.713 | 1.045 | 1.850 | 2.500 | .290 | .994 | 1.1875-18 UNEF | 1.2500-18 UNEF |
| 22 | 1.788 | 1.170 | 1.850 | 2.500 | .290 | 1.119 | 1.3125-18 UNEF | 1.3750-18 UNEF |
| 24 | 1.963 | 1.295 | 1.850 | 2.500 | .290 | 1.244 | 1.4375-18 UNEF | 1.5000-18 UNEF |
| 28 | 2.213 | 1.515 | 1.850 | 2.500 | .467 | 1.465 | 1.7500-18 UNS | 1.7500-18 UNS |
| 32 | 2.463 | 1.765 | 1.850 | 2.500 | .467 | 1.715 | 2.0000-18 UNS | 2.0000-18 UNS |
| 36 | 2.713 | 1.975 | 1.850 | 2.500 | .467 | 1.930 | 2.2500-16 UN | 2.2500-16 UN |
| 40 | 2.963 | 2.225 | 1.850 | 2.500 | .467 | 2.145 | 2.5000-16 UN | 2.5000-16 UN |

* Consult Amphenol Aerospace for availability of shell sizes 44 and 48.

** Tolerance on this dimension is +.000 –.006

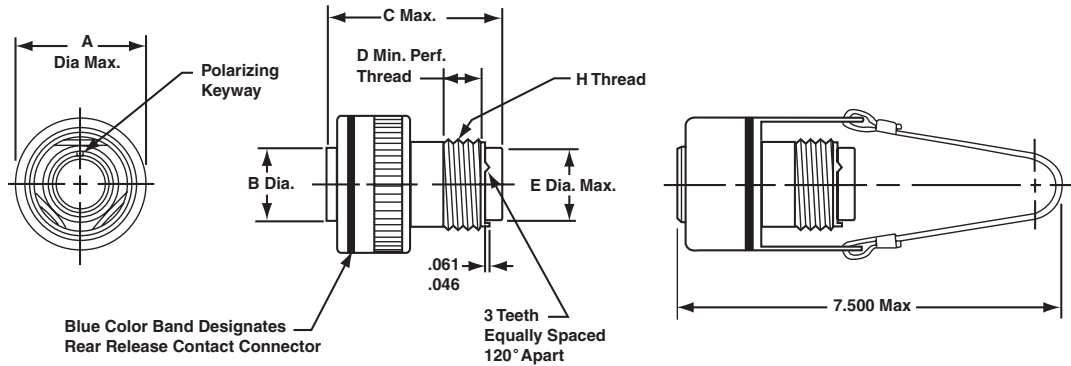
5015
MATRIX

Quick Disconnect Plug, with/without Lanyard

Commercial (9817)

PART NUMBER BUILDER PAGE M16

COMMERCIAL
9818
9817



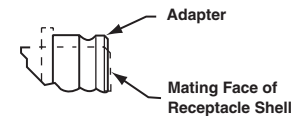
9818 CONNECTOR

9817 CONNECTOR WITH LANYARD

| Shell Size* | A Dia. Max. | B Dia. | C Max. | | D Min. | E Dia. Max. | H Thread Class 2A | Amphenol/ Matrix Part Number for Adapter Ring |
|-------------|-------------|--------|-----------------------|-----------------------|--------|-------------|-------------------|---|
| | | | Size 16 & 12 Contacts | Size 8, 4, 0 Contacts | | | | |
| 8S | 1.087 | .360 | 2.031 | - | .290 | .305 | .5000-20 UNF | 2500-008-0X08 |
| 10S | 1.224 | .435 | 2.031 | - | .290 | .405 | .6250-24 UNEF | 2500-008-0X10 |
| 10SL | 1.224 | .441 | 2.031 | - | .290 | .405 | .6250-24 UNEF | 2500-008-0X10 |
| 12 | 1.355 | .550 | 2.125 | - | .290 | .549 | .7500-20 UNEF | 2500-008-0X12 |
| 12S | 1.355 | .550 | 2.031 | - | .290 | .549 | .7500-20 UNEF | 2500-008-0X13 |
| 14 | 1.482 | .670 | 2.125 | - | .290 | .665 | .8750-20 UNEF | 2500-008-0X14 |
| 14S | 1.482 | .670 | 2.031 | - | .290 | .665 | .8750-20 UNEF | 2500-008-0X15 |
| 16 | 1.609 | .800 | 2.125 | 2.500 | .290 | .790 | 1.0000-20 UNEF | 2500-008-0X16 |
| 16S | 1.609 | .800 | 2.031 | - | .290 | .790 | 1.0000-20 UNEF | 2500-008-0X17 |
| 18 | 1.817 | .925 | 2.125 | 2.500 | .290 | .869 | 1.0625-18 UNEF | 2500-008-0X18 |
| 20 | 1.942 | 1.045 | 2.125 | 2.500 | .290 | .994 | 1.1875-18 UNEF | 2500-008-0X20 |
| 22 | 2.075 | 1.170 | 2.125 | 2.500 | .290 | 1.119 | 1.3125-18 UNEF | 2500-008-0X22 |
| 24 | 2.203 | 1.295 | 2.125 | 2.500 | .290 | 1.244 | 1.4375-18 UNEF | 2500-008-0X24 |
| 28 | 2.516 | 1.515 | 2.125 | 2.500 | .467 | 1.465 | 1.7500-18 UNS | 2500-008-0X28 |
| 32 | 2.735 | 1.765 | 2.125 | 2.500 | .467 | 1.715 | 2.0000-18 UNS | 2500-008-0X32 |
| 36 | 3.015 | 1.975 | 2.125 | 2.500 | .467 | 1.930 | 2.2500-16 UN | 2500-008-0X36 |
| 40 | 3.306 | 2.225 | 2.125 | 2.500 | .467 | 2.145 | 2.5000-16 UN | 2500-008-0X40 |

Required to mate the quick disconnect plug with receptacle. Not furnished with the quick disconnect plug and must be ordered separately.

Note: Use Locktite Material on the threads for a permanent installation to the shell. How to Order Adapter Ring



Part Number
2500-008-0 X XX

Shell Size (varies from connector shell size designation, see last column of table at left)

Finish

- 0 - Electroless Nickel
- 1 - Black Anodize
- 2 - Cadmium/Olive Drab
- 3 - Stainless Steel, Passivated

* Consult Amphenol Aerospace for availability of shell sizes 44 and 48. Receptacle Adapter Ring

MS/STANDARD CRIMP REAR RELEASE CONTACTS

| Contact Size | Wire Range | | Socket Contacts | | Pin Contacts | |
|--------------|------------|-----------------|----------------------|-----------------------------|----------------------|-----------------------------|
| | AWG | mm ² | Military Part Number | Amphenol/Matrix Part Number | Military Part Number | Amphenol/Matrix Part Number |
| 16S* | 20-16 | 0.5-1.4 | M39029/30-217 | M5100-033-1601L | M39029/29-212 | M5000-029-0016L |
| 16 | 20-16 | 0.5-1.4 | M39029/30-218 | M5100-033-1602L | M39029/29-212 | M5000-029-0016L |
| 12 | 14-12 | 2-3 | M39029/30-219 | M5100-033-0012 | M39029/29-213 | M5000-029-0012 |
| 8 | 10-8† | 5-8.5 | M39029/30-220 | M5100-033-0008 | M39029/29-214 | M5000-029-0008 |
| 4 | 6-4† | 13-21 | M39029/30-221 | M5100-033-0004 | M39029/29-215 | M5000-029-0004 |
| 0 | 2-0† | 34-60 | M39029/30-222 | M5100-033-0000 | M39029/29-216 | M5000-029-0000 |

* Shorter wire barrel

Note: For information on thermocouple contacts, consult Amphenol Aerospace

† Use MS3348 bushing kit to accommodate smaller wire.

CONTACT CURRENT RATING AND RETENTION

| Contact Size** | Current Rating | | | Contact Retention | |
|----------------|----------------|------------------|--------------------------|-------------------|-------|
| | Amperes Max. | RADSOK Amps Max. | Voltage Drops Millivolts | Axial Load | |
| | | | | lb. | N |
| 16 | 13 | N/A | 50 | 25 | 111.2 |
| 12 | 23 | N/A | 50 | 30 | 133.4 |
| 8 | 46 | 70 | 25 | 50 | 222.4 |
| 4 | 80 | 120 | 14 | 60 | 266.9 |
| 0 | 150 | 150 | 12 | 75 | 333.6 |

SEALING PLUGS

| Contact Size | Sealing Plugs | |
|--------------|----------------------|-----------------------------|
| | Military Part Number | Amphenol/Matrix Part Number |
| 16S | MS27488-16-3 | 10-405996-163 |
| 16 | MS27488-16-3 | 10-405996-163 |
| 12 | MS27488-12-3 | 10-405996-123 |
| 8 | MS27488-8-3 | 10-405996-083 |
| 4 | MS27488-4-3 | 10-405996-043 |
| 0 | MS27488-0-3 | 10-405996-003 |

** Organize individual circuits to maintain heat rise within operating temperature requirements.

CRIMPING TOOLS

| Contact Size | Wire Range | | Finished Wire Dia. Range | | Color Code | Crimping Tool Part Number | Turret or Positioner Part Number |
|--------------|------------|-----------------|--------------------------|------------|-------------|---------------------------|----------------------------------|
| | AWG | mm ² | Inch | mm | | | |
| 16S | 20-16 | 0.5-1.4 | .053-.103 | 1.34-2.62 | Red/White | M22520/1-01 | M22520/1-02 |
| 16 | 20-16 | 0.5-1.4 | .053-.103 | 1.34-2.62 | Blue/White | M22520/1-01 | M22520/1-02 |
| 12 | 14-12 | 2-3 | .085-.158 | 2.15-4.01 | Yell./White | M22520/1-01 | M22520/1-02 |
| 8 | 10-8 | 5-8.5 | .132-.255 | 3.35-6.48 | White/Red | M22520/23-01 | M22520/23-02 |
| 4 | 6-4 | 13-21 | .237-.370 | 6.01-9.40 | White/Blue | M22520/23-01 | M22520/23-04 |
| 0 | 2-0 | 34-60 | .360-.550 | 9.14-13.97 | White/Yell. | M22520/23-01 | M22520/23-05 |

INSERTION/REMOVAL TOOLS

| Contact Size | Color Code | Military Part Number | Amphenol/Matrix Part Number |
|--------------|--------------|----------------------|-----------------------------|
| 16 | Blue/White | M81969/14-03 | 10-538988-016 |
| 12 | Yellow/White | M81969/14-04 | 10-538988-012 |
| 8 | Red | M81969/14-06 | 6500-018-0008 |
| 4 | Blue | M81969/14-07 | 6500-018-0004 |
| 0 | Yellow | M81969/14-08 | 6500-018-0000 |

Amphenol installation instructions, L-2106, gives information on insertion, removal and crimping of contacts for Matrix MIL-DTL-5015 connectors.

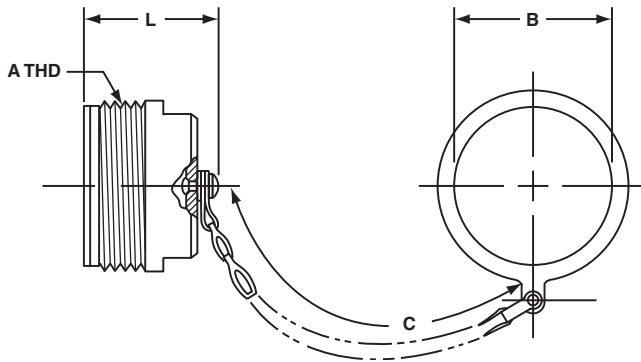
5015

MATRIX

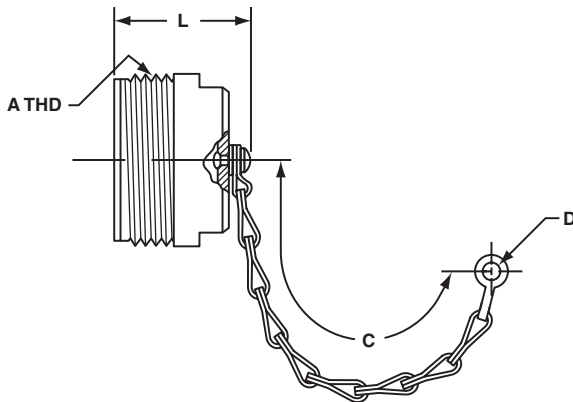
Accessories

Protection Caps – Plug

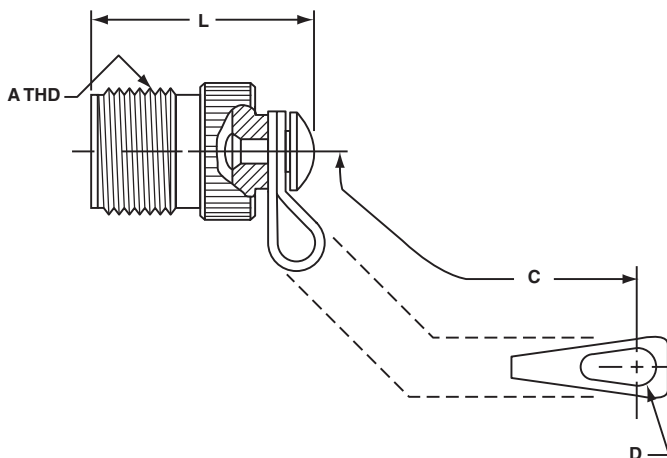
PLUG PROTECTION CAP 10-329393-



XX*



PLUG PROTECTION CAP 10-229125-XX*



PLUG PROTECTION CAP MS25042-XXDA*

| Assembly Number | A Thread Class 2A | B Dia. +.010 -0.000 | C Approx. | L Max. |
|------------------|-------------------|---------------------|-----------|--------|
| 10-329393-10 (*) | .625-24UNEF | .641 | 3.5 | 1.312 |
| 10-329393-11 (*) | .625-24UNEF | .641 | 3.5 | 1.312 |
| 10-329393-12 (*) | .750-20UNEF | .766 | 3.5 | 1.500 |
| 10-329393-14 (*) | .875-20UNEF | .891 | 3.5 | 1.500 |
| 10-329393-16 (*) | 1.000-20UNEF | 1.016 | 3.5 | 1.500 |
| 10-329393-18 (*) | 1.125-18UNEF | 1.141 | 3.5 | 1.500 |
| 10-329393-20 (*) | 1.250-18UNEF | 1.266 | 4.0 | 1.500 |
| 10-329393-22 (*) | 1.375-18UNEF | 1.391 | 4.0 | 1.500 |
| 10-329393-24 (*) | 1.500-18UNEF | 1.641 | 4.5 | 1.500 |
| 10-329393-28 (*) | 1.750-18UNS | 1.891 | 4.5 | 1.500 |
| 10-329393-32 (*) | 2.000-18UNS | 2.078 | 5.0 | 1.500 |
| 10-329393-36 (*) | 2.250-16UN | 2.328 | 5.0 | 1.500 |
| 10-329393-40 (*) | 2.500-16UN | 2.641 | 5.0 | 1.500 |

* 3 = OD Cadmium Plating
G = Electroless Nickel Plating

| Assembly Number | A Thread Class 2A | B Dia. +.010 -0.000 | C Approx. | L Max. |
|------------------|-------------------|---------------------|-----------|--------|
| 10-329393-44 (*) | 2.750-16UN | 2.891 | 6.0 | 1.500 |

| Assembly Number | A Thread Class 2A | C Approx. | D Ref. | L Max. |
|-----------------|-------------------|-----------|--------|--------|
| 10-229125-10 | .625-24NEF | 3.0 | .140 | 1.233 |
| 10-229125-12 | .750-20UNEF | 3.5 | .140 | 1.421 |
| 10-229125-14 | .875-20UNEF | 3.5 | .140 | 1.421 |
| 10-229125-16 | 1.000-20UNEF | 3.5 | .140 | 1.421 |
| 10-229125-18 | 1.125-18NEF | 3.5 | .140 | 1.421 |
| 10-229125-20 | 1.250-18NEF | 3.5 | .193 | 1.421 |
| 10-229125-22 | 1.375-18NEF | 3.5 | .193 | 1.421 |
| 10-229125-24 | 1.500-18NEF | 4.5 | .193 | 1.421 |

| Assembly Number | A Thread Class 2A | C Approx. | D Ref. | L Max. |
|-----------------|-------------------|-----------|--------|--------|
| 10-229125-28 | 1.750-18NS | 4.5 | .193 | 1.421 |
| 10-229125-32 | 2.000-18NS | 5.0 | .193 | 1.421 |
| 10-229125-36 | 2.250-16UN | 5.0 | .193 | 1.421 |
| 10-229125-40 | 2.500-16UN | 5.0 | .193 | 1.421 |

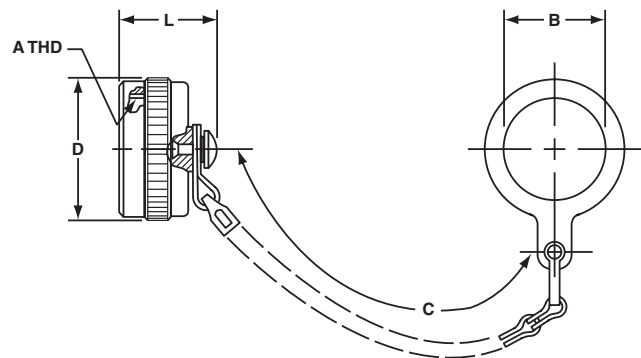
| MS Number | A Thread Class 2A | B Dia. +.010 -0.005 | C Approx. | L Max. |
|--------------|-------------------|---------------------|-----------|--------|
| MS25042-8DA | .500-28UNEF | .156 | 4.00 | .969 |
| MS25042-10DA | .625-24UNEF | .156 | 4.00 | .969 |
| MS25042-12DA | .750-20UNEF | .156 | 4.50 | 1.156 |
| MS25042-14DA | .875-20UNEF | .156 | 4.50 | 1.156 |
| MS25042-16DA | 1.000-20UNEF | .156 | 4.50 | 1.156 |
| MS25042-18DA | 1.125-18UNEF | .156 | 4.50 | 1.156 |
| MS25042-20DA | 1.250-18UNEF | .187 | 5.00 | 1.156 |
| MS25042-22DA | 1.375-18UNEF | .187 | 5.00 | 1.156 |
| MS25042-24DA | 1.500-18UNEF | .187 | 5.50 | 1.156 |
| MS25042-28DA | 1.750-18UNS | .187 | 7.75 | 1.156 |
| MS25042-32DA | 2.000-18UNS | .218 | 7.75 | 1.156 |
| MS25042-36DA | 2.250-16UN | .218 | 7.75 | 1.156 |
| MS25042-40DA | 2.500-16UN | .218 | 7.75 | 1.156 |

* Protective caps are illustrated with sash chains and are available with beaded chains or without chains. Optional terminations are also available. Consult Amphenol Aerospace when ordering.

RECEPTACLE PROTECTION CAP MS25043-XXDA*

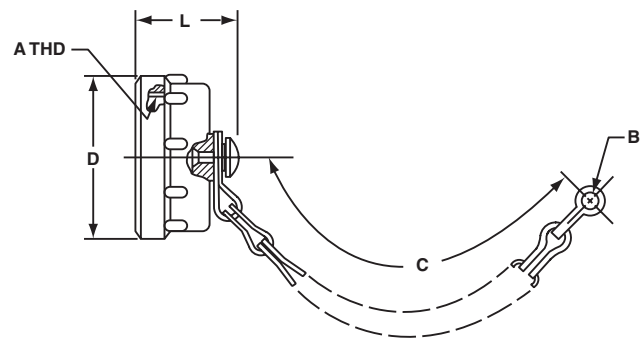
| Assembly Number | A Thread Class 2B | B Dia. Min. | C Approx. | D Dia. Max. | L Max. |
|-----------------|-------------------|-------------|-----------|-------------|--------|
| 10-329394-10 | .625-24UNEF | .641 | 3.5 | .875 | .793 |
| 10-329394-12 | .750-20UNEF | .766 | 3.5 | 1.000 | .793 |
| 10-329394-14 | .875-20UNEF | .891 | 3.5 | 1.125 | .793 |
| 10-329394-16 | 1.000-20UNEF | 1.016 | 3.5 | 1.250 | .793 |
| 10-329394-18 | 1.125-18UNEF | 1.094 | 3.5 | 1.375 | 1.024 |
| 10-329394-20 | 1.250-18UNEF | 1.203 | 4.0 | 1.500 | 1.024 |
| 10-329394-22 | 1.375-18UNEF | 1.343 | 4.0 | 1.625 | 1.024 |
| 10-329394-24 | 1.500-18UNEF | 1.453 | 4.5 | 1.750 | 1.024 |
| 10-329394-28 | 1.750-18UNS | 1.766 | 4.5 | 2.000 | 1.024 |
| 10-329394-32 | 2.000-18UNS | 2.016 | 5.0 | 2.250 | 1.024 |
| 10-329394-36 | 2.250-16UN | 2.266 | 5.0 | 2.500 | 1.024 |
| 10-329394-40 | 2.500-16UN | 2.516 | 5.0 | 2.656 | 1.024 |
| 10-329394-44 | 2.750-16UN | 2.766 | 6.0 | 2.938 | 1.024 |

RECEPTACLE PROTECTION CAP 10-329394-XX*



| Assembly Number | A Thread Class 2B | B Ref. | C Approx. | D Dia. Max. | L Max. |
|-----------------|-------------------|--------|-----------|-------------|--------|
| 10-422905-103 | .625-24UNEF | .140 | 3.0 | .875 | .812 |
| 10-422905-123 | .750-20UNEF | .140 | 3.5 | 1.000 | .812 |
| 10-422905-143 | .875-20UNEF | .140 | 3.5 | 1.125 | .812 |
| 10-422905-163 | 1.000-20UNEF | .140 | 3.5 | 1.250 | .812 |
| 10-422905-183 | 1.125-18UNEF | .193 | 3.5 | 1.375 | 1.031 |
| 10-422905-203 | 1.250-18UNEF | .193 | 4.0 | 1.500 | 1.031 |
| 10-422905-223 | 1.375-18UNEF | .193 | 4.0 | 1.625 | 1.031 |
| 10-422905-243 | 1.500-18UNEF | .193 | 4.5 | 1.750 | 1.031 |
| 10-422905-283 | 1.750-18UNS | .193 | 4.5 | 2.000 | 1.031 |
| 10-422905-323 | 2.000-18UNS | .193 | 5.0 | 2.250 | 1.031 |

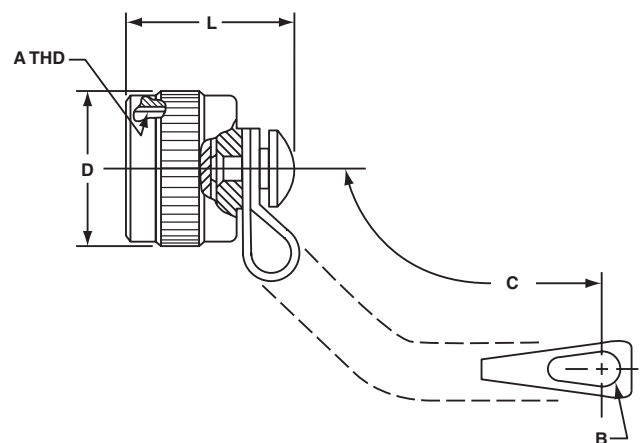
RECEPTACLE PROTECTION CAP 10-422905-



| Assembly Number | A Thread Class 2B | B Ref. | C Approx. | D Dia. Max. | L Max. |
|-----------------|-------------------|--------|-----------|-------------|--------|
| 10-422905-363 | 2.250-16UN | .193 | 5.0 | 2.500 | 1.031 |
| 10-422905-403 | 2.500-16UN | .193 | 5.0 | 2.656 | 1.031 |

| MS Number | A Thread Class 2B | B +.010 -0.005 | C Approx. | D Dia. Max. | L Max. |
|--------------|-------------------|----------------|-----------|-------------|--------|
| MS25043-8DA | .500-28UNEF | .140 | 4.00 | .688 | .750 |
| MS25043-10DA | .625-24UNEF | .140 | 4.00 | .815 | .750 |
| MS25043-12DA | .750-20UNEF | .140 | 4.50 | 1.000 | .750 |
| MS25043-14DA | .875-20UNEF | .140 | 4.50 | 1.125 | .750 |
| MS25043-16DA | 1.000-20UNEF | .140 | 4.50 | 1.188 | .750 |
| MS25043-18DA | 1.125-18UNEF | .140 | 4.50 | 1.344 | .750 |
| MS25043-20DA | 1.250-18UNEF | .140 | 5.00 | 1.469 | .750 |
| MS25043-22DA | 1.375-18UNEF | .140 | 5.00 | 1.594 | .750 |
| MS25043-24DA | 1.500-18UNEF | .171 | 5.50 | 1.719 | .750 |
| MS25043-28DA | 1.750-18UNS | .171 | 7.75 | 1.969 | .812 |
| MS25043-32DA | 2.000-18UNS | .187 | 7.75 | 2.219 | .812 |
| MS25043-36DA | 2.250-16UN | .187 | 7.75 | 2.469 | .812 |
| MS25043-40DA | 2.500-16UN | .187 | 7.75 | 2.719 | .812 |

XXX*

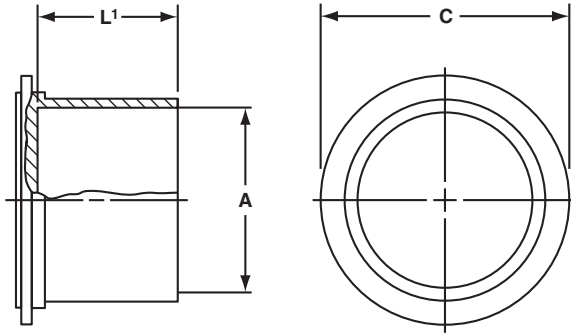


* Protective caps are illustrated with sash chains and are available with beaded chains or without chains. Optional terminations are also available. Consult Amphenol Aerospace when ordering.

MIL-DTL-5015 Accessories

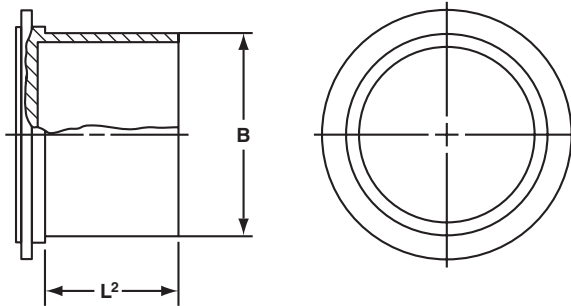
Dust Caps

10-70500 RECEPTACLE DUST CAP FOR EXTERNAL THREADS



| MS Shell Size | Order Number | A Dia. Nominal Thread | C Dia. ±.031 | L ¹ ±.062 |
|---------------|--------------|-----------------------|--------------|----------------------|
| 8S | 10-70500-8 | .500 | .750 | .500 |
| 10S | 10-70500-10 | .625 | .875 | .500 |
| 10SL | 10-70500-10 | .625 | .875 | .500 |
| 12S | 10-70500-12 | .750 | 1.000 | .500 |
| 12 | 10-70500-12 | .750 | 1.000 | .500 |
| 14S | 10-70500-14 | .875 | 1.125 | .500 |
| 14 | 10-70500-14 | .875 | 1.125 | .500 |
| 16S | 10-70500-16 | 1.000 | 1.250 | .500 |
| 16 | 10-70500-16 | 1.000 | 1.250 | .500 |
| 18 | 10-70500-18 | 1.125 | 1.375 | .562 |
| 20 | 10-70500-20 | 1.250 | 1.500 | .562 |
| 22 | 10-70500-22 | 1.375 | 1.625 | .562 |
| 24 | 10-70500-24 | 1.500 | 1.750 | .562 |
| 28 | 10-70500-28 | 1.750 | 1.938 | .562 |
| 32 | 10-70500-32 | 2.000 | 2.250 | .562 |
| 36 | 10-70500-36 | 2.250 | 2.500 | .625 |
| 40 | 10-70500-40 | 2.500 | 2.750 | .625 |

10-70506 PLUG DUST CAP FOR INTERNAL THREADS



| MS Shell Size | Order Number | B Dia. Min. | L ² ±.125 |
|---------------|--------------|-------------|----------------------|
| 8S | 10-70506-8S | .469 | .625 |
| 10S | 10-70506-10S | .587 | .625 |
| 10SL | 10-70506-10S | .587 | .625 |
| 12S | 10-70506-12 | .704 | .625 |
| 12 | 10-70506-12 | .704 | .625 |
| 14S | 10-70506-14 | .828 | .625 |
| 14 | 10-70506-14 | .828 | .625 |
| 16S | 10-70506-16 | .953 | .625 |
| 16 | 10-70506-16 | .953 | .625 |
| 18 | 10-70506-18 | 1.072 | .625 |
| 20 | 10-70506-20 | 1.197 | .625 |
| 22 | 10-70506-22 | 1.322 | .625 |
| 24 | 10-70506-24 | 1.447 | .625 |
| 28 | 10-70506-28 | 1.697 | .625 |
| 32 | 10-70506-32 | 1.947 | .625 |
| 36 | 10-70506-36 | 2.190 | .625 |
| 40 | 10-70506-40 | 2.440 | .625 |

5015

MATRIX

Amphenol



Amphenol Aerospace Operations

40-60 Delaware Avenue
Sidney, NY 13838
800-678-0141

Amphenol Commercial Air Division

40-60 Delaware Avenue
Sidney, NY 13838
1-800-687-0141

Amphenol Nexus Technologies

50 Sunnyside Avenue
Stamford, CT 06902
203-327-7300

Amphenol PC D

72 Cherry Hill Drive
Beverly, MA 01915
978-624-3400

Amphenol SV Microwave

2400 Centrepark West Drive
West Palm Beach, FL
561-840-1800

Amphenol Times Microwave, Inc.

358 Hall Avenue
Wallingford, CT 06492
800-867-2629

Amphenol Fiber Systems International

1300 Central Expressway North, Suite 100
Allen, TX 75013
214-547-2400

Amphenol Borisch Technologies

4511 East Paris AVE
Grand Rapids, MI 49512
616-554-9820

Amphenol Printed Circuits

91 Northeastern Boulevard
Nashua, NH 03062
603-324-4500

Amphenol Canada

605 Milner Avenue
Toronto, ON Canada M1B 5X6
416-291-4401

Amphenol Invotec

Unit 1-3, Hedging Lane Industrial Estate
Dosthill, Tamworth, B77 5HH United Kingdom
+44 (0) 1827 263250

Amphenol Ionix Systems

Prospect House, Taylor Business Park
Risley, Warrington, WA3 6HP United Kingdom
+44 (0) 1942 685200

Amphenol Limited

Thanet Way
Whitstable, Kent, CT5 3JF United Kingdom
+44 (0) 1227 773200

Amphenol Socapex

948 Promenade De L'Arve – BP 29
74311 Thyez France
+33 (0) 4 50 89 28 00

Amphenol Air LB SAS

2 Rue Clément Ader, Zac de Wé
08110 Carignan France
+33 (0) 03 24 22 78 49

Amphenol AirLB GmbH

Am Kleinbahnhof 4
D-66740 Saarlouis Germany
+49 (0) 68 31/98 10 0

Amphenol SEFEE

Z.I. des Cazes – BP243
12402 Saint-Affrique Cedex France
+33 (0) 5 65 98 11 00

Amphenol Interconnect India

105, Bhosari Industrial Area
Pune – 411 026 India
+91 20 27120363

Amphenol Japan, Ltd.

471-1, Deba, Ritto-City
Shiga, 520 3041 Japan
+81 77 553 8501

Amphenol Martec Limited

St. Augustines Business Park
Swalecliffe, Whitstable, Kent
CT5 2QJ United Kingdom
+44 (0) 1227 793 733

Amphenol Optimize

Carretera Internacional Km 6.5
Col. Parque Industrial
Nogales, Sonora, México. C.P. 84094
+52 (631) 311-160

Amphenol Ionix Systems OÜ

Pikk Street 59b
Kuressaare 93815 Estonia
+372 4521 780

AMAO – European Sales Operations

Via Barbaiana 5
20020 Lainate Milano, Italy
+39 02 932 541

Amphenol Bar-Tec Ltd.

3 Hagavish st
POB 2479 Kfar-Saba 44641
Israel
+972-9-7644100

AMPHENOL CORPORATION

40-60 Delaware Avenue, Sidney, NY 13838-1395 • 800-678-0141

www.amphenol-aerospace.com • www.amphenolmao.com

X-ON Electronics

Largest Supplier of Electrical and Electronic Components

Click to view similar products for [Circular MIL Spec Connector](#) category:

Click to view products by [Amphenol](#) manufacturer:

Other Similar products are found below :

[0025-262-542](#) [0025-264-3014](#) [58-570121-04S](#) [0134-202-1200](#) [0134-207-1206](#) [0134-207-1800](#) [0134-207-2207](#) [0134-213-0806](#) [0134-213-1007](#) [0134-213-1009](#) [0134-213-1208](#) [0134-213-1800](#) [0134-213-2209](#) [0025-258-000](#) [015-9516-002](#) [60-042217-10P](#) [60-042722-19P](#) [0114-201-1278](#) [602GB06EG24-61SN](#) [0134-201-1207](#) [0134-201-1806](#) [0134-201-2006](#) [0134-201-2007](#) [0134-201-2010](#) [0134-202-1400](#) [0134-207-0809](#) [0134-207-1208](#) [0134-207-2009](#) [0134-213-1006](#) [6104-207-2302](#) [6104-208-1902](#) [6131-202-19149P](#) [6131-204-21149P](#) [6131-207-13149P](#) [6131-208-13149P](#) [6131-209-17149P](#) [6131-210-11149P](#) [6131-211-19149P](#) [6131-216-19149P](#) [6131-220-25149P](#) [6131-259-11149P](#) [6131-259-21149P](#) [6131-259-23149P](#) [6131-263-19149P](#) [6131-265-17149P](#) [6131-265-19149P](#) [6134-203-21149](#) [CS3102A-20-15P](#) [CS3102A-20-15S](#) [CS3102A-28-15S](#)