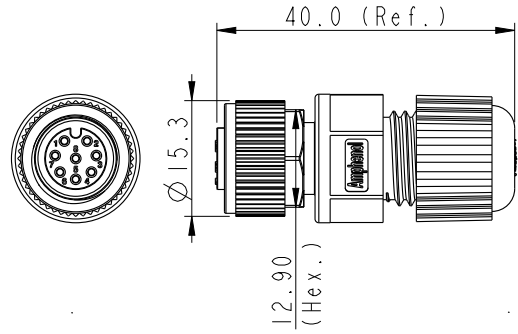
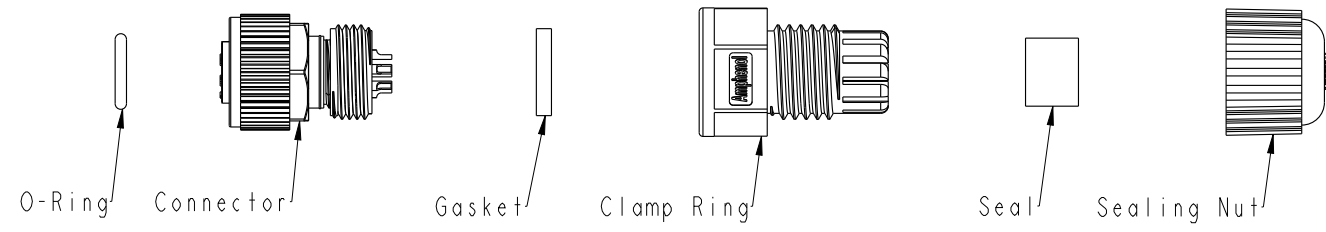


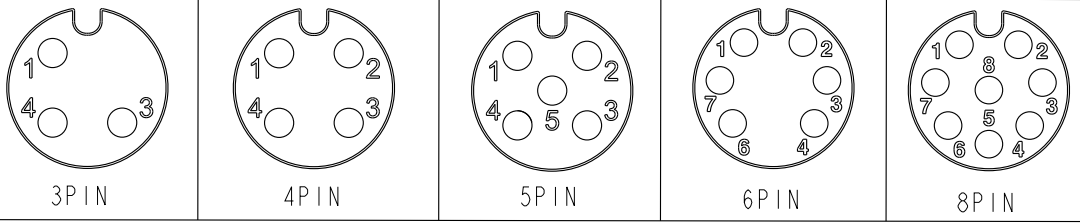
THIS DOCUMENT IS SUBJECT TO CHANGE WITHOUT NOTICE. IT IS CONFIDENTIAL AND A PROPERTY OF Amphenol LTW. DISCLOSURE TO THIRD PARTY HAS TO BE AUTHORIZED BY Amphenol LTW.

REV.	ECN NO.	DATE	SIGN	DESCRIPTION

ALTW
CONFIDENTIAL
 2019-08-28
R&D DEPT.



- Note:
- * 15.3 Important Dimension To Check
 - * Waterproof Rate: IP68
 - * Housing: Nylon+GF, Black
 - * Pin: Copper Alloy, Gold Plated
 - * Nut: Nylon, Black
 - * Gasket: Silicone, Gray
 - * Clamp Ring: Nylon, Black
 - * Sealing Nut: Nylon, Black
 - * Seal: Silicone, Dark Gray
 - * Seal For Cable OD: $\varnothing 4.5\text{mm} \sim \varnothing 6.5\text{mm}$
 - * O-Ring: Silicone, Gray



Pin Assignments Front View

UNIT: mm TOLERANCE ± 0.5			TITLE M12 A CODE Assy F Conn F PIN		Amphenol LTW 安費諾亮泰企業股份有限公司	ITEM NO	DRAWN BY	DATE
	SCALE 1:1	SIZE A4	SHEET 1	OF 2		DWG NO MSAP-XXBFFA-SL8001	CHECKED BY Li Feng	DATE 2019/08/28
	REV. A	WC-REV. A.5	Inspection item			CUSTOMER ALTW	APPROVED BY Jerry	DATE 2019/08/28

THIS DOCUMENT IS SUBJECT TO CHANGE WITHOUT NOTICE. IT IS CONFIDENTIAL AND A PROPERTY OF Amphenol LTW. DISCLOSURE TO THIRD PARTY HAS TO BE AUTHORIZED BY Amphenol LTW.

1	2	3	4	5	6	7	8
F							
E							
D							
C							
B							
A							

M SAP - XX B F F A - S L 8 001

001: Without Cable

SAP: A-Code Plastic Nut

03: 3Pin
 04: 4Pin
 05: 5Pin
 06: 6Pin
 08: 8Pin

B: Without S/R(無網尾)

F: Female Connector(母座)

F: Female Pin(母Pin)

8: IP68(防水等級68)

L: Straight (180°)

S: Screw(螺紋式)

A: Solder Type



UNIT:mm

TOLERANCE ± 0.5

TITLE M12 A CODE Assy F Conn F PIN			
SCALE 1:1	SIZE A4	SHEET 2 OF 2	
REV. A	WC-REV. A.5	☉: Inspection item	

Amphenol LTW
 安費諾亮泰企業股份有限公司

ITEM NO	DRAWN BY JC Chen	DATE 2019/08/28
DWG NO MSAP-XXBFFA-SL8001	CHECKED BY Li Feng	DATE 2019/08/28
CUSTOMER ALTW	APPROVED BY Jerry	DATE 2019/08/28

X-ON Electronics

Largest Supplier of Electrical and Electronic Components

Click to view similar products for [Circular Metric Connectors](#) category:

Click to view products by [Amphenol](#) manufacturer:

Other Similar products are found below :

[600X518037X](#) [MA1EAF1200](#) [6STD09SAM99B70X](#) [8R4A00A18M020](#) [1300140094](#) [130203-0054](#) [1300150099](#) [1-3637-600-5205](#) [1545399](#)
[1A4000-348](#) [8R4006A16M010](#) [8R5006A18A120](#) [1R3006A20M005](#) [RF-12P1N8A80DU](#) [RF-12P1N8A90DU](#) [41-01016](#) [41-40010](#) [41-40011](#)
[41-40017](#) [42-01015](#) [4-22279-4](#) [4-22281-1](#) [4-22284-9](#) [43-10041](#) [41-40005](#) [41-40016](#) [43-00132](#) [XS3P-M421-2](#) [600X518050X](#) [SACC-DSI-](#)
[FS-5P-PG9-L180 SC](#) [8R4000A16M010](#) [1R3004A20A1201](#) [N03FA03144](#) [1300140077](#) [41-01117](#) [XS2RD4265](#) [RSC 4/9](#) [XS2R-D426-1](#)
[XS8A-0441](#) [859RD04-103R004](#) [860RD04-113R004](#) [860-X08-213R004](#) [1-213245-2](#) [2273142-2](#) [LC20-02PMFS-SW8001](#) [1604360](#)
[21031121405](#) [MSAS-12PMMP-SF8001](#) [8P-04BFFB-SL7001](#) [21038122406](#)