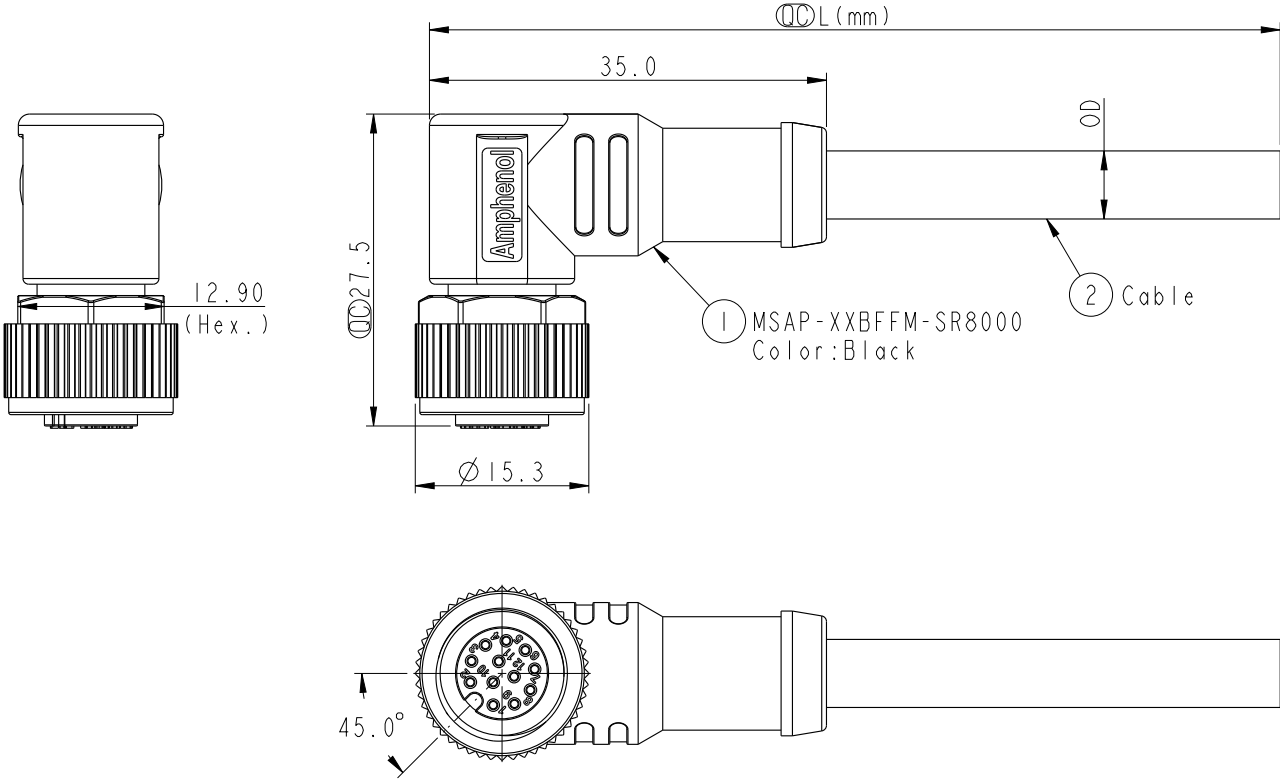
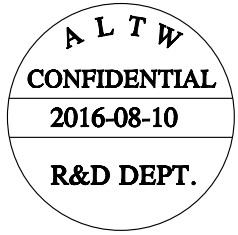


REV.	ECN NO.	DATE	SIGN	DESCRIPTION
A	Initiale Release	2015/07/20	Cary	Change Rev.01 To Rev.A
B	LENI580211~222	2015/08/10	Feng_Li	Add Black PVC Cable
C	LENI680889~906	2016/08/10	Yulong_wang	Add 6Pin & IP69K.



- Notes:
- \*  $\varnothing$  Important Dimension.
  - \* Waterproof Rate: IP68, IP69K.
  - \* Connector: PU+GF, Black.
  - \* Female Pin: Copper Alloy, Gold Plated.
  - \* Screw Nut: Nylon, Black.
  - \* Outer Mold: PU, Black.
  - \* Cable: (A) UL2517, PVC Jacket, Yellow.  
(B) UL20549, PUR Jacket, Black.  
(D) UL2517, PVC Jacket, Black.
  - \* Rated Voltage: 3 & 4Pin 250V dc. or ac.  
5Pin 60V dc. or ac.  
6~12Pin 30V dc. or ac.
  - \* Rated Current: 3~5Pin 4A  
6~8Pin 2A  
10~12Pin 1.5A
  - \* Operating Temperature: -25~85°C
  - \* Cable Length Tolerance: 01M: ±40mm  
02M~05M: ±60mm  
06M~10M: ±100mm  
11M~30M: ±200mm  
31M~99M: ±500mm

UNIT: mm		
TOLERANCE		
±0.5mm		

TITLE M12 A Type 90° Female Conn.			
SCALE 3:2	SIZE A4	SHEET 1 OF 3	
REV. C	WC-REV. A.2	$\varnothing$ : Inspection item	

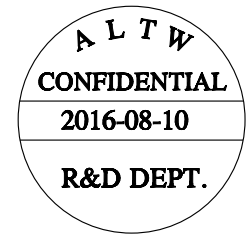
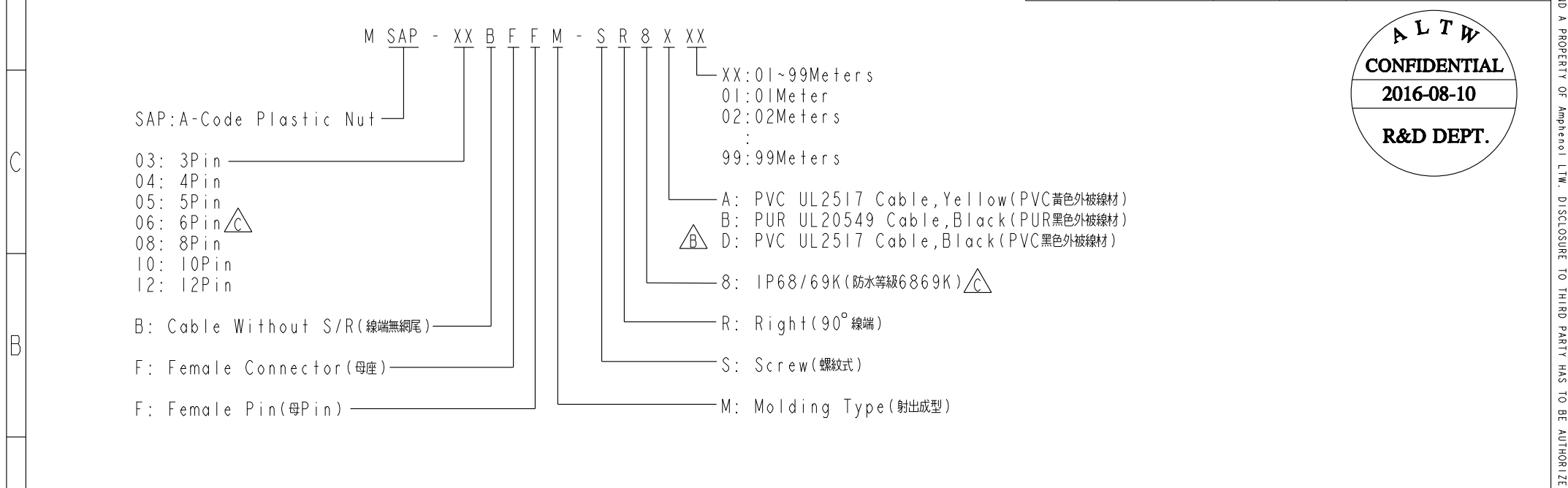
**Amphenol LTW**  
安費諾亮泰企業股份有限公司

ITEM NO	DRAWN BY Yulong_wang	DATE 2016-08-10
DWG NO MSAP-XXBFFM-SR8XXX	CHECKED BY Jinhai	DATE 2016-08-10
CUSTOMER ALTW	APPROVED BY Jerry	DATE 2016-08-10

THIS DOCUMENT IS SUBJECT TO CHANGE WITHOUT NOTICE. IT IS CONFIDENTIAL AND A PROPERTY OF Amphenol LTW. DISCLOSURE TO THIRD PARTY HAS TO BE AUTHORIZED BY Amphenol LTW.

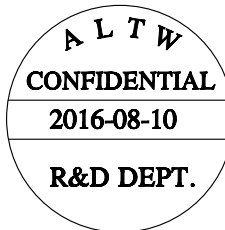
THIS DOCUMENT IS SUBJECT TO CHANGE WITHOUT NOTICE. IT IS CONFIDENTIAL AND A PROPERTY OF Amphenol LTW. DISCLOSURE TO THIRD PARTY HAS TO BE AUTHORIZED BY Amphenol LTW.

F	△B	12P	PVC	6.0	26	MSAP-12BFFM-SR8DXX	
		10P				MSAP-10BFFM-SR8DXX	
		8P				MSAP-08BFFM-SR8DXX	
		△C		6P	5.5	24	MSAP-06BFFM-SR8DXX
				5P			MSAP-05BFFM-SR8DXX
				4P			MSAP-04BFFM-SR8DXX
	E	△C	3P	PUR	4.8	22	MSAP-03BFFM-SR8DXX
			12P				MSAP-12BFFM-SR8BXX
			10P				MSAP-10BFFM-SR8BXX
			8P		5.5	24	MSAP-08BFFM-SR8BXX
			6P				MSAP-06BFFM-SR8BXX
			5P				MSAP-05BFFM-SR8BXX
△C		4P	5.0	22	MSAP-04BFFM-SR8BXX		
		3P			MSAP-03BFFM-SR8BXX		
		12P			MSAP-12BFFM-SR8AXX		
		△C	10P	PVC	6.0	26	MSAP-10BFFM-SR8AXX
			8P				MSAP-08BFFM-SR8AXX
			6P				MSAP-06BFFM-SR8AXX
5P	5.5		24		MSAP-05BFFM-SR8AXX		
4P					MSAP-04BFFM-SR8AXX		
3P					MSAP-03BFFM-SR8AXX		
Contacts		Cable Jacket	Cable OD	AWG	Item No.		

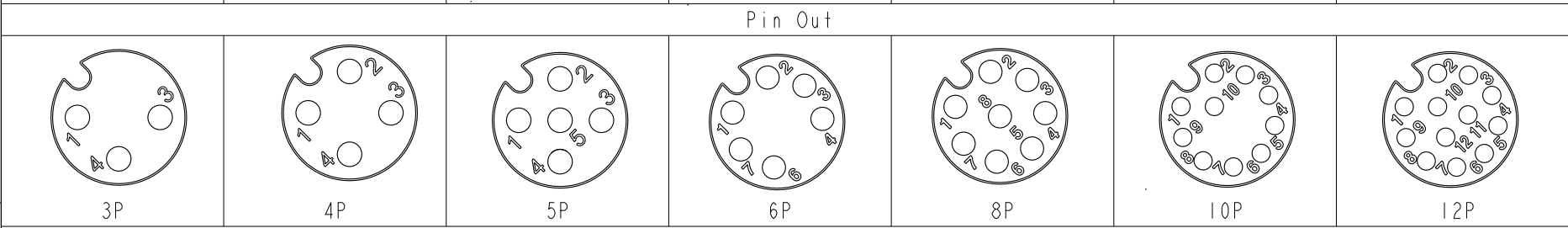


A	UNIT:mm		TITLE	M12 A Type 90° Female Conn.		ITEM NO	DRAWN BY	DATE		
	TOLERANCE	±0.5mm	SCALE	3:2	SIZE	A4	CHECKED BY	Jinhai	DATE	2016-08-10
	REV.	C	WC-REV.	A.2	SHEET	2	OF	3	DATE	2016-08-10
			QC: Inspection item	<h2 style="text-align: center;">Amphenol LTW</h2> <p style="text-align: center;">安費諾亮泰企業股份有限公司</p>		CUSTOMER	APPROVED BY	Jerry	DATE	2016-08-10
						ALTW			8 FMM10702-01-02A1	

THIS DOCUMENT IS SUBJECT TO CHANGE WITHOUT NOTICE. IT IS CONFIDENTIAL AND A PROPERTY OF Amphenol LTW. DISCLOSURE TO THIRD PARTY HAS TO BE AUTHORIZED BY Amphenol LTW.



5	--		5	--		5	Gray	灰	5	--		5	--		5	Gray	灰	5	--		5	--		5	Gray	灰
4	Black	黑	4	Black	黑	4	Black	黑	4	Black	黑	4	Black	黑	4	Black	黑	4	Black	黑	4	Black	黑	4	Black	黑
3	Blue	藍	3	Blue	藍	3	Blue	藍	3	Blue	藍	3	Blue	藍	3	Blue	藍	3	Blue	藍	3	Blue	藍	3	Blue	藍
2	--		2	White	白	2	White	白	2	White	白	2	White	白	2	White	白	2	White	白	2	White	白	2	White	白
1	Brown	棕	1	Brown	棕	1	Brown	棕	1	Brown	棕	1	Brown	棕	1	Brown	棕	1	Brown	棕	1	Brown	棕	1	Brown	棕
8	--		8	--		8	--		8	--		8	--		8	--		8	--		8	--		8	--	
7	Blue	藍	7	Blue	藍	7	Blue	藍	7	Blue	藍	7	Blue	藍	7	Blue	藍	7	Blue	藍	7	Blue	藍	7	Blue	藍
6	Pink	粉	6	Pink	粉	6	Pink	粉	6	Pink	粉	6	Pink	粉	6	Pink	粉	6	Pink	粉	6	Pink	粉	6	Pink	粉
5	--		5	--		5	--		5	--		5	--		5	--		5	--		5	--		5	--	
4	Yellow	黃	4	Yellow	黃	4	Yellow	黃	4	Yellow	黃	4	Yellow	黃	4	Yellow	黃	4	Yellow	黃	4	Yellow	黃	4	Yellow	黃
3	Green	綠	3	Green	綠	3	Green	綠	3	Green	綠	3	Green	綠	3	Green	綠	3	Green	綠	3	Green	綠	3	Green	綠
2	Brown	棕	2	Brown	棕	2	Brown	棕	2	Brown	棕	2	Brown	棕	2	Brown	棕	2	Brown	棕	2	Brown	棕	2	Brown	棕
1	White	白	1	White	白	1	White	白	1	White	白	1	White	白	1	White	白	1	White	白	1	White	白	1	White	白
12	--		12	Red/Blue	紅/藍	12	Red/Blue	紅/藍	12	Red/Blue	紅/藍	12	Red/Blue	紅/藍	12	Red/Blue	紅/藍	12	Red/Blue	紅/藍	12	Red/Blue	紅/藍	12	Red/Blue	紅/藍
11	--		11	Gray/Pink	灰/粉	11	Gray/Pink	灰/粉	11	Gray/Pink	灰/粉	11	Gray/Pink	灰/粉	11	Gray/Pink	灰/粉	11	Gray/Pink	灰/粉	11	Gray/Pink	灰/粉	11	Gray/Pink	灰/粉
10	Violet	紫	10	Violet	紫	10	Violet	紫	10	Violet	紫	10	Violet	紫	10	Violet	紫	10	Violet	紫	10	Violet	紫	10	Violet	紫
9	Black	黑	9	Black	黑	9	Black	黑	9	Black	黑	9	Black	黑	9	Black	黑	9	Black	黑	9	Black	黑	9	Black	黑
8	Red	紅	8	Red	紅	8	Red	紅	8	Red	紅	8	Red	紅	8	Red	紅	8	Red	紅	8	Red	紅	8	Red	紅
7	Blue	藍	7	Blue	藍	7	Blue	藍	7	Blue	藍	7	Blue	藍	7	Blue	藍	7	Blue	藍	7	Blue	藍	7	Blue	藍
6	Pink	粉	6	Pink	粉	6	Pink	粉	6	Pink	粉	6	Pink	粉	6	Pink	粉	6	Pink	粉	6	Pink	粉	6	Pink	粉
5	Gray	灰	5	Gray	灰	5	Gray	灰	5	Gray	灰	5	Gray	灰	5	Gray	灰	5	Gray	灰	5	Gray	灰	5	Gray	灰
4	Yellow	黃	4	Yellow	黃	4	Yellow	黃	4	Yellow	黃	4	Yellow	黃	4	Yellow	黃	4	Yellow	黃	4	Yellow	黃	4	Yellow	黃
3	Green	綠	3	Green	綠	3	Green	綠	3	Green	綠	3	Green	綠	3	Green	綠	3	Green	綠	3	Green	綠	3	Green	綠
2	Brown	棕	2	Brown	棕	2	Brown	棕	2	Brown	棕	2	Brown	棕	2	Brown	棕	2	Brown	棕	2	Brown	棕	2	Brown	棕
1	White	白	1	White	白	1	White	白	1	White	白	1	White	白	1	White	白	1	White	白	1	White	白	1	White	白



Pin Assignments Front View

UNIT: mm TOLERANCE ±0.5mm		TITLE M12 A Type 90° Female Conn.	<h1 style="margin: 0;">Amphenol LTW</h1> <p style="margin: 0;">安費諾亮泰企業股份有限公司</p>	ITEM NO	DRAWN BY Yulong_wang	DATE 2016-08-10		
		SCALE 3:2		SIZE A4	SHEET 3 OF 3	DWG NO MSAP-XXBFFM-SR8XXX	CHECKED BY Jinhai	DATE 2016-08-10
		REV. C		WC-REV. A.2	Inspection item	CUSTOMER ALTW	APPROVED BY Jerry	DATE 2016-08-10

## X-ON Electronics

Largest Supplier of Electrical and Electronic Components

*Click to view similar products for [Sensor Cables / Actuator Cables](#) category:*

*Click to view products by [Amphenol](#) manufacturer:*

Other Similar products are found below :

[60963](#) [60964](#) [703000D02F2002](#) [703001D02F0602](#) [703001D02F300](#) [704000D02F120](#) [773032K02F030](#) [802027107404-1](#) [802027213811-1](#)  
[804001A09M150](#) [805001A09M0502](#) [84914-0235](#) [84914-0237](#) [885030A09M020](#) [8R4J30E03C3003](#) [1200651332](#) [1200651713](#) [1200660844](#)  
[1200660845](#) [1200661173](#) [1200680071](#) [1200720053](#) [1200720081](#) [1200720099](#) [1200720217](#) [1200800231](#) [1200860125](#) [1200870123](#)  
[1200980102](#) [1200650267](#) [1200650298](#) [1200660183](#) [1200660782](#) [1200660849](#) [1200661295](#) [1200661297](#) [1200661342](#) [1200661343](#)  
[1200670080](#) [1200670220](#) [1200680331](#) [1200720252](#) [1200730184](#) [1200860344](#) [1200870359](#) [1200870643](#) [1200980008](#) [1200980031](#)  
[1210502211](#) [1210400542](#)