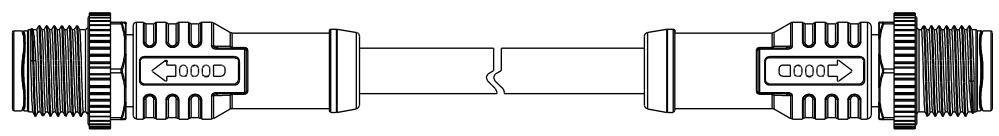
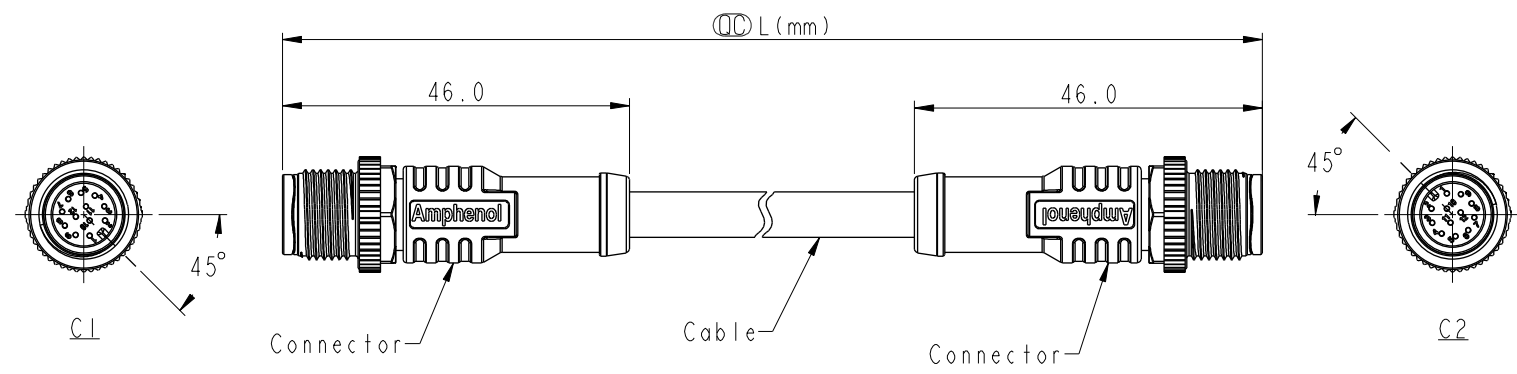


REV.	DESCRIPTION



- Note:
- * \varnothing Important Dimension.
 - * Waterproof Rate: IP68, IP69K.
 - * Connector: PU+GF, Black.
 - * Pin: Copper Alloy, Gold Plated.
 - * Screw Nut: Nylon, Black.
 - * Outer Mold: PU, Black.
 - * Cable: (B) UL20549, PUR Jacket, Black.
(D) UL2517, PVC Jacket, Black.
 - * Rated Voltage: 3 & 4Pin 250V dc. or ac.
5Pin 60V dc. or ac.
6~12Pin 30V dc. or ac.
 - * Rated Current: 3~5Pin 4A
6~8Pin 2A
10~12Pin 1.5A
 - * Cable Length Tolerance: 0.5±20mm
01±40mm
02M~05M:±60mm
06M~10M:±100mm
11M~30M:±200mm
31M~99M:±500mm

UNIT:mm	
TOLERANCE	±0.5 mm

TITLE M12 A-Code Double Ended		
SCALE 1:2	SIZE A4	SHEET 1 OF 3
REV. A	WC-REV.	\varnothing : Inspection item

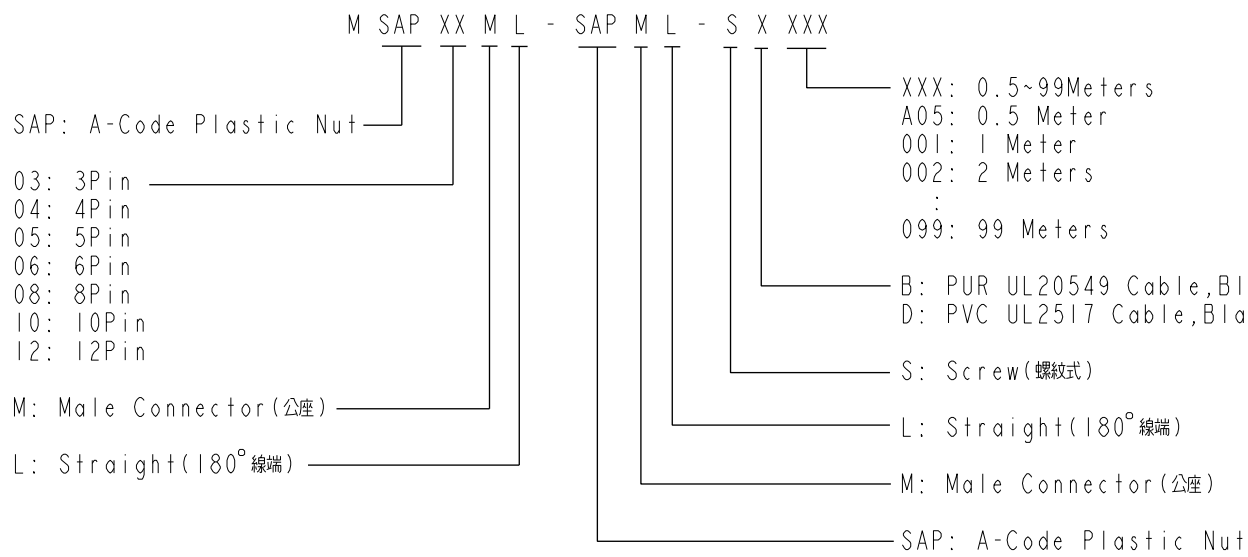
Amphenol LTW
安費諾亮泰企業股份有限公司

ITEM NO	DRAWN BY Vicky	DATE 2018-12-05
DWG NO MSAPXXML-SAPML-SXXXX	CHECKED BY Rita	DATE 2018-12-05
CUSTOMER ALTW	APPROVED BY Max	DATE 2018-12-05

THIS DOCUMENT IS SUBJECT TO CHANGE WITHOUT NOTICE. IT IS CONFIDENTIAL AND A PROPERTY OF Amphenol LTW. DISCLOSURE TO THIRD PARTY HAS TO BE AUTHORIZED BY Amphenol LTW.

THIS DOCUMENT IS SUBJECT TO CHANGE WITHOUT NOTICE. IT IS CONFIDENTIAL AND A PROPERTY OF Amphenol LTW. DISCLOSURE TO THIRD PARTY HAS TO BE AUTHORIZED BY Amphenol LTW.

12P	PVC	6.0	26	MSAP12ML-SAPML-SDXXX
10P		5.5	24	MSAP10ML-SAPML-SDXXX
8P				MSAP08ML-SAPML-SDXXX
6P				MSAP06ML-SAPML-SDXXX
5P		5.1	22	MSAP05ML-SAPML-SDXXX
4P		4.8		MSAP04ML-SAPML-SDXXX
3P	4.5	MSAP03ML-SAPML-SDXXX		
12P	PUR	6.0	26	MSAP12ML-SAPML-SBXXX
10P		4.8	24	MSAP10ML-SAPML-SBXXX
8P				MSAP08ML-SAPML-SBXXX
6P				MSAP06ML-SAPML-SBXXX
5P		4.4	22	MSAP05ML-SAPML-SBXXX
4P		4.0		MSAP04ML-SAPML-SBXXX
3P	3.8	MSAP03ML-SAPML-SBXXX		
Contacts	Cable Jacket	Cable OD	AWG	Item No.



UNIT: mm	
TOLERANCE	

TITLE M12 A-Code Double Ended		
SCALE 1:2	SIZE A4	SHEET 2 OF 3
REV. A	WC-REV.	QC: Inspection item

Amphenol LTW
安費諾亮泰企業股份有限公司

ITEM NO	DRAWN BY Vicky	DATE 2018-12-05
DWG NO MSAPXXML-SAPML-SXXXX	CHECKED BY Rita	DATE 2018-12-05
CUSTOMER ALTW	APPROVED BY Max	DATE 2018-12-05

X-ON Electronics

Largest Supplier of Electrical and Electronic Components

Click to view similar products for [Sensor Cables / Actuator Cables](#) category:

Click to view products by [Amphenol](#) manufacturer:

Other Similar products are found below :

[60963](#) [60964](#) [703000D02F2002](#) [703001D02F0602](#) [703001D02F300](#) [704000D02F120](#) [773032K02F030](#) [802027107404-1](#) [802027213811-1](#)
[804001A09M150](#) [805001A09M0502](#) [84914-0235](#) [84914-0237](#) [885030A09M020](#) [8R4J30E03C3003](#) [1200651332](#) [1200651713](#) [1200660844](#)
[1200660845](#) [1200661173](#) [1200680071](#) [1200720053](#) [1200720081](#) [1200720099](#) [1200720217](#) [1200800231](#) [1200860125](#) [1200870123](#)
[1200980102](#) [1200650267](#) [1200650298](#) [1200660183](#) [1200660782](#) [1200660849](#) [1200661295](#) [1200661297](#) [1200661342](#) [1200661343](#)
[1200670080](#) [1200670220](#) [1200680331](#) [1200720252](#) [1200730184](#) [1200860344](#) [1200870359](#) [1200870643](#) [1200980008](#) [1200980031](#)
[1210502211](#) [1210400542](#)