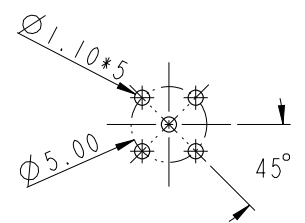
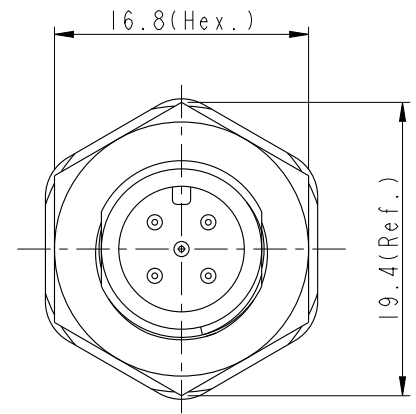
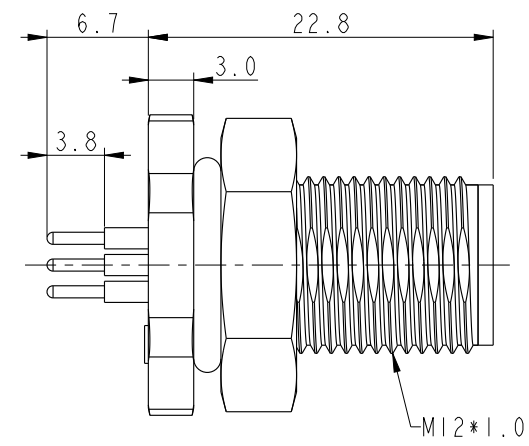
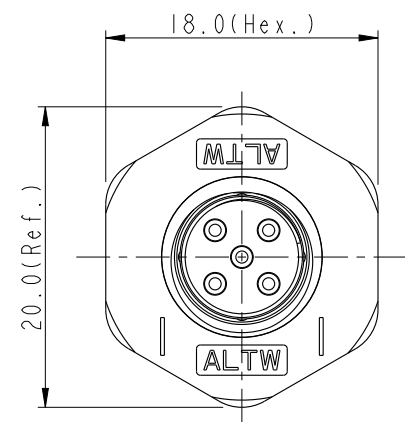


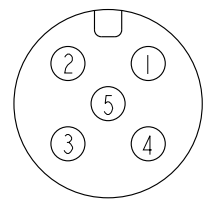
THIS DOCUMENT IS SUBJECT TO CHANGE WITHOUT NOTICE. IT IS CONFIDENTIAL AND A PROPERTY OF AMPHENOL LTW. DISCLOSURE TO THIRD PARTY HAS TO BE AUTHORIZED BY AMPHENOL LTW.

REV.	ECN NO.	DATE	SIGN	DESCRIPTION

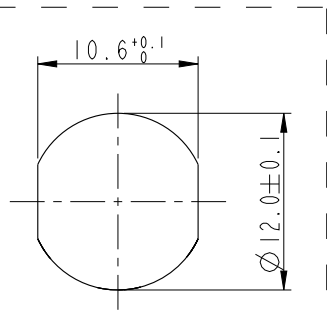
**ALTW**  
**CONFIDENTIAL**  
**2016-12-09**  
**R&D DEPT.**



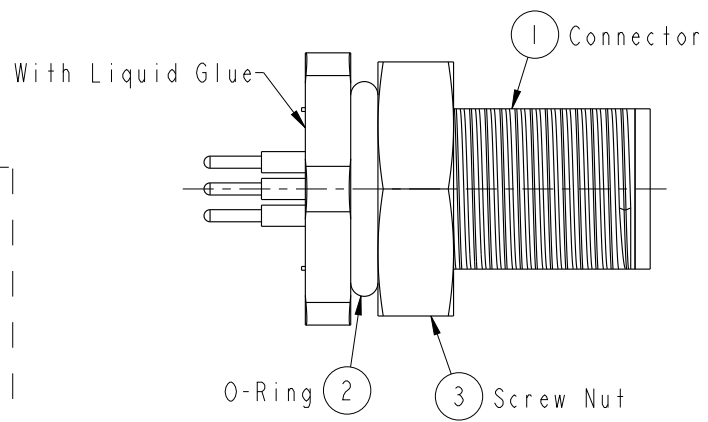
Recommended PCB Layout



Conn. Pin Assignments Front View



Recommended Panel Cut-Out



Notes:

- \*  $\varnothing$  Important Dimension To Check.
- \* Waterproof Rate: IP68  
 IP68: 1M Depth Of Water In 24hours.
- \* Connector: Nylon+GF, Black.
- \* Male Pin: Copper Alloy, Gold Plated
- \* Screw Nut: Nylon+GF, Black
- \* O-ring: Silicon, Gray.
- \* For Panel Thickness Max. 4.0mm
- \* For PCB Thickness Max. 1.6mm

UNIT:mm		
TOLERANCE	.X ±0.25	
.XX ±0.1		
.XXX ±0.05		
ANGLES	±1°	

TITLE Sensor M12 180° Panel 5Pin M Conn. M Pin Plastic			
SCALE 2:1	SIZE A4	SHEET 1 OF 1	
REV. A	WC-REV. A.3	QC: Inspection item	

**Amphenol LTW**  
**安費諾亮泰企業股份有限公司**

ITEM NO. MSAP-05PMMP-SF8003	DRAWN BY Yulong_wang	DATE 2016-12-09
DWG NO. MSAP-05PMMP-SF8003	CHECKED BY Jinhai	DATE 2016-12-09
CUSTOMER ALTW	APPROVED BY Jerry	DATE 2016-12-09

## X-ON Electronics

Largest Supplier of Electrical and Electronic Components

*Click to view similar products for [Sensor Cables / Actuator Cables](#) category:*

*Click to view products by [Amphenol](#) manufacturer:*

Other Similar products are found below :

[60963](#) [60964](#) [M83513/19-F01CP](#) [703000D02F2002](#) [703001D02F0602](#) [703001D02F300](#) [704000D02F120](#) [773032K02F030](#) [802027107404-1](#)  
[802027213811-1](#) [804001A09M150](#) [805001A09M0502](#) [84914-0235](#) [84914-0237](#) [885030A09M020](#) [8R4J30E03C3003](#) [1200651332](#)  
[1200651713](#) [1200660844](#) [1200660845](#) [1200661173](#) [1200680071](#) [1200720053](#) [1200720081](#) [1200720099](#) [1200720217](#) [1200800231](#)  
[1200860125](#) [1200870123](#) [1200980102](#) [1200650267](#) [1200650298](#) [1200660183](#) [1200660782](#) [1200660849](#) [1200661295](#) [1200661297](#)  
[1200661342](#) [1200661343](#) [1200670080](#) [1200670220](#) [1200680331](#) [1200720252](#) [1200730184](#) [1200860344](#) [1200870359](#) [1200870643](#)  
[1200980008](#) [1200980031](#) [1210502211](#)