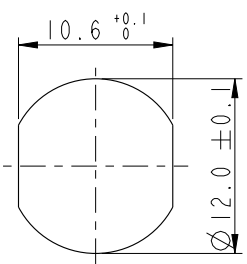
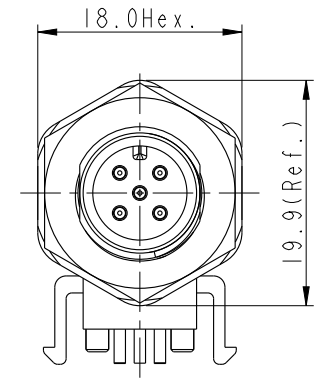
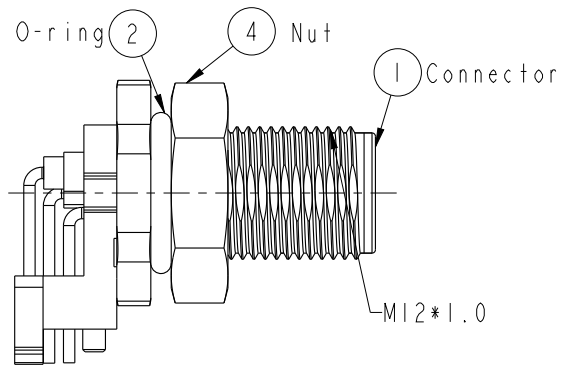
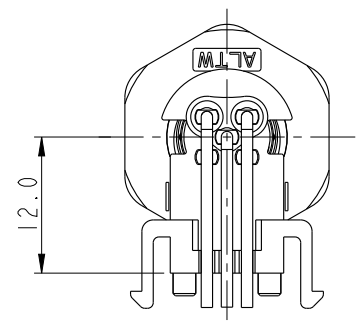
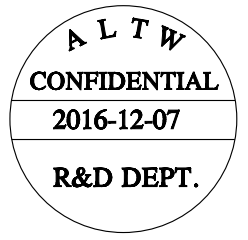


THIS DOCUMENT IS SUBJECT TO CHANGE WITHOUT NOTICE. IT IS CONFIDENTIAL AND A PROPERTY OF AMPHENOL LTW. DISCLOSURE TO THIRD PARTY HAS TO BE AUTHORIZED BY AMPHENOL LTW.

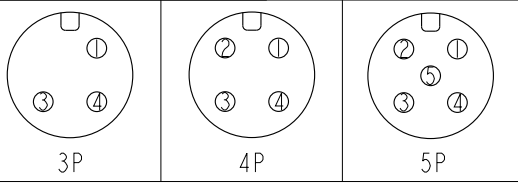
REV.	ECN NO.	DATE	SIGN	DESCRIPTION



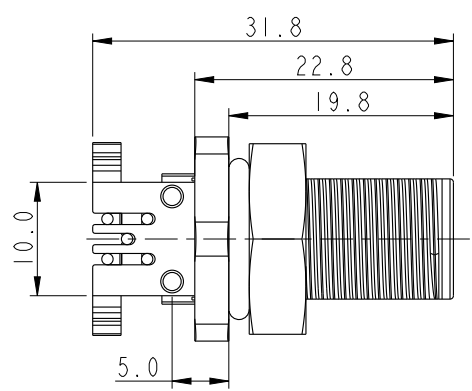
Recommended Panel Cut-Out



M12A-03PMMR-SF8003
M12A-04PMMR-SF8003
M12A-05PMMR-SF8003
Item No.



Pin Assignment Front View



Note:

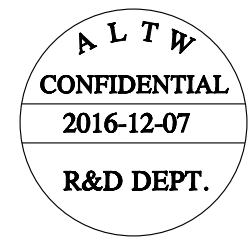
- \*  $\text{CC}$  Important Dimension To Check.
- \* Waterproof Rate: IP68  
IP68: 1M Depth Of Water In 24hours
- \* Connector: Nylon+GF, Black
- \* Male Pin: Copper Alloy, Gold Plated
- \* Shell: Nylon+GF, Black
- \* Nut: Nylon+GF, Black.
- \* O-ring: Silicon, Gray.
- \* Boardlock: PBT+PC, Black.
- \* Rated Voltage: 3 & 4Pin 250V dc. or ac.  
5Pin 60V dc. or ac.
- \* Rated Current: 3~5Pin 4A
- \* For Panel Thickness Max. 4.0mm
- \* For PCB Thickness Max. 1.6mm

UNIT: mm		TITLE	M12 90° PANEL MCONN MPIN PLASTIC		
TOLERANCE	.X ±0.25	SCALE	3:2	SIZE	A4
.XX ±0.1	.XXX ±0.05	REV.	A	WC-REV.	A.2
ANGLES	±1°	SHEET 1 OF 2		CC: Inspection item	

**Amphenol LTW**  
安費諾亮泰企業股份有限公司

ITEM NO.	DRAWN BY	DATE
DWG NO.	Yulong_wang	2016-12-07
CUSTOMER	CHECKED BY	DATE
MSAP-XXPMMR-SF8003	Jinhai	2016-12-07
APPROVED BY	DATE	
Jerry	2016-12-07	

THIS DOCUMENT IS SUBJECT TO CHANGE WITHOUT NOTICE. IT IS CONFIDENTIAL AND A PROPERTY OF Amphenol LTW. DISCLOSURE TO THIRD PARTY HAS TO BE AUTHORIZED BY Amphenol LTW.

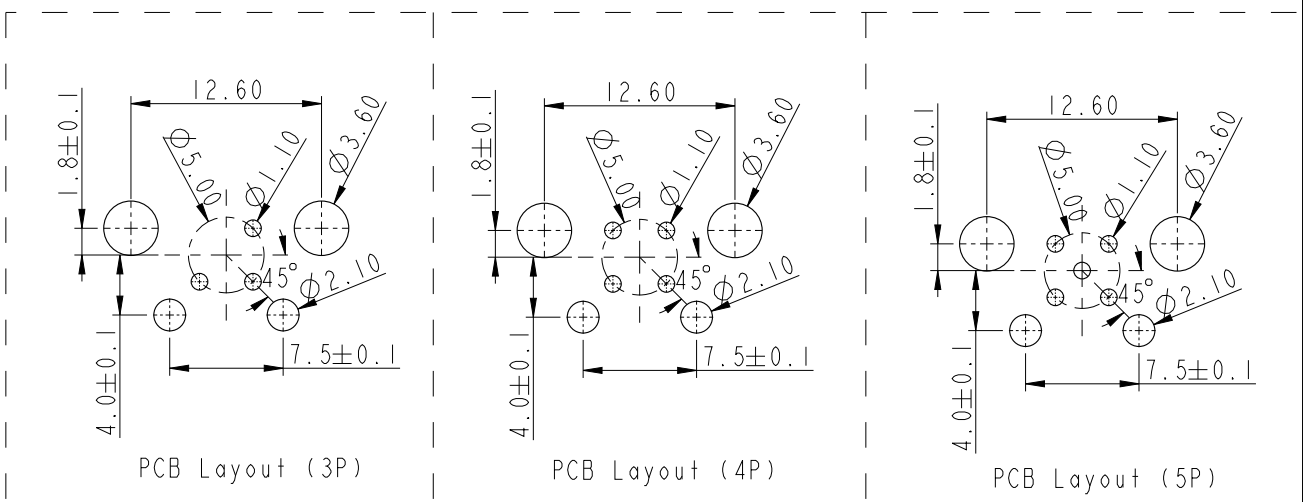


M SAP - XX P M M R - S F 8 003

SAP: A-Code Plastic  
 03: 3Pin  
 04: 4Pin  
 05: 5Pin

P: Panel (板端)  
 M: Male Connector (公座)

003: M12\*1.0  
 8: IP68 (防水等級68)  
 F: Front Fasten (前鎖式/Enclosure Rear Mount)  
 S: Screw (螺紋式)  
 R: 90° PCB THT/DIP Type (90° 基板插件式)  
 M: Male Pin (公Pin)



UNIT: mm	
TOLERANCE	
.X	±0.25
.XX	±0.1
.XXX	±0.05
ANGLES	±1°

TITLE M12 90° PANEL MCONN MPIN PLASTIC		
SCALE 3:2	SIZE A4	SHEET 2 OF 2
REV. A	WC-REV. A.2	Inspection item

**Amphenol LTW**  
 安費諾亮泰企業股份有限公司

ITEM NO	DRAWN BY Yulong_wang	DATE 2016-12-07
DWG NO MSAP-XXPMMR-SF8003	CHECKED BY Jinhai	DATE 2016-12-07
CUSTOMER ALTW	APPROVED BY jerry	DATE 2016-12-07

DATE 2016-12-07
DATE 2016-12-07
DATE 2016-12-07

## X-ON Electronics

Largest Supplier of Electrical and Electronic Components

*Click to view similar products for [Sensor Cables / Actuator Cables](#) category:*

*Click to view products by [Amphenol](#) manufacturer:*

Other Similar products are found below :

[60963](#) [60964](#) [M83513/19-F01CP](#) [703000D02F2002](#) [703001D02F0602](#) [703001D02F300](#) [704000D02F120](#) [773032K02F030](#) [802027107404-1](#)  
[802027213811-1](#) [804001A09M150](#) [805001A09M0502](#) [84914-0235](#) [84914-0237](#) [885030A09M020](#) [8R4J30E03C3003](#) [1200651332](#)  
[1200651713](#) [1200660844](#) [1200660845](#) [1200661173](#) [1200680071](#) [1200720053](#) [1200720081](#) [1200720099](#) [1200720217](#) [1200800231](#)  
[1200860125](#) [1200870123](#) [1200980102](#) [1200650267](#) [1200650298](#) [1200660183](#) [1200660782](#) [1200660849](#) [1200661295](#) [1200661297](#)  
[1200661342](#) [1200661343](#) [1200670080](#) [1200670220](#) [1200680331](#) [1200720252](#) [1200730184](#) [1200860344](#) [1200870359](#) [1200870643](#)  
[1200980008](#) [1200980031](#) [1210502211](#)