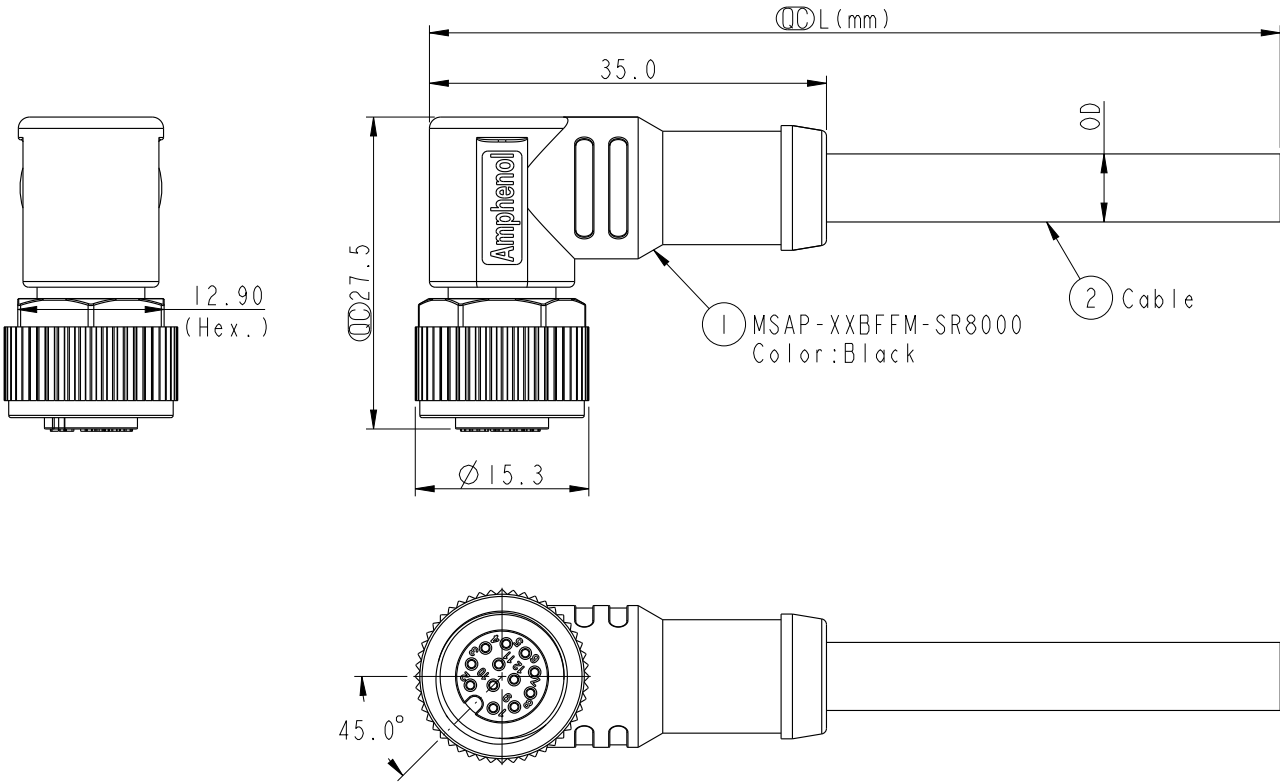
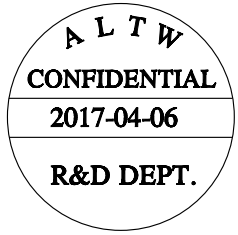




REV.	ECN NO.	DATE	SIGN	DESCRIPTION
B	LEN1580211~222	2015/08/10	Feng_Li	Add Black PVC Cable
C	LEN1680889~906	2016/08/10	Yulong_wang	Add 6Pin & IP69K.
D	LEN1750126~29	2017/04/06	Lingpeng	Change The Cable OD



- Notes:
- \*  $\varnothing$  Important Dimension.
  - \* Waterproof Rate: IP68, IP69K.
  - \* Connector: PU+GF, Black.
  - \* Female Pin: Copper Alloy, Gold Plated.
  - \* Screw Nut: Nylon, Black.
  - \* Outer Mold: PU, Black.
  - \* Cable: (A) UL2517, PVC Jacket, Yellow.  
(B) UL20549, PUR Jacket, Black.  
(D) UL2517, PVC Jacket, Black.
  - \* Rated Voltage: 3 & 4Pin 250V dc. or ac.  
5Pin 60V dc. or ac.  
6~12Pin 30V dc. or ac.
  - \* Rated Current: 3~5Pin 4A  
6~8Pin 2A  
10~12Pin 1.5A
  - \* Operating Temperature: -25~85°C
  - \* Cable Length Tolerance: 01M: ±40mm  
02M~05M: ±60mm  
06M~10M: ±100mm  
11M~30M: ±200mm  
31M~99M: ±500mm

UNIT: mm    
TOLERANCE  
±0.5mm

TITLE M12 A Type 90° Female Conn.			
SCALE 3:2	SIZE A4	SHEET 1 OF 3	
REV. D	WC-REV. A.3	$\varnothing$ : Inspection item	

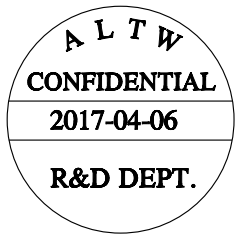
**Amphenol LTW**  
安費諾亮泰企業股份有限公司

ITEM NO	DRAWN BY Lingpeng	DATE 2017-04-06
DWG NO MSAP-XXBFFM-SR8XXX	CHECKED BY Ma Fei	DATE 2017-04-06
CUSTOMER ALTW	APPROVED BY Jerry	DATE 2017-04-06

THIS DOCUMENT IS SUBJECT TO CHANGE WITHOUT NOTICE. IT IS CONFIDENTIAL AND A PROPERTY OF Amphenol LTW. DISCLOSURE TO THIRD PARTY HAS TO BE AUTHORIZED BY Amphenol LTW.

THIS DOCUMENT IS SUBJECT TO CHANGE WITHOUT NOTICE. IT IS CONFIDENTIAL AND A PROPERTY OF Amphenol LTW. DISCLOSURE TO THIRD PARTY HAS TO BE AUTHORIZED BY Amphenol LTW.

F	2	3	4	5	6	7	8	△B	12P	PVC	6.0	26	MSAP-12BFFM-SR8DXX	
									10P				MSAP-10BFFM-SR8DXX	
E								△C	8P	PUR	5.5	24	MSAP-08BFFM-SR8DXX	
									6P				MSAP-06BFFM-SR8DXX	
									5P		5.1	22	MSAP-05BFFM-SR8DXX	
									4P				MSAP-04BFFM-SR8DXX	
									3P		4.5	MSAP-03BFFM-SR8DXX		
								D						
	10P	MSAP-10BFFM-SR8BXX												
	8P	4.8	24	MSAP-08BFFM-SR8BXX										
	6P			MSAP-06BFFM-SR8BXX										
	5P	4.4	22	MSAP-05BFFM-SR8BXX										
	4P			MSAP-04BFFM-SR8BXX										
C								△D	3P	PUR	4.0	22	MSAP-03BFFM-SR8BXX	
									12P				MSAP-12BFFM-SR8AXX	
									10P		5.5	24	MSAP-10BFFM-SR8AXX	
									8P				MSAP-08BFFM-SR8AXX	
									6P		5.0	22	MSAP-06BFFM-SR8AXX	
									5P				MSAP-05BFFM-SR8AXX	
B								△C	4P	PVC	4.8	22	MSAP-04BFFM-SR8AXX	
									3P				MSAP-03BFFM-SR8AXX	
									12P		6.0	26	MSAP-12BFFM-SR8AXX	
									10P				MSAP-10BFFM-SR8AXX	
									8P		5.5	24	MSAP-08BFFM-SR8AXX	
									6P				MSAP-06BFFM-SR8AXX	
A									5P	PVC	5.1	22	MSAP-05BFFM-SR8AXX	
									4P				MSAP-04BFFM-SR8AXX	
									3P		4.5	MSAP-03BFFM-SR8AXX		
									Contacts		Cable Jacket	Cable OD	AWG	Item No.



M SAP - XX B F F M - S R 8 X XX

SAP: A-Code Plastic Nut

03: 3Pin  
 04: 4Pin  
 05: 5Pin  
 06: 6Pin △C  
 08: 8Pin  
 10: 10Pin  
 12: 12Pin

B: Cable Without S/R(線端無網尾)  
 F: Female Connector(母座)  
 F: Female Pin(母Pin)

XX: 01~99Meters  
 01: 01Meter  
 02: 02Meters  
 :  
 99: 99Meters

A: PVC UL2517 Cable, Yellow (PVC黃色外被線材)  
 B: PUR UL20549 Cable, Black (PUR黑色外被線材)  
 △B D: PVC UL2517 Cable, Black (PVC黑色外被線材)

8: IP68/69K(防水等級6869K) △C  
 R: Right(90°線端)  
 S: Screw(螺紋式)  
 M: Molding Type(射出成型)

UNIT:mm	
TOLERANCE	±0.5mm

TITLE M12 A Type 90° Female Conn.			
SCALE 3:2	SIZE A4	SHEET 2 OF 3	
REV. D	WC-REV. A.3	QC: Inspection item	

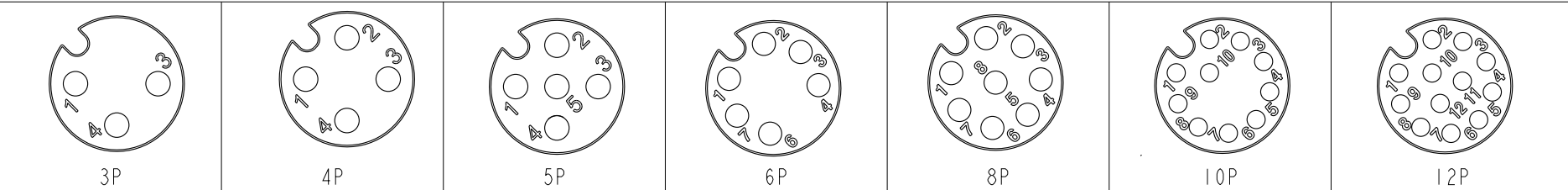
**Amphenol LTW**  
 安費諾亮泰企業股份有限公司

ITEM NO	DWG NO	CUSTOMER	DRAWN BY	CHECKED BY	APPROVED BY	DATE
	MSAP-XXBFFM-SR8XXX	ALTW	Lingpeng	Ma Fei	Jerry	2017-04-06



Pin #	Wire	Pin #	Wire	Pin #	Wire	Pin #	Wire	Pin #	Wire	Pin #	Wire	Pin #	Wire
5	--	5	--	5	Gray	8	--	8	Red	12	--	12	Red/Blue
4	Black	4	Black	4	Black	7	Blue	7	Blue	11	--	11	Gray/Pink
3	Blue	3	Blue	3	Blue	6	Pink	6	Pink	10	Violet	10	Violet
2	--	2	White	2	White	5	--	5	Gray	9	Black	9	Black
1	Brown	1	Brown	1	Brown	4	Yellow	4	Yellow	8	Red	8	Red
						3	Green	3	Green	7	Blue	7	Blue
						2	Brown	2	Brown	6	Pink	6	Pink
						1	White	1	White	5	Gray	5	Gray
										4	Yellow	4	Yellow
										3	Green	3	Green
										2	Brown	2	Brown
										1	White	1	White

Pin Out



Pin Assignments Front View

UNIT:mm	
TOLERANCE ±0.5mm	

TITLE M12 A Type 90° Female Conn.			
SCALE 3:2	SIZE A4	SHEET 3 OF 3	
REV. D	WC-REV. A.3	QC: Inspection item	

**Amphenol LTW**

安費諾亮泰企業股份有限公司

ITEM NO	DRAWN BY Lingpeng	DATE 2017-04-06
DWG NO MSAP-XXBFFM-SR8XXX	CHECKED BY Ma Fei	DATE 2017-04-06
CUSTOMER ALTW	APPROVED BY Jerry	DATE 2017-04-06

## X-ON Electronics

Largest Supplier of Electrical and Electronic Components

*Click to view similar products for [Sensor Cables / Actuator Cables](#) category:*

*Click to view products by [Amphenol](#) manufacturer:*

Other Similar products are found below :

[60963](#) [60964](#) [M83513/19-F01CP](#) [703000D02F2002](#) [703001D02F0602](#) [703001D02F300](#) [704000D02F120](#) [773032K02F030](#) [802027107404-1](#)  
[802027213811-1](#) [804001A09M150](#) [805001A09M0502](#) [84914-0235](#) [84914-0237](#) [885030A09M020](#) [8R4J30E03C3003](#) [1200651332](#)  
[1200651713](#) [1200660844](#) [1200660845](#) [1200661173](#) [1200680071](#) [1200720053](#) [1200720081](#) [1200720099](#) [1200720217](#) [1200800231](#)  
[1200860125](#) [1200870123](#) [1200980102](#) [1200650267](#) [1200650298](#) [1200660183](#) [1200660782](#) [1200660849](#) [1200661295](#) [1200661297](#)  
[1200661342](#) [1200661343](#) [1200670080](#) [1200670220](#) [1200680331](#) [1200720252](#) [1200730184](#) [1200860344](#) [1200870359](#) [1200870643](#)  
[1200980008](#) [1200980031](#) [1210502211](#)