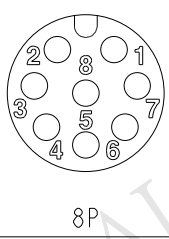
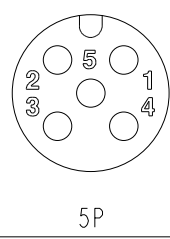
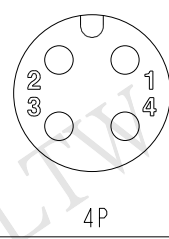
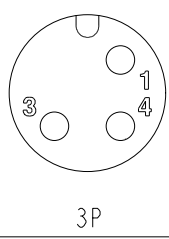
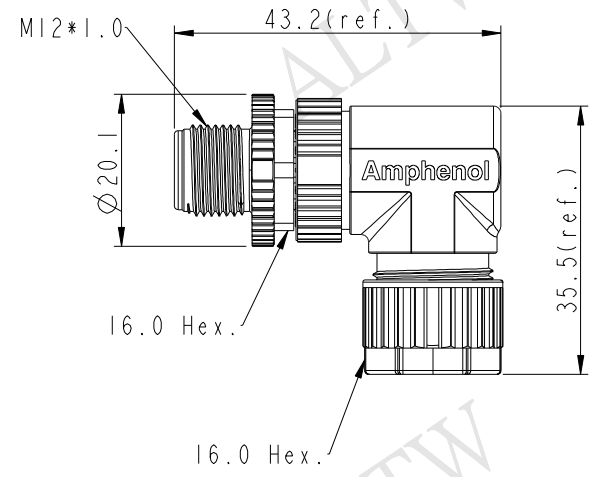
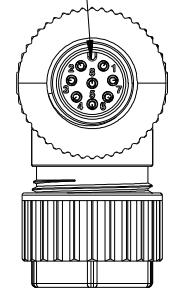
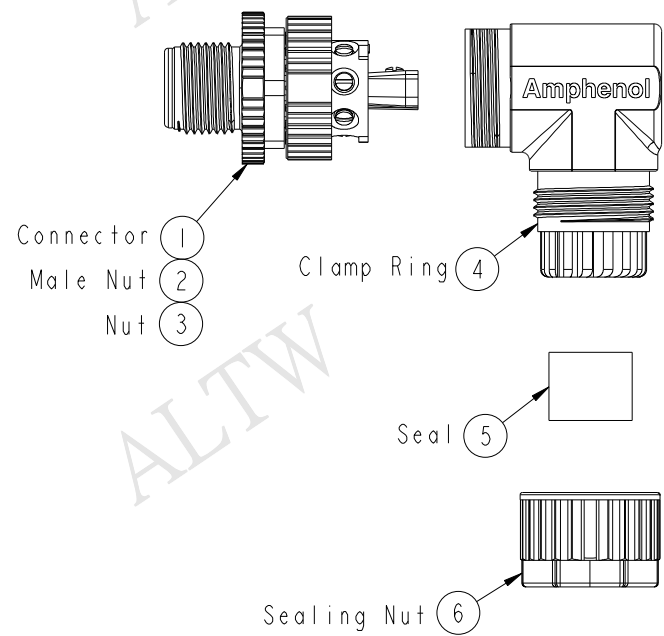


ALTW
CONFIDENTIAL
2015-09-29
R&D DEPT.

REV.	ECN NO.	DATE	SIGN	DESCRIPTION

360° Adjustable Key Code Direction



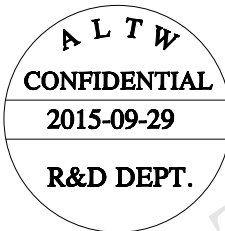
Pin Assignments Front View

UNIT:mm			TITLE
TOLERANCE			M12 A-code 90° Plastic Assy M Conn. M Pin
±0.5mm	SCALE	SIZE	SHEET
	1:1	A4	1 OF 2
	REV.	WC-REV.	QC: Inspection item
	A	A.2	

Amphenol LTW
 安費諾亮泰企業股份有限公司

ITEM NO	DRAWN BY	DATE
	Mila	2015-09-29
DWG NO	CHECKED BY	DATE
MSAP-XXBMMB-SR7001	Cary	2015-09-29
CUSTOMER	APPROVED BY	DATE
ALTW	Jerry	2015-09-29

THIS DOCUMENT IS SUBJECT TO CHANGE WITHOUT NOTICE. IT IS CONFIDENTIAL AND A PROPERTY OF Amphenol LTW. DISCLOSURE TO THIRD PARTY HAS TO BE AUTHORIZED BY Amphenol LTW.

F	<p>M SAP - XX B M M B - S R 7 001</p> <p>SAP: A-Code Plastic Nut</p> <p>03: 3Pin</p> <p>04: 4Pin</p> <p>05: 5Pin</p> <p>08: 8Pin</p> <p>B: Without S/R(無網尾)</p> <p>M: Male Connector(公座)</p> <p>M: Male Pin(公Pin)</p> <p>001: Without Cable</p> <p>7: IP67(防水等級67)</p> <p>R: Right(90°)</p> <p>S: Screw(螺紋式)</p> <p>B: Screw in Type(組裝式)</p>																																		
E																																			
D																																			
C																																			
B	<div style="display: flex; justify-content: space-between;"> <div style="width: 45%;">  </div> <div style="width: 50%;"> <p>Note:</p> <ul style="list-style-type: none"> * QC Important Dimension To Check. * Waterproof Rate: IP67 * Housing: Nylon,Black * Male Pin: Copper Alloy, Gold Plated * Male Nut: PBT+PC, Black * Nut: PBT+PC, Black * O-Ring: Silicon,Grey * Clamp Ring: Nylon,Black * Sealing Nut:PBT+PC,Black * Seal: Silicon,Grey * Seal For Cable OD: $\varnothing 4.0\text{mm} \sim \varnothing 7.0\text{mm}$ * Screws for Wire connection recommended tightening torque: 0.61~0.84 kgf.cm / 0.059~0.082 N.m * Applicable Wire gauge (Stranded wire cross section) 0.14mm² (26AWG) ~ 0.82mm² (18AWG) * Mating Recommended tightening torque: 3~4 kgf.cm / 0.29~0.39 N.m * Sealing-Nut Recommended tightening torque: 4~6 kgf.cm / 0.39~0.59 N.m * Detailed applicable wire specifications may vary depending on the actual wire construction. </div> </div>																																		
A	<table border="1" style="width: 100%; border-collapse: collapse;"> <tr> <td style="width: 15%;">UNIT:mm</td> <td style="width: 15%;"></td> <td style="width: 15%;"></td> <td style="width: 25%;">TITLE M12 A-code 90° Plastic Assy M Conn. M Pin</td> <td style="width: 20%; text-align: center; vertical-align: middle;"><h2 style="margin: 0;">Amphenol LTW</h2><p style="margin: 0;">安費諾亮泰企業股份有限公司</p></td> <td style="width: 10%;">ITEM NO</td> <td style="width: 10%;">DRAWN BY</td> <td style="width: 10%;">DATE</td> </tr> <tr> <td colspan="3">TOLERANCE $\pm 0.5\text{mm}$</td> <td>SCALE 1:1</td> <td>SIZE A4</td> <td>SHEET 2</td> <td>OF 2</td> <td>DWG NO MSAP-XXBMMB-SR7001</td> <td>CHECKED BY Cary</td> <td>DATE 2015-09-29</td> </tr> <tr> <td colspan="3"></td> <td>REV. A</td> <td>WC-REV. A.2</td> <td colspan="2">QC: Inspection item</td> <td>CUSTOMER ALTW</td> <td>APPROVED BY Jerry</td> <td>DATE 2015-09-29</td> </tr> </table>							UNIT:mm			TITLE M12 A-code 90° Plastic Assy M Conn. M Pin	<h2 style="margin: 0;">Amphenol LTW</h2> <p style="margin: 0;">安費諾亮泰企業股份有限公司</p>	ITEM NO	DRAWN BY	DATE	TOLERANCE $\pm 0.5\text{mm}$			SCALE 1:1	SIZE A4	SHEET 2	OF 2	DWG NO MSAP-XXBMMB-SR7001	CHECKED BY Cary	DATE 2015-09-29				REV. A	WC-REV. A.2	QC : Inspection item		CUSTOMER ALTW	APPROVED BY Jerry	DATE 2015-09-29
UNIT:mm			TITLE M12 A-code 90° Plastic Assy M Conn. M Pin	<h2 style="margin: 0;">Amphenol LTW</h2> <p style="margin: 0;">安費諾亮泰企業股份有限公司</p>	ITEM NO	DRAWN BY	DATE																												
TOLERANCE $\pm 0.5\text{mm}$			SCALE 1:1	SIZE A4	SHEET 2	OF 2	DWG NO MSAP-XXBMMB-SR7001	CHECKED BY Cary	DATE 2015-09-29																										
			REV. A	WC-REV. A.2	QC : Inspection item		CUSTOMER ALTW	APPROVED BY Jerry	DATE 2015-09-29																										
							8 FMM10702-01-02A1																												

X-ON Electronics

Largest Supplier of Electrical and Electronic Components

Click to view similar products for [Sensor Cables / Actuator Cables](#) category:

Click to view products by [Amphenol](#) manufacturer:

Other Similar products are found below :

[60963](#) [60964](#) [703000D02F2002](#) [703001D02F0602](#) [703001D02F300](#) [704000D02F120](#) [773032K02F030](#) [802027107404-1](#) [802027213811-1](#)
[804001A09M150](#) [805001A09M0502](#) [84914-0235](#) [84914-0237](#) [885030A09M020](#) [8R4J30E03C3003](#) [1200651332](#) [1200651713](#) [1200660844](#)
[1200660845](#) [1200661173](#) [1200680071](#) [1200720053](#) [1200720081](#) [1200720099](#) [1200720217](#) [1200800231](#) [1200860125](#) [1200870123](#)
[1200980102](#) [1200650267](#) [1200650298](#) [1200660183](#) [1200660782](#) [1200660849](#) [1200661295](#) [1200661297](#) [1200661342](#) [1200661343](#)
[1200670080](#) [1200670220](#) [1200680331](#) [1200720252](#) [1200730184](#) [1200860344](#) [1200870359](#) [1200870643](#) [1200980008](#) [1200980031](#)
[1210502211](#) [1210400542](#)