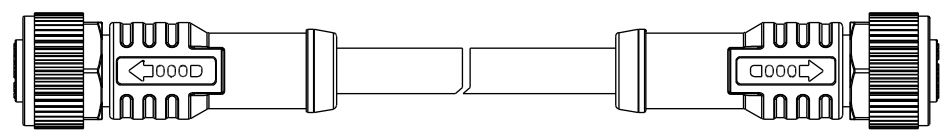
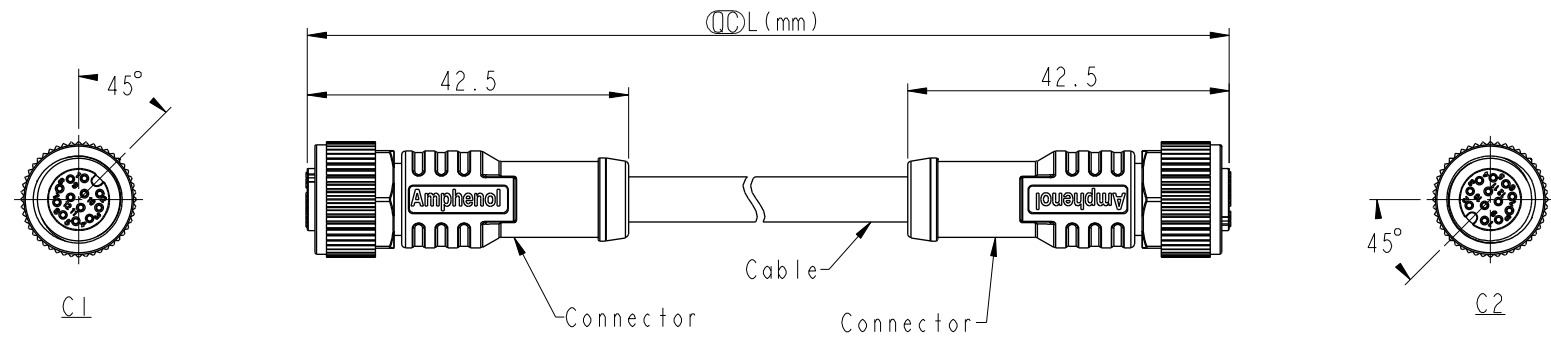


| REV. | DESCRIPTION |
|------|-------------|
| | |
| | |
| | |



Notes:

- * \varnothing Important Dimension.
- * Waterproof Rate: IP68, IP69K.
- * Connector: PU+GF, Black.
- * Pin: Copper Alloy, Gold Plated.
- * Screw Nut: Nylon, Black.
- * Outer Mold: PU, Black.
- * Cable: (B) UL20549, PUR Jacket, Black.
(D) UL2517, PVC Jacket, Black.
- * Rated Voltage: 3 & 4Pin 250V dc. or ac.
5Pin 60V dc. or ac.
6~12Pin 30V dc. or ac.
- * Rated Current: 3~5Pin 4A
6~8Pin 2A
10~12Pin 1.5A
- * Cable Length Tolerance: 0.5±20mm
01±40mm
02M~05M:±60mm
06M~10M:±100mm
11M~30M:±200mm
31M~99M:±500mm

F
E
D
C
B
A

THIS DOCUMENT IS SUBJECT TO CHANGE WITHOUT NOTICE. IT IS CONFIDENTIAL AND A PROPERTY OF Amphenol LTW. DISCLOSURE TO THIRD PARTY HAS TO BE AUTHORIZED BY Amphenol LTW.

| | | | | | | | |
|----------------------------------|----------------------------------|------------|---------------------------------|------------------|--------------------|--------------------------------|--------------------|
| UNIT:mm TOLERANCE ± 0.5 mm | TITLE MI2 A-Code Double Ended | | Amphenol LTW 安費諾亮泰企業股份有限公司 | | ITEM NO | DRAWN BY Ruru | DATE 2018-12-05 |
| | SCALE 1:2 | SIZE A4 | | | SHEET 1 OF 3 | DWG NO MSAPXXFL-SAPFL-SXXXX | CHECKED BY Rita |
| | REV. A | WC-REV. | \varnothing : Inspection item | CUSTOMER ALTW | APPROVED BY Max | DATE 2018-12-05 | 8 W10814-03-0001A2 |

THIS DOCUMENT IS SUBJECT TO CHANGE WITHOUT NOTICE. IT IS CONFIDENTIAL AND A PROPERTY OF Amphenol LTW. DISCLOSURE TO THIRD PARTY HAS TO BE AUTHORIZED BY Amphenol LTW.

1 2 3 4 5 6 7 8

| | | | | |
|----------|--------------|----------------------|-----|----------------------|
| 12P | PVC | 6.0 | 26 | MSAP12FL-SAPFL-SDXXX |
| 10P | | | | MSAP10FL-SAPFL-SDXXX |
| 8P | | 5.5 | 24 | MSAP08FL-SAPFL-SDXXX |
| 6P | | | | MSAP06FL-SAPFL-SDXXX |
| 5P | | 5.1 | 22 | MSAP05FL-SAPFL-SDXXX |
| 4P | | | | MSAP04FL-SAPFL-SDXXX |
| 3P | 4.8 | MSAP03FL-SAPFL-SDXXX | | |
| 12P | PUR | 6.0 | 26 | MSAP12FL-SAPFL-SBXXX |
| 10P | | | | MSAP10FL-SAPFL-SBXXX |
| 8P | | 4.8 | 24 | MSAP08FL-SAPFL-SBXXX |
| 6P | | | | MSAP06FL-SAPFL-SBXXX |
| 5P | | 5.0 | 22 | MSAP05FL-SAPFL-SBXXX |
| 4P | | | | MSAP04FL-SAPFL-SBXXX |
| 3P | 4.4 | MSAP03FL-SAPFL-SBXXX | | |
| | | 4.0 | | |
| | | 3.8 | | |
| Contacts | Cable Jacket | Cable OD | AWG | Item No. |

F

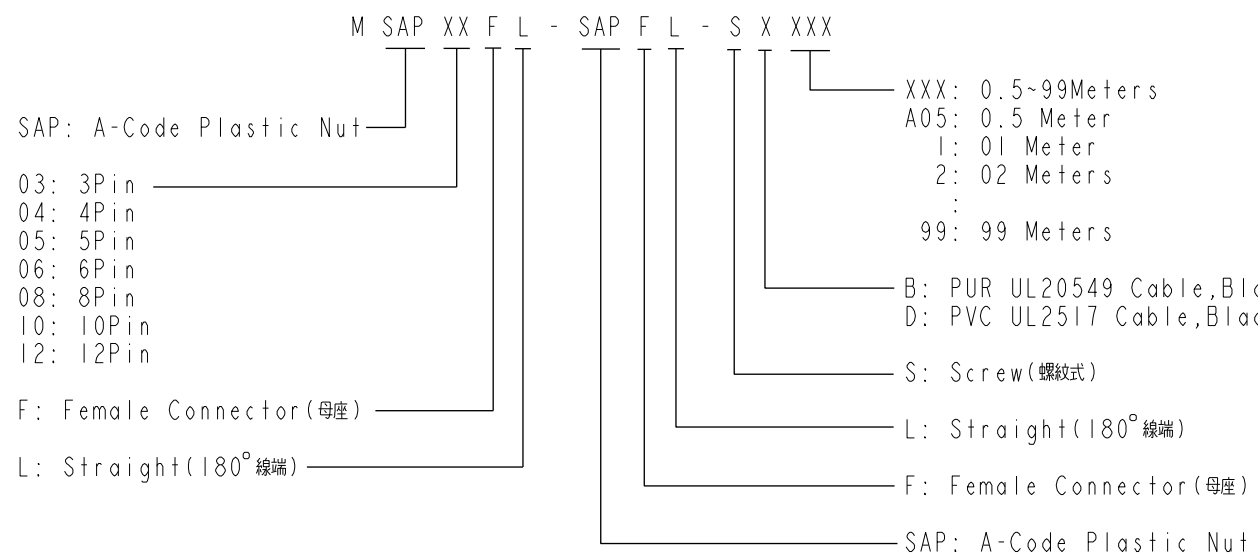
E

D

C

B

A



| | | | | | | | |
|-------------|----------------------------------|--------------|---------------------|--|--------------------|--------------------------------|--------------------|
| UNIT:mm | TITLE MI2 A-Code Double Ended | | | <h1 style="text-align: center;">Amphenol LTW</h1> <h2 style="text-align: center;">安費諾亮泰企業股份有限公司</h2> | ITEM NO | DRAWN BY Ruru | DATE 2018-12-05 |
| | TOLERANCE ± 0.5 mm | SCALE 1:2 | SIZE A4 | | SHEET 2 OF 3 | DWG NO MSAPXXFL-SAPFL-SXXXX | CHECKED BY Rita |
| | REV. A | WC-REV. | QC: Inspection item | CUSTOMER ALTW | APPROVED BY Max | DATE 2018-12-05 | |

1 2 3 4 5 6 7 8 W10814-03-001A2

| Pin Out | Pin # | Wire | Pin # | Wire | Pin # | Wire | Pin # | Wire | Pin # | Wire | Pin # | Wire |
|---------|-------|------|-------|-------|-------|-------|-------|--------|-------|--------|-------|--------|
| 5 | -- | | 5 | -- | 5 | Gray | 5 | -- | 8 | -- | 12 | -- |
| 4 | Black | 黑 | 4 | Black | 4 | Black | 4 | Yellow | 7 | Blue | 11 | -- |
| 3 | Blue | 藍 | 3 | Blue | 3 | Blue | 3 | Green | 6 | Pink | 10 | Violet |
| 2 | -- | | 2 | White | 2 | White | 2 | Brown | 5 | -- | 9 | Black |
| 1 | Brown | 棕 | 1 | Brown | 1 | Brown | 1 | White | 4 | Yellow | 8 | Red |
| | | | | | | | | | 3 | Green | 7 | Blue |
| | | | | | | | | | 2 | Brown | 6 | Pink |
| | | | | | | | | | 1 | White | 5 | Gray |
| | | | | | | | | | | | 4 | Yellow |
| | | | | | | | | | | | 3 | Green |
| | | | | | | | | | | | 2 | Brown |
| | | | | | | | | | | | 1 | White |

| C1 & C2 | Pin # | Wire | Pin # | Wire | Pin # | Wire | Pin # | Wire | Pin # | Wire | Pin # | Wire |
|---------|-------|-------|-------|-------|-------|-------|-------|--------|-------|--------|-------|--------|
| | 1 | Black | 1 | Black | 1 | Gray | 1 | White | 1 | White | 1 | White |
| | 2 | Blue | 2 | Blue | 2 | Blue | 2 | Brown | 2 | Brown | 2 | Brown |
| | 3 | Blue | 3 | Blue | 3 | Blue | 3 | White | 3 | Green | 3 | Green |
| | 4 | Black | 4 | Black | 4 | Black | 4 | Yellow | 4 | Yellow | 4 | Yellow |
| | 5 | Black | 5 | Black | 5 | Gray | 5 | Gray | 5 | Gray | 5 | Gray |
| | 6 | Blue | 6 | Blue | 6 | Blue | 6 | Yellow | 6 | Pink | 6 | Pink |
| | 7 | Blue | 7 | Blue | 7 | Blue | 7 | Green | 7 | Blue | 7 | Blue |
| | 8 | Black | 8 | Black | 8 | Black | 8 | Brown | 8 | Red | 8 | Red |
| | 9 | Blue | 9 | Blue | 9 | Blue | 9 | White | 9 | Black | 9 | Black |
| | 10 | Blue | 10 | Blue | 10 | Blue | 10 | White | 10 | Violet | 10 | Violet |
| | 11 | Black | 11 | Black | 11 | Black | 11 | White | 11 | -- | 11 | -- |
| | 12 | Black | 12 | Black | 12 | Black | 12 | White | 12 | -- | 12 | -- |

Pin Assignments Front View

| | | | | | | | |
|----------------------------------|----------------------------------|------------|--------------------------------------|------------------|--------------------|--------------------------------|--------------------|
| UNIT:mm TOLERANCE ± 0.5 mm | TITLE MI2 A-Code Double Ended | | Amphenol LTW 安費諾亮泰企業股份有限公司 | | ITEM NO | DRAWN BY Ruru | DATE 2018-12-05 |
| | SCALE 1:2 | SIZE A4 | | | SHEET 3 OF 3 | DWG NO MSAPXXFL-SAPFL-SXXXX | CHECKED BY Rita |
| | REV. A | WC-REV. | (QC): Inspection item | CUSTOMER ALTW | APPROVED BY Max | DATE 2018-12-05 | |

X-ON Electronics

Largest Supplier of Electrical and Electronic Components

Click to view similar products for [Sensor Cables / Actuator Cables](#) category:

Click to view products by [Amphenol](#) manufacturer:

Other Similar products are found below :

[1300070444](#) [43-10984](#) [M83513/19-F01CP](#) [704000D02F120](#) [MDM15SH001K](#) [MDM25PH003BF222](#) [802027107404-1](#) [885030A09M010](#)
[885030A09M020](#) [1200650174](#) [1200651332](#) [1200651713](#) [1200660171](#) [1200660208](#) [1200660343](#) [1200660804](#) [1200660845](#) [1200660926](#)
[1200660977](#) [1200661173](#) [1200661354](#) [120066-1712](#) [1200720053](#) [1200720099](#) [1200720153](#) [1200720172](#) [1200720217](#) [1200720226](#)
[1200720251](#) [1200720285](#) [1200720296](#) [1200720404](#) [1200720537](#) [1200730148](#) [1200730378](#) [1200800231](#) [1200860112](#) [1200860121](#)
[1200860125](#) [1200860337](#) [1200860365](#) [1200860420](#) [1200870046](#) [1200870123](#) [1200870248](#) [1200980102](#) [1200660181](#) [1200660183](#)
[1200660827](#) [1200660849](#)