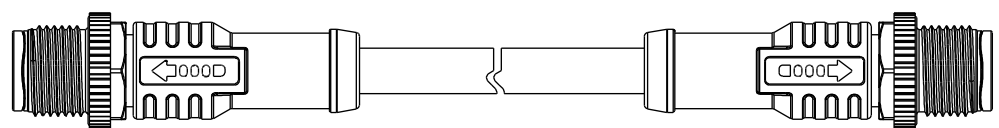
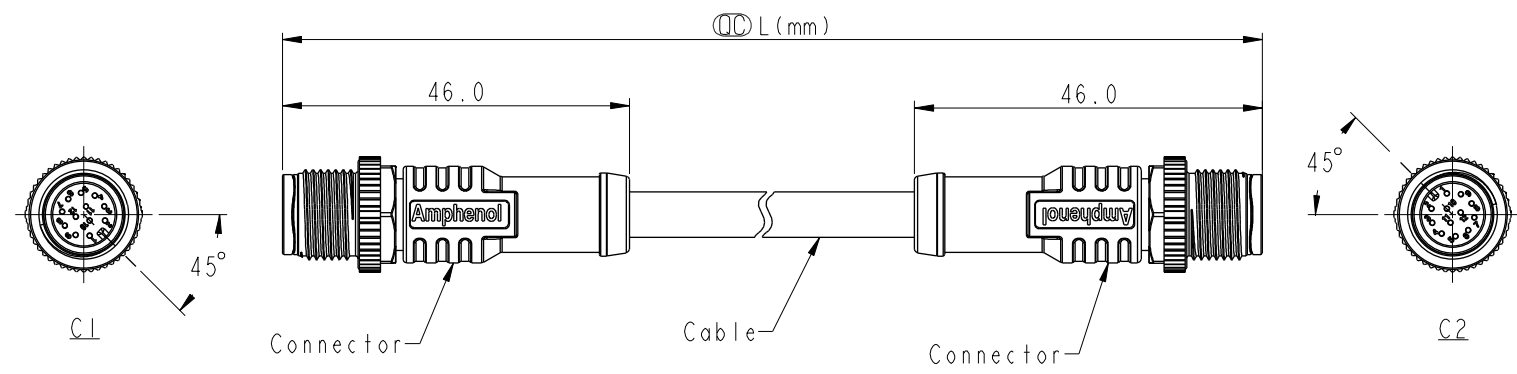


REV.	DESCRIPTION



- Note:
- \*  $\varnothing$  Important Dimension.
  - \* Waterproof Rate: IP68, IP69K.
  - \* Connector: PU+GF, Black.
  - \* Pin: Copper Alloy, Gold Plated.
  - \* Screw Nut: Nylon, Black.
  - \* Outer Mold: PU, Black.
  - \* Cable: (B) UL20549, PUR Jacket, Black.  
(D) UL2517, PVC Jacket, Black.
  - \* Rated Voltage: 3 & 4Pin 250V dc. or ac.  
5Pin 60V dc. or ac.  
6~12Pin 30V dc. or ac.
  - \* Rated Current: 3~5Pin 4A  
6~8Pin 2A  
10~12Pin 1.5A
  - \* Cable Length Tolerance: 0.5±20mm  
01±40mm  
02M~05M:±60mm  
06M~10M:±100mm  
11M~30M:±200mm  
31M~99M:±500mm

UNIT:mm	
TOLERANCE	±0.5 mm

TITLE M12 A-Code Double Ended		
SCALE 1:2	SIZE A4	SHEET 1 OF 3
REV. A	WC-REV.	$\varnothing$ : Inspection item

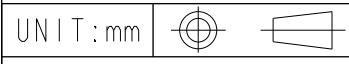
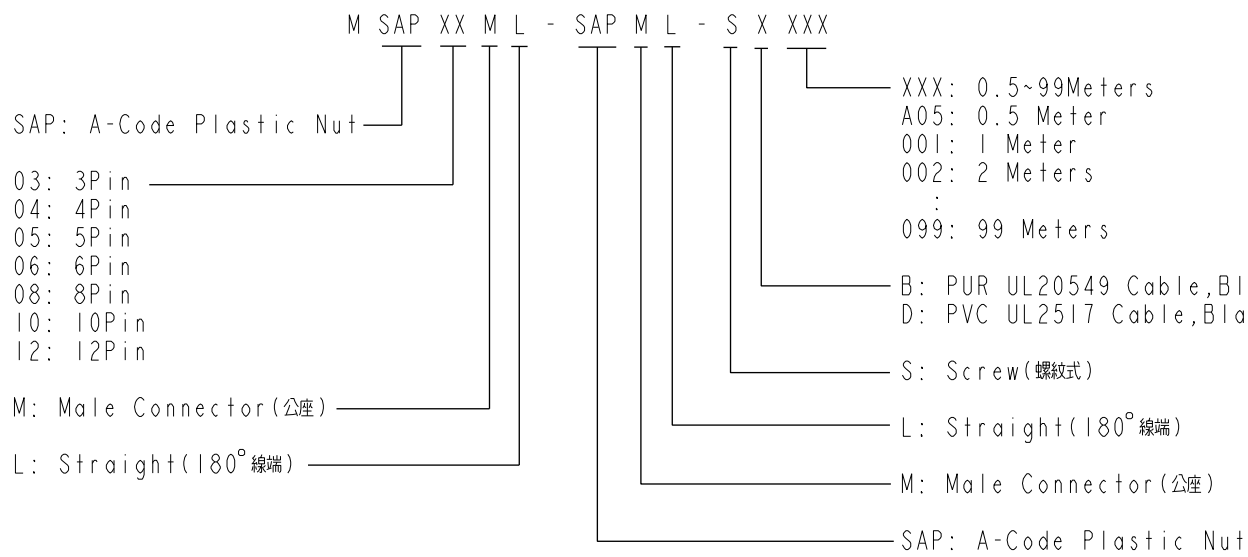
**Amphenol LTW**  
安費諾亮泰企業股份有限公司

ITEM NO	DRAWN BY Vicky	DATE 2018-12-05
DWG NO MSAPXXML-SAPML-SXXXX	CHECKED BY Rita	DATE 2018-12-05
CUSTOMER ALTW	APPROVED BY Max	DATE 2018-12-05

THIS DOCUMENT IS SUBJECT TO CHANGE WITHOUT NOTICE. IT IS CONFIDENTIAL AND A PROPERTY OF Amphenol LTW. DISCLOSURE TO THIRD PARTY HAS TO BE AUTHORIZED BY Amphenol LTW.

THIS DOCUMENT IS SUBJECT TO CHANGE WITHOUT NOTICE. IT IS CONFIDENTIAL AND A PROPERTY OF Amphenol LTW. DISCLOSURE TO THIRD PARTY HAS TO BE AUTHORIZED BY Amphenol LTW.

12P	PVC	6.0	26	MSAP12ML-SAPML-SDXXX
10P		5.5	24	MSAP10ML-SAPML-SDXXX
8P				MSAP08ML-SAPML-SDXXX
6P				MSAP06ML-SAPML-SDXXX
5P		5.1	22	MSAP05ML-SAPML-SDXXX
4P		4.8		MSAP04ML-SAPML-SDXXX
3P	4.5	MSAP03ML-SAPML-SDXXX		
12P	PUR	6.0	26	MSAP12ML-SAPML-SBXXX
10P		4.8	24	MSAP10ML-SAPML-SBXXX
8P				MSAP08ML-SAPML-SBXXX
6P				MSAP06ML-SAPML-SBXXX
5P		4.4	22	MSAP05ML-SAPML-SBXXX
4P		4.0		MSAP04ML-SAPML-SBXXX
3P	3.8	MSAP03ML-SAPML-SBXXX		
Contacts	Cable Jacket	Cable OD	AWG	Item No.



UNIT: mm				TITLE M12 A-Code Double Ended			
TOLERANCE				SCALE 1:2	SIZE A4	SHEET 2 OF 3	
REV. A				WC-REV.		QC: Inspection item	

**Amphenol LTW**  
安費諾亮泰企業股份有限公司

ITEM NO	DRAWN BY Vicky	DATE 2018-12-05
DWG NO MSAPXXXML-SAPML-SXXXX	CHECKED BY Rita	DATE 2018-12-05
CUSTOMER ALTW	APPROVED BY Max	DATE 2018-12-05



## X-ON Electronics

Largest Supplier of Electrical and Electronic Components

*Click to view similar products for [Sensor Cables / Actuator Cables](#) category:*

*Click to view products by [Amphenol](#) manufacturer:*

Other Similar products are found below :

[1300070444](#) [43-10984](#) [M83513/19-F01CP](#) [704000D02F120](#) [MDM15SH001K](#) [MDM25PH003BF222](#) [802027107404-1](#) [885030A09M010](#)  
[885030A09M020](#) [1200650174](#) [1200651332](#) [1200651713](#) [1200660171](#) [1200660208](#) [1200660343](#) [1200660804](#) [1200660845](#) [1200660926](#)  
[1200660977](#) [1200661173](#) [1200661354](#) [120066-1712](#) [1200720053](#) [1200720099](#) [1200720153](#) [1200720172](#) [1200720217](#) [1200720226](#)  
[1200720251](#) [1200720285](#) [1200720296](#) [1200720404](#) [1200720537](#) [1200730148](#) [1200730378](#) [1200800231](#) [1200860112](#) [1200860121](#)  
[1200860125](#) [1200860337](#) [1200860365](#) [1200860420](#) [1200870046](#) [1200870123](#) [1200870248](#) [1200980102](#) [1200660181](#) [1200660183](#)  
[1200660827](#) [1200660849](#)