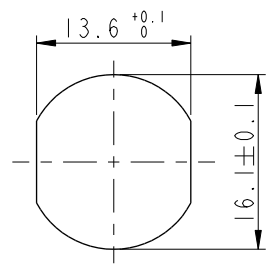


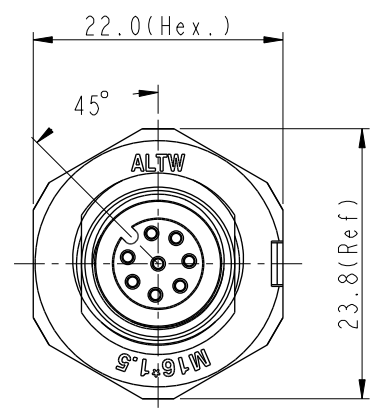
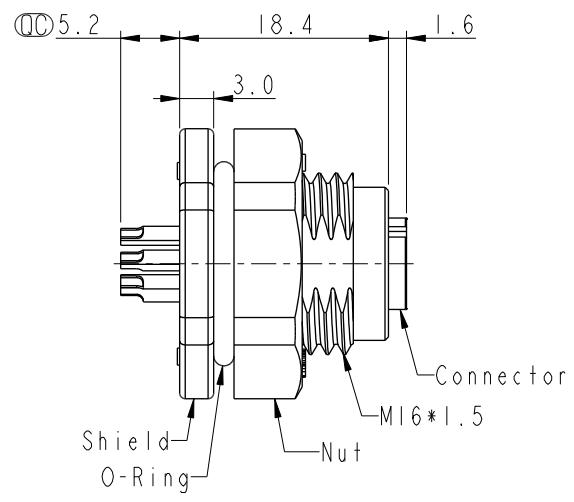
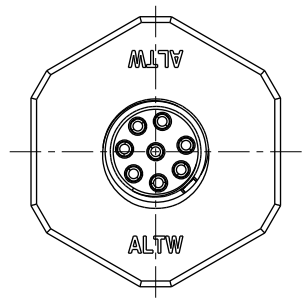
THIS DOCUMENT IS SUBJECT TO CHANGE WITHOUT NOTICE. IT IS CONFIDENTIAL AND A PROPERTY OF Amphenol LTW. DISCLOSURE TO THIRD PARTY HAS TO BE AUTHORIZED BY Amphenol LTW.

REV.	ECN NO.	DATE	SIGN	DESCRIPTION
B	LEN1790333-36	2017/09/19	Lingpeng	Modofy The Item No.
C	C201067	2020/07/13	Nan_Su	$\triangle$ C X1
D	C210309	2021/03/05	Ruru	$\triangle$ D X3

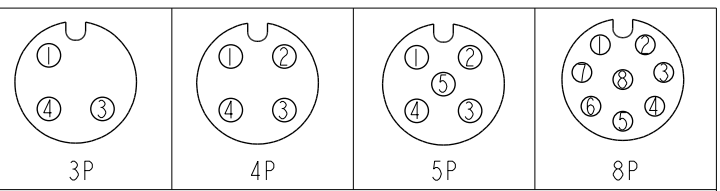


$\triangle$ D  
MSAP-XXPFFS-SF8002  
XX: No. Of Pin

Recommended  
Panel Cut-Out



- $\triangle$ D Note:
- \* RoHS Compliant
  - \*  $\text{\textcircled{C}}$  Important dimension
  - \* Waterproof rate: IPX8, unmated 1m/24h
  - \* Connector
    - Housing: Thermoplastic, Black
    - Pin: Copper alloy, Gold plated
    - O-Ring: Rubber, Gray
  - \* Shield: Thermoplastic, Black
  - \* Nut: Thermoplastic, Black
  - \* O-Ring: Rubber, Gray
  - \* For panel thickness max: 4.9mm
  - \* Nut is packed separately in pe bag



Pin Assignment Front View

UNIT: mm			TITLE N SEN, M12 A -PLASTIC, SCREW RECEPTACLE, F, F, SOLDER $\triangle$ D
TOLERANCE .X ±0.25 .XX ±0.1 .XXX ±0.05 ANGLES ±1°	SCALE 3:2	SIZE A4	SHEET 1 OF 1
	REV. D	WC-REV. .0	$\text{\textcircled{C}}$ : Inspection item

**Amphenol LTW**  
安費諾亮泰企業股份有限公司

ITEM NO.	DRAWN BY Lingpeng	DATE 2017-09-19
DWG NO. MSAP-XXPFFS-SF8002	CHECKED BY Mafei	DATE 2017-09-19
CUSTOMER ALTW	APPROVED BY Jerry	DATE 2017-09-19

## X-ON Electronics

Largest Supplier of Electrical and Electronic Components

*Click to view similar products for [Circular Metric Connectors](#) category:*

*Click to view products by [Amphenol](#) manufacturer:*

Other Similar products are found below :

[600X518037X](#) [6STD15PCR99B70A](#) [8R4000A16M020](#) [8R5000A16M005](#) [1200910002](#) [1203580030](#) [1200910008](#) [1200910011](#) [1300140094](#)  
[130203-0054](#) [1300140026](#) [1300150099](#) [1-3637-600-5205](#) [1612618](#) [21036836414](#) [8R4006A16M010](#) [1R3006A20M005](#) [41-40011](#) [42-00006](#)  
[42-01015](#) [4-22279-4](#) [4-22281-1](#) [4-22284-9](#) [43-00113](#) [43-01203](#) [41-40013](#) [42-00008](#) [43-00343](#) [43-01026](#) [43-01162](#) [43-01173](#) [43-10000](#)  
[XS3P-M421-2](#) [600X518050X](#) [8R5006A16M020](#) [8R5006A16M005](#) [8R4000A16M010](#) [6-22279-3](#) [1605332](#) [N03FA03144](#) [1300140077](#) [43-](#)  
[16213](#) [43-01338](#) [XS2RD4265](#) [XS2R-D426-1](#) [XS8A-0441](#) [859RD04-103R004](#) [860RD04-113R004](#) [860RD04-213R004](#) [1-213245-2](#)