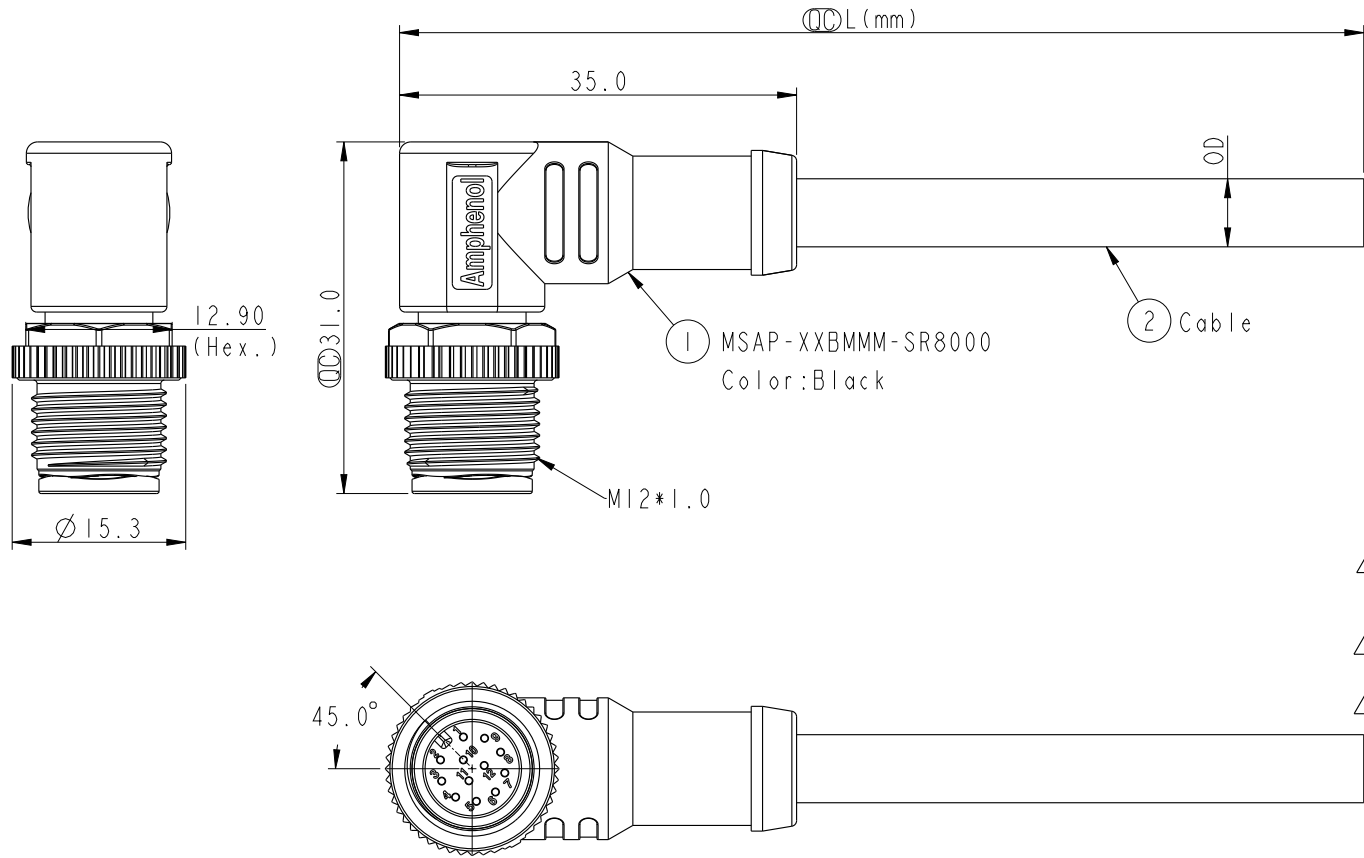


REV.	ECN NO.	DATE	SIGN	DESCRIPTION
B	LEN1580235~246	2015/08/10	Feng_Li	Add Black PVC Cable
C	LEN1680704~721	2016/08/13	Yulong_wang	Add 6Pin & IP69K.
D	LEN1750136~39	2017/04/06	Lingpeng	Change The Cable OD



- Notes:
- * \varnothing Important Dimension.
 - * $\triangle C$ Waterproof Rate: IP68, IP69K.
 - * Connector: PU+GF,Black.
 - * Male Pin: Copper Alloy, Gold Plated.
 - * $\triangle B$ Screw Nut:Nylon,Black..
 - * Outer Mold: PU,Black.
 - * $\triangle B$ Cable: (A) UL2517,PVC Jacket,Yellow.
(B) UL20549,PUR Jacket,Black.
(D) UL2517,PVC Jacket,Black.
 - * Rated Voltage: 3 & 4Pin 250V dc. or ac.
5Pin 60V dc. or ac.
6~12Pin 30V dc. or ac.
 - * Rated Current: 3~5Pin 4A
6~8Pin 2A
10~12Pin 1.5A
 - * Operating Temperature: -25~85°C
 - * Cable Length Tolerance: 01M:±40mm
02M~05M:±60mm
06M~10M:±100mm
11M~30M:±200mm

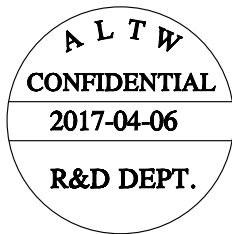
UNIT:mm		
TOLERANCE		
±0.5mm		

TITLE M12 A Type 90° Male Conn.		
SCALE 3:2	SIZE A4	SHEET 1 OF 3
REV. D	WC-REV. A.1	\varnothing : Inspection item

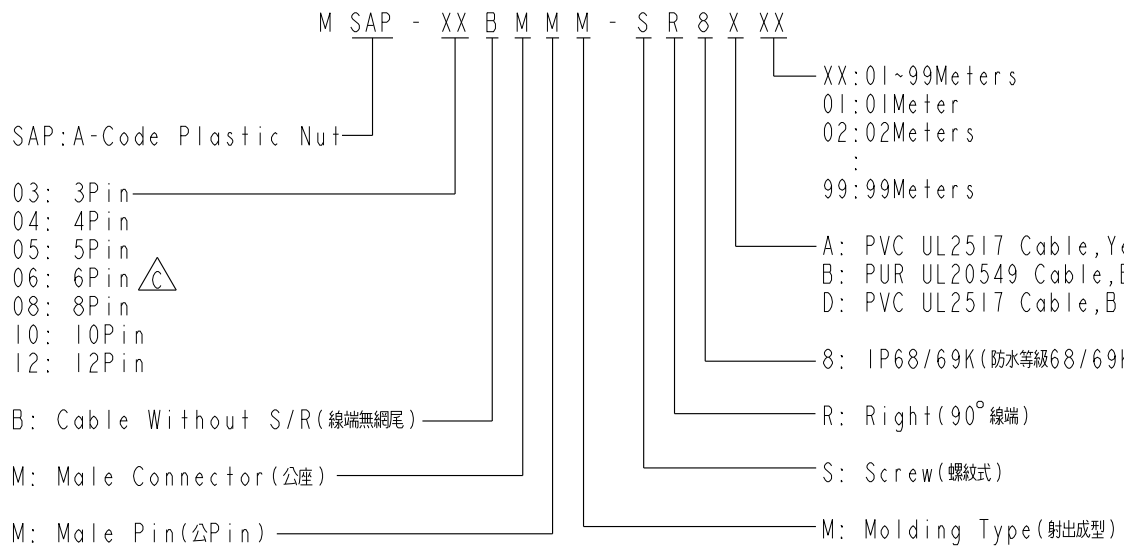
Amphenol LTW
安費諾亮泰企業股份有限公司

ITEM NO	DRAWN BY Lingpeng	DATE 2017-04-06
DWG NO MSAP-XXBMMM-SR8XXX	CHECKED BY Ma Fei	DATE 2017-04-06
CUSTOMER ALTW	APPROVED BY Jerry	DATE 2017-04-06

THIS DOCUMENT IS SUBJECT TO CHANGE WITHOUT NOTICE. IT IS CONFIDENTIAL AND A PROPERTY OF Amphenol LTW. DISCLOSURE TO THIRD PARTY HAS TO BE AUTHORIZED BY Amphenol LTW.



Contacts	Cable Jacket	Cable OD	AWG	Item No.
△B	PVC	6.0	26	MSAP-12BMMM-SR8DXX
				MSAP-10BMMM-SR8DXX
△C	PVC	5.5	24	MSAP-08BMMM-SR8DXX
				MSAP-06BMMM-SR8DXX
	PVC	5.1	22	MSAP-05BMMM-SR8DXX
				MSAP-04BMMM-SR8DXX
	PVC	4.8	22	MSAP-03BMMM-SR8DXX
				MSAP-03BMMM-SR8BXX
△D	PUR	6.0	26	MSAP-12BMMM-SR8BXX
				MSAP-10BMMM-SR8BXX
△C	PUR	4.8	24	MSAP-08BMMM-SR8BXX
				MSAP-06BMMM-SR8BXX
△D	PUR	5.0	22	MSAP-05BMMM-SR8BXX
				MSAP-04BMMM-SR8BXX
	PUR	4.4	22	MSAP-03BMMM-SR8BXX
				MSAP-03BMMM-SR8BXX
△C	PVC	6.0	26	MSAP-12BMMM-SR8AXX
				MSAP-10BMMM-SR8AXX
	PVC	5.5	24	MSAP-08BMMM-SR8AXX
				MSAP-06BMMM-SR8AXX
	PVC	5.0	22	MSAP-05BMMM-SR8AXX
				MSAP-04BMMM-SR8AXX
	PVC	4.8	22	MSAP-03BMMM-SR8AXX
				MSAP-03BMMM-SR8AXX



UNIT: mm		TITLE
TOLERANCE	±0.5mm	M12 A Type 90° Male Conn.
SCALE	3:2	SIZE A4
REV.	D	SHEET 2 OF 3
WC-REV.	A.1	QC: Inspection item

Amphenol LTW
安費諾亮泰企業股份有限公司

ITEM NO	DRAWN BY	DATE
DWG NO	CHECKED BY	DATE
CUSTOMER	APPROVED BY	DATE

MSAP-XXBMMM-SR8XXX
ALTW
Lingpeng
Ma Fei
Jerry
2017-04-06
2017-04-06
2017-04-06

THIS DOCUMENT IS SUBJECT TO CHANGE WITHOUT NOTICE. IT IS CONFIDENTIAL AND A PROPERTY OF Amphenol LTW. DISCLOSURE TO THIRD PARTY HAS TO BE AUTHORIZED BY Amphenol LTW.

X-ON Electronics

Largest Supplier of Electrical and Electronic Components

Click to view similar products for [Sensor Cables / Actuator Cables](#) category:

Click to view products by [Amphenol](#) manufacturer:

Other Similar products are found below :

[60963](#) [60964](#) [M83513/19-F01CP](#) [703000D02F2002](#) [703001D02F0602](#) [703001D02F300](#) [704000D02F120](#) [773032K02F030](#) [802027107404-1](#)
[802027213811-1](#) [804001A09M150](#) [805001A09M0502](#) [84914-0235](#) [84914-0237](#) [885030A09M020](#) [8R4J30E03C3003](#) [1200651332](#)
[1200651713](#) [1200660844](#) [1200660845](#) [1200661173](#) [1200680071](#) [1200720053](#) [1200720081](#) [1200720099](#) [1200720217](#) [1200800231](#)
[1200860125](#) [1200870123](#) [1200980102](#) [1200650267](#) [1200650298](#) [1200660183](#) [1200660782](#) [1200660849](#) [1200661295](#) [1200661297](#)
[1200661342](#) [1200661343](#) [1200670080](#) [1200670220](#) [1200680331](#) [1200720252](#) [1200730184](#) [1200860344](#) [1200870359](#) [1200870643](#)
[1200980008](#) [1200980031](#) [1210502211](#)