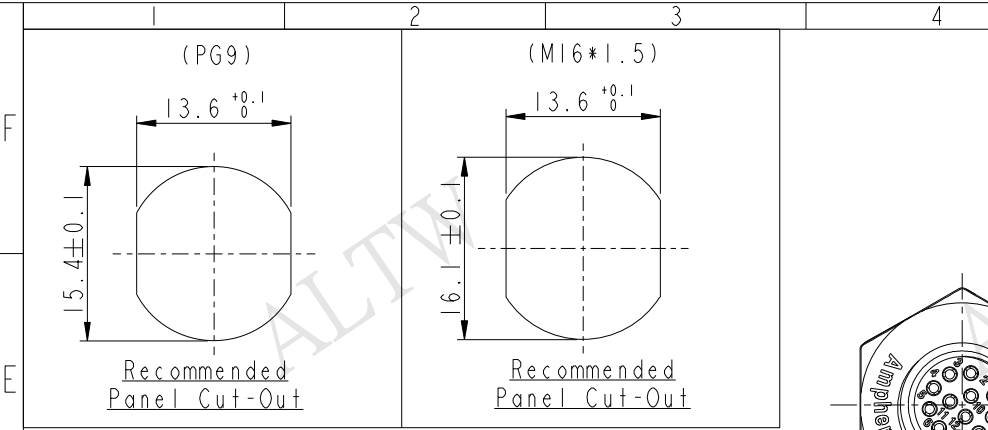


THIS DOCUMENT IS SUBJECT TO CHANGE WITHOUT NOTICE. IT IS CONFIDENTIAL AND A PROPERTY OF Amphenol LTW. DISCLOSURE TO THIRD PARTY HAS TO BE AUTHORIZED BY Amphenol LTW.

REV.	ECN NO.	DATE	SIGN	DESCRIPTION
A	Initial Release	2017-05-22	Feng_Li	Change Rev.01 To Rev.A



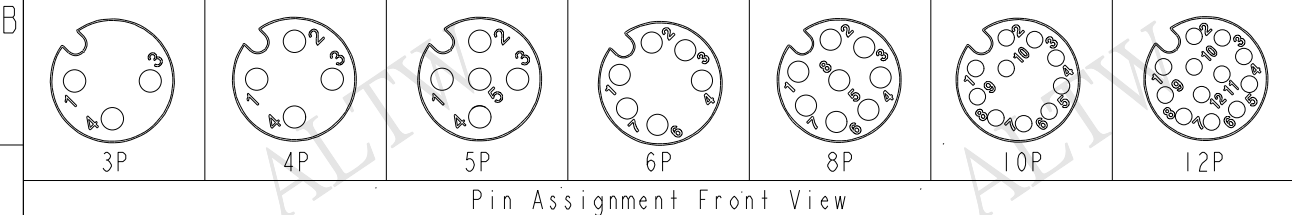
M SAS - XX P F F S - S F 8 XXX

SAS: A-Code Shielded  
 03: 3Pin  
 04: 4Pin  
 05: 5Pin  
 06: 6Pin  
 08: 8Pin  
 10: 10Pin  
 12: 12Pin

P: Panel (板端)  
 F: Female Connector (母座)

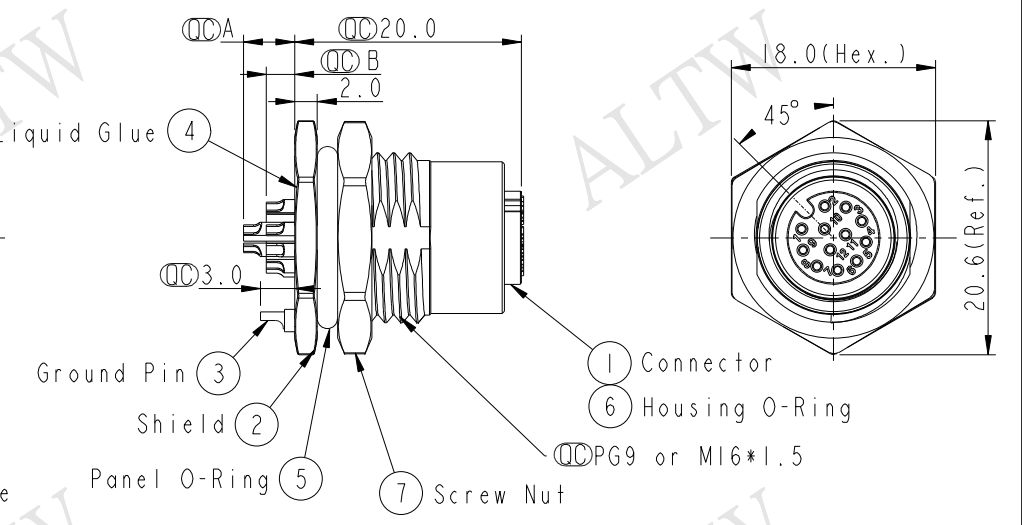
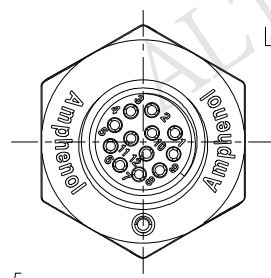
001: PG9  
 002: M16\*1.5  
 8: IP68/69K (防水等級68/69K)  
 F: Front Fasten (前鎖式/Enclosure Rear Mount)  
 S: Screw (螺紋式)  
 S: Solder Type (焊接式)  
 F: Female Pin (母Pin)

MSAS-03PFFS-SF8XXX	2.5
MSAS-04PFFS-SF8XXX	2.5
MSAS-05PFFS-SF8XXX	2.5
MSAS-06PFFS-SF8XXX	2.5
MSAS-08PFFS-SF8XXX	2.5
MSAS-10PFFS-SF8XXX	4.5 2.5
MSAS-12PFFS-SF8XXX	4.5 2.5
Item No.	A B
	Pin伸出長度



UNIT: mm		TITLE
TOLERANCE	.X ±0.25 .XX ±0.1 .XXX ±0.05 ANGLES ±1°	M12 A-Code Female Conn. Solder Front Type Shielded
SCALE	3:2	SIZE A4
REV.	A	SHEET 1 OF 1
	WC-REV. A.5	QC: Inspection item

**Amphenol LTW**  
 安費諾亮泰企業股份有限公司



**ALTW**  
 CONFIDENTIAL  
 2017-05-22  
 R&D DEPT.

Note:

- \*  $\varnothing$  Important Dimension.
- \* Waterproof Rate: IP68, IP69K.
- \* Housing: Nylon+GF, Black.
- \* Female Pin: Copper Alloy, Gold Plated.
- \* Shield: Zinc Alloy, Nickel Plated.
- \* Screw Nut: Zinc Alloy, Nickel Plated.
- \* Panel O-Ring: Viton, Black.
- \* Housing O-Ring: Viton, Green.
- \* Rated Voltage: 3 & 4Pin 250V dc. or ac.  
5Pin 60V dc. or ac.  
6-12Pin 30V dc. or ac.
- \* Rated Current: 3-5Pin 4A  
6-8Pin 2A  
10-12Pin 1.5A
- \* Operating Temperature: -40~105°C
- \* For Panel Thickness Max 4.5mm.
- \* Recommended Nut Torque: 4-6 Kgf.cm.

ITEM NO.	DRAWN BY	DATE
DWG NO.	Checked By	DATE
CUSTOMER	APPROVED BY	DATE
ALTW	Feng_Li Jinhai Jerry	2017-05-22 2017-05-22 2017-05-22

## X-ON Electronics

Largest Supplier of Electrical and Electronic Components

*Click to view similar products for [Circular Metric Connectors](#) category:*

*Click to view products by [Amphenol](#) manufacturer:*

Other Similar products are found below :

[600X518037X](#) [MA1EAF1200](#) [6STD15PCR99B70A](#) [8R4000A16M020](#) [8R4A00A18M020](#) [8R5000A16M005](#) [1200910008](#) [1200910011](#)  
[1300140094](#) [130203-0054](#) [1300150099](#) [RF-12S1N8A90DU](#) [1-3637-600-5205](#) [1612618](#) [8R4006A16M010](#) [8R5006A18A120](#) [1604232](#)  
[1R3006A20M005](#) [RF-12P1N8A80DU](#) [RF-12P1N8A90DU](#) [41-01016](#) [41-40011](#) [41-40017](#) [42-01015](#) [4-22279-4](#) [4-22281-1](#) [4-22284-9](#) [43-](#)  
[00002](#) [43-01166](#) [41-40005](#) [41-40016](#) [43-00161](#) [43-01191](#) [XS3P-M421-2](#) [600X518050X](#) [SACC-DSI-FS-5P-PG9-L180 SC](#) [8R4006A16A120](#)  
[8R4000A16M010](#) [RKC 50/16](#) [1R3004A20A1201](#) [6-22279-3](#) [N03FA03144](#) [1300140077](#) [XS8A-0441](#) [859RD04-103R004](#) [860RD04-113R004](#)  
[860RD04-213R004](#) [860-X08-213R004](#) [1-213245-2](#) [2273142-2](#)