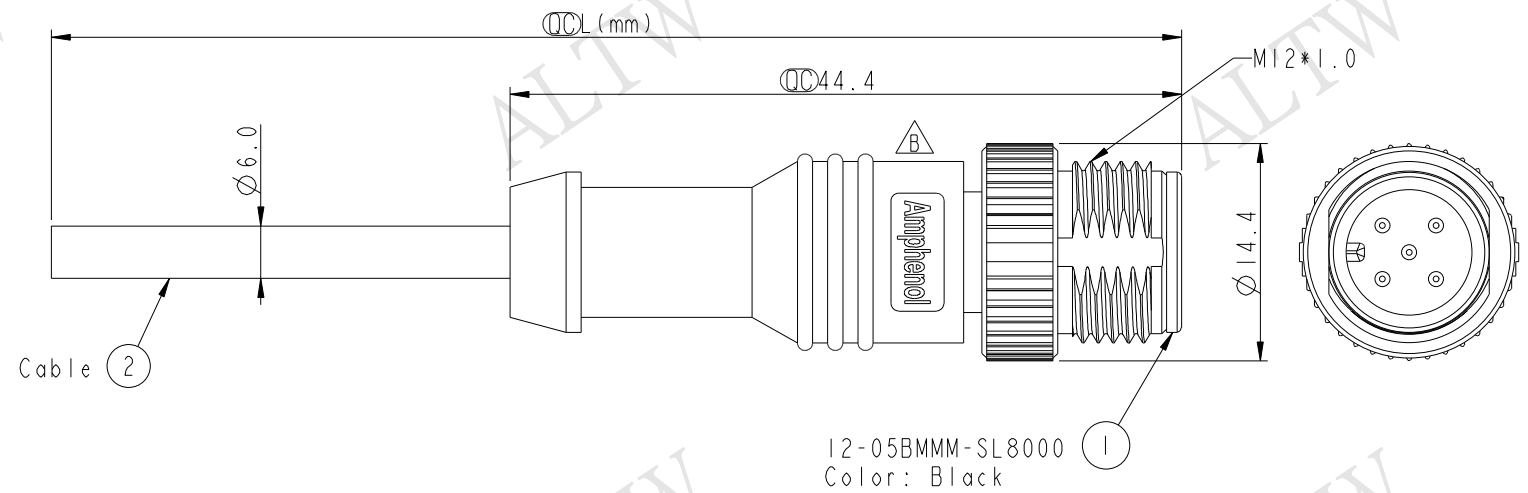


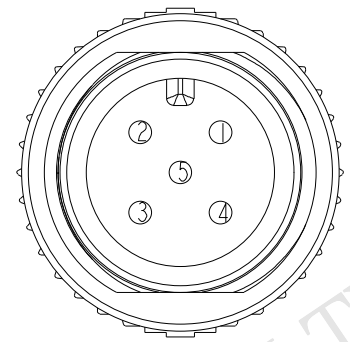
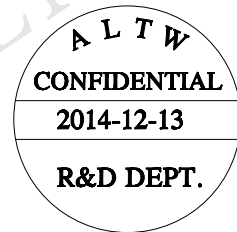
THIS DOCUMENT IS SUBJECT TO CHANGE WITHOUT NOTICE. IT IS CONFIDENTIAL AND A PROPERTY OF Amphenol LTW. DISCLOSURE TO THIRD PARTY HAS TO BE AUTHORIZED BY Amphenol LTW.

REV.	ECN NO.	DATE	SIGN	DESCRIPTION
B	LEN1530137-141	2014/12/13	Jinhai	Change Logo



12-05BMMM-SL8AXX
 ↑
 XX:01~99Meters
 01:01 Meters
 02:02 Meters
 ...
 99:99 Meters

Cable Length(L):01~99Meters



Pin Assignments
Front View

5	Blue	(24AWG)	Twist
4	White	(24AWG)	
3	Black	(22AWG)	Twist
2	Red	(22AWG)	
1	Shield	(22AWG)	
Conn.	Wire Color		
	Pin Out		

Notes:

- * ϕ Important Dimension.
- * Waterproof Rate: IP68.
- * Connector: Polyurethane (PU), Black
- * Male Pin: Copper Alloy, Gold Plated
- * Cable: (24AWG*IP+AI)+(22AWG*IP+AI)+Drain+Al.Mylar+Braid, OD=6.0mm
- * Cable Length Tolerance: 1M~10M±5%mm, 11M~99M±500mm.

UNIT:mm		
TOLERANCE	±0.5mm	

TITLE M12 Conn NMEA Cable Screw 5P M Conn M Pin			
SCALE 2:1	SIZE A4	SHEET 1 OF 1	
REV. B	WC-REV. A.1	ϕ : Inspection item	

Amphenol LTW
 安費諾亮泰企業股份有限公司

ITEM NO	DRAWN BY Jinhai	DATE 2014-12-13
DWG NO MC-05BMMM-SL8AXX	CHECKED BY Tom	DATE 2014-12-13
CUSTOMER ALTW	APPROVED BY Jerry	DATE 2014-12-13

X-ON Electronics

Largest Supplier of Electrical and Electronic Components

Click to view similar products for [Circular Metric Connectors](#) category:

Click to view products by [Amphenol](#) manufacturer:

Other Similar products are found below :

[600X518037X](#) [6STD15PCR99B70A](#) [8R4000A16M020](#) [8R5000A16M005](#) [1200910002](#) [1203580030](#) [1200910008](#) [1200910011](#) [1300140094](#)
[130203-0054](#) [1300140026](#) [1300150099](#) [RF-12S1N8A90DU](#) [1-3637-600-5205](#) [1612618](#) [21036836414](#) [8R4006A16M010](#) [1R3006A20M005](#)
[RF-12P1N8A90DU](#) [41-40011](#) [42-00006](#) [42-01015](#) [4-22279-4](#) [4-22281-1](#) [4-22284-9](#) [43-00113](#) [43-01088](#) [43-01203](#) [41-40013](#) [42-00008](#) [43-](#)
[00343](#) [43-01026](#) [43-01162](#) [43-01173](#) [43-10000](#) [XS3P-M421-2](#) [600X518050X](#) [SACC-DSI-FS-5P-PG9-L180 SC](#) [8R5006A16M020](#)
[8R5006A16M005](#) [8R4000A16M010](#) [6-22279-3](#) [1605332](#) [N03FA03144](#) [1300140077](#) [43-16213](#) [43-01338](#) [XS2RD4265](#) [XS2R-D426-1](#)
[XS8A-0441](#)