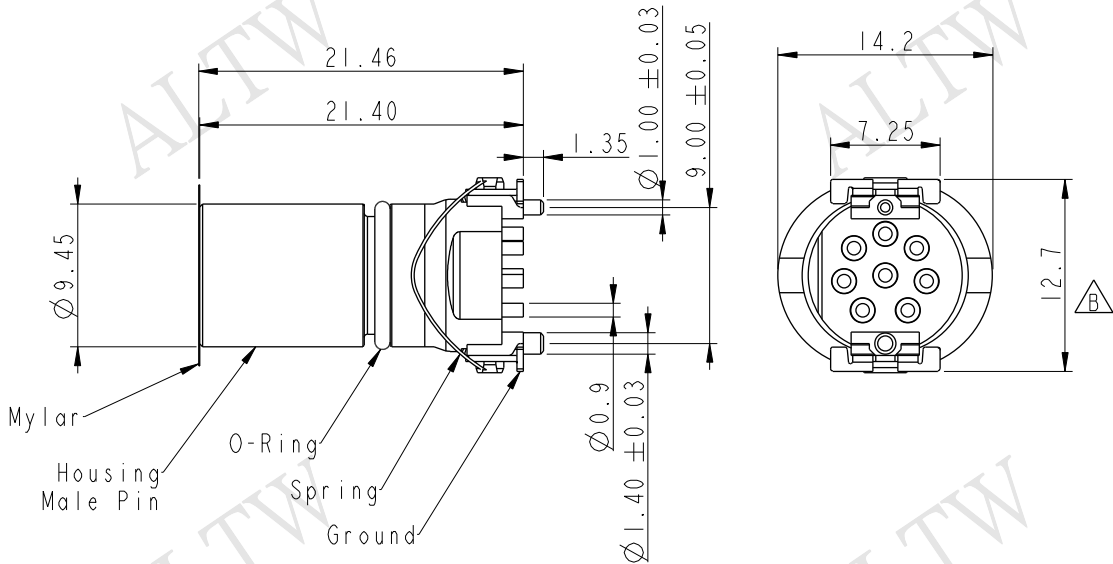
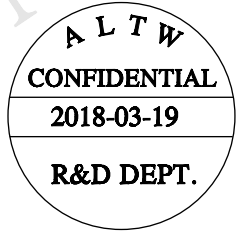


REV.	ECN NO.	DATE	SIGN	DESCRIPTION
A	Initial Release	2017/12/16	Arvin Chan	Change Rev.01 To Rev.A
B	LEN1840030~4	2018/03/19	Jason Yu	Update Design & Box



MS * S - * * P M M T - E E 8 0 0 1

MSAS: M12 A Code Shield
 MSBS: M12 B Code Shield
 MSDS: M12 D Code Shield
 03: 3Pin
 04: 4Pin
 05: 5Pin
 08: 8Pin
 P: Panel
 M: Male Connector

001: Serial Number
 8: IP68(Mated, 1M/24Hours)
 IP65(Unmated)
 E: None Back Shell
 E: None Mating Style
 T: SMT Type
 M: Male Pin

Note:
 * Ⓞ Important Dimension,
 Material Specification:
 * Housing: Thermoplastic
 * Male Pin: Copper Alloy, Gold Plated
 * Ground: Copper Alloy, Tin Plated
 * Spring: Stainless Steel
 * O-Ring: Silicone, Gray
 Electrical Specification:
 * Contact Resistance: 10mΩ Max.
 * Insulation Resistance: 100MΩ min.
 * Dielectric Withstanding Voltage: 1KV
 * Rated Voltage: 3Pin, 4Pin 250V d.c. or a.c.
 5Pin 60V d.c. or a.c.
 8Pin 30V d.c. or a.c.
 * Rated Current: 3Pin, 4Pin & 5Pin 4A
 8Pin 2A
 Mechanical Specification:
 * Durability: 1000 Cycles (IEC: 100 Cycles)
 Environmental Specification:
 * Temperature Range: -55~125°C
 * Salt Spray: 48h
 * SMT Temperature & Time: 260°C/5Sec
 * SMT Paste: 0.12mm min.

UNIT: mm		
TOLERANCE	.X ±0.25	.XX ±0.1
.XXX ±0.05	ANGLES ±1°	

TITLE M12 M CONN M PIN SMT TYPE			
SCALE 1:1	SIZE A4	SHEET 1 OF 4	
REV. B	WC-REV. A.2	QC: Inspection item	

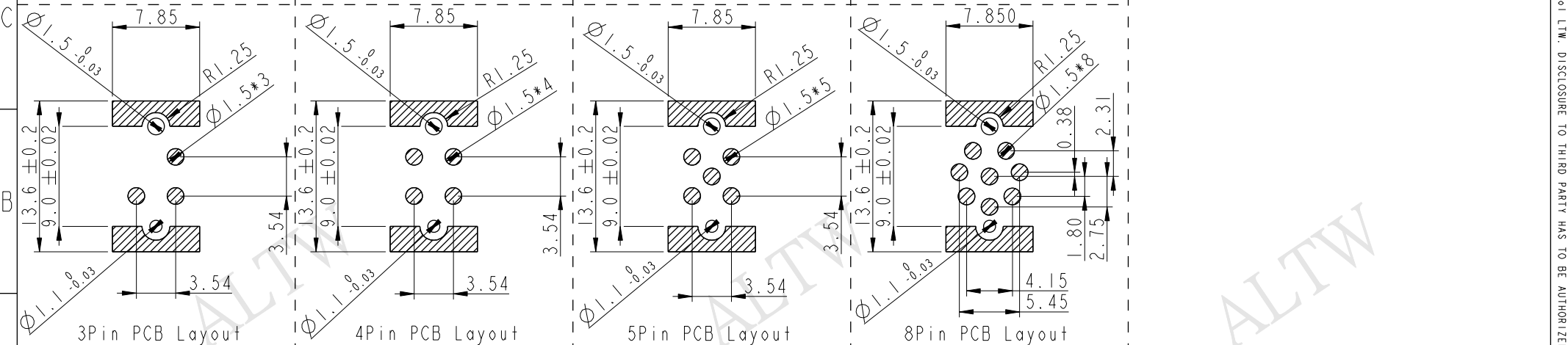
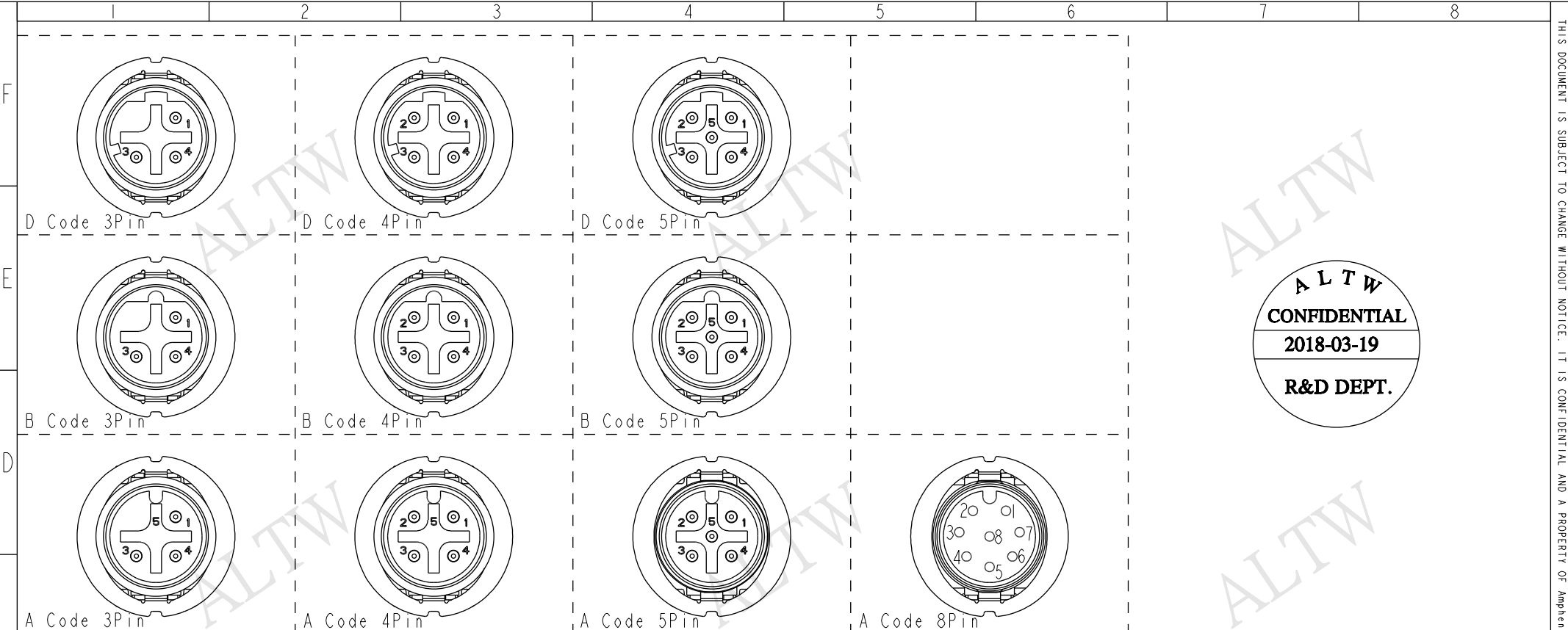
Amphenol LTW
 安費諾亮泰企業股份有限公司

ITEM NO	DRAWN BY Jason Yu	DATE 2018/03/19
DWG NO MSXS-XXPMMT-EE8XXX	CHECKED BY Arvin Chan	DATE 2018/03/19
CUSTOMER ALTW	APPROVED BY Kevin Hu	DATE 2018/03/19

THIS DOCUMENT IS SUBJECT TO CHANGE WITHOUT NOTICE. IT IS CONFIDENTIAL AND A PROPERTY OF AMPHENOL LTW. DISCLOSURE TO THIRD PARTY HAS TO BE AUTHORIZED BY AMPHENOL LTW.

THIS DOCUMENT IS SUBJECT TO CHANGE WITHOUT NOTICE. IT IS CONFIDENTIAL AND A PROPERTY OF Amphenol LTW. DISCLOSURE TO THIRD PARTY HAS TO BE AUTHORIZED BY Amphenol LTW.

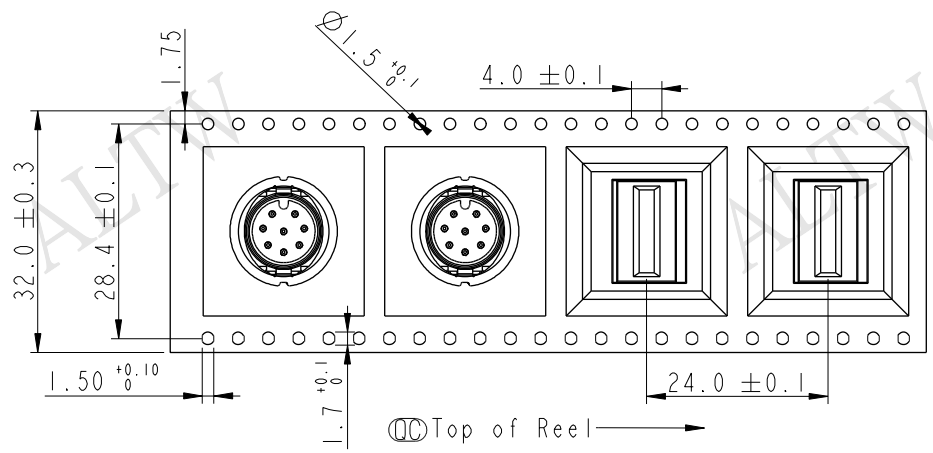
ALTW
CONFIDENTIAL
 2018-03-19
R&D DEPT.



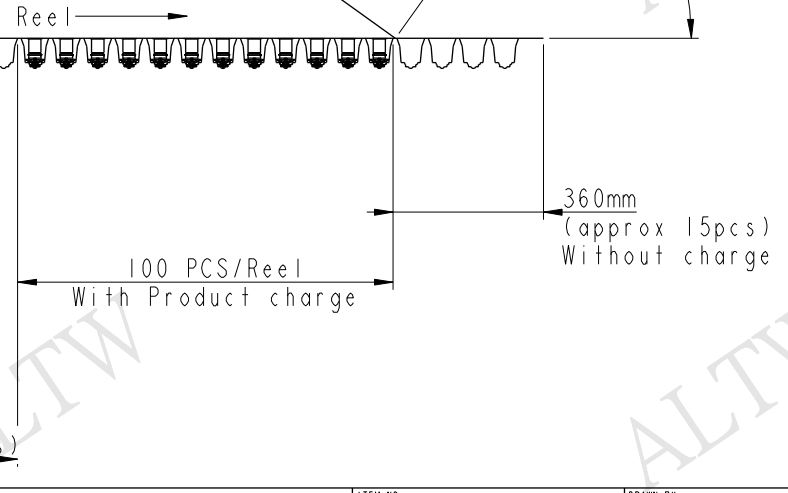
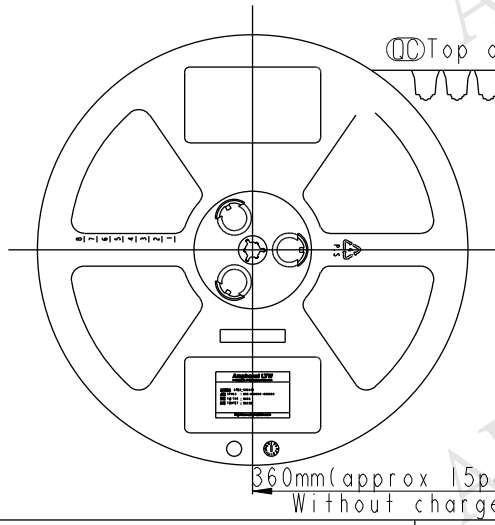
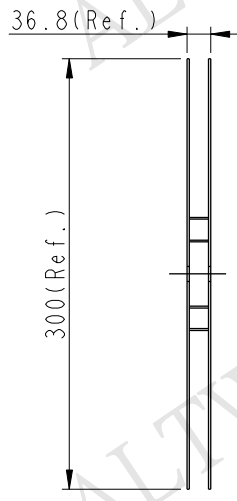
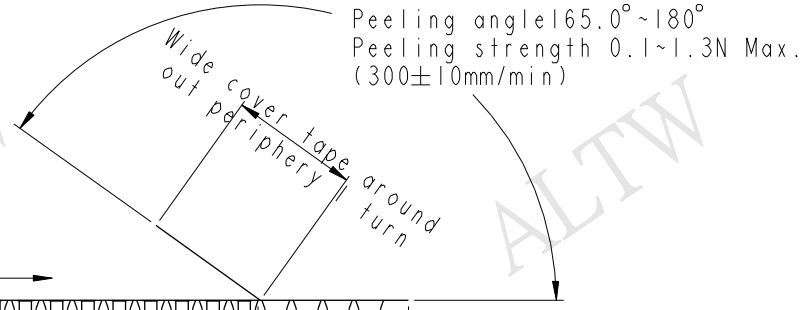
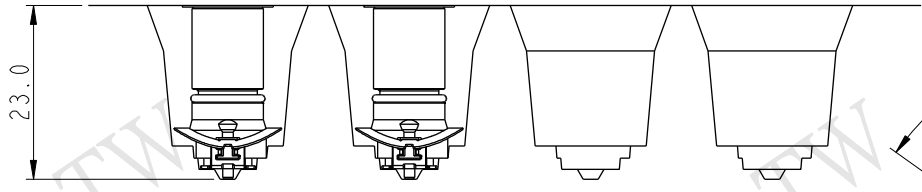
UNIT: mm TOLERANCE .X ±0.25 .XX ±0.1 .XXX ±0.05 ANGLES ±1°	TITLE M12 M CONN M PIN SMT TYPE			Amphenol LTW 安費諾亮泰企業股份有限公司		ITEM NO MSXS-XXPMMT-EE8XXX	DRAWN BY Jason Yu	DATE 2018/03/19
	SCALE 1:1	SIZE A4	SHEET 2 OF 4	REV. B WC-REV. A.3 Inspection item		DWG NO MSXS-XXPMMT-EE8XXX	CHECKED BY Arvin Chan	DATE 2018/03/19
						CUSTOMER ALTW	APPROVED BY Kevin Hu	DATE 2018/03/19

THIS DOCUMENT IS SUBJECT TO CHANGE WITHOUT NOTICE. IT IS CONFIDENTIAL AND A PROPERTY OF AMPHENOL LTW. DISCLOSURE TO THIRD PARTY HAS TO BE AUTHORIZED BY AMPHENOL LTW.

ALTW
CONFIDENTIAL
 2018-03-19
R&D DEPT.



Note :
 ◎◎ * Connector Orientat follow Drawing



UNIT: mm

TOLERANCE	
.X	±0.25
.XX	±0.1
.XXX	±0.05
ANGLES	±1°

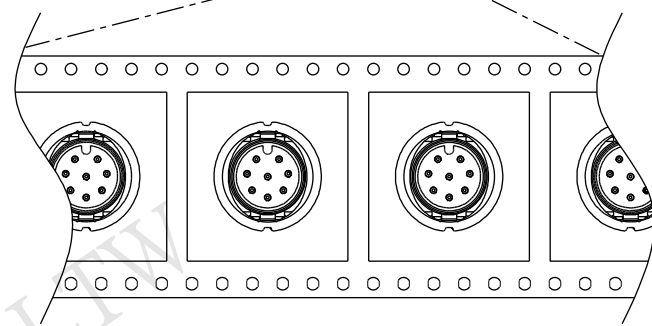
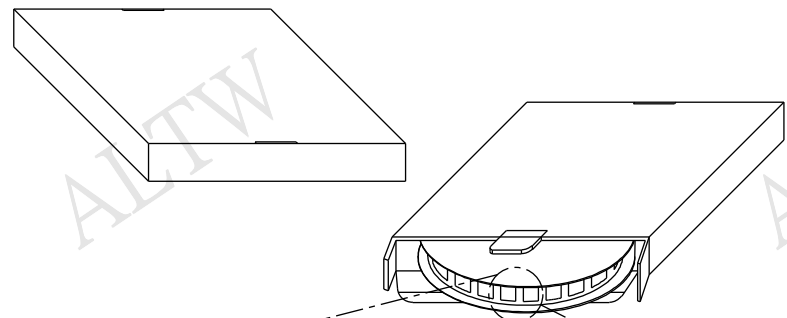
TITLE M12 M CONN M PIN SMT TYPE			
SCALE	SIZE	SHEET	OF
1:1	A4	3	4
REV.	WC-REV.	◎◎: Inspection item	
B	A.3		

Amphenol LTW
 安費諾亮泰企業股份有限公司

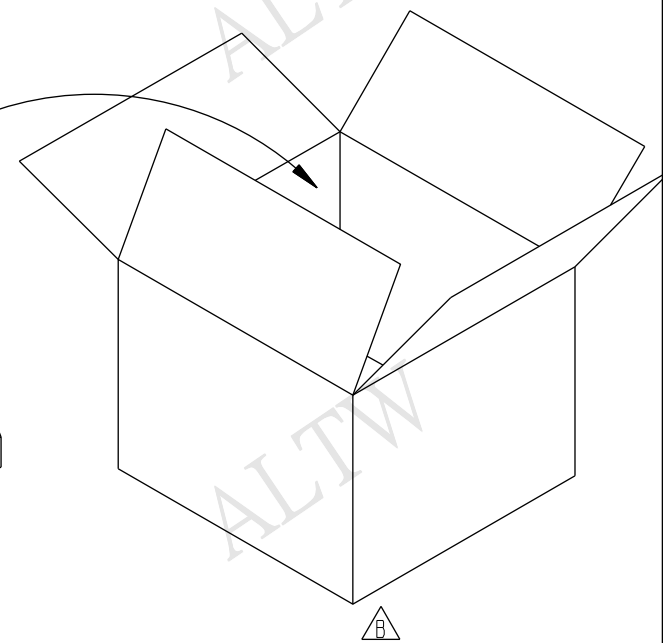
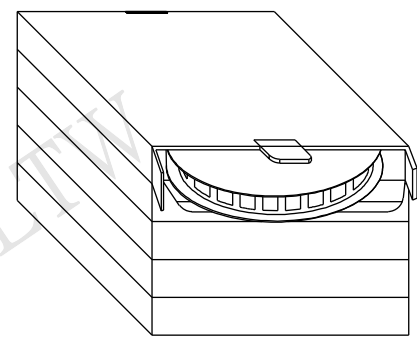
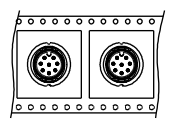
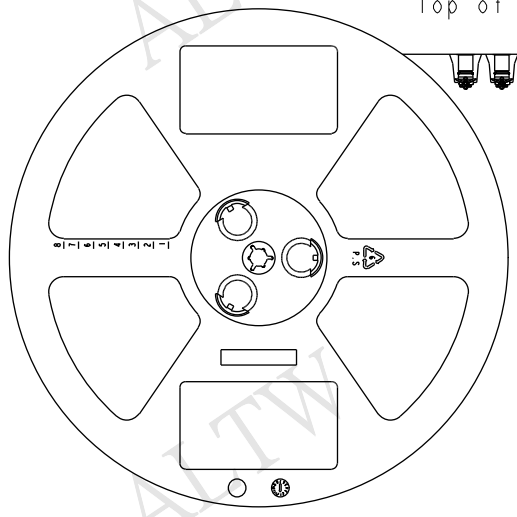
ITEM NO	DRAWN BY	DATE
	Jason Yu	2018/03/19
DWG NO	CHECKED BY	DATE
MSXS-XXPMMT-EE8XXX	Arvin Chan	2018/03/19
CUSTOMER	APPROVED BY	DATE
ALTW	Kevin Hu	2018/03/19

THIS DOCUMENT IS SUBJECT TO CHANGE WITHOUT NOTICE. IT IS CONFIDENTIAL AND A PROPERTY OF AMPHENOL LTW. DISCLOSURE TO THIRD PARTY HAS TO BE AUTHORIZED BY AMPHENOL LTW.

ALTW
CONFIDENTIAL
2018-03-19
R&D DEPT.

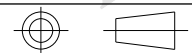


Top of Reel →



Note:
 100 PCS(Connector)/Tape&Reel Put in a Box
 5PCS(Max.) Box Put in a Carton

UNIT: mm



TITLE MI2 M CONN M PIN SMT TYPE			
SCALE 1:1	SIZE A4	SHEET 4 OF 4	
REV. B	WC-REV. A.3	QC: Inspection item	

Amphenol LTW
安費諾亮泰企業股份有限公司

ITEM NO	DRAWN BY Jason Yu	DATE 2018/03/19
DWG NO MSXS-XXPMMT-EE8XXX	CHECKED BY Arvin Chan	DATE 2018/03/19
CUSTOMER ALTW	APPROVED BY Kevin Hu	DATE 2018/03/19

X-ON Electronics

Largest Supplier of Electrical and Electronic Components

Click to view similar products for [Circular Metric Connectors](#) category:

Click to view products by [Amphenol](#) manufacturer:

Other Similar products are found below :

[600X518037X](#) [6STD15PCR99B70A](#) [8R4000A16M020](#) [8R5000A16M005](#) [1200910002](#) [1203580030](#) [1200910008](#) [1200910011](#) [1300140094](#)
[130203-0054](#) [1300140026](#) [1300150099](#) [1-3637-600-5205](#) [1612618](#) [21036836414](#) [8R4006A16M010](#) [1R3006A20M005](#) [41-40011](#) [42-00006](#)
[42-01015](#) [4-22279-4](#) [4-22281-1](#) [4-22284-9](#) [43-00113](#) [43-01203](#) [41-40013](#) [42-00008](#) [43-00343](#) [43-01026](#) [43-01162](#) [43-01173](#) [43-10000](#)
[XS3P-M421-2](#) [600X518050X](#) [8R5006A16M020](#) [8R5006A16M005](#) [8R4000A16M010](#) [6-22279-3](#) [1605332](#) [N03FA03144](#) [1300140077](#) [43-](#)
[16213](#) [43-01338](#) [XS2RD4265](#) [XS2R-D426-1](#) [XS8A-0441](#) [859RD04-103R004](#) [860RD04-113R004](#) [860RD04-213R004](#) [1-213245-2](#)