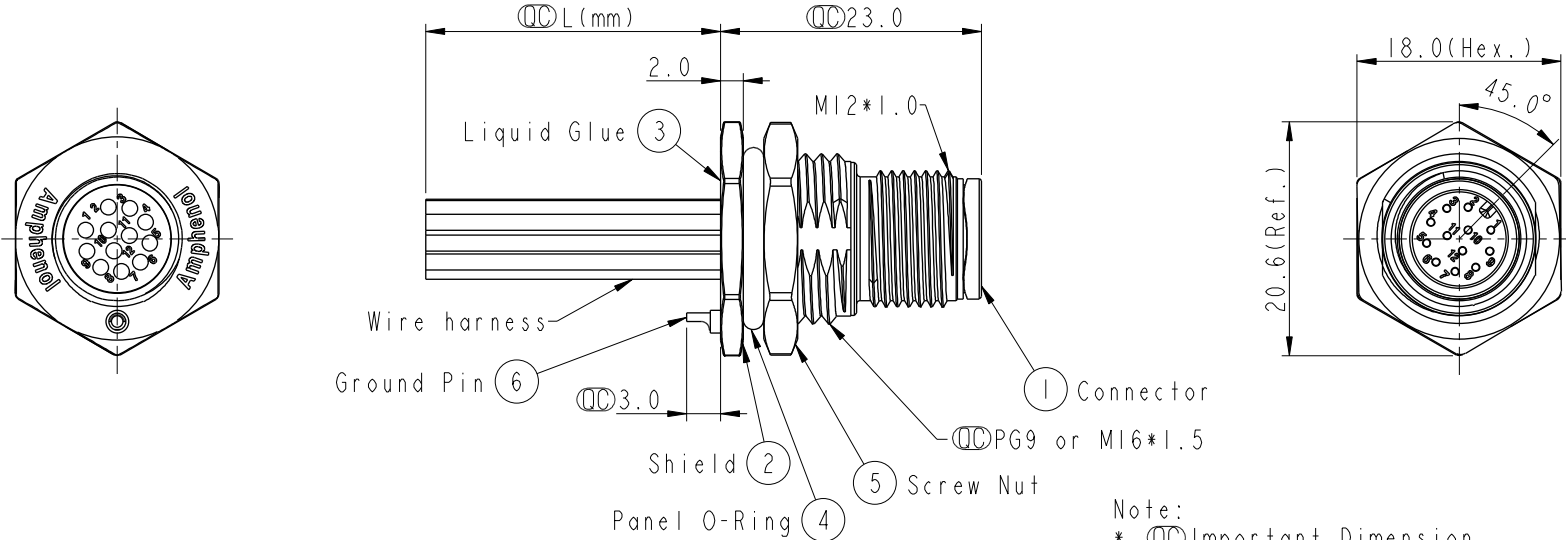
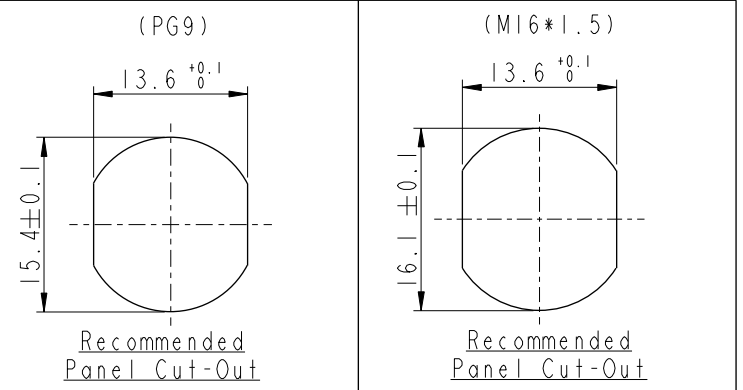
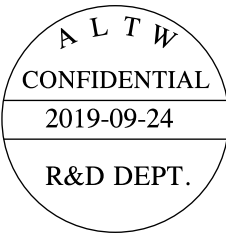


REV.	ECN NO.	DATE	SIGN	DESCRIPTION
A		2019/03/08	Allen Pan	
B	CI91681	2019/09/24	Vicky	Update Wire Tolerance



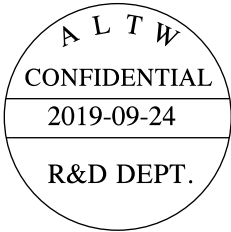
- Note:
- * \varnothing Important Dimension.
 - * Waterproof Rate: IP68, IP69K.
 - * Connector: Nylon+GF, Black.
 - * Male Pin: Copper Alloy, Gold Plated.
 - * Shield: Zinc Alloy, Nickel Plated.
 - * Screw Nut: Zinc Alloy, Nickel Plated.
 - * Panel O-Ring: Viton, Black.
 - * Wire harness: UL1061
 - * Rated Voltage: 3 & 4Pin 250V dc. or ac.
5Pin 60V dc. or ac.
6~12Pin 30V dc. or ac.
 - * Rated Current: 3~5Pin 4A
6~8Pin 2A
10~12Pin 1.5A
 - * Operating Temperature: -25~85°C
 - * For Panel Thickness Max 4.5mm.
 - * Nut Torque: 4-6 Kgf.cm.
 - * Wire harness Tolerance: 150~300 $\pm 15mm$
301~1000 $\pm 20mm$
 \triangle Over 1000 +50/-0mm



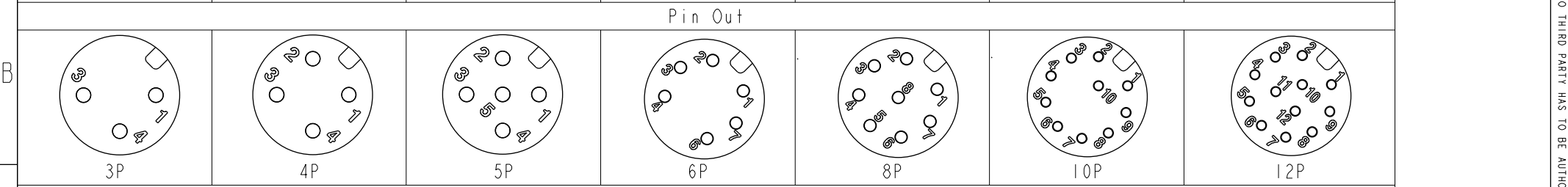
UNIT: mm		TITLE	<h1>Amphenol LTW</h1> <h2>安費諾亮泰企業股份有限公司</h2>		ITEM NO	DRAWN BY	DATE
		MI2 A-Code Male Conn. Panel Front With Wire harness Shielded			DWG NO	CHECKED BY	DATE
TOLERANCE		SCALE	SIZE	SHEET	CUSTOMER	APPROVED BY	DATE
.X ± 0.25		3:2	A4	1 OF 2	ALTW	Max	2019-09-24
.XX ± 0.1		REV.	WC-REV.	\varnothing : Inspection item			
.XXX ± 0.05		B	A.1				
ANGLES $\pm 1^\circ$							

THIS DOCUMENT IS SUBJECT TO CHANGE WITHOUT NOTICE. IT IS CONFIDENTIAL AND A PROPERTY OF Amphenol LTW. DISCLOSURE TO THIRD PARTY HAS TO BE AUTHORIZED BY Amphenol LTW.

THIS DOCUMENT IS SUBJECT TO CHANGE WITHOUT NOTICE. IT IS CONFIDENTIAL AND A PROPERTY OF Amphenol LTW. DISCLOSURE TO THIRD PARTY HAS TO BE AUTHORIZED BY Amphenol LTW.

	<p>M SAS - XX P M M X - S F 8 X XX/B</p> <p>SAS: A-Code _____ Shielded</p> <p>03: 3Pin _____ 04: 4Pin _____ 05: 5Pin _____ 06: 6Pin _____ 08: 8Pin _____ 10: 10Pin _____ 12: 12Pin _____</p> <p>P: Panel (板端) _____ M: Male Connector (公座) _____ M: Male Pin (公Pin) _____ C: Crimp Type (打端式) _____ S: Solder Type (焊接式) _____</p>	<p>15: 150mm 20: 200mm 95: 950mm Cable Pitch Unit: 50mm</p> <p>A0: 1000mm A5: 1500mm Cable Pitch Unit: 100mm Wire Length(L): 150~1500mm</p> <p>B: PG9 C: M16*1.5</p> <p>8: IP68/69K (防水等級68/69K)</p> <p>F: Front Fasten (前鎖式/Enclosure Rear Mount) S: Screw (螺紋式)</p>			<table border="1" style="width:100%; border-collapse: collapse;"> <tr><td>12P</td><td rowspan="10" style="text-align: center; vertical-align: middle;">UL1061</td><td rowspan="10" style="text-align: center; vertical-align: middle;">26</td><td>MSAS-12PMMS-SF8CXX</td></tr> <tr><td>10P</td><td>MSAS-10PMMS-SF8CXX</td></tr> <tr><td>8P</td><td>MSAS-08PMMS-SF8CXX</td></tr> <tr><td>6P</td><td>MSAS-06PMMS-SF8CXX</td></tr> <tr><td>5P</td><td>MSAS-05PMMS-SF8CXX</td></tr> <tr><td>4P</td><td>MSAS-04PMMS-SF8CXX</td></tr> <tr><td>3P</td><td>MSAS-03PMMS-SF8CXX</td></tr> <tr><td>12P</td><td>MSAS-12PMMS-SF8BXX</td></tr> <tr><td>10P</td><td>MSAS-10PMMS-SF8BXX</td></tr> <tr><td>8P</td><td>MSAS-08PMMS-SF8BXX</td></tr> <tr><td>6P</td><td>MSAS-06PMMS-SF8BXX</td></tr> <tr><td>5P</td><td>MSAS-05PMMS-SF8BXX</td></tr> <tr><td>4P</td><td>MSAS-04PMMS-SF8BXX</td></tr> <tr><td>3P</td><td>MSAS-03PMMS-SF8BXX</td></tr> <tr><td>Contacts</td><td>Wire harness</td><td>AWG</td><td>Item No.</td></tr> </table>	12P	UL1061	26	MSAS-12PMMS-SF8CXX	10P	MSAS-10PMMS-SF8CXX	8P	MSAS-08PMMS-SF8CXX	6P	MSAS-06PMMS-SF8CXX	5P	MSAS-05PMMS-SF8CXX	4P	MSAS-04PMMS-SF8CXX	3P	MSAS-03PMMS-SF8CXX	12P	MSAS-12PMMS-SF8BXX	10P	MSAS-10PMMS-SF8BXX	8P	MSAS-08PMMS-SF8BXX	6P	MSAS-06PMMS-SF8BXX	5P	MSAS-05PMMS-SF8BXX	4P	MSAS-04PMMS-SF8BXX	3P	MSAS-03PMMS-SF8BXX	Contacts	Wire harness	AWG	Item No.
12P	UL1061	26	MSAS-12PMMS-SF8CXX																																				
10P			MSAS-10PMMS-SF8CXX																																				
8P			MSAS-08PMMS-SF8CXX																																				
6P			MSAS-06PMMS-SF8CXX																																				
5P			MSAS-05PMMS-SF8CXX																																				
4P			MSAS-04PMMS-SF8CXX																																				
3P			MSAS-03PMMS-SF8CXX																																				
12P			MSAS-12PMMS-SF8BXX																																				
10P			MSAS-10PMMS-SF8BXX																																				
8P			MSAS-08PMMS-SF8BXX																																				
6P	MSAS-06PMMS-SF8BXX																																						
5P	MSAS-05PMMS-SF8BXX																																						
4P	MSAS-04PMMS-SF8BXX																																						
3P	MSAS-03PMMS-SF8BXX																																						
Contacts	Wire harness	AWG	Item No.																																				

	5	--	5	--	5	Gray	灰	5	8	--	8	Red	紅	12	--	12	Red/Blue	紅/藍
	4	Black	Black	Black	4	Black	黑	4	7	Blue	藍	7	Blue	Blue	Blue	Blue	Gray/Pink	灰/粉
	3	Blue	Blue	Blue	3	Blue	藍	3	6	Pink	粉	6	Pink	Pink	Pink	Pink	Violet	紫
	2	--	White	White	2	White	白	2	5	--	--	5	Gray	Gray	Gray	Gray	Black	黑
	1	Brown	Brown	Brown	1	Brown	棕	1	4	Yellow	黃	4	Yellow	Yellow	Yellow	Yellow	Red	紅
									3	Green	綠	3	Green	Green	Green	Green	Blue	藍
									2	Brown	棕	2	Brown	Brown	Brown	Brown	Blue	藍
									1	White	白	1	White	White	White	White	Pink	粉
																	Gray	灰
																	Yellow	黃
																	Green	綠
																	Black	黑
																	Black	黑
																	Red	紅
																	Red	紅
																	Blue	藍
																	Blue	藍
																	Pink	粉
																	Gray	灰
																	Yellow	黃
																	Yellow	黃
																	Green	綠
																	Green	綠
																	Brown	棕
																	Brown	棕
																	White	白
																	White	白



Pin Assignments Front View

UNIT: mm 	TITLE M12 A-Code Male Conn. Panel Front With Wire harness Shielded	<h1 style="margin: 0;">Amphenol LTW</h1> <p style="margin: 0;">安費諾亮泰企業股份有限公司</p>	ITEM NO MSAS-XXPMX-SF8XXX	DRAWN BY Vicky	DATE 2019-09-24
TOLERANCE .X ±0.25 .XX ±0.1 .XXX ±0.05 ANGLES ±1°	SCALE 3:2 SIZE A4 SHEET 2 OF 2	REV. B WC-REV. A.1  Inspection item	CUSTOMER ALTW	CHECKED BY Rita	DATE 2019-09-24
				APPROVED BY Max	DATE 2019-09-24

X-ON Electronics

Largest Supplier of Electrical and Electronic Components

Click to view similar products for [Circular Metric Connectors](#) category:

Click to view products by [Amphenol](#) manufacturer:

Other Similar products are found below :

[600X518037X](#) [6STD15PCR99B70A](#) [8R4000A16M020](#) [8R5000A16M005](#) [1200910002](#) [1203580030](#) [1200910008](#) [1200910011](#) [1300140094](#)
[130203-0054](#) [1300140026](#) [1300150099](#) [1-3637-600-5205](#) [1612618](#) [21036836414](#) [8R4006A16M010](#) [1R3006A20M005](#) [41-40011](#) [42-00006](#)
[42-01015](#) [4-22279-4](#) [4-22281-1](#) [4-22284-9](#) [43-00113](#) [43-01203](#) [41-40013](#) [42-00008](#) [43-00343](#) [43-01026](#) [43-01162](#) [43-01173](#) [43-10000](#)
[XS3P-M421-2](#) [600X518050X](#) [8R5006A16M020](#) [8R5006A16M005](#) [8R4000A16M010](#) [6-22279-3](#) [1605332](#) [N03FA03144](#) [1300140077](#) [43-](#)
[16213](#) [43-01338](#) [XS2RD4265](#) [XS2R-D426-1](#) [XS8A-0441](#) [859RD04-103R004](#) [860RD04-113R004](#) [860RD04-213R004](#) [1-213245-2](#)